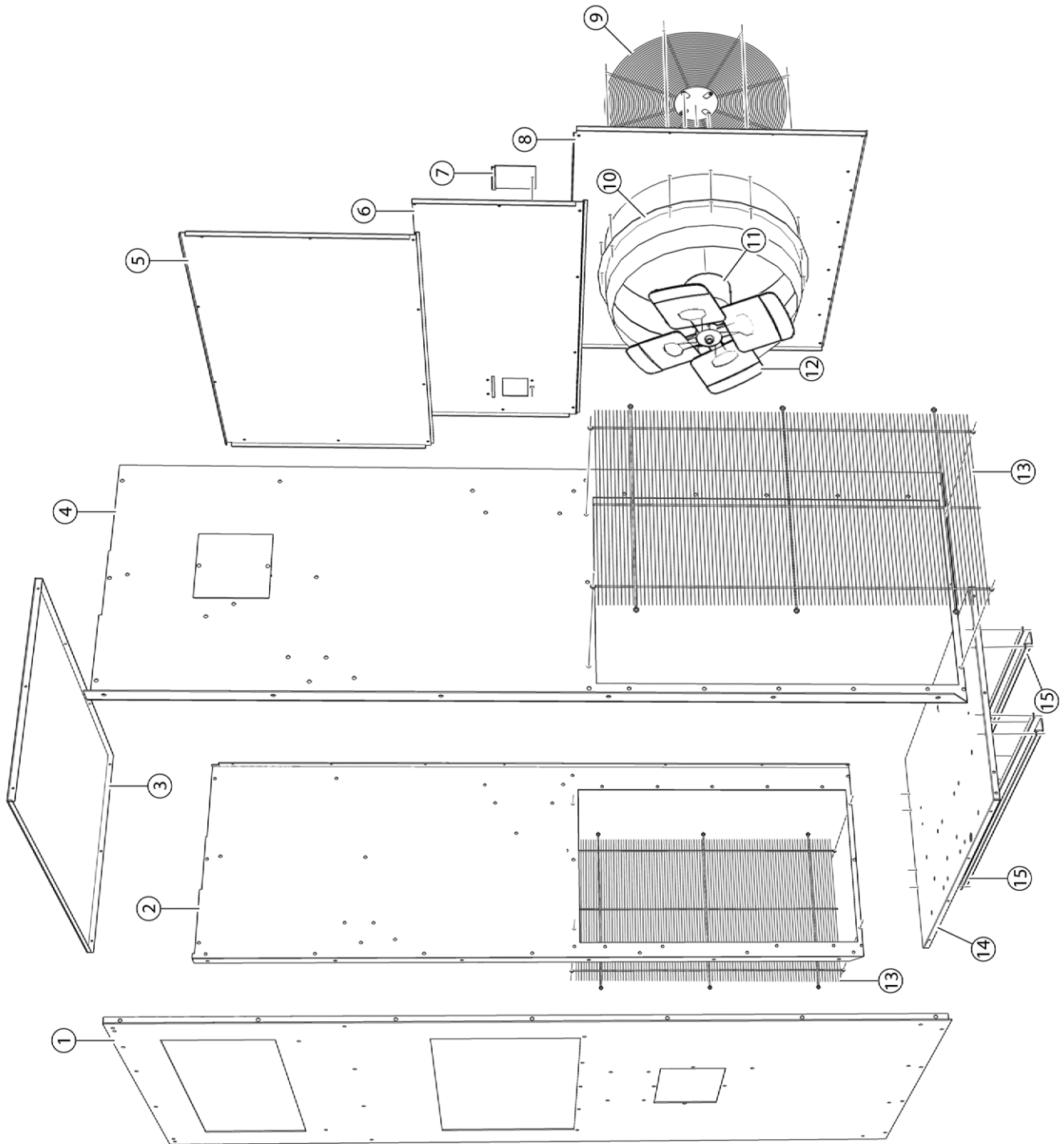


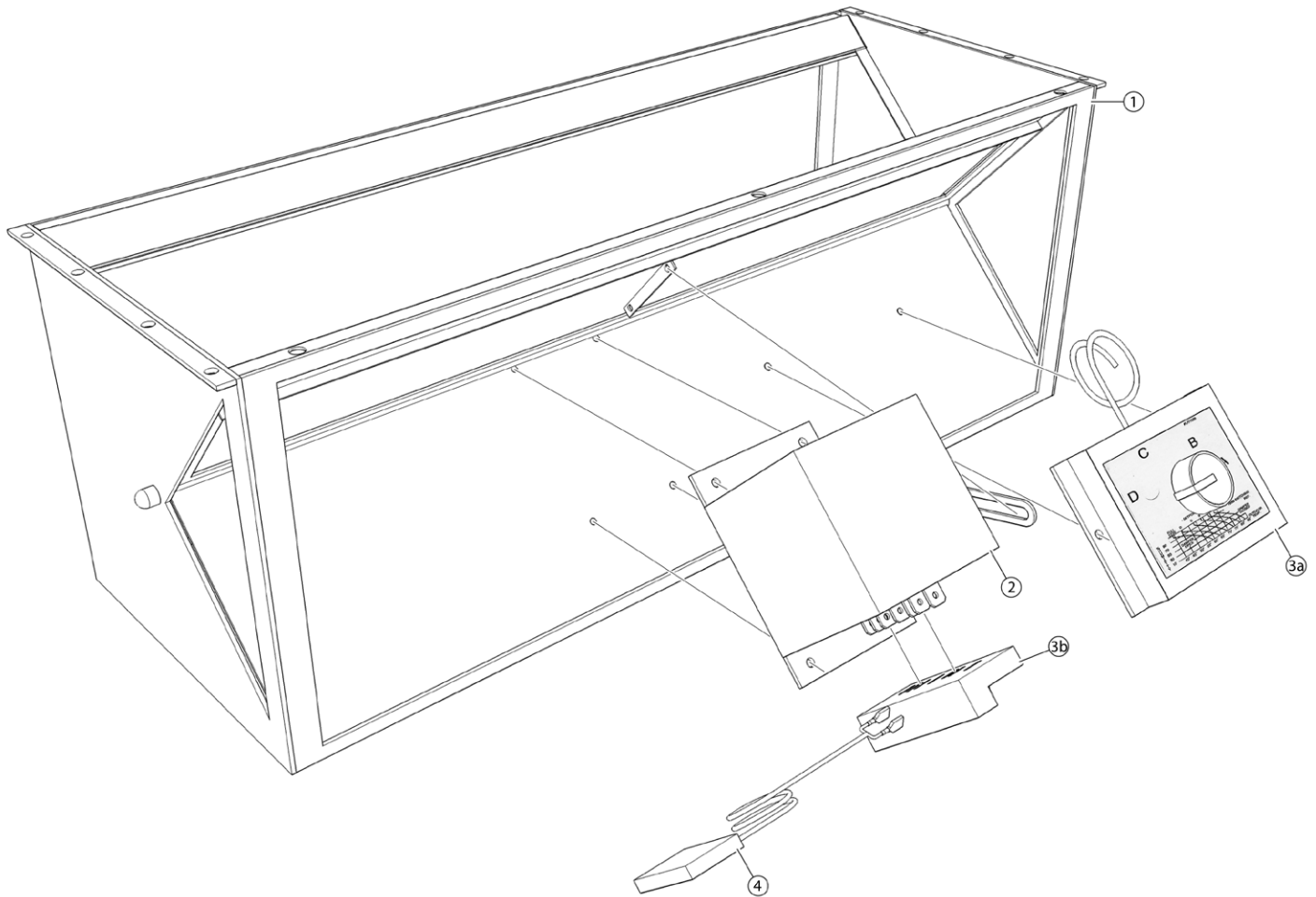
MARVAIR® COMPAC® AIR CONDITIONERS
MODELS AVP72AC AND AVPA72AC EXPLODED VIEW PARTS ID
EXTERIOR SHEET METAL (OUTER PANELS)



MARVAIR® COMPAC® AIR CONDITIONERS
MODELS AVP72AC AND AVPA72AC EXPLODED VIEW PARTS ID
EXTERIOR SHEET METAL (OUTER PANELS)

No.	Description	Part Number	
		AVP72AC	AVPA72AC
1	Panel, Back (Galvanized)	M/04443SP	
2	Right Side Panel, ComPac II	M/04465XXSP	
	Right Side Panel, ComPac I	M/04467XXSP	
3	Top Panel	M/04474XXSP	
4	Left Side Panel, ComPac II	M/04466XXSP	
	Left Side Panel, ComPac I	M/04468XXSP	
5	Top Front Door	M/04473XXSP	
6	Middle Front Door, ComPac II	M/05492XXSP	
	Middle Front Door, ComPac I	M/05491XXSP	
7	Circuit Breaker Access Cover	M/01368XXSP	
8	Front Door Bottom	M/04469XXSP	
9	Outdoor Fan Guard	30144	
10	Venturi for Outdoor Fan	80476	
11	Outdoor Fan Motor	40051	
12	Outdoor Fan Blade	30143	
13	Outdoor Air Side Grille	81536	
14	Base Pan	M/04464SP	M/04207SP
15	Base Pan Runner	M/04207SP	
XX is for color. BG=Beige, GY=Gray, WH=White, BR=Brown, AF=Aluminum, SS=Stainless steel			

MARVAIR® COMPAC® AIR CONDITIONERS
MODELS AVP72AC AND AVPA72AC EXPLODED VIEW PARTS ID
ECONOMIZER ASSEMBLY

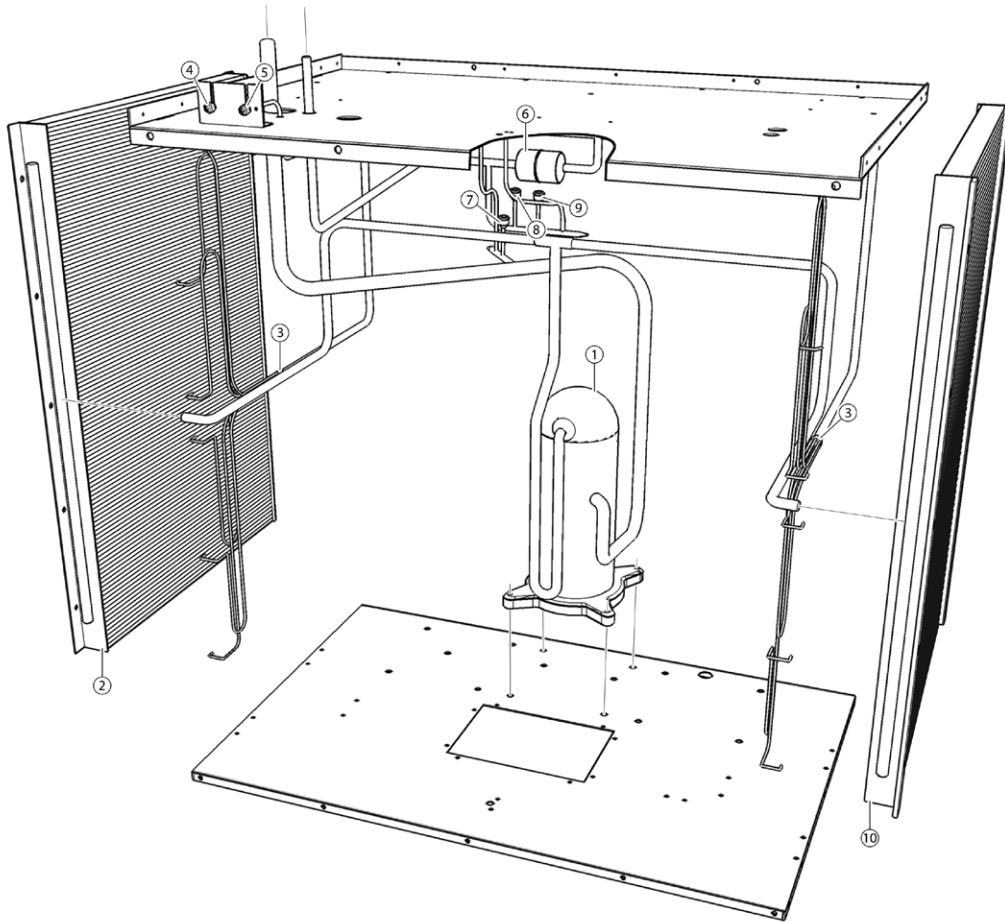


No.	Description	Part Number	
		AVP72AC	AVPA72AC
1	Economizer Assembly*	N/A	
2	Motor, Economizer Damper	40101	
3a	H2050 Enthalpy Controller	70230	
3b	W7459A Solid State Economizer Logic Module	50011	
4	Enthalpy Sensor for W7459 Solid State Economizer Logic Module	70571	

*Cannot be field installed.

The W7459A solid state economizer logic module replaces the H2050 enthalpy controller. The W7459A solid state economizer logic module requires a enthalpy sensor, Marvail part #70571. If the H2050 controller is replaced, both the W7459A solid state economizer logic module and the 70571 enthalpy sensor must be ordered. The damper motor, part no. 40101, can be used with either the solid state economizer logic module or the H2050 enthalpy controller.

MARVAIR® COMPAC® AIR CONDITIONERS
MODELS AVP72AC AND AVPA72AC EXPLODED VIEW PARTS ID
COMPRESSOR & OUTDOOR COIL (OUTDOOR COIL)



No.	Description	Part Number	
		AVP72AC	AVPA72AC
1	Compressor, 208/230v. 1ø, 60 Hz	P/10005	10381
	Compressor, 208/230v. 3ø, 60 Hz	10178	10382
	Compressor, 460v. 3ø, 60 Hz	10179	10383
2	Outdoor Coil (Left Hand)	60071	60149
3	Distributor & Orifice	20239 (.094)	20261 (.088)
4	High Pressure Refrigerant Access Valve	20034 ¹	
5	Low Pressure Refrigerant Access Valve	20034 ¹	
6	Filter Drier	70425	
7	Low Pressure Switch	70080	70572
8	High Pressure Switch	70050	70342
9	Low Ambient Fan Cycle Control ²	S/03998	S/07435
10	Outdoor Coil (Right Hand)	60071	60150
†	Transformer, 460v. to 230v. Only on 460v. Units	P/50008	

¹Cap for Valve is P/N 20234

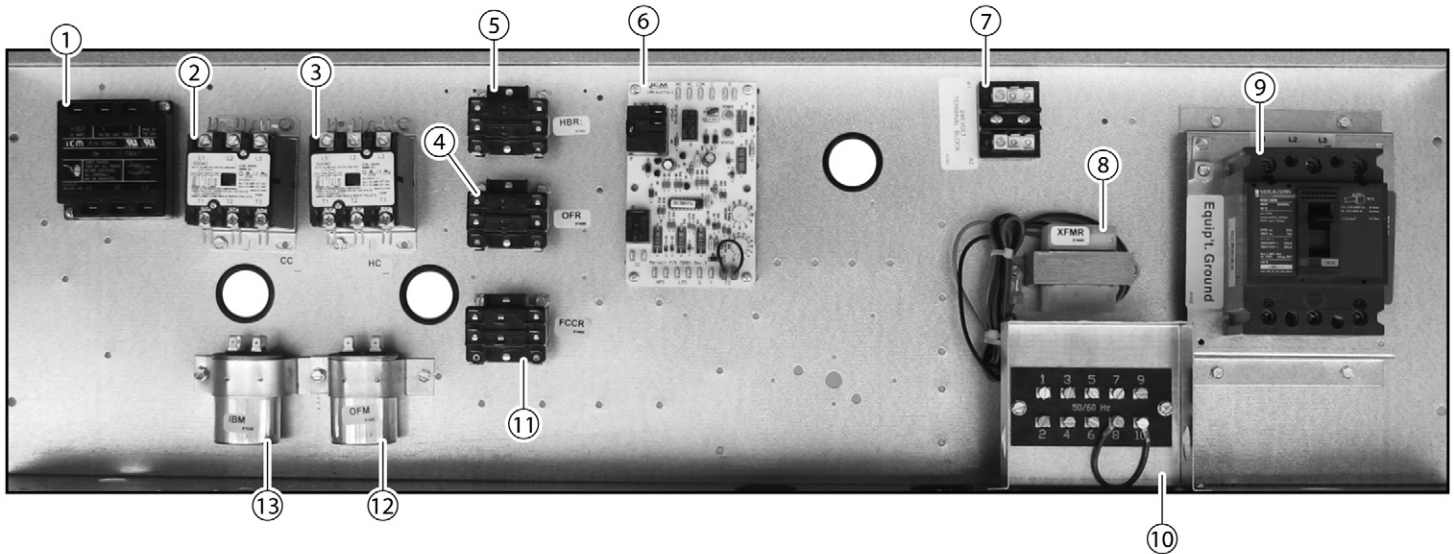
²Field Replacement of the Factory Installed Switch. Includes Swivel Tee.

[†]Not Shown

MARVAIR® COMPAC® AIR CONDITIONERS

MODELS AVP72AC AND AVPA72AC EXPLODED VIEW PARTS ID

ELECTRICAL CONTROL BOX



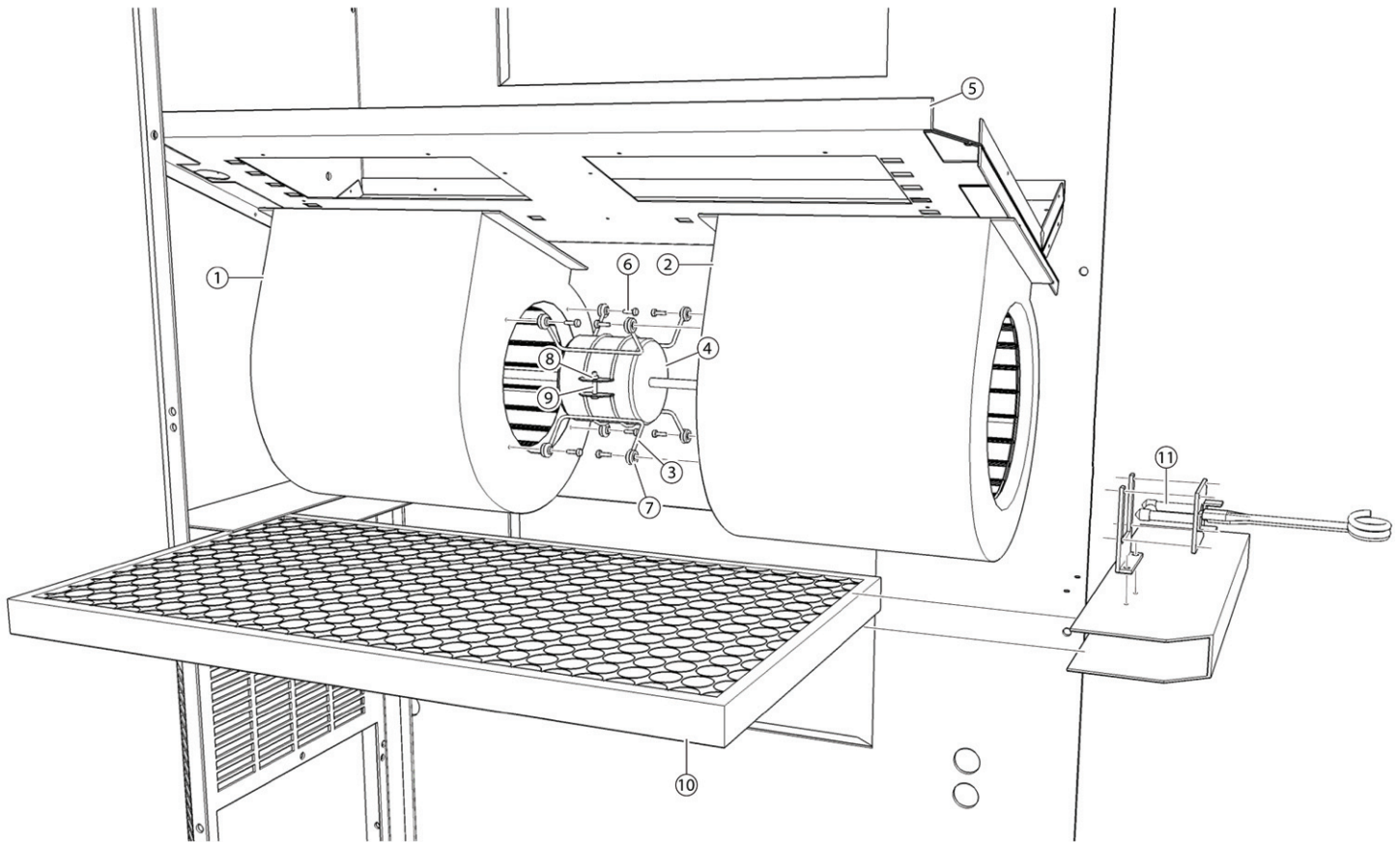
No.	Description	Part Number	
		AVP72AC	AVPA72AC
1	Phase Monitor (3Ø Units Only)	20040	
2	Compressor Contactor for all 1Ø Units	50030	
	Compressor Contactor for all 3Ø Units	50040	
3	Heat Contactor	See Electric heater, contactor and thermal limit chart	
4	Outdoor Fan Relay	50205 ¹	
5	Heater Blower Relay	50205	
6	Air Conditioner Circuit Board	70281	
7	24 Volt Terminal Board	80733	
8	24 VAC Transformer	50141	
9	Disconnect 240 V. 1Ø & 220 V. 1Ø	70178	
	Disconnect 240 V. 3Ø & 220 V. 3Ø	70183	
	Disconnect 460 V. 3Ø (Cutler Hammer)	70299	
	Disconnect 460 V. 3Ø (Merlin Gerin p/n NENL34040)	70435	
10	Low Voltage Terminal Board	80786	
11	Fan Cycle Control Relay	P/50182	
12	Outdoor Fan Motor Capacitor	50360	
13	Indoor Blower Motor Capacitor	50360	
†	Mixed Air Relay (ComPac II Units Only)	50164	
†	Enthalpy Controller (ComPac II Units Only)	70230	

Note: Due to variety of options, the control box in your unit may be different from the one shown.
¹460v. Units Only
[†]Not Shown

MARVAIR® COMPAC® AIR CONDITIONERS
MODELS AVP72AC AND AVPA72AC EXPLODED VIEW PARTS ID
ELECTRIC HEATER, HEATER CONTACTOR & THERMAL LIMITS

KW	Volts/Phase	Heater Element	Dual Limit Control		Single Function Limit Switch		Heater Contactor
		Part No.	QTY	Part No.	QTY	Part No.	Part No.
5	240/1	70412	1	70006	1	70005	50020
10	240/1	70411	2	70006	1	70005	50030
15	240/1	70410	3	70006	1	70005	50040
9	240/3	70445	3	70006	1	70005	50040
15	240/3	70410	3	70006	1	70005	50040
9	460/3	70441	3	70006	1	70005	50040
15	460/3	70443	3	70006	1	70005	50040

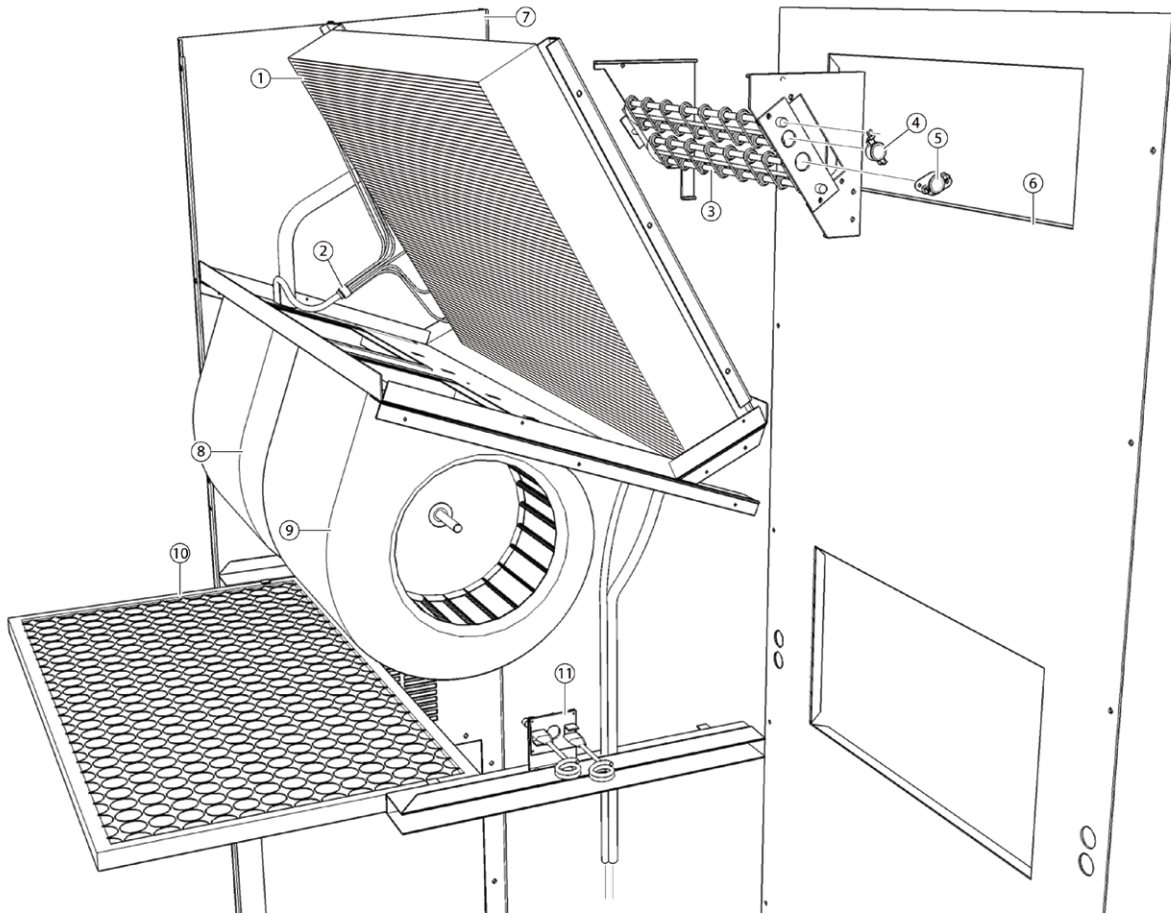
MARVAIR® COMPAC® AIR CONDITIONERS
MODELS AVP72AC AND AVPA72AC EXPLODED VIEW PARTS ID
INDOOR BLOWER (BLOWER FILTER)



No.	Description	Part Number	
		AVP72AC	AVPA72AC
1	Left Hand Blower Wheel and Scroll		30025
2	Right Hand Blower Wheel and Scroll		30024
3	Blower Motor Bracket		80428
4	Indoor Blower Motor		40046
5	Drain Pan		M/05700SP
6	Bolt to Secure Blower Bracket to Housing		90736
7	Grommet for Blower Bracket		80429
8	Nut for Motor Bracket Clamp		90610
9	Bolt for Motor Bracket Clamp		90550
10	Filter, 2" (2 Per Unit)		81257
11	Mixed Air Sensor*		70229

*ComPac II air conditioners with factory installed economizer only.

MARVAIR® COMPAC® AIR CONDITIONERS
MODELS AVP72AC AND AVPA72AC EXPLODED VIEW PARTS ID
INDOOR COIL, BLOWER & HEATER (INDOOR COIL BLOWER)



No.	Description	Part Number	
		AVP72AC	AVPA72AC
1	Evaporator Coil	60027	
2	Distributor & Orifice	20239 (.094)	20261 (.088)
3	Heater	See Heater Chart	
4	Switch, Dual Function Thermal Cut-Out Switch	70006	
5	Switch, Single Function Thermal Cut-Out Switch	70005	
6	Back Panel	M/04443SP	
7	Left Side Panel, ComPac II	M/04466XXSP	
	Left Side Panel, ComPac I	M/04468XXSP	
8	Blower Wheel and Housing, Left Hand	30025	
9	Blower Wheel and Housing, Right Hand	30024	
10	Filter, 2" (2 Per Unit)	81257	
11	Mixed Air Sensor*	70229	

*ComPac II units with Economizer only.