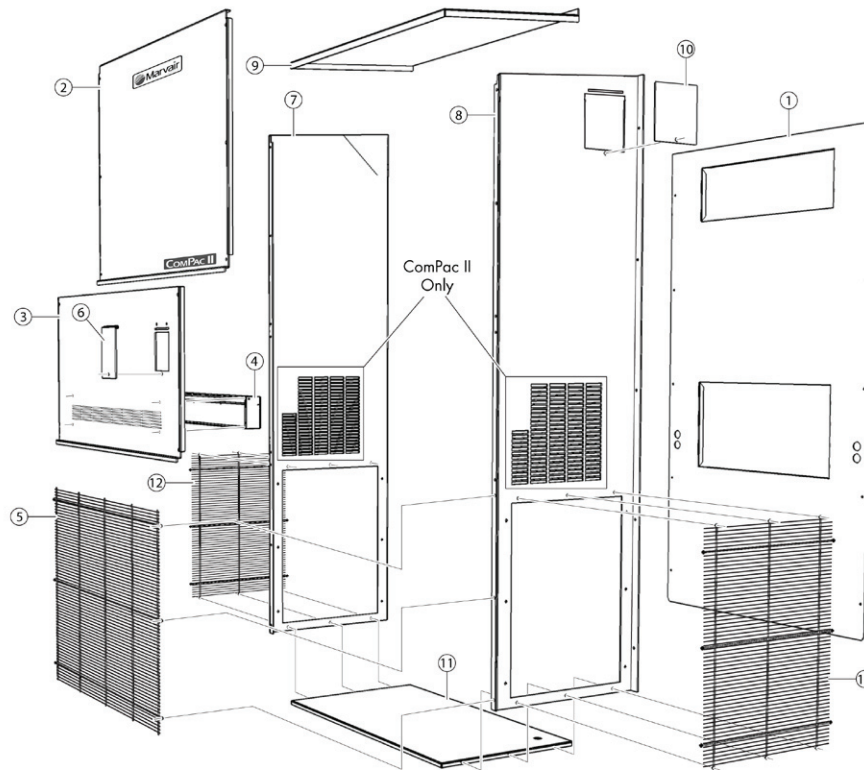


MARVAIR® COMPAC® AIR CONDITIONERS

MODELS AVPA42-48-60 & AVPSA42-48-60 EXPLODED VIEW PARTS ID

EXTERIOR SHEET METAL (OUTER PANELS)



No.	Description	Part Number		
		AVPA/AVPSA42	AVPA/AVPSA48	AVPA/AVPSA60
1	Panel, Back (Galvanized)	M/04996-SP		
2	Door, Front Top	M/01294-XXSP		
3	Door, Front Bottom w/Slots ^{1,2} (shown)	M/06745-XXSP		
	Door, Front Bottom w/Ext. Fresh Air Hood (not shown)	M/01295-XXSP		
4	Fresh Air Hood - Interior ^{1,3} (shown)	06801-XXSP		
	Fresh Air Hood & Damper- Exterior (not shown)	02109-XXSP		
5	Guard, Condenser Coil	P/81397		
6	Door, Disconnect Access	M/01368-XXSP		
7	Panel, Left Side - ComPac I	M/01368-XXSP		
	Panel, Left Side - ComPac II	M/01293-XXSP		
8	Panel, Right Side - ComPac I	M/01557-XXSP		
	Panel, Right Side - ComPac II	M/01292-XXSP		
9	Panel, Top	M/01291-XXSP		
10	Door, Heater Access	M/01324-XXSP		
11	Base Pan	M/01680-XXSP		
12	Screen, Side	P/81396		

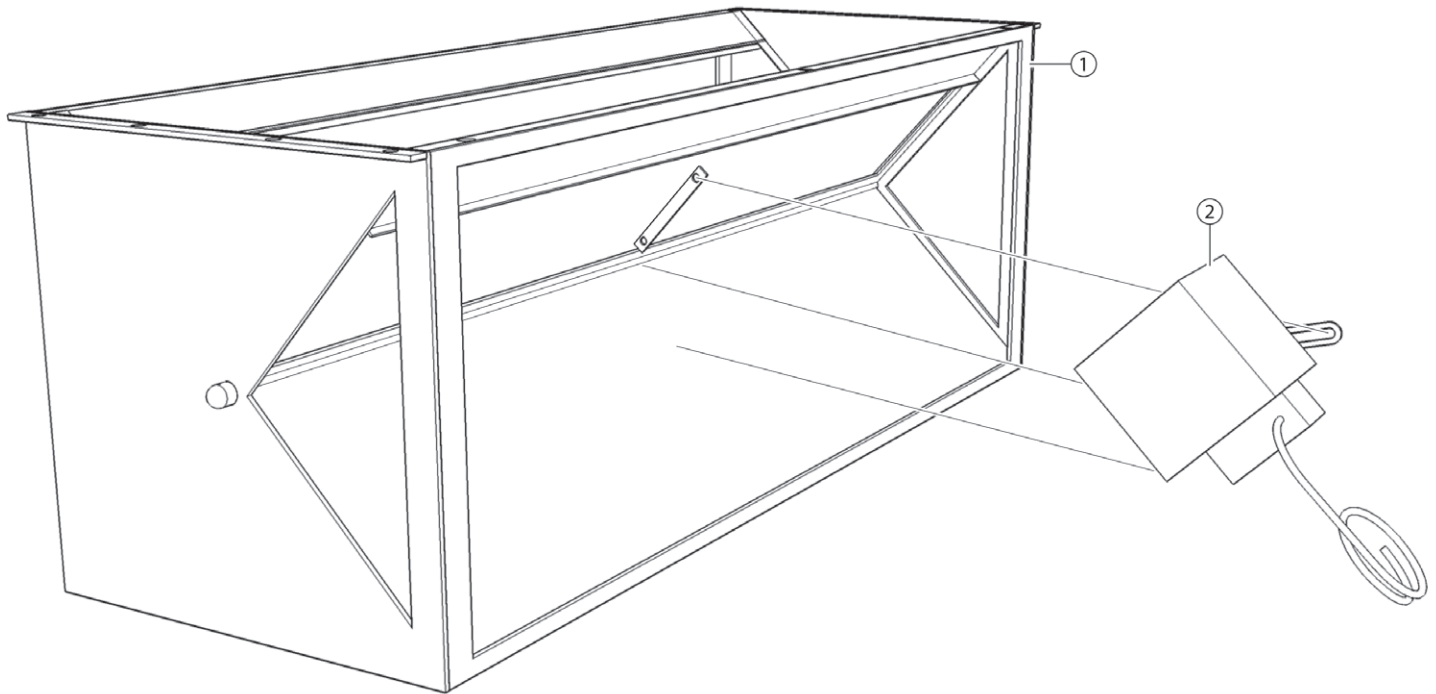
XX is for color. BG=Beige, GY=Gray, WH=White, BR=Brown, AF=Aluminum, SS=Stainless steel

¹For models with the "N" ventilation option

²For models with the "Y", "Z", "C" and "B" ventilation option. These units do not require an internal fresh air hood.

³Models with the "Y", "Z", "C" and "B" ventilation option do not require an internal fresh air hood.

MARVAIR® COMPAC® AIR CONDITIONERS
MODELS AVPA42-48-60 & AVPSA42-48-60 EXPLODED VIEW PARTS ID
ECONOMIZER ASSEMBLY (COMPAC II A/C ONLY)

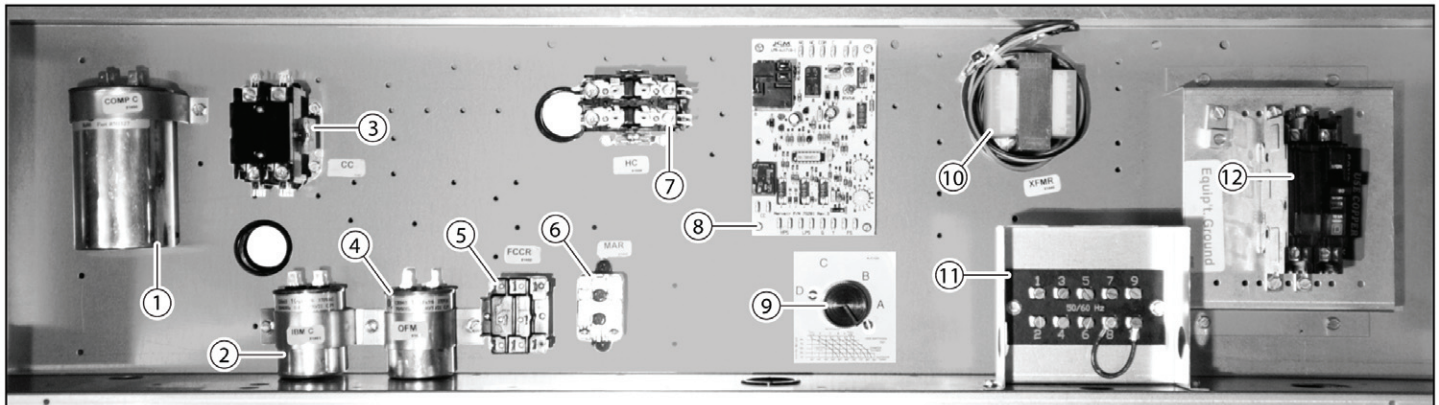


No.	Description	Part Number		
		AVPA/AVPSA42	AVPA/AVPSA48	AVPA/AVPSA60
1	Economizer Assembly*	S/03492		
2	Motor, Economizer Damper	40101		
*Cannot be field installed.				

MARVAIR® COMPAC® AIR CONDITIONERS

MODELS AVPA42-48-60 & AVPSA42-48-60 EXPLODED VIEW PARTS ID

ELECTRICAL CONTROL BOX



No.	Description	Part Number		
		AVPA/AVPSA42	AVPA/AVPSA48	AVPA/AVPSA60
1	Compressor Capacitor 208/230 V. 1Ø for Copeland 1-Stage Compressors	50321	50327	50159
	Compressor Capacitor 208/230 V. 1Ø for 2-Stage Scroll Compressors	50321	50321	50315 (2)
2	Indoor Blower Motor Capacitor (IBMC)	50360		
3	Compressor Contactor for 1-Stage 1Ø Units	50020	50327	50030
	Compressor Contactor for 1-Stage 3Ø Units	50040		
	Compressor Contactor for 2-stage 1Ø Units	50020	50030	50030
	Compressor Contactor for 2-stage 3Ø Units	50040		
4	Outdoor Fan Motor Capacitor - Standard	50240		
5	Fan Cycle Control Relay (FCCR)	P/50182		
6	Mixed Air Relay* (MAR)	50164		
7	Heat Contactor	See Electric Heater, Contactor, and Thermal Limit Chart**		
8	Air Conditioner Circuit Board	70281		
9	H205 Enthalpy Controller*	70230		
10	24 Volt Transformer (XFMR)	50141		
11	Low Voltage Terminal Board	80786		
12	Disconnect 240 V. 1Ø & 220 V. 1Ø	70178		
	Disconnect 240 V. 3Ø & 220 V. 3Ø	70183		
	Disconnect 460 V. 3Ø (Cutler Hammer)	70299		
	Disconnect 460 V. 3Ø (Merlin Gerin P/n NENL34040)	70435		

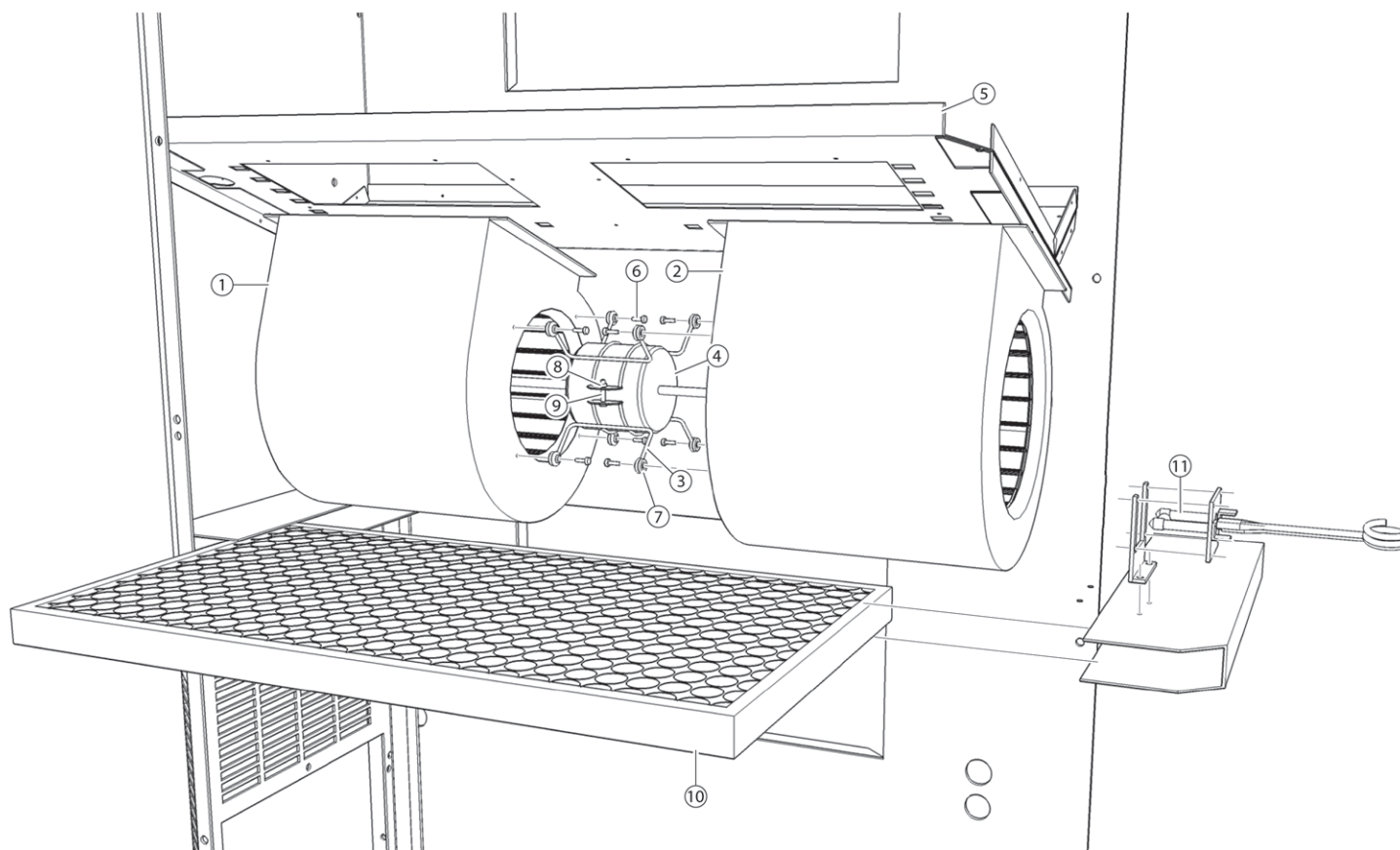
*ComPac II air conditioners with factory installed economizer only.

**Electric Heater, Contactor & Thermal Limit Chart located on following page.

MARVAIR® COMPAC® AIR CONDITIONERS
MODELS AVPA42-48-60 & AVPSA42-48-60 EXPLODED VIEW PARTS ID
ELECTRIC HEATER, HEATER CONTACTOR & THERMAL LIMITS

KW	Volts	Heater Element	Dual Limit Control		Single Function Limit Switch		Heater Contactor
		Part No.	QTY	Part No.	QTY	Part No.	Part No.
4	240	70413	1	70006	1	70005	50020
5	240	70412	1	70006	1	70005	50020
6	240	70444	3	70006	1	70005	50040
8	240	70414	2	70006	1	70005	50030
9	240	70445	3	70006	1	70005	50040
10	240	70411	2	70006	1	70005	50030
12	240	70446	3	70006	1	70005	50040
15	240	70410	3	70006	1	70005	50040
6	460	70440	3	70006	1	70005	50040
9	460	70441	3	70006	1	70005	50040
12	460	70442	3	70006	1	70005	50040
15	460	70443	3	70006	1	70005	50040

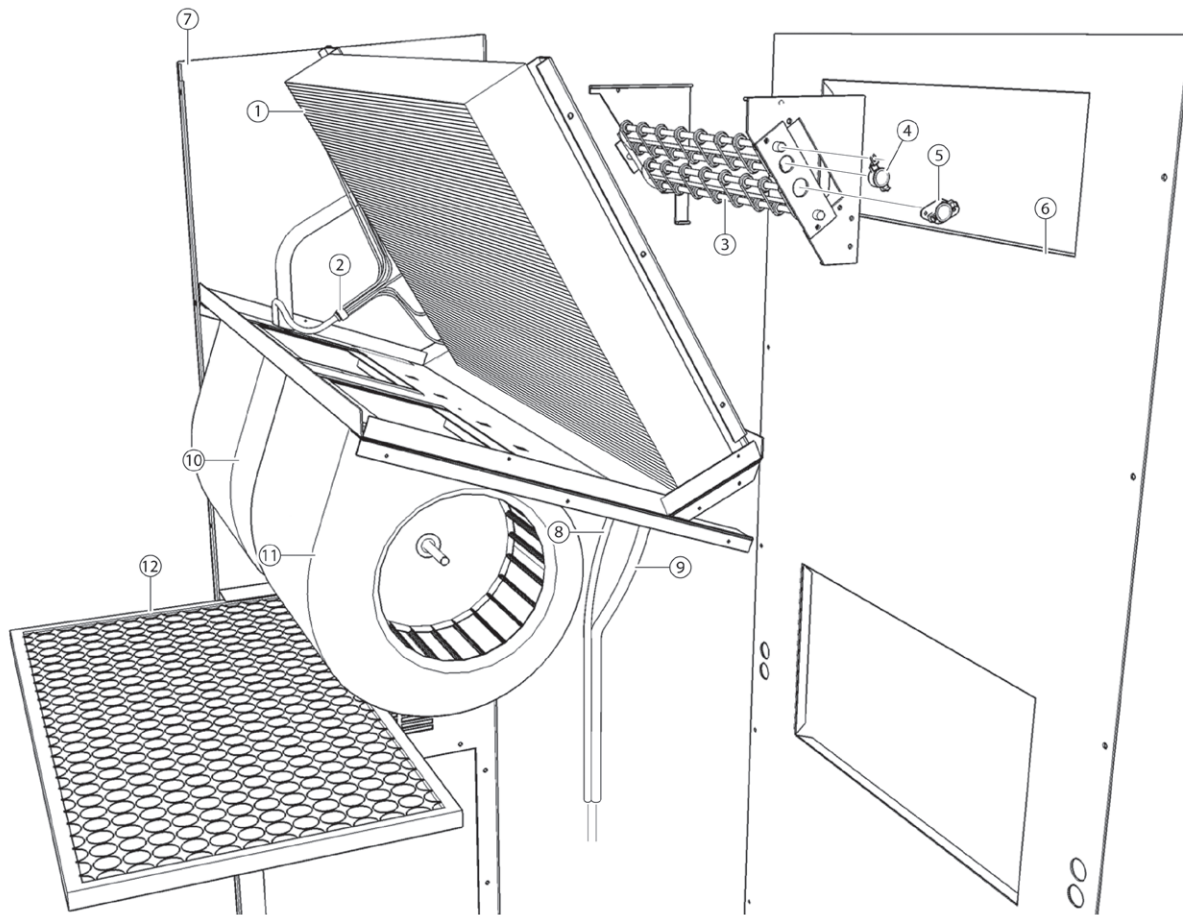
MARVAIR® COMPAC® AIR CONDITIONERS
MODELS AVPA42-48-60 & AVPSA42-48-60 EXPLODED VIEW PARTS ID
INDOOR BLOWER (BLOWER FILTER)



No.	Description	Part Number		
		AVPA/AVPSA42	AVPA/AVPSA48	AVPA/AVPSA60
1	Left Hand Blower Wheel and Housing	30090		
2	Right Hand Blower Wheel and Housing	30092		
3	Blower Motor Bracket	80428		
4	Indoor Blower Motor	40099	40099	40046
5	Drain Pan	02969SP	02930SP	02930SP
6	Bolt to Secure Blower Bracket to Housing	90736		
7	Grommet for Blower Bracket	80429		
8	Nut for Motor Bracket Clamp	90610		
9	Bolt for Motor Bracket Clamp	90550		
10	Filter, 2"	80162		
11	Mixed Air Sensor*	70229		
	Blower Assembly Includes Motor, Motor Bracket, Left Hand Blower Wheel and Housing and Right Hand Blower Wheel and Housing	S/03464SP	S/03464SP	S/03677SP

*ComPac II air conditioners with factory installed economizer only.

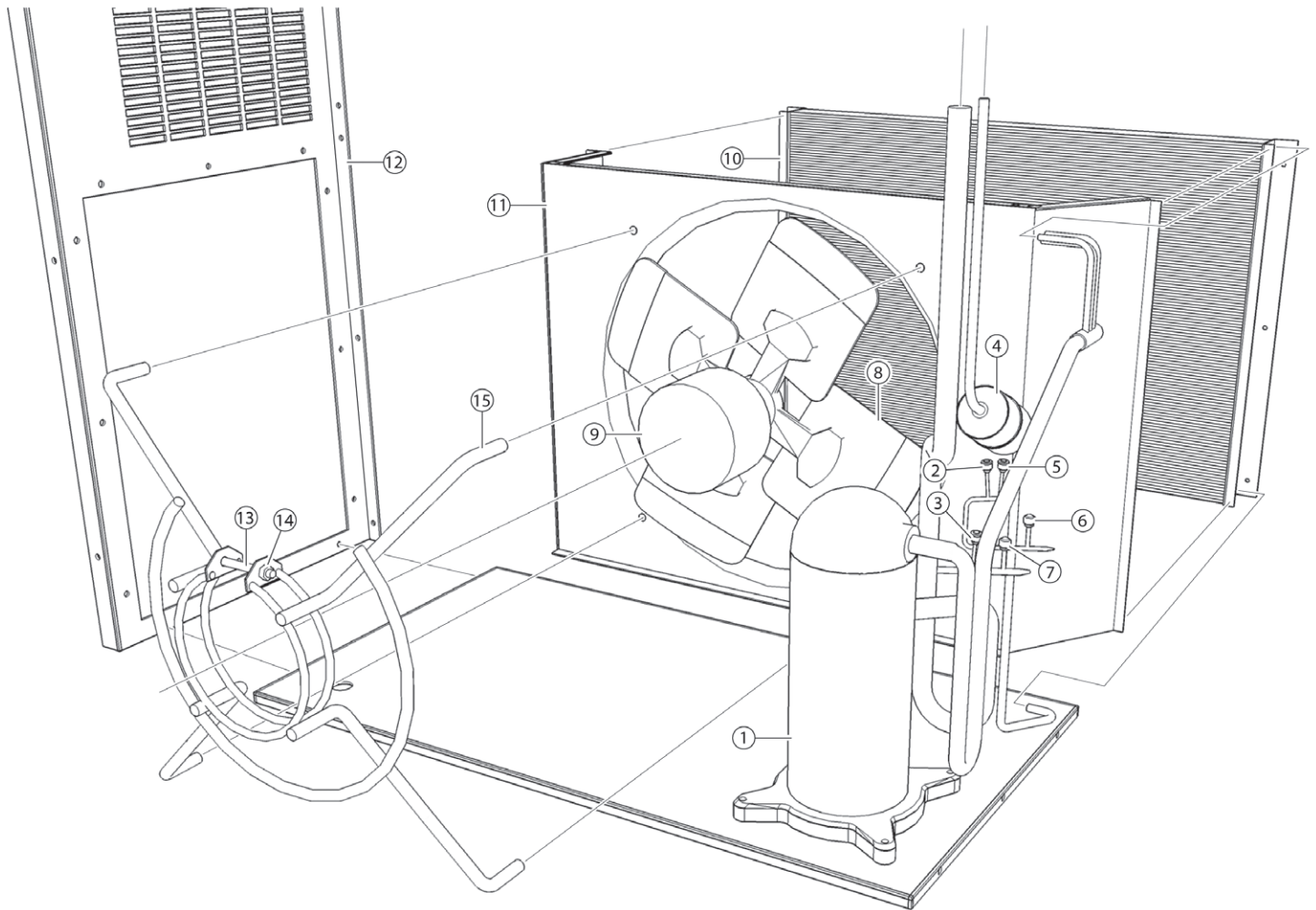
MARVAIR® COMPAC® AIR CONDITIONERS
MODELS AVPA42-48-60 & AVPSA42-48-60 EXPLODED VIEW PARTS ID
INDOOR COIL, BLOWER & HEATER (INDOOR COIL BLOWER)



No.	Description	Part Number		
		AVPA/AVPSA42	AVPA/AVPSA48	AVPA/AVPSA60
1	Coil, Indoor	60061	60061	60061
2	Distributor Assembly (1-stage compressor)	20033	20033	20033
	Orifice (1-stage compressor)	20093 (.072)	20081 (.076)	20062 (.080)
	Distributor Assembly (2-stage compressor)	20386	20387	20387
	Thermal Expansion Valve-TXV (2-stage compressor)	20366	20385	20385
3	Heater	See Heater Chart		
4	Switch, Dual Function Thermal Cut-Out Switch	70006		
5	Switch, Single Function Thermal Cut-Out Switch	70005		
6	Panel, Back (Galvanized)	M/04996-SP		
7	Panel, Left - ComPac I	N/01558-XXSP		
8	Left Hand Blower Wheel & Housing	30090		
9	Right Hand Blower Wheel & Housing	30092		
10	Filter, 2"	80162		
11	Mixed Air Sensor*	70229		

*ComPac II air conditioners with factory installed economizer only.

MARVAIR® COMPAC® AIR CONDITIONERS
MODELS AVPA42-48-60 & AVPSA42-48-60 EXPLODED VIEW PARTS ID
COMPRESSOR & OUTDOOR COIL (OUTDOOR COIL)



No.	Description	Part Number		
		AVPA/AVPSA42	AVPA/AVPSA48	AVPA/AVPSA60
1	Compressor (1-Stage), 208-230v. 1ø, 60 Hz	10307	10310	10313
	Compressor (1-stage), 208-230v. 3ø, 60 Hz	10308	10311	10314
	Compressor (1-stage), 460v. 3ø, 60 Hz.	10309	10312	10315
	Compressor (2-Stage), 208-230v. 1ø, 60 Hz	10345	10337	10340
	Compressor (2-Stage), 208-230v. 3ø, 60 Hz	10346	10338	10341
	Compressor (2-Stage), 460v. 3ø, 60 Hz	10355	10339	10342
2	High Pressure Switch	70572		
3	Low Pressure Switch	70342		
4	Filter Drier	70389		
5	Low Ambient Fan Cycle Control	S/07435*		

Continues on next page

MARVAIR® COMPAC® AIR CONDITIONERS
MODELS AVPA42-48-60 & AVPSA42-48-60 EXPLODED VIEW PARTS ID
COMPRESSOR & OUTDOOR COIL (OUTDOOR COIL)

Continued from previous page

6	High Pressure Refrigerant Access Valve	20237		
7	Low Pressure Refrigerant Access Valve	20237		
8	Fan Blade	30135		
9	Motor, Outdoor Fan (Standard)	40098		
10	Condenser Coil	60350	60345	60345
11	Outdoor Fan Venturi Panel (Galvanized)	01812-SP		
12	Panel, Right Side - ComPac I	M/01557-XXSP		
13	Bolt, Outdoor Motor Bracket	90550		
14	Nut, Outdoor Motor Bracket	90610		
15	Bracket, Outdoor Fan Motor	80426		
†	Transformer, 460v. to 230v. Only on 460v. Models.	50147	50147	P/50007
*The S/07435 is the field replacement of the factory installed low ambient fan cycle control, includes swivel tee. †Not Shown				