

TECHNICAL SUPPORT MANUAL

Ducted Horizontal Heat Pump

HC4H3

Safety Labeling and Signal Words

DANGER, WARNING, CAUTION, and NOTE

The signal words **DANGER**, **WARNING**, **CAUTION**, and **NOTE** are used to identify levels of hazard seriousness. The signal word **DANGER** is only used on product labels to signify an immediate hazard. The signal words **WARNING**, **CAUTION**, and **NOTE** will be used on product labels and throughout this manual and other manuals that may apply to the product.

DANGER – Immediate hazards which **will** result in severe personal injury or death.

WARNING – Hazards or unsafe practices which **could** result in severe personal injury or death.

CAUTION – Hazards or unsafe practices which **may** result in minor personal injury or product or property damage.

NOTE – Used to highlight suggestions which **will** result in enhanced installation, reliability, or operation.

Signal Words in Manuals

The signal word **WARNING** is used throughout this manual in the following manner:



The signal word **CAUTION** is used throughout this manual in the following manner:



Signal Words on Product Labeling

Signal words are used in combination with colors and/or pictures on product labels.

TABLE OF CONTENTS

Model Number Identification	2
Wiring Diagrams	3 – 5
Charging Chart	6
Tech Labels	7 – 13
Cooling & Heating Multiplying Factors	14 – 23
Parts Drawing	24 – 26
Parts List – Single Phase	27 – 28
Parts List – Three Phase	29 – 32

MODELS

Single Phase	Three Phase
HC4H318AKA	HC4H336AHA
HC4H324AKA	HC4H336ALA
HC4H330AKA	HC4H348AHA
HC4H336AKA	HC4H348ALA
HC4H348AKA	HC4H360AHA
HC4H360AKA	HC4H360ALA



DEATH, PERSONAL INJURY, AND/OR PROPERTY DAMAGE HAZARD

Failure to carefully read and follow this warning could result in equipment malfunction, property damage, personal injury and/or death.

Installation or repairs made by unqualified persons could result in equipment malfunction, property damage, personal injury and/or death.

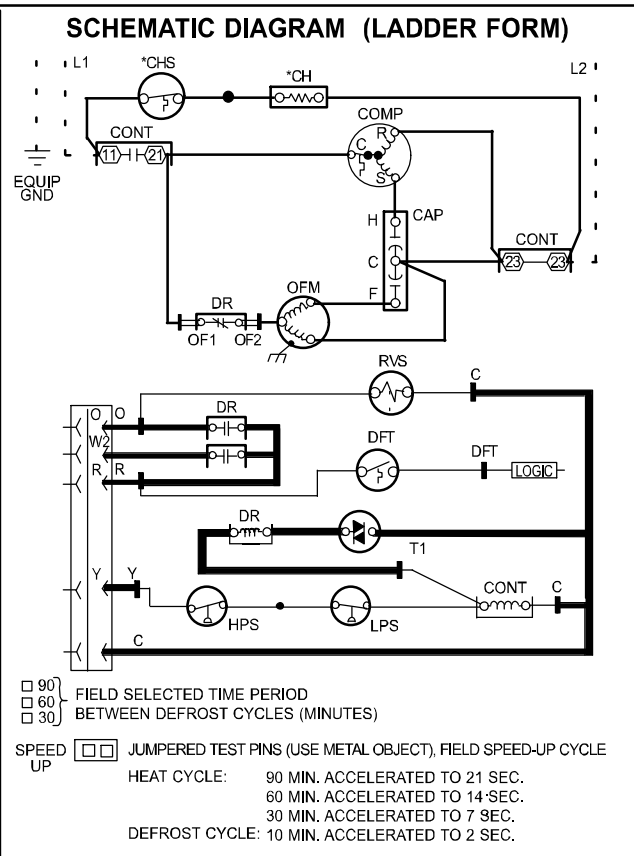
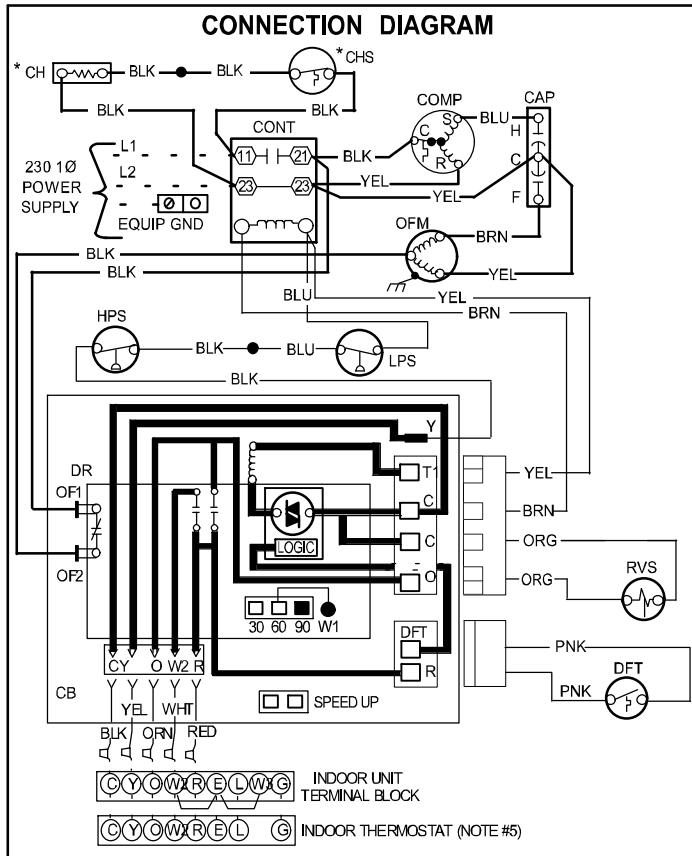
The information contained in this manual is intended for use by a qualified service technician familiar with safety procedures and equipped with the proper tools and test instruments.

Installation must conform with local building codes and with the National Electrical Code NFPA70 current edition or Canadian Electrical Code Part 1 CSA C.22.1.

OUTDOOR UNIT MODEL NUMBER IDENTIFICATION GUIDE												
Digit Position:	1,2	3	4	5	6,7	8	9	10	11	12	13	
Example Part Number:	HC	4	H	3	18	A	K	A	1	0	0	
Horizontal Condenser	UNIT											
4 = R-410A	REFRIGERANT											
A = Air Conditioner												
H = Heat Pump	TYPE											
3 = 13 SEER												
4 = 14 SEER	NOMINAL EFFICIENCY											
18 = 18,000 BTUH = 1-1/2 tons												
24 = 24,000 BTUH = 2 tons												
30 = 30,000 BTUH = 2-1/2 tons												
36 = 36,000 BTUH = 3 tons												
42 = 42,000 BTUH = 3-1/2 tons												
48 = 48,000 BTUH = 4 tons												
60 = 60,000 BTUH = 5 tons				NOMINAL CAPACITY								
A = Standard Grille							FEATURES					
K = 208/230-1-60												
H = 208/230-3-60												
L = 460-3-60										VOLTAGE		
Sales Code												
Engineering Revision												
Extra Digit												
Extra Digit												

ACCESSORIES PART NUMBER IDENTIFICATION GUIDE									
Digit Position:	1	2	3	4	5	6, 7	8, 9	10, 11	
Example Part Number:	N	A	S	A	0	01	01	CH	
N = Non-Branded	BRANDING								
A = Accessory	PRODUCT GROUP								
S = Split System (AC & HP)				KIT USAGE					
A = Original									
B = 2nd Generation				MAJOR SERIES					
0 = Generic or Not Applicable									
2 = R-22									
4 = R-410A							REFRIGERANT		
Product Identifier Number									
Package Quantity									
Type of Kit (Example: CH = Crankcase Heater)									

208/230 SINGLE PHASE Model Sizes: 18, 24, 30, 36, 48, 60



LEGEND

- FACTORY POWER WIRING
- - - FIELD POWER WIRING
- FACTORY CONTROL WIRING
- - - FIELD CONTROL WIRING
- ==== CONDUCTOR ON CIRCUIT BOARD
- COMPONENT CONNECTION
- 1/4 - INCH QUICK CONNECT TERMINAL
- ⏏ FIELD SPLICE
- JUNCTION
- CAP CAPACITOR (DUAL RUN)
- *CH CRANKCASE HEATER
- *CHS CRANKCASE HEATER SWITCH
- COMP COMPRESSOR
- CONT CONTACTOR
- CB CIRCUIT BOARD
- DFT DEFROST THERMOSTAT
- DR DEFROST RELAY AND CIRCUITRY
- HPS HIGH PRESSURE SWITCH
- LPS LOW PRESSURE SWITCH
- OFM OUTDOOR FAN MOTOR
- RVS REVERSING VALVE SOLENOID

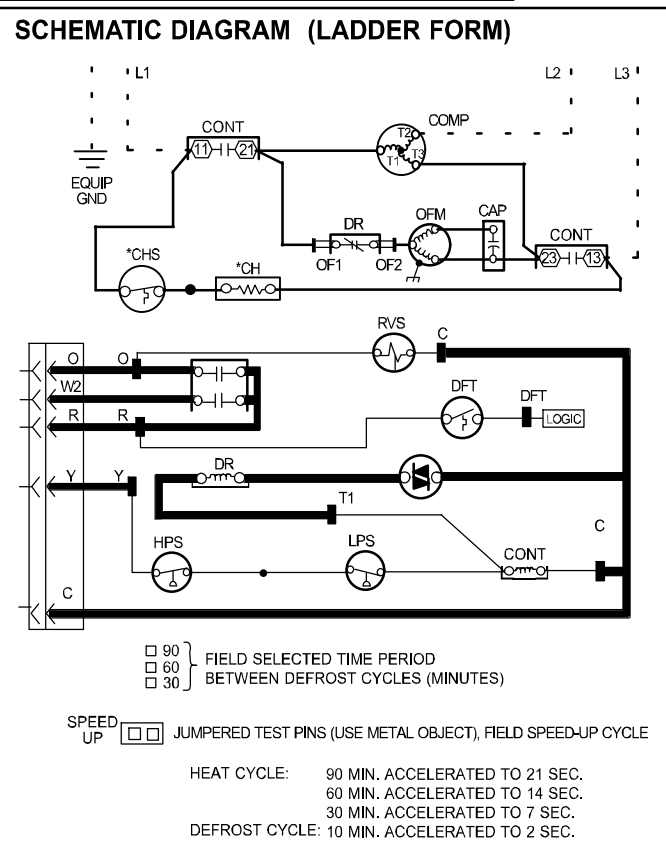
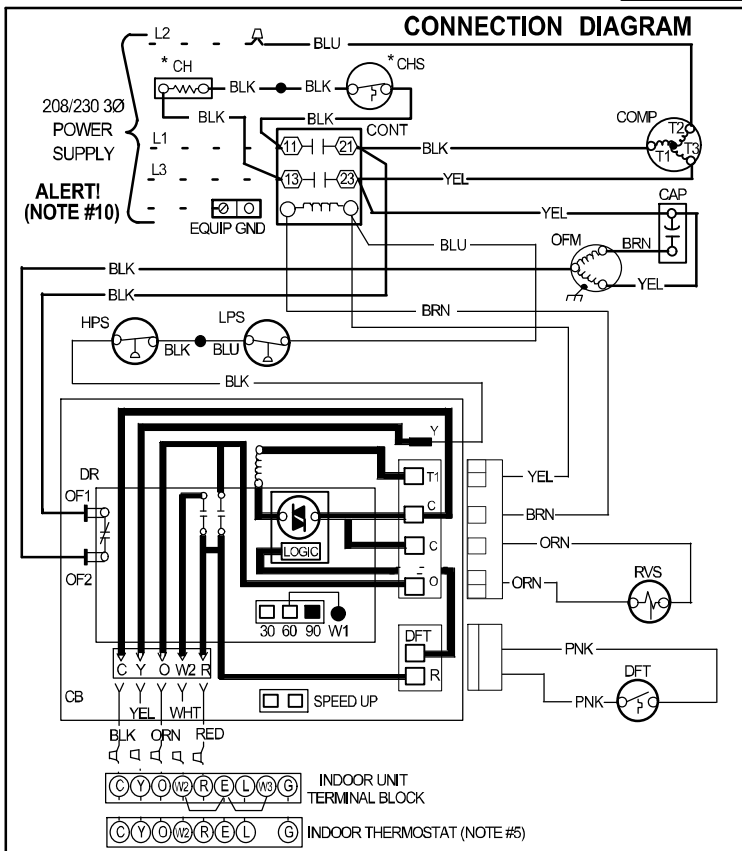
* MAY BE FACTORY OR FIELD INSTALLED.

NOTES:

1. COMPRESSOR AND FAN MOTOR FURNISHED WITH INHERENT THERMAL PROTECTION.
2. TO BE WIRED IN ACCORDANCE WITH NATIONAL ELECTRIC CODE (N.E.C.) AND LOCAL CODES.
3. N.E.C. CLASS 2, 24 V CIRCUIT, MIN. 40 VA REQUIRED.
4. USE COPPER CONDUCTORS ONLY FROM DISCONNECT TO UNIT.
5. MUST USE THERMOSTAT AND SUB-BASE AS STATED IN PRE-SALE LITERATURE.
6. IF INDOOR SECTION HAS A TRANSFORMER WITH A GROUNDED SECONDARY, CONNECT THE GROUNDED SIDE TO "C" ON THE CIRCUIT BOARD.
7. IF ANY OF THE ORIGINAL WIRE, AS SUPPLIED, MUST BE REPLACED, USE THE SAME OR EQUIVALENT WIRE.
8. CHECK ALL ELECTRICAL CONNECTIONS INSIDE CONTROL BOX FOR TIGHTNESS.
9. DO NOT ATTEMPT TO OPERATE UNIT UNTIL SERVICE VALVES HAVE BEEN OPENED.
10. USE CONDUCTORS SUITABLE FOR AT LEAST 75°C (167°F).

335044-101 REV. B

230 THREE PHASE Model Sizes: 36, 48, 60



LEGEND

- FACTORY POWER WIRING
- - - FIELD POWER WIRING
- FACTORY CONTROL WIRING
- - - FIELD CONTROL WIRING
- █ CONDUCTOR ON CIRCUIT BOARD
- COMPONENT CONNECTION
- 1/4-INCH QUICK CONNECT
- TERMINALS
- FIELD SPLICE
- JUNCTION
- CAP CAPACITOR (DUAL RUN)
- *CH CRANKCASE HEATER
- *CHS CRANKCASE HEATER SWITCH
- COMP COMPRESSOR
- CONT CONTACTOR
- CB CIRCUIT BOARD
- DFT DEFROST THERMOSTAT CIRCUITRY
- DR DEFROST RELAY AND CIRCUITRY
- HPS HIGH PRESSURE SWITCH
- LPS LOW PRESSURE SWITCH
- OFM OUTDOOR FAN MOTOR
- RVS REVERSING VALVE SOLENOID

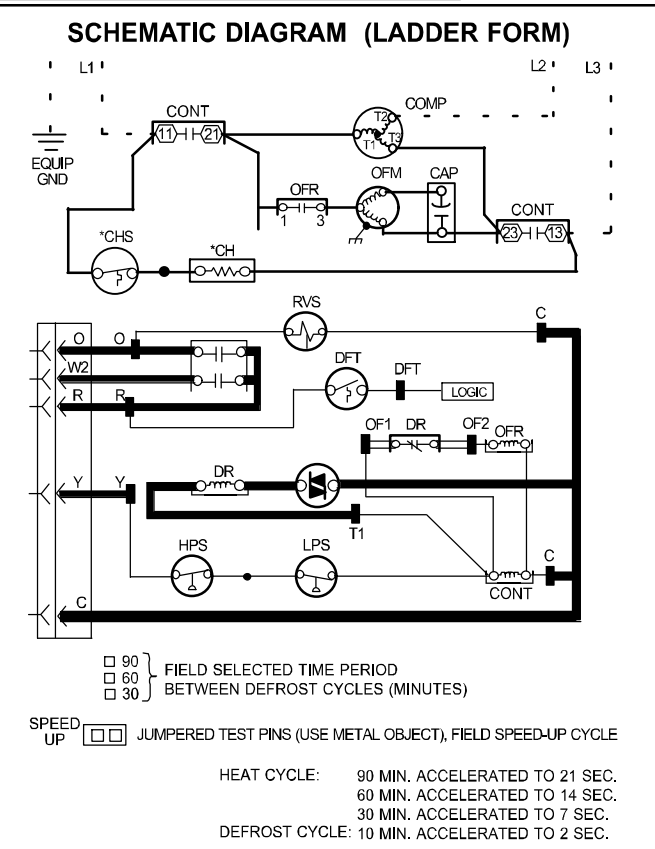
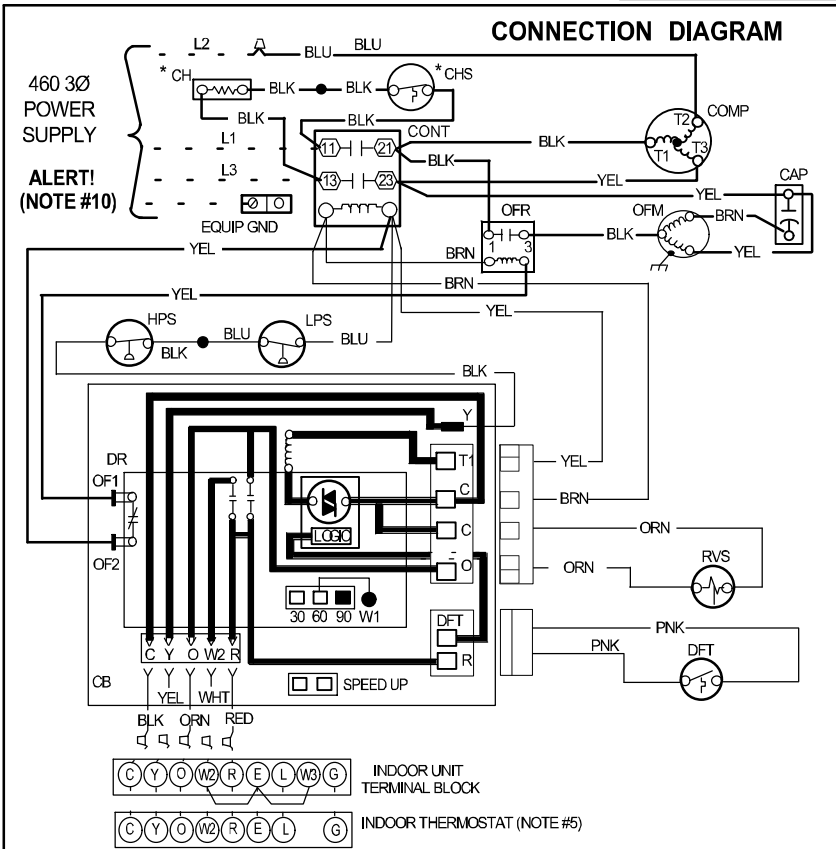
***MAY BE FACTORY OR FIELD INSTALLED.**

- NOTES:**
1. Compressor and fan motor furnished with inherent thermal protection.
 2. To be wired in accordance with National Electric Code (N.E.C.) and local codes.
 3. N.E.C. class 2, 24V circuit, min. 40 VA required.
 4. Use copper conductors only, from disconnect to unit.
 5. Must use thermostat and sub-base as stated in pre-sale literature.
 6. If indoor section has a transformer with a grounded secondary, connect the grounded side to "C" on the circuit board.
 7. If any of the original wire, as supplied, must be replaced, use the same or equivalent wire.
 8. Check all electrical connections inside control box for tightness.
 9. Do not attempt to operate unit until service valves have been opened.
 10. It is imperative to connect 3Ø field power to unit with correct phasing. Wrong phasing will cause reverse rotation of scroll compressor which will result in reduced current draw, elevated noise level and improper operation. If phasing is reversed, simply interchange any two of the three power connections on the field side.
 11. Use conductors suitable for at least 75°C (167°F).

335045-101 REV. B

460 THREE PHASE Model Sizes: 36, 48, 60

428 04 9700 02



LEGEND

- FACTORY POWER WIRING
- - - FIELD POWER WIRING
- FACTORY CONTROL WIRING
- - - FIELD CONTROL WIRING
- ▬ CONDUCTOR ON CIRCUIT BOARD
- COMPONENT CONNECTION
- 1/4-INCH QUICK CONNECT
- ⏏ TERMINALS
- ⏏ FIELD SPLICE
- JUNCTION
- CAP CAPACITOR (DUAL RUN)
- *CH CRANKCASE HEATER
- *CHS CRANKCASE HEATER SWITCH
- COMP COMPRESSOR
- CONT CONTACTOR
- CB CIRCUIT BOARD
- DFT DEFROST THERMOSTAT
- DR DEFROST RELAY AND CIRCUITRY
- HPS HIGH PRESSURE SWITCH
- LPS LOW PRESSURE SWITCH
- OFM OUTDOOR FAN MOTOR
- OFR OUTDOOR FAN RELAY
- RVS REVERSING VALVE SOLENOID

***MAY BE FACTORY OR FIELD INSTALLED.**

- NOTES:**
1. Compressor and fan motor furnished with inherent thermal protection.
 2. To be wired in accordance with National Electric Code (N.E.C.) and local codes.
 3. N.E.C. class 2, 24V circuit, min. 40 VA required.
 4. Use copper conductors only, from disconnect to unit.
 5. Must use thermostat and sub-base as stated in pre-sale literature.
 6. If indoor section has a transformer with a grounded secondary, connect the grounded side to "C" on the circuit board.

7. If any of the original wire, as supplied, must be replaced, use the same or equivalent wire.
8. Check all electrical connections inside control box for tightness.
9. Do not attempt to operate unit until service valves have been opened.
10. It is imperative to connect 3Ø field power to unit with correct phasing. Wrong phasing will cause reverse rotation of scroll compressor which will result in reduced current draw, elevated noise level and improper operation. If phasing is reversed, simply interchange any two of the three power connections on the field side.
11. Use conductors suitable for at least 75°C (167°F).

335046-101 Rev. C

R-410A CHARGING CHART												
Measured Liquid Pressure (psig)	Rating Plate (required) Subcooling Temperature °F (°C)											
	°F 6	(°C) 3	°F 8	(°C) 4	°F 10	(°C) 6	°F 12	(°C) 7	F 14	(°C) 8	F 16	(°C) 9
	R-410A Required Liquid Line Temperature °F (°C)											
251	78	26	76	24	74	23	72	22	70	21	68	20
259	80	27	78	26	76	24	74	23	72	22	70	21
266	82	28	80	27	78	26	76	24	74	23	72	22
274	84	29	82	28	80	27	78	26	76	24	74	23
283	86	30	84	29	82	28	80	27	78	26	76	24
291	88	31	86	30	84	29	82	28	80	27	78	26
299	90	32	88	31	86	30	84	29	82	28	80	27
308	92	33	90	32	88	31	86	30	84	29	82	28
317	94	34	92	33	90	32	88	31	86	30	84	29
326	96	36	94	34	92	33	90	32	88	31	86	30
335	98	37	96	36	94	34	92	33	90	32	88	31
345	100	38	98	37	96	36	94	34	92	33	90	32
364	104	40	102	39	100	38	98	37	96	36	94	34
374	106	41	104	40	102	39	100	38	98	37	96	36
384	108	42	106	41	104	40	102	39	100	38	98	37
395	110	43	108	42	106	41	104	40	102	39	100	38
406	112	44	110	43	108	42	106	41	104	40	102	39
416	114	46	112	44	110	43	108	42	106	41	104	40
427	116	47	114	46	112	44	110	43	108	42	106	41
439	118	48	116	47	114	46	112	44	110	43	108	42
450	120	49	118	48	116	47	114	46	112	44	110	43
462	122	50	120	49	118	48	116	47	114	46	112	44
474	124	51	122	50	120	49	118	48	116	47	114	46

COOLING		18 Size Outdoor With FEM4X18**** Indoor Cooling																								
		Outdoor Ambient Temperature – Degrees F, Dry Bulb																								
		75					85					95					105					115				
		Entering Indoor Temperature – Degrees F, Dry Bulb																								
CFM		57	62	67	72	57	62	67	72	57	62	67	72	57	62	67	72	57	62	67	72					
525	MBh†	17.41	18.03	19.83	21.81	16.66	17.08	18.78	20.67	15.87	16.10	17.69	19.47	15.04	15.10	16.55	18.22	14.15	14.15	15.35	16.90					
	S/T‡	1.00	0.86	0.66	0.48	1.00	0.88	0.67	0.49	1.00	0.90	0.69	0.50	1.00	0.93	0.71	0.51	1.00	1.00	0.73	0.52					
	AMPS*	5.47	5.44	5.36	5.28	6.25	6.23	6.16	6.08	7.12	7.11	7.04	6.96	8.08	8.08	8.01	7.93	9.13	9.13	9.08	9.00					
	HI PR	263	264	268	272	304	305	309	313	348	349	353	358	397	398	402	407	451	451	455	460					
	LO PR	127	131	143	155	190	193	145	158	134	136	147	161	138	138	150	163	142	142	153	166					
600	MBh†	18.14	18.44	20.24	22.25	17.33	17.47	19.14	21.05	16.49	16.50	18.00	19.80	15.60	15.60	16.82	18.50	14.66	14.66	15.57	17.13					
	S/T‡	1.00	0.90	0.68	0.50	1.00	0.92	0.70	0.51	1.00	1.00	0.72	0.52	1.00	1.00	0.74	0.53	1.00	1.00	0.77	0.54					
	AMPS*	5.52	5.51	5.43	5.34	6.31	6.30	6.23	6.15	7.18	7.18	7.11	7.03	8.14	8.14	8.09	8.00	9.19	9.19	9.15	9.07					
	HI PR	265	265	269	273	306	306	310	314	350	350	354	359	399	399	403	408	453	453	456	461					
	LO PR	132	134	146	159	135	136	148	161	139	139	150	164	143	143	153	166	147	147	155	169					
675	MBh†	18.75	18.82	20.55	22.58	17.90	17.90	19.41	21.34	17.01	17.01	18.23	20.05	16.07	16.07	17.01	18.71	15.07	15.07	15.74	17.30					
	S/T‡	1.00	0.99	0.71	0.51	1.00	1.00	0.73	0.52	1.00	1.00	0.75	0.53	1.00	1.00	0.78	0.55	1.00	1.00	0.81	0.56					
	AMPS*	5.58	5.57	5.50	5.41	6.37	6.37	6.30	6.22	7.24	7.24	7.19	7.10	8.20	8.20	8.16	8.08	9.26	9.26	9.22	9.14					
	HI PR	266	266	270	274	307	307	311	315	352	352	355	360	401	401	404	409	455	455	457	462					
	LO PR	137	137	148	162	140	140	150	164	144	144	153	166	148	148	155	169	152	152	158	171					

HEATING		18 Size Outdoor With FEM4X18**** Indoor Heating																																							
		Outdoor Ambient Temperature – Degrees F, Dry Bulb																																							
		-3					7					17					27					37					47					57					67				
		Entering Indoor Temperature – Degrees F, Dry Bulb																																							
CFM		65	70	75	65	70	75	65	70	75	65	70	75	65	70	75	65	70	75	65	70	75	65	70	75																
525	MBh†	6.23	5.94	5.63	8.15	7.88	7.61	10.20	9.95	9.69	12.54	12.24	11.94	15.17	14.86	14.55	18.09	17.74	17.39	21.35	20.95	20.54	24.96	24.58	24.18																
	T/R	12.20	11.80	11.20	15.90	15.50	15.10	19.80	19.50	19.20	24.20	23.90	23.50	29.20	28.90	28.60	34.70	34.30	34.00	40.80	40.40	40.00	47.50	47.20	46.80																
	AMPS*	4.90	5.13	5.35	5.10	5.37	5.63	5.29	5.58	5.87	5.52	5.82	6.13	5.80	6.12	6.46	6.16	6.49	6.83	6.59	6.96	7.31	7.01	7.37	7.76																
	HI PR	230	245	261	244	261	278	260	278	296	281	299	317	307	325	345	338	357	377	374	395	416	411	432	455																
	LO PR	40	40	41	51	52	52	64	65	65	79	79	80	95	95	96	113	113	114	132	133	133	153	154	155																
600	MBh†	6.35	6.06	5.75	8.28	8.01	7.74	10.36	10.10	9.84	12.73	12.43	12.13	15.39	15.08	14.77	18.35	18.00	17.65	21.60	21.23	20.85	25.12	24.80	24.44																
	T/R	10.90	10.50	10.00	14.10	13.80	13.50	17.60	17.30	17.00	21.50	21.20	20.90	25.90	25.60	25.40	30.80	30.50	30.20	36.10	35.80	35.50	41.80	41.60	41.40																
	AMPS*	4.92	5.15	5.38	5.10	5.36	5.63	5.25	5.54	5.84	5.45	5.75	6.06	5.71	6.02	6.35	6.05	6.37	6.70	6.38	6.76	7.16	6.84	7.19	7.55																
	HI PR	226	242	258	239	256	273	254	271	290	273	290	309	297	315	334	327	345	365	357	379	402	397	417	438																
	LO PR	40	40	41	51	52	52	64	65	65	79	79	80	95	95	96	112	113	113	132	132	133	152	153	154																
675	MBh†	6.45	6.16	5.85	8.38	8.12	7.86	10.50	10.23	9.97	12.89	12.59	12.29	15.59	15.26	14.95	18.56	18.19	17.86	21.73	21.41	21.06	25.15	24.89	24.58																
	T/R	9.80	9.50	9.10	12.70	12.40	12.10	15.90	15.60	15.30	19.40	19.10	18.80	23.30	23.10	22.80	27.70	27.40	27.10	32.30	32.10	31.90	37.20	37.10	37.00																
	AMPS*	4.95	5.19	5.42	5.11	5.38	5.64	5.24	5.53	5.83	5.42	5.72	6.03	5.66	5.97	6.29	5.99	6.29	6.62	6.29	6.62	7.00	6.75	7.09	7.43																
	HI PR	223	239	255	235	252	269	249	266	284	266	284	302	290	307	326	319	336	356	348	367	389	387	406	427																
	LO PR	40	40	40	51	52	52	64	65	65	79	79	79	94	95	95	112	113	113	131	132	133	150	152	153																

See Notes following tables.

COOLING		24 Size Outdoor With FEM4P24**A* Indoor Cooling																					
		Outdoor Ambient Temperature – Degrees F, Dry Bulb																					
		75					85					95					105					115	
		Entering Indoor Temperature – Degrees F, Dry Bulb																					
CFM		57	62	67	72	57	62	67	72	57	62	67	72	57	62	67	72	57	62	67	72		
700	MBh†	22.45	23.21	25.40	27.81	21.50	22.01	24.08	26.37	20.47	20.75	22.68	24.81	19.37	19.45	21.18	23.19	18.17	18.17	19.59	21.44		
	S/T‡	1.00	0.88	0.67	0.50	1.00	0.90	0.69	0.50	1.00	0.93	0.71	0.51	1.00	0.96	0.73	0.52	1.00	1.00	0.75	0.53		
	AMPS*	7.30	7.30	7.29	7.29	8.28	8.28	8.28	8.27	9.36	9.36	9.36	9.35	10.55	10.55	10.54	10.54	11.83	11.83	11.83	11.82		
	HI PR	275	276	281	286	317	318	323	328	362	363	368	374	412	413	418	424	467	467	471	477		
	LO PR	126	130	142	155	129	132	144	157	133	134	146	160	137	137	149	163	141	141	152	166		
800	MBh†	23.31	23.67	25.84	28.28	22.28	22.45	24.47	26.78	21.19	21.19	23.00	25.15	20.02	20.01	21.45	23.48	18.74	18.73	19.80	21.66		
	S/T‡	1.00	0.92	0.70	0.51	1.00	0.95	0.72	0.52	1.00	1.00	0.74	0.53	1.00	1.00	0.76	0.54	1.00	1.00	0.80	0.56		
	AMPS*	7.46	7.46	7.45	7.45	8.44	8.44	8.44	8.43	9.52	9.53	9.52	9.51	10.71	10.71	10.71	10.70	11.99	11.99	11.99	11.98		
	HI PR	277	278	282	288	319	319	324	330	365	365	370	375	415	415	419	425	469	469	473	478		
	LO PR	131	133	145	158	134	135	147	161	138	138	149	163	142	142	152	166	147	147	155	168		
900	MBh†	24.01	24.08	26.17	28.64	22.93	22.93	24.75	27.08	21.77	21.77	23.23	25.41	20.54	20.53	21.64	23.67	19.19	19.18	19.95	21.81		
	S/T‡	1.00	0.99	0.73	0.52	1.00	1.00	0.75	0.53	1.00	1.00	0.77	0.54	1.00	1.00	0.80	0.56	1.00	1.00	0.84	0.58		
	AMPS*	7.62	7.62	7.61	7.61	8.60	8.60	8.60	8.59	9.69	9.69	9.68	9.68	10.87	10.87	10.87	10.86	12.15	12.15	12.15	12.14		
	HI PR	279	279	283	289	321	321	325	331	367	367	371	376	417	417	420	426	471	471	474	479		
	LO PR	136	136	148	161	139	139	150	163	143	143	152	166	147	147	154	168	151	151	157	171		

HEATING		24 Size Outdoor With FEM4P24**A* Indoor Heating																																							
		Outdoor Ambient Temperature – Degrees F, Dry Bulb																																							
		-3					7					17					27					37					47					57					67				
		Entering Indoor Temperature – Degrees F, Dry Bulb																																							
CFM		65	70	75	65	70	75	65	70	75	65	70	75	65	70	75	65	70	75	65	70	75	65	70	75																
700	MBh†	9.57	9.18	8.77	12.07	11.73	11.37	14.70	14.38	14.02	17.48	17.18	16.84	20.55	20.17	19.84	24.05	23.64	23.24	28.04	27.55	27.07	32.57	32.04	31.49																
	T/R	13.20	12.70	12.30	16.70	16.40	16.00	20.40	20.20	19.90	24.40	24.30	24.00	28.90	28.60	28.40	34.00	33.70	33.50	39.90	39.50	39.20	46.60	46.20	45.90																
	AMPS*	6.94	7.28	7.62	7.11	7.48	7.87	7.28	7.67	8.09	7.45	7.87	8.31	7.68	8.10	8.55	7.99	8.43	8.89	8.39	8.84	9.30	8.76	9.27	9.81																
	HI PR	232	248	264	246	263	280	262	280	298	280	298	317	302	321	341	328	349	369	361	382	404	395	419	445																
	LO PR	38	39	39	49	49	50	61	62	62	75	75	76	90	90	91	107	108	108	127	127	128	148	149	150																
800	MBh†	9.77	9.40	8.97	12.29	11.96	11.59	14.92	14.60	14.26	17.73	17.43	17.10	20.86	20.48	20.23	24.42	24.00	23.59	28.50	28.00	27.51	32.95	32.52	32.01																
	T/R	11.80	11.40	11.00	14.90	14.60	14.30	18.20	17.90	17.70	21.70	21.50	21.30	25.70	25.40	25.40	30.20	30.00	29.70	35.40	35.20	34.90	41.20	41.10	40.80																
	AMPS*	7.02	7.37	7.71	7.16	7.53	7.91	7.28	7.68	8.10	7.41	7.83	8.26	7.61	8.02	8.48	7.87	8.30	8.76	8.23	8.67	9.13	8.52	8.99	9.49																
	HI PR	228	244	260	241	258	275	255	273	291	271	290	309	292	310	331	316	336	357	347	368	389	377	399	423																
	LO PR	38	38	39	49	49	50	61	61	62	75	75	76	90	90	91	107	107	108	126	127	127	147	148	149																
900	MBh†	9.95	9.58	9.16	12.48	12.15	11.79	15.13	14.81	14.50	17.94	17.65	17.35	21.14	20.75	20.37	24.73	24.31	23.89	28.85	28.37	27.88	33.18	32.79	32.37																
	T/R	10.60	10.30	10.00	13.40	13.20	12.90	16.40	16.20	16.00	19.50	19.40	19.20	23.10	22.90	22.70	27.20	27.00	26.80	31.90	31.70	31.40	36.90	36.80	36.70																
	AMPS*	7.12	7.47	7.81	7.22	7.60	7.98	7.32	7.72	8.12	7.42	7.83	8.26	7.58	8.00	8.43	7.82	8.24	8.69	8.12	8.58	9.03	8.40	8.84	9.32																
	HI PR	225	241	258	237	254	271	250	267	286	265	283	302	284	302	322	307	327	347	336	357	377	364	385	408																
	LO PR	38	38	39	49	49	49	61	61	62	74	75	75	90	90	90	107	107	108	126	127	127	146	147	149																

See Notes following tables.

COOLING		30 Size Outdoor With FEM4P30**A* Indoor Cooling																														
		Outdoor Ambient Temperature – Degrees F, Dry Bulb																														
		75					85					95					105					115										
		Entering Indoor Temperature – Degrees F, Dry Bulb																														
CFM		57	62	67	72	57	62	67	72	57	62	67	72	57	62	67	72	57	62	67	72	57	62	67	72							
875	MBh†	26.74	27.42	30.16	33.26	25.68	26.11	28.71	31.70	24.55	24.75	27.19	30.06	23.36	23.37	25.59	28.33	22.07	22.07	23.87	26.47											
	S/T‡	1.00	0.86	0.66	0.48	1.00	0.88	0.67	0.48	1.00	0.90	0.69	0.49	1.00	1.00	0.71	0.50	1.00	1.00	0.73	0.51											
	AMPS*	8.58	8.58	8.56	8.53	9.60	9.60	9.58	9.55	10.74	10.73	10.71	10.69	11.99	11.99	11.97	11.95	13.37	13.37	13.35	13.33											
	HI PR	258	259	262	266	299	299	303	306	344	344	347	351	393	393	396	400	447	447	450	454											
	LO PR	129	131	143	156	132	134	145	158	135	136	147	160	139	139	150	163	143	143	152	165											
1000	MBh†	27.74	27.99	30.68	33.84	26.61	26.64	29.17	32.22	25.43	25.42	27.60	30.52	24.16	24.16	25.94	28.73	22.80	22.80	24.17	26.80											
	S/T‡	1.00	0.90	0.69	0.49	1.00	1.00	0.70	0.50	1.00	1.00	0.72	0.51	1.00	1.00	0.74	0.52	1.00	1.00	0.77	0.53											
	AMPS*	8.77	8.77	8.75	8.73	9.79	9.79	9.77	9.75	10.93	10.93	10.91	10.89	12.18	12.18	12.17	12.14	13.56	13.56	13.55	13.53											
	HI PR	260	260	263	266	300	300	303	307	345	345	348	352	394	394	397	401	448	448	451	455											
	LO PR	134	135	146	159	137	137	148	161	140	140	150	163	144	144	152	166	147	147	155	168											
1125	MBh†	28.58	28.60	31.08	34.29	27.40	27.39	29.53	32.62	26.15	26.15	27.91	30.87	24.82	24.82	26.21	29.02	23.40	23.39	24.39	27.04											
	S/T‡	1.00	1.00	0.72	0.51	1.00	1.00	0.73	0.52	1.00	1.00	0.75	0.53	1.00	1.00	0.78	0.54	1.00	1.00	0.81	0.55											
	AMPS*	8.97	8.98	8.95	8.93	9.99	9.99	9.97	9.95	11.12	11.12	11.11	11.08	12.38	12.38	12.36	12.34	13.76	13.76	13.75	13.72											
	HI PR	261	261	264	267	302	302	304	308	346	346	349	353	396	396	398	402	450	450	451	456											
	LO PR	138	138	149	162	141	141	150	164	144	144	152	166	148	148	154	168	152	152	157	170											
HEATING		30 Size Outdoor With FEM4P30**A* Indoor Heating																														
		Outdoor Ambient Temperature – Degrees F, Dry Bulb																														
		-3					7					17					27					37					47		57		67	
		Entering Indoor Temperature – Degrees F, Dry Bulb																														
CFM		65	70	75	65	70	75	65	70	75	65	70	75	65	70	75	65	70	75	65	70	75	65	70	75	65	70	75				
875	MBh†	11.35	10.86	10.33	14.36	13.91	13.43	17.52	17.10	16.65	20.91	20.49	20.05	24.53	24.07	23.64	28.67	28.17	27.58	33.12	32.56	31.99	38.07	37.41	36.77							
	T/R	12.50	12.00	11.60	15.90	15.50	15.10	19.50	19.20	18.90	23.50	23.30	23.00	27.80	27.50	27.30	32.80	32.50	32.10	38.20	37.90	37.60	44.20	43.90	43.50							
	AMPS*	9.04	9.44	9.84	9.07	9.49	9.92	9.08	9.52	9.97	9.11	9.56	10.03	9.18	9.64	10.11	9.33	9.79	10.25	9.51	9.98	10.45	9.78	10.23	10.71							
	HI PR	234	250	267	249	266	283	265	283	302	285	304	323	308	327	348	336	357	377	369	390	413	408	431	454							
	LO PR	41	41	41	53	53	53	66	67	67	81	82	82	99	99	99	117	118	118	138	139	139	161	162	162							
1000	MBh†	11.60	11.11	10.58	14.63	14.19	13.71	17.82	17.40	16.96	21.21	20.82	20.37	24.90	24.44	23.99	29.11	28.60	28.10	33.65	33.08	32.51	38.68	38.03	37.38							
	T/R	11.10	10.80	10.40	14.20	13.90	13.50	17.40	17.10	16.90	20.90	20.70	20.40	24.70	24.50	24.20	29.10	28.90	28.60	33.90	33.70	33.40	39.30	39.00	38.70							
	AMPS*	9.16	9.56	9.97	9.14	9.56	10.00	9.11	9.55	10.00	9.11	9.55	10.02	9.13	9.58	10.05	9.24	9.69	10.16	9.38	9.83	10.30	9.60	10.05	10.51							
	HI PR	230	247	263	244	261	278	259	277	295	277	295	314	298	317	337	324	344	365	355	376	398	392	414	436							
	LO PR	41	41	41	53	53	53	66	66	67	81	82	82	98	99	99	117	118	118	138	138	139	160	161	162							
1125	MBh†	11.83	11.35	10.82	14.87	14.43	13.95	18.08	17.65	17.21	21.49	21.08	20.68	25.25	24.77	24.31	29.48	28.97	28.47	34.09	33.50	32.94	39.18	38.53	37.88							
	T/R	10.10	9.80	9.40	12.80	12.50	12.20	15.70	15.50	15.20	18.80	18.60	18.40	22.30	22.00	21.80	26.20	26.00	25.80	30.60	30.30	30.10	35.40	35.20	34.90							
	AMPS*	9.29	9.70	10.11	9.24	9.67	10.11	9.18	9.62	10.08	9.14	9.58	10.04	9.14	9.58	10.04	9.21	9.65	10.11	9.33	9.76	10.23	9.52	9.95	10.41							
	HI PR	228	244	260	240	257	274	254	271	290	270	289	308	290	309	329	315	335	355	344	365	386	380	401	423							
	LO PR	41	41	41	53	53	53	66	66	67	81	82	82	98	99	99	117	117	118	137	138	139	160	161	161							

See Notes following tables.

COOLING		36 Size Outdoor With FS(M,U)4P36**A* Cooling																			
		Outdoor Ambient Temperature – Degrees F, Dry Bulb																			
		75				85				95				105				115			
		Entering Indoor Temperature – Degrees F, Dry Bulb																			
CFM		57	62	67	72	57	62	67	72	57	62	67	72	57	62	67	72	57	62	67	72
1050	MBh†	32.85	33.74	37.12	40.95	31.56	32.15	35.36	39.05	30.20	30.50	33.51	37.05	28.74	28.76	31.56	34.93	27.17	27.16	29.46	32.66
	S/T‡	1.00	0.90	0.69	0.50	1.00	0.92	0.70	0.51	1.00	0.94	0.72	0.51	1.00	1.00	0.73	0.52	1.00	1.00	0.76	0.53
	AMPS*	10.51	10.50	10.49	10.48	11.77	11.76	11.75	11.75	13.17	13.17	13.16	13.15	14.72	14.72	14.71	14.70	16.42	16.42	16.41	16.41
	HI PR	258	259	262	266	298	299	302	306	343	343	347	351	392	392	396	400	445	445	449	453
	LO PR	128	131	143	156	131	133	145	158	135	136	147	160	138	138	149	163	142	142	152	165
1200	MBh†	34.07	34.43	37.75	41.65	32.70	32.82	35.92	39.67	31.25	31.25	34.00	37.60	29.71	29.71	31.98	35.41	28.05	28.04	29.81	33.06
	S/T‡	1.00	0.94	0.72	0.51	1.00	0.99	0.73	0.52	1.00	1.00	0.75	0.53	1.00	1.00	0.77	0.54	1.00	1.00	0.80	0.55
	AMPS*	10.78	10.78	10.77	10.76	12.04	12.04	12.03	12.02	13.44	13.44	13.43	13.43	14.99	14.99	14.99	14.98	16.70	16.70	16.69	16.69
	HI PR	259	260	263	266	300	300	303	307	344	344	348	352	393	393	396	401	447	447	450	454
	LO PR	133	134	146	159	136	137	148	161	140	140	150	163	143	143	152	165	147	147	154	168
1350	MBh†	35.07	35.09	38.24	42.20	33.64	33.63	36.34	40.15	32.12	32.12	34.37	38.01	30.51	30.50	32.29	35.76	28.76	28.76	30.07	33.34
	S/T‡	1.00	1.00	0.75	0.53	1.00	1.00	0.76	0.54	1.00	1.00	0.78	0.55	1.00	1.00	0.81	0.56	1.00	1.00	0.84	0.57
	AMPS*	11.05	11.05	11.05	11.04	12.32	12.32	12.31	12.30	13.72	13.72	13.71	13.71	15.27	15.27	15.27	15.26	16.97	16.97	16.97	16.96
	HI PR	261	261	264	267	301	301	304	308	346	346	348	353	395	395	397	402	448	448	450	455
	LO PR	138	138	148	161	141	141	150	163	144	144	152	165	147	147	154	168	151	151	157	170

HEATING		36 Size Outdoor With FS(M,U)4P36**A* Indoor Heating																															
		Outdoor Ambient Temperature – Degrees F, Dry Bulb																															
		-3				7				17				27				37				47				57				67			
		Entering Indoor Temperature – Degrees F, Dry Bulb																															
CFM		65	70	75	65	70	75	65	70	75	65	70	75	65	70	75	65	70	75	65	70	75	65	70	75								
1050	MBh†	12.91	12.29	11.65	16.52	15.93	15.30	20.35	19.80	19.23	24.61	24.08	23.51	29.25	28.71	28.15	34.46	33.81	33.19	40.41	39.71	39.02	46.94	46.15	45.37								
	T/R	12.50	12.00	11.50	15.90	15.50	15.00	19.50	19.10	18.70	23.40	23.10	22.70	27.60	27.30	27.00	32.30	32.00	31.70	37.60	37.30	37.00	43.40	43.00	42.70								
	AMPS*	10.33	10.79	11.26	10.57	11.06	11.58	10.79	11.32	11.87	11.05	11.60	12.17	11.34	11.91	12.51	11.70	12.28	12.89	12.17	12.78	13.41	12.73	13.36	14.00								
	HI PR	236	252	269	251	268	286	267	285	304	286	305	325	308	328	349	333	354	375	364	386	408	399	422	445								
	LO PR	41	41	41	52	53	53	66	66	66	81	81	81	98	98	98	116	117	117	136	137	138	159	159	160								
1200	MBh†	13.20	12.61	11.98	16.82	16.34	15.67	20.74	20.20	19.63	25.03	24.51	23.95	29.72	29.19	28.63	35.14	34.40	33.74	41.10	40.39	39.69	47.76	46.97	46.17								
	T/R	11.20	10.80	10.40	14.20	13.90	13.40	17.40	17.10	16.70	20.80	20.50	20.30	24.50	24.30	24.10	28.80	28.40	28.20	33.40	33.20	32.90	38.60	38.30	38.00								
	AMPS*	10.49	10.96	11.44	10.67	11.18	11.70	10.85	11.38	11.93	11.05	11.61	12.17	11.29	11.86	12.45	11.62	12.17	12.76	12.01	12.60	13.22	12.50	13.11	13.74								
	HI PR	231	248	265	245	263	280	260	278	297	277	297	316	297	317	338	322	341	362	349	370	393	382	404	427								
	LO PR	41	41	41	52	52	53	65	66	66	81	81	81	97	98	98	116	116	117	136	137	137	158	159	160								
1350	MBh†	13.45	12.90	12.27	17.12	16.70	15.99	21.09	20.55	19.98	25.41	24.89	24.33	30.14	29.60	29.05	35.63	34.90	34.24	41.66	40.96	40.25	48.48	47.62	46.83								
	T/R	10.10	9.80	9.40	12.80	12.60	12.20	15.70	15.40	15.10	18.80	18.50	18.30	22.10	21.90	21.70	25.90	25.70	25.40	30.10	29.90	29.70	34.80	34.50	34.30								
	AMPS*	10.67	11.15	11.63	10.82	11.34	11.84	10.96	11.49	12.03	11.12	11.67	12.23	11.31	11.87	12.46	11.60	12.14	12.73	11.94	12.52	13.13	12.39	12.98	13.60								
	HI PR	228	245	262	241	258	276	254	273	292	271	290	309	289	309	329	312	331	352	338	359	380	369	390	413								
	LO PR	40	41	41	52	52	53	65	66	66	80	81	81	97	98	98	115	116	117	136	136	137	158	158	159								

See Notes following tables.

COOLING		48 Size Outdoor With FS(M,U)4P48**A* Indoor Cooling																				
		Outdoor Ambient Temperature – Degrees F, Dry Bulb																				
		75				85				95				105				115				
		Entering Indoor Temperature – Degrees F, Dry Bulb																				
CFM		57	62	67	72	57	62	67	72	57	62	67	72	57	62	67	72	57	62	67	72	
1400	MBh†	46.23	47.80	52.47	57.60	44.43	45.53	49.98	54.86	42.50	43.15	47.31	51.92	40.40	40.62	44.44	48.75	38.09	38.09	38.09	41.33	45.28
	S/T‡	1.00	0.88	0.67	0.49	1.00	0.90	0.68	0.50	1.00	0.92	0.70	0.50	1.00	0.94	0.72	0.51	1.00	1.00	1.00	0.74	0.52
	AMPS*	14.66	14.64	14.58	14.52	16.56	16.54	16.49	16.42	18.67	18.66	18.59	18.53	20.98	20.97	20.91	20.84	23.50	23.50	23.50	23.44	23.35
	HI PR	268	270	274	278	310	311	316	320	356	356	361	366	406	406	411	416	460	460	460	464	470
	LO PR	126	130	142	155	129	132	144	157	132	134	146	160	136	137	149	162	140	140	140	151	165
1600	MBh†	48.01	48.76	53.40	58.60	46.08	46.44	50.78	55.73	44.02	44.03	48.00	52.66	41.77	41.77	45.01	49.35	39.30	39.30	39.30	41.77	45.75
	S/T‡	1.00	0.92	0.70	0.50	1.00	0.94	0.71	0.51	1.00	1.00	0.73	0.52	1.00	1.00	0.75	0.53	1.00	1.00	1.00	0.78	0.54
	AMPS*	15.02	15.01	14.95	14.89	16.92	16.92	16.86	16.80	19.03	19.03	18.97	18.90	21.34	21.34	21.29	21.21	23.86	23.86	23.86	23.81	23.72
	HI PR	270	271	275	279	312	312	317	322	358	358	362	367	408	408	412	417	462	462	462	465	471
	LO PR	131	133	145	158	134	135	147	161	138	138	149	163	141	141	151	165	145	145	145	154	168
1800	MBh†	49.48	49.61	54.07	59.33	47.44	47.44	51.36	56.36	45.26	45.25	48.49	53.17	42.88	42.88	45.40	49.76	40.27	40.27	40.27	42.07	46.04
	S/T‡	1.00	0.99	0.73	0.52	1.00	1.00	0.74	0.53	1.00	1.00	0.76	0.54	1.00	1.00	0.79	0.55	1.00	1.00	1.00	0.82	0.57
	AMPS*	15.39	15.39	15.33	15.27	17.29	17.29	17.24	17.17	19.40	19.40	19.35	19.28	21.71	21.71	21.67	21.58	24.23	24.23	24.23	24.19	24.09
	HI PR	272	272	276	280	314	314	318	322	360	360	363	368	410	410	413	418	464	464	464	466	471
	LO PR	136	136	148	161	139	139	150	163	142	142	152	165	146	146	154	168	150	150	150	156	170

HEATING		48 Size Outdoor With FS(M,U)4P48**A* Indoor Heating																															
		Outdoor Ambient Temperature – Degrees F, Dry Bulb																															
		-3				7				17				27				37				47				57				67			
		Entering Indoor Temperature – Degrees F, Dry Bulb																															
CFM		65	70	75	65	70	75	65	70	75	65	70	75	65	70	75	65	70	75	65	70	75	65	70	75								
1400	MBh†	18.54	17.79	16.95	23.54	22.85	22.10	28.92	28.29	27.58	34.75	34.15	33.49	41.04	40.45	39.82	48.01	47.29	46.65	56.46	55.57	54.69	66.21	65.13	64.05								
	T/R	13.40	13.00	12.50	16.90	16.60	16.20	20.60	20.30	20.00	24.50	24.30	24.00	28.70	28.50	28.30	33.20	33.00	32.90	38.70	38.50	38.20	45.00	44.70	44.40								
	AMPS*	13.73	14.36	14.97	14.17	14.86	15.56	14.59	15.35	16.13	15.05	15.85	16.68	15.54	16.40	17.29	16.11	17.00	17.94	16.90	17.82	18.79	17.88	18.84	19.83								
	HI PR	235	251	268	249	266	283	264	282	301	281	300	320	301	321	341	323	344	365	351	373	395	385	408	430								
	LO PR	38	38	38	48	49	49	61	61	62	75	75	75	90	90	91	107	107	108	126	127	127	149	149	149								
1600	MBh†	18.98	18.24	17.40	24.01	23.34	22.59	29.43	28.80	28.12	35.28	34.70	34.06	41.63	41.04	40.43	48.90	48.00	47.31	57.41	56.49	55.58	67.39	66.28	65.19								
	T/R	12.00	11.70	11.20	15.10	14.80	14.50	18.30	18.10	17.80	21.80	21.60	21.40	25.40	25.30	25.20	29.60	29.30	29.20	34.50	34.20	34.00	40.10	39.80	39.50								
	AMPS*	13.93	14.57	15.19	14.31	15.01	15.71	14.66	15.41	16.18	15.03	15.84	16.66	15.44	16.29	17.17	15.95	16.80	17.71	16.61	17.51	18.46	17.48	18.41	19.39								
	HI PR	231	247	264	243	260	278	257	275	293	273	291	311	290	310	330	311	330	352	336	357	379	368	389	412								
	LO PR	38	38	38	48	49	49	61	61	61	74	75	75	90	90	91	107	107	108	126	126	127	148	149	149								
1800	MBh†	19.41	18.65	17.81	24.45	23.77	23.03	29.87	29.26	28.57	35.76	35.18	34.55	42.14	41.56	40.95	49.54	48.64	47.90	58.20	57.27	56.36	68.36	67.24	66.14								
	T/R	10.90	10.60	10.20	13.60	13.40	13.10	16.50	16.30	16.10	19.60	19.50	19.30	22.90	22.80	22.70	26.70	26.40	26.30	31.10	30.80	30.60	36.10	35.90	35.60								
	AMPS*	14.18	14.81	15.44	14.50	15.20	15.91	14.79	15.54	16.32	15.10	15.90	16.72	15.44	16.28	17.15	15.89	16.72	17.62	16.48	17.36	18.29	17.27	18.18	19.14								
	HI PR	228	244	261	239	256	274	251	269	288	266	284	304	282	301	321	301	320	341	324	345	367	354	376	398								
	LO PR	38	38	38	48	49	49	61	61	61	74	75	75	90	90	90	106	107	107	126	126	127	148	148	149								

See Notes following tables.

COOLING		60 Size Outdoor With FS(M,U)4X60**A* Indoor Cooling																			
		Outdoor Ambient Temperature – Degrees F, Dry Bulb																			
		75				85				95				105				115			
		Entering Indoor Temperature – Degrees F, Dry Bulb																			
CFM		57	62	67	72	57	62	67	72	57	62	67	72	57	62	67	72	57	62	67	72
1750	MBh†	55.23	56.78	62.09	67.81	52.89	53.89	58.84	64.18	50.39	50.86	55.38	60.30	47.68	47.70	51.69	56.16	44.70	44.70	47.71	51.73
	S/T‡	1.00	0.88	0.67	0.49	1.00	0.90	0.69	0.50	1.00	0.93	0.70	0.51	1.00	1.00	0.73	0.52	1.00	1.00	0.75	0.53
	AMPS*	17.49	17.53	17.65	17.77	19.39	19.42	19.53	19.65	21.50	21.51	21.61	21.72	23.81	23.81	23.90	23.99	26.34	26.34	26.40	26.46
	HI PR	279	281	286	291	322	323	328	333	368	369	374	379	419	419	424	429	473	473	478	483
	LO PR	128	132	144	157	131	134	146	160	135	136	148	162	139	139	151	165	143	143	154	168
2000	MBh†	57.21	57.83	63.02	68.76	54.70	54.88	59.62	64.97	52.01	52.00	56.00	60.91	49.09	49.08	52.16	56.61	45.87	45.87	48.03	52.03
	S/T‡	1.00	0.92	0.70	0.50	1.00	0.99	0.72	0.51	1.00	1.00	0.74	0.52	1.00	1.00	0.77	0.54	1.00	1.00	0.80	0.55
	AMPS*	18.04	18.06	18.17	18.29	19.94	19.94	20.05	20.17	22.04	22.04	22.13	22.23	24.35	24.35	24.41	24.49	26.87	26.87	26.90	26.96
	HI PR	282	282	287	292	324	324	329	334	371	371	375	381	421	421	425	430	476	476	479	484
	LO PR	134	135	147	161	137	137	149	163	140	140	151	165	144	144	154	168	149	149	156	171
2250	MBh†	58.83	58.83	63.66	69.43	56.16	56.15	60.14	65.50	53.29	53.29	56.40	61.30	50.18	50.18	52.44	56.88	46.77	46.76	48.21	52.11
	S/T‡	1.00	1.00	0.73	0.52	1.00	1.00	0.75	0.53	1.00	1.00	0.78	0.54	1.00	1.00	0.81	0.56	1.00	1.00	0.84	0.58
	AMPS*	18.58	18.58	18.69	18.81	20.48	20.48	20.57	20.68	22.57	22.57	22.64	22.74	24.87	24.87	24.92	25.00	27.39	27.39	27.41	27.45
	HI PR	284	284	288	293	326	326	330	335	373	373	376	381	423	423	426	431	478	478	479	484
	LO PR	138	138	150	163	142	142	152	166	145	145	154	168	149	149	156	170	153	153	159	173

HEATING		60 Size Outdoor With FS(M,U)4X60**A* Indoor Heating																															
		Outdoor Ambient Temperature – Degrees F, Dry Bulb																															
		-3				7				17				27				37				47				57				67			
		Entering Indoor Temperature – Degrees F, Dry Bulb																															
CFM		65	70	75	65	70	75	65	70	75	65	70	75	65	70	75	65	70	75	65	70	75	65	70	75								
1750	MBh†	23.58	22.60	21.54	29.51	28.66	27.71	35.74	34.94	34.08	42.30	41.55	40.75	49.30	48.50	47.94	57.00	56.14	55.26	66.22	65.14	64.10	76.76	75.49	74.23								
	T/R	12.60	12.20	11.70	15.90	15.60	15.20	19.40	19.10	18.80	23.10	22.90	22.60	27.00	26.80	26.80	31.50	31.30	31.10	36.80	36.50	36.30	42.90	42.60	42.30								
	AMPS*	15.89	16.55	17.22	16.51	17.25	18.01	17.13	17.93	18.76	17.80	18.66	19.54	18.55	19.45	20.42	19.39	20.35	21.34	20.49	21.48	22.52	21.57	22.65	23.80								
	HI PR	231	247	264	244	261	279	258	276	295	275	293	312	293	312	333	314	334	355	341	362	384	368	391	414								
	LO PR	36	36	37	47	47	47	58	59	59	71	72	72	86	86	87	102	103	103	121	122	122	143	143	144								
2000	MBh†	24.18	23.20	22.14	30.13	29.26	28.35	36.40	35.60	34.75	42.98	42.25	41.46	50.08	49.28	48.46	57.95	57.00	56.15	67.33	66.23	65.15	77.76	76.69	75.54								
	T/R	11.30	11.00	10.60	14.20	13.90	13.60	17.20	17.00	16.80	20.50	20.30	20.10	24.00	23.90	23.70	28.00	27.80	27.60	32.70	32.50	32.30	38.00	37.90	37.70								
	AMPS*	16.24	16.90	17.58	16.80	17.53	18.29	17.34	18.14	18.97	17.94	18.79	19.66	18.60	19.49	20.42	19.36	20.28	21.27	20.35	21.31	22.33	21.22	22.27	23.38								
	HI PR	228	244	260	239	256	274	252	270	288	267	285	304	283	302	322	302	322	343	327	348	369	350	372	395								
	LO PR	36	36	37	46	47	47	58	58	59	71	71	72	86	86	86	102	103	103	121	122	122	142	143	143								
2250	MBh†	24.74	23.76	22.69	30.70	29.82	28.93	37.00	36.20	35.36	43.61	42.87	42.10	50.76	49.96	49.15	58.77	57.78	56.90	68.32	67.18	66.07	78.45	77.49	76.45								
	T/R	10.30	10.00	9.60	12.80	12.60	12.30	15.60	15.40	15.20	18.50	18.30	18.20	21.70	21.50	21.40	25.20	25.00	24.90	29.50	29.30	29.10	34.10	34.00	33.90								
	AMPS*	16.62	17.29	17.97	17.12	17.87	18.62	17.61	18.41	19.24	18.16	19.00	19.87	18.75	19.63	20.55	19.45	20.35	21.32	20.38	21.32	22.31	21.12	22.12	23.19								
	HI PR	225	241	258	235	252	270	247	265	283	260	279	298	276	295	315	293	313	333	316	337	358	337	358	381								
	LO PR	36	36	37	46	47	47	58	58	59	71	71	72	86	86	86	102	102	103	121	121	122	141	142	143								

See Notes following tables.

- † Total capacities are net (I.D. blower heat subtracted) system capacities based on 25' line set.
If additional tubing length and/or indoor unit is located above outdoor unit, a slight variation in capacity may occur.
- †† At TVA rating indoor condition (75 °F db, 63 °F wb), all other indoor air temperatures are at 80 °F db
If additional tubing length and/or indoor unit is located above outdoor unit, a slight variation in capacity may occur.
- ^ System amps are total of indoor and outdoor amps.
- ‡ Chart data is for 80° F indoor dry bulb. For indoor db temperatures other than 80° F, measure Indoor db and Indoor CFM, and plug these into the formula below. Measure outdoor db and indoor wet bulb, apply these to the chart above, find MBh and S/T, and plug these into the formula below.
(Note: if indoor db is the only thing changing, total capacity, MBh, stays the same.)

T/R Temp Rise is based on 25' line set
If additional tubing length and/or indoor unit is located above outdoor unit, a slight variation in Temp Rise may occur.

Sensible Capacity at Indoor db LOWER than 80 °F = (MBh x S/T) - $\left(\frac{(80 - \text{Indoor db}) \times 835 \times \text{Indoor CFM}}{1000} \right)$

Sensible Capacity at Indoor db HIGHER than 80 °F = (MBh x S/T) + $\left(\frac{(\text{Indoor db} - 80) \times 835 \times \text{Indoor CFM}}{1000} \right)$

COOLING & HEATING Multiplying Factors for other Indoor Combinations

Indoor Model	Furnace Model	Capac. (MBh)	Power (AMPS)	Indoor Model	Furnace Model	Capac. (MBh)	Power (AMPS)	Indoor Model	Furnace Model	Capac. (MBh)	Power (AMPS)
HC4H318											
COOLING											
>FEM4X18***		1.00	1.00	EN(A,D)4X24*14**	*8MX*0451408**	0.99	0.99	ENH4X24*17**	*9MVX040	0.99	0.99
EHD4X24A**	*8MV*0701412**	0.99	0.99	EN(A,D)4X24*17**	*8MV*0901716**	0.99	0.99	ENH4X24*17**	*9MVX060	0.99	0.99
EHD4X24A**	*8MV*0901716**	0.99	0.99	EN(A,D)4X24*17**	NOMV106D12*	0.99	0.99	ENH4X24*17**	MV08B15**B*	0.99	0.99
EHD4X24A**	*8MX*0451408**	0.99	0.99	EN(A,D)4X24*17**	OLV098A12A	0.99	0.99	ENH4X24*17**	NOMV106D12*	0.99	0.99
EHD4X24A**	NOMV106D12*	0.99	0.99	EN(A,D)4X24*17**	OMV098J12A	0.99	0.99	ENH4X24*17**	OLV098A12A	0.99	0.99
EN(A,D)4X18*14**	*8MX*0451408**	0.98	0.98	ENH4X24*17**	*8MPV050	0.99	0.99	ENH4X24*17**	OMV098J12A	0.99	0.99
EN(A,D)4X19*17**	*8MV*0901716**	1.00	1.00	ENH4X24*17**	*8MV*0701412**	0.99	0.99	FEM4P18**A*		0.98	0.98
EN(A,D)4X19*17**	NOMV106D12*	1.00	1.00	ENH4X24*17**	*8MV*0901716**	0.99	0.99	FEM4P24**A*		0.99	0.99
EN(A,D)4X19*17**	OLV098A12A	1.00	1.00	ENH4X24*17**	*8MX*0451408**	0.99	0.99	FVM4X24****		0.99	0.99
EN(A,D)4X19*17**	OMV098J12A	1.00	1.00	ENH4X24*17**	*9MPV050	0.99	0.99	FXM4X18**A*		1.00	1.00
EN(A,D)4X24*14**	*8MV*0701412**	0.99	0.99	ENH4X24*17**	*9MPV075	0.99	0.99	FXM4X24**A*		1.01	1.01
HEATING											
>FEM4X18***		1.00	1.00	EN(A,D)4X24*14**	*8MX*0451408**	1.00	0.98	ENH4X24*17**	*9MVX060	1.00	0.96
EHD4X24A**	*8MV*0701412**	0.99	1.00	EN(A,D)4X24*14**		1.03	1.06	ENH4X24*17**	MV08B15**B*	0.99	0.97
EHD4X24A**	*8MV*0901716**	0.99	0.99	EN(A,D)4X24*17**	*8MV*0901716**	0.99	0.99	ENH4X24*17**	NOMV106D12*	0.99	0.98
EHD4X24A**	*8MX*0451408**	1.00	0.99	EN(A,D)4X24*17**	NOMV106D12*	0.99	0.98	ENH4X24*17**	OLV098A12A	1.00	0.98
EHD4X24A**	NOMV106D12*	0.99	0.98	EN(A,D)4X24*17**	OLV098A12A	1.00	0.98	ENH4X24*17**	OMV098J12A	1.00	0.96
EN(A,D)4X18*14**	*8MV*0701412**	0.99	1.01	EN(A,D)4X24*17**	OMV098J12A	1.00	0.96	ENH4X24*17**		1.03	1.06
EN(A,D)4X18*14**	*8MX*0451408**	0.99	1.00	EN(A,D)4X24*17**		1.03	1.06	FEM4P18**A*		0.99	0.99
EN(A,D)4X18*14**		1.02	1.08	ENH4X24*17**	*8MPV050	1.00	0.96	FEM4P24**A*		1.00	1.01
EN(A,D)4X19*17**	*8MV*0901716**	1.00	0.98	ENH4X24*17**	*8MV*0701412**	0.99	1.00	FS(M,U)4P18**A*		1.01	1.05
EN(A,D)4X19*17**	NOMV106D12*	1.00	0.97	ENH4X24*17**	*8MV*0901716**	0.99	0.99	FS(M,U)4P24**A*		1.01	1.05
EN(A,D)4X19*17**	OLV098A12A	1.00	0.96	ENH4X24*17**	*8MX*0451408**	1.00	0.98	FVM4X24****		0.99	0.96
EN(A,D)4X19*17**	OMV098J12A	1.00	0.94	ENH4X24*17**	*9MPV050	1.00	0.96	FXM4X18**A*		1.00	0.96
EN(A,D)4X19*17**		1.03	1.06	ENH4X24*17**	*9MPV075	1.00	0.96	FXM4X24**A*		1.00	0.97
EN(A,D)4X24*14**	*8MV*0701412**	0.99	1.00	ENH4X24*17**	*9MVX040	1.00	0.96	—	—	—	—
HC4H324											
COOLING											
>FEM4P24**A*		1.00	1.00	ENH4X24*17**	*8MPV075	1.00	0.91	ENH4X30*17**	*9MVX080	1.02	0.89
EHD4X24A**	*8MV*0701412**	1.00	0.88	ENH4X24*17**	*8MPV100	1.00	0.88	ENH4X30*17**	*9MVX100	1.02	0.89
EHD4X24A**	*8MV*0901716**	1.00	0.88	ENH4X24*17**	*8MPV125	1.00	0.88	ENH4X30*17**	MV08B15**B*	1.02	0.89
EHD4X24A**	*8MV*1102120**	1.00	0.88	ENH4X24*17**	*8MV*0701412**	1.00	0.88	ENH4X30*17**	MV12F19**B*	1.02	0.89
EHD4X24A**	*8MV*1352422**	1.00	0.88	ENH4X24*17**	*8MV*0901716**	1.00	0.88	ENH4X30*17**	NOMV106D12*	1.02	0.89
EHD4X24A**	*8MX*0451408**	1.00	0.88	ENH4X24*17**	*8MV*1102120**	1.00	0.88	ENH4X30*17**	OLV098A12A	1.02	0.89
EHD4X24A**	NOMV106D12*	1.00	0.88	ENH4X24*17**	*8MV*1352422**	1.00	0.88	ENH4X30*17**	OMV098J12A	1.02	0.89
EHD4X30A**	*8MV*0701412**	1.02	0.89	ENH4X24*17**	*8MX*0451408**	1.00	0.91	ENH4X30*17**	OMV112K14A	1.02	0.89
EHD4X30A**	*8MV*0901716**	1.02	0.89	ENH4X24*17**	*9MPV050	1.00	0.91	ENH4X30*17**		1.02	0.97
EHD4X30A**	*8MV*1102120**	1.02	0.89	ENH4X24*17**	*9MPV075	1.00	0.91	ENH4X31*17**	*8MPV050	1.03	0.94
EHD4X30A**	*8MV*1352422**	1.02	0.89	ENH4X24*17**	*9MPV100	1.00	0.91	ENH4X31*17**	*8MPV075	1.03	0.91
EHD4X30A**	*8MX*0451408**	1.02	0.89	ENH4X24*17**	*9MPV125	1.00	0.91	ENH4X31*17**	*8MPV100	1.03	0.91
EHD4X30A**	NOMV106D12*	1.02	0.89	ENH4X24*17**	*9MVX040	1.00	0.91	ENH4X31*17**	*8MPV125	1.03	0.91
EN(A,D)4X24*14**	*8MV*0701412**	1.00	0.88	ENH4X24*17**	*9MVX060	1.00	0.91	ENH4X31*17**	*8MV*0701412**	1.03	0.91

> Indicates Tested Indoor Model

COOLING & HEATING Multiplying Factors for other Indoor Combinations (continued)

Indoor Model	Furnace Model	Capac. (MBh)	Power (AMPS)	Indoor Model	Furnace Model	Capac. (MBh)	Power (AMPS)	Indoor Model	Furnace Model	Capac. (MBh)	Power (AMPS)
EN(A,D)4X24*14**	*8MX*0451408**	1.00	0.91	ENH4X24*17**	*9MVX080	1.00	0.91	ENH4X31*17**	*8MV*0901716**	1.03	0.91
EN(A,D)4X24*14**		1.00	0.95	ENH4X24*17**	*9MVX100	1.00	0.88	ENH4X31*17**	*8MV*1102120**	1.03	0.91
EN(A,D)4X24*17**	*8MV*0901716**	1.00	0.88	ENH4X24*17**	MV08B15**B*	1.00	0.88	ENH4X31*17**	*8MV*1352422**	1.03	0.91
EN(A,D)4X24*17**	NOMV106D12*	1.00	0.88	ENH4X24*17**	MV12F19**B*	1.00	0.88	ENH4X31*17**	*8MX*0451408**	1.03	0.91
EN(A,D)4X24*17**	OLV098A12A	1.00	0.91	ENH4X24*17**	NOMV106D12*	1.00	0.88	ENH4X31*17**	*9MPV050	1.03	0.91
EN(A,D)4X24*17**	OMV098J12A	1.00	0.91	ENH4X24*17**	OLV098A12A	1.00	0.91	ENH4X31*17**	*9MPV075	1.03	0.91
EN(A,D)4X24*17**	OMV112K14A	1.00	0.88	ENH4X24*17**	OMV098J12A	1.00	0.91	ENH4X31*17**	*9MPV100	1.03	0.91
EN(A,D)4X24*17**		1.00	0.95	ENH4X24*17**	OMV112K14A	1.00	0.88	ENH4X31*17**	*9MPV125	1.03	0.91
EN(A,D)4X30*14**	*8MV*0701412**	1.02	0.89	ENH4X24*17**		1.00	0.95	ENH4X31*17**	*9MVX040	1.03	0.91
EN(A,D)4X30*14**	*8MX*0451408**	1.02	0.89	ENH4X30*17**	*8MPV050	1.02	0.93	ENH4X31*17**	*9MVX060	1.03	0.91
EN(A,D)4X30*14**		1.02	0.97	ENH4X30*17**	*8MPV075	1.02	0.89	ENH4X31*17**	*9MVX080	1.03	0.91
EN(A,D)4X30*17**	*8MV*0901716**	1.02	0.89	ENH4X30*17**	*8MPV100	1.02	0.89	ENH4X31*17**	*9MVX100	1.03	0.91
EN(A,D)4X30*17**	NOMV106D12*	1.02	0.89	ENH4X30*17**	*8MPV125	1.02	0.89	ENH4X31*17**	MV08B15**B*	1.03	0.91
EN(A,D)4X30*17**	OLV098A12A	1.02	0.89	ENH4X30*17**	*8MV*0701412**	1.02	0.89	ENH4X31*17**	MV12F19**B*	1.03	0.91
EN(A,D)4X30*17**	OMV098J12A	1.02	0.89	ENH4X30*17**	*8MV*0901716**	1.02	0.89	ENH4X31*17**	NOMV106D12*	1.03	0.91
EN(A,D)4X30*17**	OMV112K14A	1.02	0.89	ENH4X30*17**	*8MV*1102120**	1.02	0.89	ENH4X31*17**	OLV098A12A	1.03	0.91
EN(A,D)4X30*17**		1.02	0.97	ENH4X30*17**	*8MV*1352422**	1.02	0.89	ENH4X31*17**	OMV098J12A	1.03	0.91
EN(A,D)4X31*17**	*8MV*0901716**	1.03	0.91	ENH4X30*17**	*8MX*0451408**	1.02	0.89	ENH4X31*17**	OMV112K14A	1.03	0.91
EN(A,D)4X31*17**	NOMV106D12*	1.03	0.91	ENH4X30*17**	*9MPV050	1.02	0.93	ENH4X31*17**		1.03	0.99
EN(A,D)4X31*17**	OLV098A12A	1.03	0.91	ENH4X30*17**	*9MPV075	1.02	0.93	FEM4P30**A*		1.02	0.89
EN(A,D)4X31*17**	OMV098J12A	1.03	0.91	ENH4X30*17**	*9MPV100	1.02	0.89	FS(M,U)4P24**A*		1.01	0.96
EN(A,D)4X31*17**	OMV112K14A	1.03	0.91	ENH4X30*17**	*9MPV125	1.02	0.89	FS(M,U)4P30**A*		1.02	0.97
EN(A,D)4X31*17**		1.03	0.99	ENH4X30*17**	*9MVX040	1.02	0.93	FVM4X24****		1.02	0.89
ENH4X24*17**	*8MPV050	1.00	0.95	ENH4X30*17**	*9MVX060	1.02	0.93	FVM4X36****		1.03	0.90
—	—	—	—	—	—	—	—	FXM4X24**A*		1.03	0.90
—	—	—	—	—	—	—	—	FXM4X30**A*		1.03	0.94

HEATING

>FEM4P24**A*		1.00	1.00	ENH4X24*17**	*8MPV075	1.00	0.92	ENH4X30*17**	*9MVX080	1.01	0.89
EHD4X24A**	*8MV*0701412**	1.00	0.95	ENH4X24*17**	*8MPV100	1.00	0.90	ENH4X30*17**	*9MVX100	1.01	0.90
EHD4X24A**	*8MV*0901716**	1.00	0.93	ENH4X24*17**	*8MPV125	1.00	0.90	ENH4X30*17**	MV08B15**B*	1.01	0.92
EHD4X24A**	*8MV*1102120**	1.00	0.94	ENH4X24*17**	*8MV*0701412**	1.00	0.94	ENH4X30*17**	MV12F19**B*	1.01	0.92
EHD4X24A**	*8MV*1352422**	1.00	0.94	ENH4X24*17**	*8MV*0901716**	1.00	0.93	ENH4X30*17**	NOMV106D12*	1.01	0.95
EHD4X24A**	*8MX*0451408**	1.00	0.94	ENH4X24*17**	*8MV*1102120**	1.00	0.94	ENH4X30*17**	OLV098A12A	1.01	0.93
EHD4X24A**	NOMV106D12*	1.00	0.95	ENH4X24*17**	*8MV*1352422**	1.00	0.94	ENH4X30*17**	OMV098J12A	1.01	0.94
EHD4X30A**	*8MV*0701412**	1.01	0.96	ENH4X24*17**	*8MX*0451408**	1.00	0.94	ENH4X30*17**	OMV112K14A	1.01	0.93
EHD4X30A**	*8MV*0901716**	1.01	0.94	ENH4X24*17**	*9MPV050	1.00	0.95	ENH4X30*17**		1.01	0.98
EHD4X30A**	*8MV*1102120**	1.01	0.95	ENH4X24*17**	*9MPV075	1.00	0.94	ENH4X31*17**	*8MPV050	1.02	0.90
EHD4X30A**	*8MV*1352422**	1.01	0.95	ENH4X24*17**	*9MPV100	1.00	0.92	ENH4X31*17**	*8MPV075	1.02	0.87
EHD4X30A**	*8MX*0451408**	1.01	0.94	ENH4X24*17**	*9MPV125	1.00	0.91	ENH4X31*17**	*8MPV100	1.02	0.85
EHD4X30A**	NOMV106D12*	1.01	0.96	ENH4X24*17**	*9MVX040	1.00	0.94	ENH4X31*17**	*8MPV125	1.02	0.85
EN(A,D)4X24*14**	*8MV*0701412**	1.00	0.94	ENH4X24*17**	*9MVX060	1.00	0.93	ENH4X31*17**	*8MV*0701412**	1.02	0.93
EN(A,D)4X24*14**	*8MX*0451408**	1.00	0.94	ENH4X24*17**	*9MVX080	1.00	0.90	ENH4X31*17**	*8MV*0901716**	1.02	0.92
EN(A,D)4X24*14**		1.00	0.97	ENH4X24*17**	*9MVX100	1.00	0.91	ENH4X31*17**	*8MV*1102120**	1.02	0.92
EN(A,D)4X24*17**	*8MV*0901716**	1.00	0.93	ENH4X24*17**	MV08B15**B*	1.00	0.92	ENH4X31*17**	*8MV*1352422**	1.02	0.91
EN(A,D)4X24*17**	NOMV106D12*	1.00	0.95	ENH4X24*17**	MV12F19**B*	1.00	0.92	ENH4X31*17**	*8MX*0451408**	1.02	0.90
EN(A,D)4X24*17**	OLV098A12A	1.00	0.93	ENH4X24*17**	NOMV106D12*	1.00	0.95	ENH4X31*17**	*9MPV050	1.02	0.91

> Indicates Tested Indoor Model

COOLING & HEATING Multiplying Factors for other Indoor Combinations (continued)

Indoor Model	Furnace Model	Capac. (MBh)	Power (AMPS)	Indoor Model	Furnace Model	Capac. (MBh)	Power (AMPS)	Indoor Model	Furnace Model	Capac. (MBh)	Power (AMPS)
EN(A,D)4X24*17**	OMV098J12A	1.00	0.93	ENH4X24*17**	OLV098A12A	1.00	0.93	ENH4X31*17**	*9MPV075	1.02	0.90
EN(A,D)4X24*17**	OMV112K14A	1.00	0.93	ENH4X24*17**	OMV098J12A	1.00	0.93	ENH4X31*17**	*9MPV100	1.02	0.87
EN(A,D)4X24*17**		1.00	0.97	ENH4X24*17**	OMV112K14A	1.00	0.93	ENH4X31*17**	*9MPV125	1.02	0.86
EN(A,D)4X30*14**	*8MV*0701412**	1.01	0.96	ENH4X24*17**		1.00	0.97	ENH4X31*17**	*9MVX040	1.02	0.91
EN(A,D)4X30*14**	*8MX*0451408**	1.01	0.95	ENH4X30*17**	*8MPV050	1.01	0.93	ENH4X31*17**	*9MVX060	1.02	0.89
EN(A,D)4X30*14**		1.01	0.98	ENH4X30*17**	*8MPV075	1.01	0.91	ENH4X31*17**	*9MVX080	1.02	0.86
EN(A,D)4X30*17**	*8MV*0901716**	1.01	0.94	ENH4X30*17**	*8MPV100	1.01	0.88	ENH4X31*17**	*9MVX100	1.02	0.86
EN(A,D)4X30*17**	NOMV106D12*	1.01	0.95	ENH4X30*17**	*8MPV125	1.01	0.88	ENH4X31*17**	MV08B15**B*	1.02	0.90
EN(A,D)4X30*17**	OLV098A12A	1.01	0.93	ENH4X30*17**	*8MV*0701412**	1.01	0.95	ENH4X31*17**	MV12F19**B*	1.02	0.90
EN(A,D)4X30*17**	OMV098J12A	1.01	0.94	ENH4X30*17**	*8MV*0901716**	1.01	0.94	ENH4X31*17**	NOMV106D12*	1.02	0.92
EN(A,D)4X30*17**	OMV112K14A	1.01	0.93	ENH4X30*17**	*8MV*1102120**	1.01	0.94	ENH4X31*17**	OLV098A12A	1.02	0.90
EN(A,D)4X30*17**		1.01	0.98	ENH4X30*17**	*8MV*1352422**	1.01	0.94	ENH4X31*17**	OMV098J12A	1.02	0.91
EN(A,D)4X31*17**	*8MV*0901716**	1.02	0.92	ENH4X30*17**	*8MX*0451408**	1.01	0.93	ENH4X31*17**	OMV112K14A	1.02	0.91
EN(A,D)4X31*17**	NOMV106D12*	1.02	0.92	ENH4X30*17**	*9MPV050	1.01	0.94	ENH4X31*17**		1.02	0.95
EN(A,D)4X31*17**	OLV098A12A	1.02	0.90	ENH4X30*17**	*9MPV075	1.01	0.93	FEM4P30**A*		1.01	0.93
EN(A,D)4X31*17**	OMV098J12A	1.02	0.91	ENH4X30*17**	*9MPV100	1.01	0.91	FS(M,U)4P24**A*		1.00	0.95
EN(A,D)4X31*17**	OMV112K14A	1.02	0.91	ENH4X30*17**	*9MPV125	1.01	0.90	FS(M,U)4P30**A*		1.01	0.95
EN(A,D)4X31*17**		1.02	0.95	ENH4X30*17**	*9MVX040	1.01	0.94	FVM4X24****		1.00	0.92
ENH4X24*17**	*8MPV050	1.00	0.93	ENH4X30*17**	*9MVX060	1.01	0.92	FVM4X36****		1.00	0.92
—	—	—	—	—	—	—	—	FXM4X24**A*		1.00	0.92
—	—	—	—	—	—	—	—	FXM4X30**A*		1.01	0.93
HC4H330											
COOLING											
>FEM4P30**A*		1.00	1.00	EN(A,D,W)4X36*17**	NOMV106D12*	0.99	0.95	ENH4X31*17**	*9MPV125	1.01	0.93
EHD4X30A**	*8MV*0701412**	1.00	0.96	EN(A,D,W)4X36*17**	OLV098A12A	1.00	0.96	ENH4X31*17**	*9MVX040	1.01	0.97
EHD4X30A**	*8MV*0901716**	1.00	0.92	EN(A,D,W)4X36*17**	OMV098J12A	1.00	0.96	ENH4X31*17**	*9MVX060	1.01	0.97
EHD4X30A**	*8MV*1102120**	1.00	0.92	EN(A,D,W)4X36*17**	OMV112K14A	1.01	0.92	ENH4X31*17**	*9MVX080	1.01	0.93
EHD4X30A**	*8MV*1352422**	1.00	0.92	EN(A,D,W)4X36*17**		1.01	1.01	ENH4X31*17**	*9MVX100	1.01	0.93
EHD4X30A**	*8MX*0701716**	1.00	0.96	ENH4X30*17**	*8MPV050	1.00	1.00	ENH4X31*17**	MV08B15**B*	1.01	0.93
EHD4X30A**	*8MX*0902116**	1.00	0.96	ENH4X30*17**	*8MPV075	1.00	0.96	ENH4X31*17**	MV12F19**B*	1.01	0.93
EHD4X30A**	NOMV106D12*	1.00	0.96	ENH4X30*17**	*8MPV100	1.00	0.92	ENH4X31*17**	NOMV106D12*	1.01	0.93
EHD4X36A**	*8MV*0701412**	1.01	0.92	ENH4X30*17**	*8MPV125	1.00	0.92	ENH4X31*17**	OLV098A12A	1.01	0.93
EHD4X36A**	*8MV*0901716**	1.01	0.92	ENH4X30*17**	*8MV*0701412**	1.00	0.96	ENH4X31*17**	OLV112A16A	1.01	0.93
EHD4X36A**	*8MV*1102120**	1.01	0.92	ENH4X30*17**	*8MV*0901716**	1.00	0.92	ENH4X31*17**	OMV098J12A	1.01	0.93
EHD4X36A**	*8MV*1352422**	1.01	0.92	ENH4X30*17**	*8MV*1102120**	1.00	0.92	ENH4X31*17**	OMV112K14A	1.01	0.93
EHD4X36A**	*8MX*0701716**	1.01	0.92	ENH4X30*17**	*8MV*1352422**	1.00	0.92	ENH4X31*17**		1.01	1.01
EHD4X36A**	*8MX*0902116**	1.01	0.92	ENH4X30*17**	*8MX*0701716**	1.00	0.96	ENH4X36*17**	*8MPV050	1.01	1.01
EHD4X36A**	NOMV106D12*	1.01	0.92	ENH4X30*17**	*8MX*0902116**	1.00	0.92	ENH4X36*17**	*8MPV075	1.01	0.96
EN(A,D)4X30*14**	*8MV*0701412**	1.00	0.96	ENH4X30*17**	*9MPV050	1.00	1.00	ENH4X36*17**	*8MPV100	1.01	0.92
EN(A,D)4X30*14**		1.00	1.00	ENH4X30*17**	*9MPV075	1.00	1.00	ENH4X36*17**	*8MPV125	1.01	0.92
EN(A,D)4X30*17**	*8MV*0901716**	1.00	0.92	ENH4X30*17**	*9MPV100	1.00	0.96	ENH4X36*17**	*8MV*0701412**	1.00	0.96
EN(A,D)4X30*17**	*8MX*0701716**	1.00	0.96	ENH4X30*17**	*9MPV125	1.00	0.92	ENH4X36*17**	*8MV*0901716**	1.00	0.92
EN(A,D)4X30*17**	NOMV106D12*	0.99	0.95	ENH4X30*17**	*9MVX040	1.00	1.00	ENH4X36*17**	*8MV*1102120**	1.01	0.92
EN(A,D)4X30*17**	OLV098A12A	1.00	0.96	ENH4X30*17**	*9MVX060	1.00	0.96	ENH4X36*17**	*8MV*1352422**	1.01	0.92
EN(A,D)4X30*17**	OMV098J12A	1.00	0.96	ENH4X30*17**	*9MVX080	1.00	0.96	ENH4X36*17**	*8MX*0701716**	1.01	0.96

> Indicates Tested Indoor Model

COOLING & HEATING Multiplying Factors for other Indoor Combinations (continued)

Indoor Model	Furnace Model	Capac. (MBh)	Power (AMPS)	Indoor Model	Furnace Model	Capac. (MBh)	Power (AMPS)	Indoor Model	Furnace Model	Capac. (MBh)	Power (AMPS)
EN(A,D)4X30*17**	OMV112K14A	1.00	0.92	ENH4X30*17**	*9MVX100	1.00	0.92	ENH4X36*17**	*8MX*0902116**	1.01	0.92
EN(A,D)4X30*17**		1.00	1.00	ENH4X30*17**	MV08B15**B*	1.00	0.92	ENH4X36*17**	*9MPV050	1.00	1.00
EN(A,D)4X31*17**	*8MV*0901716**	1.01	0.93	ENH4X30*17**	MV12F19**B*	1.00	0.92	ENH4X36*17**	*9MPV075	1.00	1.00
EN(A,D)4X31*17**	*8MX*0701716**	1.01	0.93	ENH4X30*17**	NOMV106D12*	0.99	0.95	ENH4X36*17**	*9MPV100	1.01	0.96
EN(A,D)4X31*17**	NOMV106D12*	1.01	0.93	ENH4X30*17**	OLV098A12A	1.00	0.96	ENH4X36*17**	*9MPV125	1.01	0.92
EN(A,D)4X31*17**	OLV098A12A	1.01	0.93	ENH4X30*17**	OLV112A16A	1.00	0.96	ENH4X36*17**	*9MVX040	1.00	1.00
EN(A,D)4X31*17**	OMV098J12A	1.01	0.93	ENH4X30*17**	OMV098J12A	1.00	0.96	ENH4X36*17**	*9MVX060	1.01	0.96
EN(A,D)4X31*17**	OMV112K14A	1.01	0.93	ENH4X30*17**	OMV112K14A	1.00	0.92	ENH4X36*17**	*9MVX080	1.01	0.96
EN(A,D)4X31*17**		1.01	1.01	ENH4X30*17**		1.00	1.00	ENH4X36*17**	*9MVX100	1.01	0.92
EN(A,D)4X36*21**	*8MV*1102120**	1.01	0.92	ENH4X31*17**	*8MPV050	1.01	0.97	ENH4X36*17**	MV08B15**B*	1.01	0.92
EN(A,D)4X36*21**	*8MX*0902116**	1.01	0.92	ENH4X31*17**	*8MPV075	1.01	0.93	ENH4X36*17**	MV12F19**B*	1.01	0.92
EN(A,D)4X36*21**	OLV112A16A	1.01	0.96	ENH4X31*17**	*8MPV100	1.01	0.93	ENH4X36*17**	NOMV106D12*	0.99	0.95
EN(A,D)4X36*21**		1.01	1.01	ENH4X31*17**	*8MPV125	1.01	0.93	ENH4X36*17**	OLV098A12A	1.00	0.96
EN(A,D)4X37*17**	*8MV*0901716**	1.03	0.94	ENH4X31*17**	*8MV*0701412**	1.01	0.93	ENH4X36*17**	OLV112A16A	1.01	0.96
EN(A,D)4X37*17**	*8MX*0701716**	1.03	0.94	ENH4X31*17**	*8MV*0901716**	1.01	0.93	ENH4X36*17**	OMV098J12A	1.00	0.96
EN(A,D)4X37*17**	NOMV106D12*	1.03	0.94	ENH4X31*17**	*8MV*1102120**	1.01	0.93	ENH4X36*17**	OMV112K14A	1.01	0.92
EN(A,D)4X37*17**	OLV098A12A	1.03	0.94	ENH4X31*17**	*8MV*1352422**	1.01	0.93	ENH4X36*17**		1.01	1.01
EN(A,D)4X37*17**	OMV098J12A	1.03	0.94	ENH4X31*17**	*8MX*0701716**	1.01	0.93	FEM4P36**A*		1.01	0.96
EN(A,D)4X37*17**	OMV112K14A	1.03	0.94	ENH4X31*17**	*8MX*0902116**	1.01	0.93	FS(M,U)4P30**A*		1.00	0.96
EN(A,D)4X37*17**		1.03	1.03	ENH4X31*17**	*9MPV050	1.01	0.97	FS(M,U)4P36**A*		1.01	1.01
EN(A,D,W)4X36*17**	*8MV*0901716**	1.00	0.92	ENH4X31*17**	*9MPV075	1.01	0.97	FVM4X24****		1.00	0.96
EN(A,D,W)4X36*17**	*8MX*0701716**	1.01	0.96	ENH4X31*17**	*9MPV100	1.01	0.93	FVM4X36****		1.01	0.92
—	—	—	—	—	—	—	—	FVM4X48****		1.02	0.94
—	—	—	—	—	—	—	—	FXM4X30**A*		1.01	0.92
—	—	—	—	—	—	—	—	FXM4X36**A*		1.02	0.94
HEATING											
>FEM4P30**A*		1.00	1.00	EN(A,D,W)4X36*17**	NOMV106D12*	0.98	0.96	ENH4X31*17**	*9MPV125	1.01	0.91
EHD4X30A**	*8MV*0701412**	0.99	0.96	EN(A,D,W)4X36*17**	OLV098A12A	0.99	0.97	ENH4X31*17**	*9MVX040	1.01	0.95
EHD4X30A**	*8MV*0901716**	0.99	0.95	EN(A,D,W)4X36*17**	OMV098J12A	1.00	0.97	ENH4X31*17**	*9MVX060	1.01	0.94
EHD4X30A**	*8MV*1102120**	0.99	0.95	EN(A,D,W)4X36*17**	OMV112K14A	0.99	0.95	ENH4X31*17**	*9MVX080	1.01	0.91
EHD4X30A**	*8MV*1352422**	0.99	0.95	EN(A,D,W)4X36*17**		1.01	1.00	ENH4X31*17**	*9MVX100	1.01	0.92
EHD4X30A**	*8MX*0701716**	1.00	0.97	ENH4X30*17**	*8MPV050	1.00	0.98	ENH4X31*17**	MV08B15**B*	1.00	0.91
EHD4X30A**	*8MX*0902116**	0.99	0.96	ENH4X30*17**	*8MPV075	1.00	0.96	ENH4X31*17**	MV12F19**B*	0.99	0.90
EHD4X30A**	NOMV106D12*	0.99	0.97	ENH4X30*17**	*8MPV100	0.99	0.94	ENH4X31*17**	NOMV106D12*	0.99	0.94
EHD4X36A**	*8MV*0701412**	0.99	0.94	ENH4X30*17**	*8MPV125	0.99	0.94	ENH4X31*17**	OLV098A12A	1.00	0.94
EHD4X36A**	*8MV*0901716**	0.99	0.93	ENH4X30*17**	*8MV*0701412**	0.99	0.96	ENH4X31*17**	OLV112A16A	1.01	0.93
EHD4X36A**	*8MV*1102120**	0.99	0.93	ENH4X30*17**	*8MV*0901716**	0.99	0.95	ENH4X31*17**	OMV098J12A	1.01	0.95
EHD4X36A**	*8MV*1352422**	0.99	0.92	ENH4X30*17**	*8MV*1102120**	0.99	0.95	ENH4X31*17**	OMV112K14A	1.00	0.92
EHD4X36A**	*8MX*0701716**	1.01	0.95	ENH4X30*17**	*8MV*1352422**	0.99	0.95	ENH4X31*17**		1.01	0.97
EHD4X36A**	*8MX*0902116**	1.00	0.93	ENH4X30*17**	*8MX*0701716**	1.00	0.97	ENH4X36*17**	*8MPV050	1.01	0.99
EHD4X36A**	NOMV106D12*	0.99	0.94	ENH4X30*17**	*8MX*0902116**	0.99	0.95	ENH4X36*17**	*8MPV075	1.00	0.96
EN(A,D)4X30*14**	*8MV*0701412**	0.99	0.97	ENH4X30*17**	*9MPV050	1.00	0.98	ENH4X36*17**	*8MPV100	0.99	0.94
EN(A,D)4X30*14**		1.00	0.99	ENH4X30*17**	*9MPV075	1.00	0.98	ENH4X36*17**	*8MPV125	0.99	0.94
EN(A,D)4X30*17**	*8MV*0901716**	0.99	0.95	ENH4X30*17**	*9MPV100	1.00	0.95	ENH4X36*17**	*8MV*0701412**	0.99	0.96
EN(A,D)4X30*17**	*8MX*0701716**	1.00	0.97	ENH4X30*17**	*9MPV125	0.99	0.94	ENH4X36*17**	*8MV*0901716**	0.99	0.95
EN(A,D)4X30*17**	NOMV106D12*	0.98	0.96	ENH4X30*17**	*9MVX040	1.00	0.98	ENH4X36*17**	*8MV*1102120**	0.99	0.95

> Indicates Tested Indoor Model

COOLING & HEATING Multiplying Factors for other Indoor Combinations (continued)

Indoor Model	Furnace Model	Capac. (MBh)	Power (AMPS)	Indoor Model	Furnace Model	Capac. (MBh)	Power (AMPS)	Indoor Model	Furnace Model	Capac. (MBh)	Power (AMPS)
EN(A,D)4X30*17**	OLV098A12A	0.99	0.97	ENH4X30*17**	*9MVX060	1.00	0.97	ENH4X36*17**	*8MV*1352422**	0.99	0.95
EN(A,D)4X30*17**	OMV098J12A	1.00	0.97	ENH4X30*17**	*9MVX080	1.00	0.94	ENH4X36*17**	*8MX*0701716**	1.00	0.97
EN(A,D)4X30*17**	OMV112K14A	0.99	0.95	ENH4X30*17**	*9MVX100	0.99	0.95	ENH4X36*17**	*8MX*0902116**	0.99	0.95
EN(A,D)4X30*17**		1.00	0.99	ENH4X30*17**	MV08B15**B*	0.99	0.93	ENH4X36*17**	*9MPV050	1.00	0.98
EN(A,D)4X31*17**	*8MV*0901716**	0.99	0.92	ENH4X30*17**	MV12F19**B*	0.99	0.93	ENH4X36*17**	*9MPV075	1.00	0.98
EN(A,D)4X31*17**	*8MX*0701716**	1.01	0.94	ENH4X30*17**	NOMV106D12*	0.98	0.96	ENH4X36*17**	*9MPV100	1.00	0.95
EN(A,D)4X31*17**	NOMV106D12*	0.99	0.94	ENH4X30*17**	OLV098A12A	0.99	0.97	ENH4X36*17**	*9MPV125	0.99	0.94
EN(A,D)4X31*17**	OLV098A12A	1.00	0.94	ENH4X30*17**	OLV112A16A	1.00	0.96	ENH4X36*17**	*9MVX040	1.00	0.98
EN(A,D)4X31*17**	OMV098J12A	1.01	0.95	ENH4X30*17**	OMV098J12A	1.00	0.97	ENH4X36*17**	*9MVX060	1.00	0.97
EN(A,D)4X31*17**	OMV112K14A	1.00	0.92	ENH4X30*17**	OMV112K14A	0.99	0.95	ENH4X36*17**	*9MVX080	1.00	0.94
EN(A,D)4X31*17**		1.01	0.97	ENH4X30*17**		1.00	0.99	ENH4X36*17**	*9MVX100	0.99	0.95
EN(A,D)4X36*21**	*8MV*1102120**	0.99	0.95	ENH4X31*17**	*8MPV050	1.01	0.95	ENH4X36*17**	MV08B15**B*	0.99	0.93
EN(A,D)4X36*21**	*8MX*0902116**	0.99	0.95	ENH4X31*17**	*8MPV075	1.01	0.92	ENH4X36*17**	MV12F19**B*	0.99	0.93
EN(A,D)4X36*21**	OLV112A16A	1.00	0.96	ENH4X31*17**	*8MPV100	1.01	0.91	ENH4X36*17**	NOMV106D12*	0.98	0.96
EN(A,D)4X36*21**		1.01	1.00	ENH4X31*17**	*8MPV125	1.01	0.91	ENH4X36*17**	OLV098A12A	0.99	0.97
EN(A,D)4X37*17**	*8MV*0901716**	1.00	0.91	ENH4X31*17**	*8MV*0701412**	1.00	0.94	ENH4X36*17**	OLV112A16A	1.00	0.96
EN(A,D)4X37*17**	*8MX*0701716**	1.01	0.92	ENH4X31*17**	*8MV*0901716**	0.99	0.92	ENH4X36*17**	OMV098J12A	1.00	0.97
EN(A,D)4X37*17**	NOMV106D12*	0.99	0.92	ENH4X31*17**	*8MV*1102120**	1.00	0.93	ENH4X36*17**	OMV112K14A	0.99	0.95
EN(A,D)4X37*17**	OLV098A12A	1.01	0.92	ENH4X31*17**	*8MV*1352422**	0.99	0.92	ENH4X36*17**		1.01	1.00
EN(A,D)4X37*17**	OMV098J12A	1.01	0.93	ENH4X31*17**	*8MX*0701716**	1.01	0.94	ENH4X36*17**	FEM4P36**A*	1.01	0.97
EN(A,D)4X37*17**	OMV112K14A	1.01	0.91	ENH4X31*17**	*8MX*0902116**	1.01	0.92	ENH4X36*17**	FS(M,U)4P30**A*	1.00	0.96
EN(A,D)4X37*17**		1.01	0.96	ENH4X31*17**	*9MPV050	1.01	0.95	ENH4X36*17**	FS(M,U)4P36**A*	1.01	0.98
EN(A,D,W)4X36*17**	*8MV*0901716**	0.99	0.95	ENH4X31*17**	*9MPV075	1.01	0.95	ENH4X36*17**	FVM4X24****	0.99	0.94
EN(A,D,W)4X36*17**	*8MX*0701716**	1.00	0.97	ENH4X31*17**	*9MPV100	1.01	0.92	ENH4X36*17**	FVM4X36****	0.98	0.92
—	—	—	—	—	—	—	—	ENH4X36*17**	FVM4X48****	0.93	0.84
—	—	—	—	—	—	—	—	ENH4X36*17**	FXM4X30**A*	1.00	0.93
—	—	—	—	—	—	—	—	ENH4X36*17**	FXM4X36**A*	1.01	0.91
HC4H336											
COOLING											
>FS(M,U)4P36**A*		1.00	1.00	END4X42*17**	*8MV*0901716**	1.01	0.93	ENH4X42*21**	*9MVX100	1.01	0.93
ED*4X42L**	*8MV*1352422**	1.00	0.92	END4X42*17**	*8MX*0701716**	1.01	0.93	ENH4X42*21**	MV08B15**B*	1.01	0.93
EHD4X36A**	*8MV*0701412**	1.00	0.92	END4X42*17**	NOMV106D12*	1.01	0.92	ENH4X42*21**	MV12F19**B*	1.01	0.93
EHD4X36A**	*8MV*0901716**	1.00	0.92	END4X42*17**	OLV098A12A	1.01	0.96	ENH4X42*21**	MV16J22**B*	1.01	0.93
EHD4X36A**	*8MV*1102120**	1.00	0.92	END4X42*17**	OMV098J12A	1.01	0.97	ENH4X42*21**	MV20L24**B*	1.01	0.93
EHD4X36A**	*8MV*1352422**	1.00	0.92	END4X42*17**	OMV112K14A	1.01	0.93	ENH4X42*21**	NOMV106D12*	1.00	0.92
EHD4X36A**	*8MX*0451408**	1.00	0.96	END4X42*17**		1.01	1.01	ENH4X42*21**	NOMV156E19*	1.01	0.92
EHD4X36A**	*8MX*0701716**	1.00	0.92	ENH4X36*17**	*8MPV075	1.00	0.96	ENH4X42*21**	OLV098A12A	1.00	0.96
EHD4X36A**	*8MX*0902116**	1.00	0.92	ENH4X36*17**	*8MPV100	1.00	0.92	ENH4X42*21**	OLV112A16A	1.01	0.93
EHD4X36A**	*8MX*1102120**	1.00	0.92	ENH4X36*17**	*8MPV125	1.00	0.92	ENH4X42*21**	OLV154F20A	1.01	0.93
EHD4X36A**	NOMV106D12*	1.00	0.92	ENH4X36*17**	*8MV*0701412**	0.99	0.95	ENH4X42*21**	OMV098J12A	1.00	0.96
EHD4X36A**	NOMV156E19*	1.00	0.92	ENH4X36*17**	*8MV*0901716**	0.99	0.91	ENH4X42*21**	OMV112K14A	1.01	0.92
EHD4X42A**	*8MV*0701412**	1.01	0.93	ENH4X36*17**	*8MV*1102120**	1.00	0.92	ENH4X42*21**		1.01	1.01
EHD4X42A**	*8MV*0901716**	1.01	0.93	ENH4X36*17**	*8MV*1352422**	0.99	0.91	ENH4X43*21**	*8MPV050	1.03	0.98
EHD4X42A**	*8MV*1102120**	1.01	0.93	ENH4X36*17**	*8MX*0701716**	0.99	0.95	ENH4X43*21**	*8MPV075	1.03	0.94
EHD4X42A**	*8MV*1352422**	1.01	0.93	ENH4X36*17**	*8MX*0902116**	1.00	0.92	ENH4X43*21**	*8MPV100	1.03	0.94

> Indicates Tested Indoor Model

COOLING & HEATING Multiplying Factors for other Indoor Combinations (continued)

Indoor Model	Furnace Model	Capac. (MBh)	Power (AMPS)	Indoor Model	Furnace Model	Capac. (MBh)	Power (AMPS)	Indoor Model	Furnace Model	Capac. (MBh)	Power (AMPS)
EHD4X42A**	*8MX*0451408**	1.01	0.97	ENH4X36*17**	*8MX*1102120**	1.00	0.92	ENH4X43*21**	*8MPV125	1.03	0.94
EHD4X42A**	*8MX*0701716**	1.01	0.93	ENH4X36*17**	*9MPV100	1.00	0.96	ENH4X43*21**	*8MV*0701412**	1.03	0.94
EHD4X42A**	*8MX*0902116**	1.01	0.93	ENH4X36*17**	*9MPV125	1.00	0.92	ENH4X43*21**	*8MV*0901716**	1.03	0.94
EHD4X42A**	*8MX*1102120**	1.01	0.93	ENH4X36*17**	*9MVX060	0.99	0.95	ENH4X43*21**	*8MV*1102120**	1.03	0.94
EHD4X42A**	NOMV106D12*	1.01	0.93	ENH4X36*17**	*9MVX080	1.00	0.96	ENH4X43*21**	*8MV*1352422**	1.03	0.94
EHD4X42A**	NOMV156E19*	1.01	0.93	ENH4X36*17**	*9MVX100	1.00	0.92	ENH4X43*21**	*8MX*0451408**	1.03	0.94
EN(A,D)4X36*21**	*8MV*1102120**	1.00	0.92	ENH4X36*17**	MV08B15**B*	1.00	0.92	ENH4X43*21**	*8MX*0701716**	1.03	0.94
EN(A,D)4X36*21**	*8MX*0902116**	1.00	0.92	ENH4X36*17**	MV12F19**B*	1.00	0.92	ENH4X43*21**	*8MX*0902116**	1.03	0.94
EN(A,D)4X36*21**	*8MX*1102120**	1.00	0.92	ENH4X36*17**	MV16J22**B*	1.00	0.92	ENH4X43*21**	*8MX*1102120**	1.03	0.94
EN(A,D)4X36*21**	NOMV156E19*	0.99	0.91	ENH4X36*17**	MV20L24**B*	1.00	0.92	ENH4X43*21**	*9MPV050	1.03	0.98
EN(A,D)4X36*21**	OLV112A16A	1.00	0.96	ENH4X36*17**	NOMV106D12*	0.99	0.95	ENH4X43*21**	*9MPV075	1.03	0.94
EN(A,D)4X36*21**		1.00	1.00	ENH4X36*17**	NOMV156E19*	0.99	0.91	ENH4X43*21**	*9MPV100	1.03	0.94
EN(A,D)4X37*17**	*8MV*0901716**	1.02	0.94	ENH4X36*17**	OLV098A12A	0.99	0.95	ENH4X43*21**	*9MPV125	1.03	0.94
EN(A,D)4X37*17**	*8MX*0701716**	1.02	0.94	ENH4X36*17**	OLV112A16A	1.00	0.96	ENH4X43*21**	*9MVX040	1.03	0.98
EN(A,D)4X37*17**	NOMV106D12*	1.02	0.94	ENH4X36*17**	OLV154F20A	1.00	0.92	ENH4X43*21**	*9MVX060	1.03	0.94
EN(A,D)4X37*17**	OLV098A12A	1.02	0.94	ENH4X36*17**	OMV112K14A	0.99	0.95	ENH4X43*21**	*9MVX080	1.03	0.94
EN(A,D)4X37*17**	OMV098J12A	1.02	0.94	ENH4X36*17**		1.00	1.00	ENH4X43*21**	*9MVX100	1.03	0.94
EN(A,D)4X37*17**	OMV112K14A	1.02	0.94	ENH4X42*21**	*8MPV050	0.99	0.99	ENH4X43*21**	MV08B15**B*	1.03	0.94
EN(A,D)4X37*17**		1.02	1.02	ENH4X42*21**	*8MPV075	1.01	0.93	ENH4X43*21**	MV12F19**B*	1.03	0.94
EN(A,D)4X43*24**	*8MV*1352422**	1.03	0.94	ENH4X42*21**	*8MPV100	1.01	0.93	ENH4X43*21**	MV16J22**B*	1.03	0.94
EN(A,D)4X43*24**	*9MPV125	1.03	0.94	ENH4X42*21**	*8MPV125	1.01	0.93	ENH4X43*21**	MV20L24**B*	1.03	0.94
EN(A,D)4X43*24**	*9MVX100	1.03	0.94	ENH4X42*21**	*8MV*0701412**	1.01	0.92	ENH4X43*21**	NOMV106D12*	1.03	0.94
EN(A,D)4X43*24**	MV20L24**B*	1.03	0.94	ENH4X42*21**	*8MV*0901716**	1.01	0.92	ENH4X43*21**	NOMV156E19*	1.03	0.94
EN(A,D)4X43*24**		1.03	0.94	ENH4X42*21**	*8MV*1102120**	1.01	0.93	ENH4X43*21**	OLV098A12A	1.03	0.94
EN(A,D,W)4X36*17**	*8MV*0901716**	0.99	0.91	ENH4X42*21**	*8MV*1352422**	1.01	0.92	ENH4X43*21**	OLV112A16A	1.03	0.94
EN(A,D,W)4X36*17**	*8MX*0701716**	0.99	0.95	ENH4X42*21**	*8MX*0451408**	1.01	0.96	ENH4X43*21**	OLV154F20A	1.03	0.94
EN(A,D,W)4X36*17**	NOMV106D12*	0.99	0.95	ENH4X42*21**	*8MX*0701716**	1.01	0.92	ENH4X43*21**	OMV098J12A	1.03	0.94
EN(A,D,W)4X36*17**	OMV098J12A	0.99	0.95	ENH4X42*21**	*8MX*0902116**	1.01	0.93	ENH4X43*21**	OMV112K14A	1.03	0.94
EN(A,D,W)4X36*17**	OMV112K14A	0.99	0.95	ENH4X42*21**	*8MX*1102120**	1.01	0.93	ENH4X43*21**		1.03	1.03
EN(A,D,W)4X36*17**		1.00	1.00	ENH4X42*21**	*9MPV050	1.00	1.00	FEM4P36**A*		1.00	0.96
EN(A,D,W)4X42*21**	*8MV*1102120**	1.01	0.93	ENH4X42*21**	*9MPV075	1.01	0.96	FEM4P42**A*		1.01	0.93
EN(A,D,W)4X42*21**	*8MX*0902116**	1.01	0.93	ENH4X42*21**	*9MPV100	1.01	0.93	FS(M,U)4P42**A*		1.01	0.97
EN(A,D,W)4X42*21**	*8MX*1102120**	1.01	0.93	ENH4X42*21**	*9MPV125	1.01	0.93	FVM4X24****		0.99	0.95
EN(A,D,W)4X42*21**	NOMV156E19*	1.01	0.92	ENH4X42*21**	*9MVX040	1.00	1.00	FVM4X36****		1.01	0.92
EN(A,D,W)4X42*21**	OLV112A16A	1.01	0.93	ENH4X42*21**	*9MVX060	1.01	0.97	FVM4X48****		1.03	0.94
EN(A,D,W)4X42*21**		1.01	1.01	ENH4X42*21**	*9MVX080	1.01	0.93	FVM4X60****		1.04	0.95
—	—	—	—	—	—	—	—	FXM4X36**A*		1.03	0.94
—	—	—	—	—	—	—	—	FXM4X42**A*		1.04	0.95
HEATING											
>FS(M,U)4P36**A*		1.00	1.00	END4X42*17**	*8MV*0901716**	0.97	0.92	ENH4X42*21**	*9MVX100	0.98	0.93
ED*4X42L**	*8MV*1352422**	0.97	0.92	END4X42*17**	*8MX*0701716**	0.98	0.94	ENH4X42*21**	MV08B15**B*	0.98	0.92
EHD4X36A**	*8MV*0701412**	0.98	0.93	END4X42*17**	NOMV106D12*	0.98	0.94	ENH4X42*21**	MV12F19**B*	0.97	0.90
EHD4X36A**	*8MV*0901716**	0.98	0.92	END4X42*17**	OLV098A12A	0.98	0.96	ENH4X42*21**	MV16J22**B*	0.97	0.90
EHD4X36A**	*8MV*1102120**	0.98	0.92	END4X42*17**	OMV098J12A	0.98	0.95	ENH4X42*21**	MV20L24**B*	0.97	0.90
EHD4X36A**	*8MV*1352422**	0.98	0.92	END4X42*17**	OMV112K14A	0.98	0.94	ENH4X42*21**	NOMV106D12*	0.97	0.94
EHD4X36A**	*8MX*0451408**	0.99	0.96	END4X42*17**		1.01	0.97	ENH4X42*21**	NOMV156E19*	0.97	0.93

> Indicates Tested Indoor Model

COOLING & HEATING Multiplying Factors for other Indoor Combinations (continued)

Indoor Model	Furnace Model	Capac. (MBh)	Power (AMPS)	Indoor Model	Furnace Model	Capac. (MBh)	Power (AMPS)	Indoor Model	Furnace Model	Capac. (MBh)	Power (AMPS)
EHD4X36A**	*8MX*0701716**	0.99	0.94	ENH4X36*17**	*8MPV075	0.98	0.96	ENH4X42*21**	OLV098A12A	0.98	0.97
EHD4X36A**	*8MX*0902116**	0.98	0.91	ENH4X36*17**	*8MPV100	0.98	0.94	ENH4X42*21**	OLV112A16A	0.99	0.95
EHD4X36A**	*8MX*1102120**	0.98	0.90	ENH4X36*17**	*8MPV125	0.98	0.94	ENH4X42*21**	OLV154F20A	0.99	0.91
EHD4X36A**	NOMV106D12*	0.98	0.94	ENH4X36*17**	*8MV*0701412**	0.97	0.95	ENH4X42*21**	OMV098J12A	0.98	0.96
EHD4X36A**	NOMV156E19*	0.98	0.93	ENH4X36*17**	*8MV*0901716**	0.96	0.94	ENH4X42*21**	OMV112K14A	0.98	0.94
EHD4X42A**	*8MV*0701412**	0.98	0.93	ENH4X36*17**	*8MV*1102120**	0.97	0.94	ENH4X42*21**		1.01	0.98
EHD4X42A**	*8MV*0901716**	0.98	0.91	ENH4X36*17**	*8MV*1352422**	0.97	0.94	ENH4X43*21**	*8MPV050	1.00	0.95
EHD4X42A**	*8MV*1102120**	0.98	0.91	ENH4X36*17**	*8MX*0701716**	0.98	0.97	ENH4X43*21**	*8MPV075	1.00	0.90
EHD4X42A**	*8MV*1352422**	0.98	0.91	ENH4X36*17**	*8MX*0902116**	0.97	0.93	ENH4X43*21**	*8MPV100	1.01	0.89
EHD4X42A**	*8MX*0451408**	0.99	0.95	ENH4X36*17**	*8MX*1102120**	0.97	0.93	ENH4X43*21**	*8MPV125	1.00	0.88
EHD4X42A**	*8MX*0701716**	0.99	0.93	ENH4X36*17**	*9MPV100	0.98	0.95	ENH4X43*21**	*8MV*0701412**	0.98	0.91
EHD4X42A**	*8MX*0902116**	0.98	0.90	ENH4X36*17**	*9MPV125	0.98	0.94	ENH4X43*21**	*8MV*0901716**	0.98	0.89
EHD4X42A**	*8MX*1102120**	0.98	0.89	ENH4X36*17**	*9MVX060	0.98	0.97	ENH4X43*21**	*8MV*1102120**	0.98	0.89
EHD4X42A**	NOMV106D12*	0.98	0.93	ENH4X36*17**	*9MVX080	0.99	0.95	ENH4X43*21**	*8MV*1352422**	0.98	0.89
EHD4X42A**	NOMV156E19*	0.98	0.92	ENH4X36*17**	*9MVX100	0.98	0.94	ENH4X43*21**	*8MX*0451408**	1.00	0.94
EN(A,D)4X36*21**	*8MV*1102120**	0.97	0.94	ENH4X36*17**	MV08B15**B*	0.97	0.93	ENH4X43*21**	*8MX*0701716**	0.99	0.92
EN(A,D)4X36*21**	*8MX*0902116**	0.97	0.93	ENH4X36*17**	MV12F19**B*	0.97	0.92	ENH4X43*21**	*8MX*0902116**	0.99	0.89
EN(A,D)4X36*21**	*8MX*1102120**	0.97	0.92	ENH4X36*17**	MV16J22**B*	0.97	0.91	ENH4X43*21**	*8MX*1102120**	0.99	0.88
EN(A,D)4X36*21**	NOMV156E19*	0.97	0.95	ENH4X36*17**	MV20L24**B*	0.97	0.92	ENH4X43*21**	*9MPV050	1.00	0.95
EN(A,D)4X36*21**	OLV112A16A	0.98	0.96	ENH4X36*17**	NOMV106D12*	0.96	0.96	ENH4X43*21**	*9MPV075	1.00	0.93
EN(A,D)4X36*21**		1.00	0.99	ENH4X36*17**	NOMV156E19*	0.97	0.95	ENH4X43*21**	*9MPV100	1.01	0.90
EN(A,D)4X37*17**	*8MV*0901716**	0.98	0.90	ENH4X36*17**	OLV112A16A	0.98	0.96	ENH4X43*21**	*9MPV125	1.00	0.89
EN(A,D)4X37*17**	*8MX*0701716**	0.99	0.92	ENH4X36*17**	OLV154F20A	0.99	0.93	ENH4X43*21**	*9MVX040	1.00	0.95
EN(A,D)4X37*17**	NOMV106D12*	0.98	0.92	ENH4X36*17**	OMV098J12A	0.98	0.98	ENH4X43*21**	*9MVX060	1.00	0.92
EN(A,D)4X37*17**	OLV098A12A	0.99	0.93	ENH4X36*17**	OMV112K14A	0.98	0.96	ENH4X43*21**	*9MVX080	1.01	0.90
EN(A,D)4X37*17**	OMV098J12A	0.99	0.94	ENH4X36*17**		1.00	0.99	ENH4X43*21**	*9MVX100	0.99	0.89
EN(A,D)4X37*17**	OMV112K14A	0.99	0.91	ENH4X42*21**	*8MPV050	0.99	0.98	ENH4X43*21**	MV08B15**B*	0.98	0.88
EN(A,D)4X37*17**		1.01	0.95	ENH4X42*21**	*8MPV075	0.99	0.94	ENH4X43*21**	MV12F19**B*	0.98	0.87
EN(A,D)4X43*24**	*8MV*1352422**	0.98	0.88	ENH4X42*21**	*8MPV100	0.99	0.92	ENH4X43*21**	MV16J22**B*	0.98	0.87
EN(A,D)4X43*24**	*9MPV125	1.00	0.88	ENH4X42*21**	*8MPV125	0.98	0.91	ENH4X43*21**	MV20L24**B*	0.98	0.87
EN(A,D)4X43*24**	*9MVX100	1.00	0.89	ENH4X42*21**	*8MV*0701412**	0.98	0.95	ENH4X43*21**	NOMV106D12*	0.98	0.91
EN(A,D)4X43*24**	MV20L24**B*	0.98	0.87	ENH4X42*21**	*8MV*0901716**	0.97	0.93	ENH4X43*21**	NOMV156E19*	0.98	0.90
EN(A,D)4X43*24**		1.02	0.96	ENH4X42*21**	*8MV*1102120**	0.97	0.92	ENH4X43*21**	OLV098A12A	0.99	0.93
EN(A,D,W)4X36*17**	*8MV*0901716**	0.96	0.94	ENH4X42*21**	*8MV*1352422**	0.97	0.92	ENH4X43*21**	OLV112A16A	0.99	0.91
EN(A,D,W)4X36*17**	*8MX*0701716**	0.98	0.97	ENH4X42*21**	*8MX*0451408**	0.99	0.97	ENH4X43*21**	OLV154F20A	1.01	0.88
EN(A,D,W)4X36*17**	NOMV106D12*	0.96	0.96	ENH4X42*21**	*8MX*0701716**	0.98	0.95	ENH4X43*21**	OMV098J12A	0.99	0.93
EN(A,D,W)4X36*17**	OMV098J12A	0.98	0.98	ENH4X42*21**	*8MX*0902116**	0.98	0.92	ENH4X43*21**	OMV112K14A	0.99	0.91
EN(A,D,W)4X36*17**	OMV112K14A	0.98	0.96	ENH4X42*21**	*8MX*1102120**	0.98	0.91	ENH4X43*21**		1.02	0.96
EN(A,D,W)4X36*17**		1.00	0.99	ENH4X42*21**	*9MPV050	0.99	0.98	FEM4P36**A*		0.99	0.96
EN(A,D,W)4X42*21**	*8MV*1102120**	0.97	0.92	ENH4X42*21**	*9MPV075	0.99	0.97	FEM4P42**A*		0.99	0.91
EN(A,D,W)4X42*21**	*8MX*0902116**	0.98	0.92	ENH4X42*21**	*9MPV100	0.99	0.93	FS(M,U)4P42**A*		1.00	0.95
EN(A,D,W)4X42*21**	*8MX*1102120**	0.98	0.91	ENH4X42*21**	*9MPV125	0.98	0.92	FVM4X24****		0.98	0.94
EN(A,D,W)4X42*21**	NOMV156E19*	0.97	0.93	ENH4X42*21**	*9MVX040	0.99	0.98	FVM4X36****		0.96	0.91
EN(A,D,W)4X42*21**	OLV112A16A	0.99	0.95	ENH4X42*21**	*9MVX060	0.99	0.96	FVM4X48****		0.98	0.88
EN(A,D,W)4X42*21**		1.01	0.98	ENH4X42*21**	*9MVX080	0.99	0.93	FVM4X60****		0.98	0.86
—	—	—	—	—	—	—	—	FXM4X36**A*		0.99	0.90
—	—	—	—	—	—	—	—	FXM4X42**A*		0.99	0.90

> Indicates Tested Indoor Model

COOLING & HEATING Multiplying Factors for other Indoor Combinations (continued)

Indoor Model	Furnace Model	Capac. (MBh)	Power (AMPS)	Indoor Model	Furnace Model	Capac. (MBh)	Power (AMPS)	Indoor Model	Furnace Model	Capac. (MBh)	Power (AMPS)
HC4H348											
COOLING											
>FS(M,U)4P48**A*		1.00	1.00	EN(A,D,W)4X48*21**	NOMV156E19*	0.99	0.95	ENH4X60*24**	*8MX*1352420**	1.01	0.93
ED*4X48L**	*8MV*1352422**	0.99	0.91	EN(A,D,W)4X48*21**	OLV112A16A	0.99	0.99	ENH4X60*24**	*9MPV100	1.01	0.97
ED*4X48L**	*8MX*1352420**	1.00	0.96	EN(A,D,W)4X48*21**		1.00	1.00	ENH4X60*24**	*9MPV125	1.01	0.93
ED*4X60L**	*8MV*1352422**	1.01	0.93	EN(A,D,W)4X60*24**	*8MV*1352422**	1.01	0.93	ENH4X60*24**	*9MVX080	1.01	0.97
ED*4X60L**	*8MX*1352420**	1.01	0.93	EN(A,D,W)4X60*24**	*8MX*1352420**	1.01	0.93	ENH4X60*24**	*9MVX100	1.01	0.93
EHD4X48A**	*8MV*0901716**	1.00	0.96	EN(A,D,W)4X60*24**	*9MPV125	1.01	0.93	ENH4X60*24**	MV16J22**B*	1.01	0.93
EHD4X48A**	*8MV*1102120**	1.00	0.96	EN(A,D,W)4X60*24**	*9MVX100	1.01	0.93	ENH4X60*24**	MV20L24**B*	1.01	0.93
EHD4X48A**	*8MV*1352422**	1.00	0.92	EN(A,D,W)4X60*24**	MV20L24**B*	1.01	0.93	ENH4X60*24**	NOMV156E19*	1.01	0.93
EHD4X48A**	*8MX*0701716**	0.99	0.99	EN(A,D,W)4X60*24**		1.01	1.01	ENH4X60*24**	OLV112A16A	1.01	1.01
EHD4X48A**	*8MX*0902116**	1.00	0.96	ENH4X48*21**	*8MPV100	1.00	0.96	ENH4X60*24**	OLV154F20A	1.01	0.97
EHD4X48A**	*8MX*1102120**	1.00	0.92	ENH4X48*21**	*8MPV125	1.00	0.92	ENH4X60*24**		1.01	1.01
EHD4X48A**	*8MX*1352420**	1.00	0.92	ENH4X48*21**	*8MV*0901716**	0.99	0.95	ENH4X61*24**	*8MPV100	1.02	0.94
EHD4X48A**	NOMV156E19*	1.00	0.96	ENH4X48*21**	*8MV*1102120**	0.99	0.95	ENH4X61*24**	*8MPV125	1.02	0.94
EHD4X60A**	*8MV*0901716**	1.01	0.93	ENH4X48*21**	*8MV*1352422**	1.00	0.92	ENH4X61*24**	*8MV*0901716**	1.01	0.93
EHD4X60A**	*8MV*1102120**	1.01	0.93	ENH4X48*21**	*8MX*0701716**	0.99	0.99	ENH4X61*24**	*8MV*1102120**	1.01	0.93
EHD4X60A**	*8MV*1352422**	1.01	0.93	ENH4X48*21**	*8MX*0902116**	1.00	0.96	ENH4X61*24**	*8MV*1352422**	1.02	0.94
EHD4X60A**	*8MX*0701716**	1.01	1.01	ENH4X48*21**	*8MX*1102120**	1.00	0.92	ENH4X61*24**	*8MX*0701716**	1.01	1.01
EHD4X60A**	*8MX*0902116**	1.01	0.93	ENH4X48*21**	*8MX*1352420**	1.00	0.92	ENH4X61*24**	*8MX*0902116**	1.02	0.94
EHD4X60A**	*8MX*1102120**	1.01	0.93	ENH4X48*21**	*9MPV100	1.00	0.96	ENH4X61*24**	*8MX*1102120**	1.02	0.94
EHD4X60A**	*8MX*1352420**	1.01	0.93	ENH4X48*21**	*9MPV125	1.00	0.96	ENH4X61*24**	*8MX*1352420**	1.02	0.94
EHD4X60A**	NOMV156E19*	1.01	0.93	ENH4X48*21**	*9MVX080	1.00	0.96	ENH4X61*24**	*9MPV100	1.02	0.98
EN(A,D)4X48*24**	*8MV*1352422**	1.00	0.92	ENH4X48*21**	*9MVX100	1.00	0.96	ENH4X61*24**	*9MPV125	1.02	0.94
EN(A,D)4X48*24**	*8MX*1352420**	1.00	0.92	ENH4X48*21**	MV16J22**B*	1.00	0.92	ENH4X61*24**	*9MVX080	1.02	0.98
EN(A,D)4X48*24**	*9MPV125	1.00	0.96	ENH4X48*21**	MV20L24**B*	1.00	0.92	ENH4X61*24**	*9MVX100	1.02	0.94
EN(A,D)4X48*24**	*9MVX100	1.00	0.96	ENH4X48*21**	NOMV156E19*	0.99	0.95	ENH4X61*24**	MV16J22**B*	1.02	0.94
EN(A,D)4X48*24**	MV20L24**B*	1.00	0.92	ENH4X48*21**	OLV112A16A	0.99	0.99	ENH4X61*24**	MV20L24**B*	1.02	0.94
EN(A,D)4X48*24**		1.00	1.00	ENH4X48*21**	OLV154F20A	1.00	0.96	ENH4X61*24**	NOMV156E19*	1.01	0.93
EN(A,D)4X61*24**	*8MV*1352422**	1.02	0.94	ENH4X48*21**		1.00	1.00	ENH4X61*24**	OLV112A16A	1.01	1.01
EN(A,D)4X61*24**	*8MX*1352420**	1.02	0.94	ENH4X60*24**	*8MPV100	1.01	0.93	ENH4X61*24**	OLV154F20A	1.02	0.98
EN(A,D)4X61*24**	*9MPV125	1.02	0.94	ENH4X60*24**	*8MPV125	1.01	0.93	ENH4X61*24**		1.02	1.02
EN(A,D)4X61*24**	*9MVX100	1.02	0.94	ENH4X60*24**	*8MV*0901716**	1.01	0.93	FEM4P48**A*		1.00	0.96
EN(A,D)4X61*24**	MV20L24**B*	1.02	0.94	ENH4X60*24**	*8MV*1102120**	1.01	0.93	FEM4X60**B*		1.01	0.93
EN(A,D)4X61*24**		1.02	1.02	ENH4X60*24**	*8MV*1352422**	1.01	0.93	FS(M,U)4X60**A*		1.01	1.01
EN(A,D,W)4X48*21**	*8MV*1102120**	0.99	0.95	ENH4X60*24**	*8MX*0701716**	1.00	1.00	FVM4X48****		0.99	0.91
EN(A,D,W)4X48*21**	*8MX*0902116**	1.00	0.96	ENH4X60*24**	*8MX*0902116**	1.01	0.93	FVM4X60****		1.00	0.92
EN(A,D,W)4X48*21**	*8MX*1102120**	1.00	0.92	ENH4X60*24**	*8MX*1102120**	1.01	0.93	FXM4X48**A*		1.02	0.94
—	—	—	—	—	—	—	—	FXM4X60**A*		1.03	0.95
HEATING											
>(M,U)4P48**A*		1.00	1.00	EN(A,D,W)4X48*21**	NOMV156E19*	0.97	0.96	ENH4X60*24**	*8MX*1352420**	0.97	0.93
ED*4X48L**	*8MV*1352422**	0.97	0.94	EN(A,D,W)4X48*21**	OLV112A16A	0.98	0.98	ENH4X60*24**	*9MPV100	0.99	0.96
ED*4X48L**	*8MX*1352420**	0.97	0.94	EN(A,D,W)4X48*21**		1.00	0.98	ENH4X60*24**	*9MPV125	0.98	0.94
ED*4X60L**	*8MV*1352422**	0.97	0.93	EN(A,D,W)4X60*24**	*8MV*1352422**	0.97	0.93	ENH4X60*24**	*9MVX080	0.99	0.96
ED*4X60L**	*8MX*1352420**	0.97	0.93	EN(A,D,W)4X60*24**	*8MX*1352420**	0.97	0.93	ENH4X60*24**	*9MVX100	0.98	0.95
EHD4X48A**	*8MV*0901716**	0.97	0.95	EN(A,D,W)4X60*24**	*9MPV125	0.98	0.94	ENH4X60*24**	MV16J22**B*	0.97	0.91

> Indicates Tested Indoor Model

COOLING & HEATING Multiplying Factors for other Indoor Combinations (continued)

Indoor Model	Furnace Model	Capac. (MBh)	Power (AMPS)	Indoor Model	Furnace Model	Capac. (MBh)	Power (AMPS)	Indoor Model	Furnace Model	Capac. (MBh)	Power (AMPS)
EHD4X48A**	*8MV*1102120**	0.97	0.95	EN(A,D,W)4X60*24**	*9MVX100	0.98	0.95	ENH4X60*24**	MV20L24**B*	0.97	0.91
EHD4X48A**	*8MV*1352422**	0.97	0.94	EN(A,D,W)4X60*24**	MV20L24**B*	0.97	0.91	ENH4X60*24**	NOMV156E19*	0.97	0.95
EHD4X48A**	*8MX*0701716**	0.99	1.01	EN(A,D,W)4X60*24**		1.00	0.97	ENH4X60*24**	OLV112A16A	0.99	0.98
EHD4X48A**	*8MX*0902116**	0.98	0.95	ENH4X48*21**	*8MPV100	0.98	0.95	ENH4X60*24**	OLV154F20A	1.00	0.95
EHD4X48A**	*8MX*1102120**	0.97	0.94	ENH4X48*21**	*8MPV125	0.98	0.94	ENH4X60*24**		1.00	0.97
EHD4X48A**	*8MX*1352420**	0.97	0.94	ENH4X48*21**	*8MV*0901716**	0.97	0.96	ENH4X61*24**	*8MPV100	0.99	0.94
EHD4X48A**	NOMV156E19*	0.97	0.95	ENH4X48*21**	*8MV*1102120**	0.97	0.95	ENH4X61*24**	*8MPV125	0.98	0.92
EHD4X60A**	*8MV*0901716**	0.97	0.94	ENH4X48*21**	*8MV*1352422**	0.97	0.94	ENH4X61*24**	*8MV*0901716**	0.97	0.94
EHD4X60A**	*8MV*1102120**	0.97	0.93	ENH4X48*21**	*8MX*0701716**	0.99	1.01	ENH4X61*24**	*8MV*1102120**	0.97	0.93
EHD4X60A**	*8MV*1352422**	0.97	0.92	ENH4X48*21**	*8MX*0902116**	0.97	0.94	ENH4X61*24**	*8MV*1352422**	0.97	0.92
EHD4X60A**	*8MX*0701716**	1.00	0.99	ENH4X48*21**	*8MX*1102120**	0.97	0.93	ENH4X61*24**	*8MX*0701716**	1.00	1.00
EHD4X60A**	*8MX*0902116**	0.98	0.93	ENH4X48*21**	*8MX*1352420**	0.97	0.94	ENH4X61*24**	*8MX*0902116**	0.98	0.94
EHD4X60A**	*8MX*1102120**	0.97	0.91	ENH4X48*21**	*9MPV100	0.98	0.96	ENH4X61*24**	*8MX*1102120**	0.97	0.92
EHD4X60A**	*8MX*1352420**	0.98	0.93	ENH4X48*21**	*9MPV125	0.98	0.95	ENH4X61*24**	*8MX*1352420**	0.98	0.93
EHD4X60A**	NOMV156E19*	0.97	0.94	ENH4X48*21**	*9MVX080	0.98	0.96	ENH4X61*24**	*9MPV100	0.99	0.95
EN(A,D)4X48*24**	*8MV*1352422**	0.97	0.94	ENH4X48*21**	*9MVX100	0.98	0.96	ENH4X61*24**	*9MPV125	0.99	0.95
EN(A,D)4X48*24**	*8MX*1352420**	0.97	0.94	ENH4X48*21**	MV16J22**B*	0.97	0.92	ENH4X61*24**	*9MVX080	0.99	0.95
EN(A,D)4X48*24**	*9MPV125	0.98	0.95	ENH4X48*21**	MV20L24**B*	0.97	0.92	ENH4X61*24**	*9MVX100	0.98	0.94
EN(A,D)4X48*24**	*9MVX100	0.98	0.96	ENH4X48*21**	NOMV156E19*	0.97	0.96	ENH4X61*24**	MV16J22**B*	0.97	0.90
EN(A,D)4X48*24**	MV20L24**B*	0.97	0.92	ENH4X48*21**	OLV112A16A	0.98	0.98	ENH4X61*24**	MV20L24**B*	0.97	0.90
EN(A,D)4X48*24**		1.00	0.98	ENH4X48*21**	OLV154F20A	1.00	0.96	ENH4X61*24**	NOMV156E19*	0.98	0.95
EN(A,D)4X61*24**	*8MV*1352422**	0.97	0.91	ENH4X48*21**		1.00	0.98	ENH4X61*24**	OLV112A16A	0.99	0.97
EN(A,D)4X61*24**	*8MX*1352420**	0.98	0.91	ENH4X60*24**	*8MPV100	0.98	0.93	ENH4X61*24**	OLV154F20A	1.00	0.94
EN(A,D)4X61*24**	*9MPV125	0.99	0.93	ENH4X60*24**	*8MPV125	0.98	0.93	ENH4X61*24**		1.00	0.96
EN(A,D)4X61*24**	*9MVX100	0.99	0.94	ENH4X60*24**	*8MV*0901716**	0.97	0.94	FEM4P48**A*		0.98	0.96
EN(A,D)4X61*24**	MV20L24**B*	0.97	0.89	ENH4X60*24**	*8MV*1102120**	0.97	0.94	FEM4X60**B*		0.99	0.94
EN(A,D)4X61*24**		1.00	0.95	ENH4X60*24**	*8MV*1352422**	0.97	0.93	FS(M,U)4X60**A*		1.00	0.97
EN(A,D,W)4X48*21**	*8MV*1102120**	0.97	0.95	ENH4X60*24**	*8MX*0701716**	0.99	1.00	FVM4X48****		0.97	0.93
EN(A,D,W)4X48*21**	*8MX*0902116**	0.97	0.94	ENH4X60*24**	*8MX*0902116**	0.98	0.94	FVM4X60****		0.97	0.90
EN(A,D,W)4X48*21**	*8MX*1102120**	0.97	0.93	ENH4X60*24**	*8MX*1102120**	0.97	0.92	FXM4X48**A*		0.98	0.92
—	—	—	—	—	—	—	—	FXM4X60**A*		0.99	0.91

HC4H360

COOLING

>FS(M,U)4X60**A*		1.00	1.00	EN(A,D,W)4X60*24**	*8MX*1352420**	0.99	0.95	ENH4X61*24**	*8MPV100	1.00	0.95
ED*4X60L**	*8MV*1352422**	1.00	0.95	EN(A,D,W)4X60*24**	*9MVX100	0.99	0.95	ENH4X61*24**	*8MPV125	1.01	0.96
ED*4X60L**	*8MX*1352420**	0.99	0.95	EN(A,D,W)4X60*24**	MV20L24**B*	1.00	0.91	ENH4X61*24**	*8MV*1102120**	1.00	0.95
EHD4X60A**	*8MV*1352422**	1.00	0.95	EN(A,D,W)4X60*24**		1.00	0.95	ENH4X61*24**	*8MV*1352422**	1.00	0.95
EHD4X60A**	*8MX*1102120**	1.01	0.96	ENH4X60*24**	*8MPV100	1.00	0.95	ENH4X61*24**	*8MX*1102120**	1.00	0.95
EHD4X60A**	*8MX*1352420**	1.00	0.95	ENH4X60*24**	*8MPV125	1.00	0.95	ENH4X61*24**	*8MX*1352420**	1.00	0.95
EHD4X60A**	NOMV156E19*	1.00	0.95	ENH4X60*24**	*8MV*1102120**	0.99	0.95	ENH4X61*24**	*9MVX100	1.00	0.95
EN(A,D)4X61*24**	*8MV*1352422**	1.01	0.96	ENH4X60*24**	*8MV*1352422**	1.00	0.95	ENH4X61*24**	MV16J22**B*	1.01	0.96
EN(A,D)4X61*24**	*8MX*1352420**	1.01	0.96	ENH4X60*24**	*8MX*1102120**	1.00	0.95	ENH4X61*24**	MV20L24**B*	1.01	0.92
EN(A,D)4X61*24**	*9MPV125	1.01	0.96	ENH4X60*24**	*8MX*1352420**	0.99	0.95	ENH4X61*24**		1.00	0.95

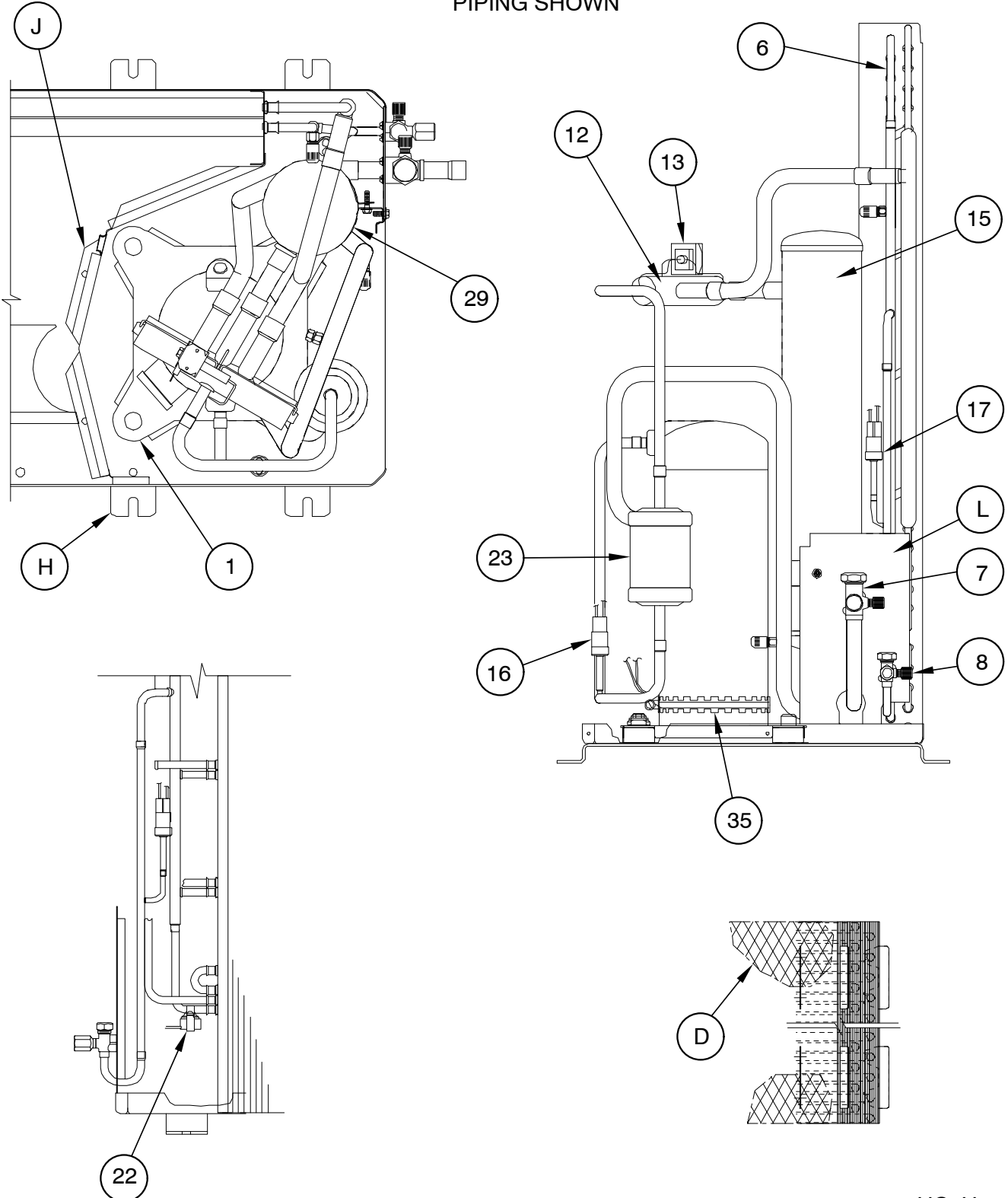
> Indicates Tested Indoor Model

COOLING & HEATING Multiplying Factors for other Indoor Combinations (continued)											
Indoor Model	Furnace Model	Capac. (MBh)	Power (AMPS)	Indoor Model	Furnace Model	Capac. (MBh)	Power (AMPS)	Indoor Model	Furnace Model	Capac. (MBh)	Power (AMPS)
EN(A,D)4X61*24**	*9MVX100	1.01	0.96	ENH4X60*24**	*9MVX100	0.99	0.95	FEM4X60**B*		1.00	0.95
EN(A,D)4X61*24**	MV20L24**B*	1.02	0.93	ENH4X60*24**	MV16J22**B*	1.00	0.91	FVM4X60****		1.02	0.93
EN(A,D)4X61*24**		1.02	0.97	ENH4X60*24**	MV20L24**B*	1.01	0.92	FXM4X60**A*		1.02	0.97
EN(A,D,W)4X60*24**	*8MV*1352422**	1.00	0.95	ENH4X60*24**		1.00	0.95	—	—	—	—
HEATING											
>FS(M,U)4X60**A*		1.00	1.00	EN(A,D,W)4X60*24**	*8MV*1352422**	0.97	0.96	ENH4X60*24**		0.99	0.97
ED*4X60L**	*8MV*1352422**	0.97	0.96	EN(A,D,W)4X60*24**	*8MX*1352420**	0.97	0.97	ENH4X61*24**	*8MPV100	0.99	0.98
ED*4X60L**	*8MX*1352420**	0.97	0.97	EN(A,D,W)4X60*24**	*9MVX100	0.98	0.99	ENH4X61*24**	*8MPV125	0.98	0.96
EHD4X60A**	*8MV*1102120**	0.98	0.97	EN(A,D,W)4X60*24**	MV20L24**B*	0.97	0.94	ENH4X61*24**	*8MV*1102120**	0.98	0.97
EHD4X60A**	*8MV*1352422**	0.97	0.95	EN(A,D,W)4X60*24**		0.99	0.97	ENH4X61*24**	*8MV*1352422**	0.97	0.95
EHD4X60A**	*8MX*1102120**	0.97	0.94	ENH4X60*24**	*8MPV100	0.99	0.99	ENH4X61*24**	*8MX*1102120**	0.97	0.95
EHD4X60A**	*8MX*1352420**	0.97	0.95	ENH4X60*24**	*8MPV125	0.98	0.97	ENH4X61*24**	*8MX*1352420**	0.97	0.96
EHD4X60A**	NOMV156E19*	0.99	1.00	ENH4X60*24**	*8MV*1102120**	0.97	0.97	ENH4X61*24**	*9MVX100	0.99	0.99
EN(A,D)4X61*24**	*8MV*1352422**	0.97	0.94	ENH4X60*24**	*8MV*1352422**	0.97	0.96	ENH4X61*24**	MV16J22**B*	0.97	0.93
EN(A,D)4X61*24**	*8MX*1352420**	0.97	0.94	ENH4X60*24**	*8MX*1102120**	0.97	0.96	ENH4X61*24**	MV20L24**B*	0.97	0.93
EN(A,D)4X61*24**	*9MPV125	0.99	0.98	ENH4X60*24**	*8MX*1352420**	0.97	0.97	ENH4X61*24**		0.98	0.97
EN(A,D)4X61*24**	*9MVX100	0.99	0.97	ENH4X60*24**	*9MVX100	0.98	0.99	FEM4X60**B*		0.98	0.98
EN(A,D)4X61*24**	MV20L24**B*	0.97	0.91	ENH4X60*24**	MV16J22**B*	0.97	0.94	FVM4X60****		0.97	0.92
EN(A,D)4X61*24**		1.00	0.96	ENH4X60*24**	MV20L24**B*	0.97	0.94	FXM4X60**A*		0.99	0.93

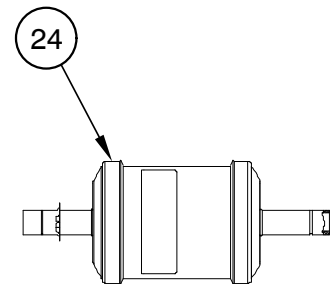
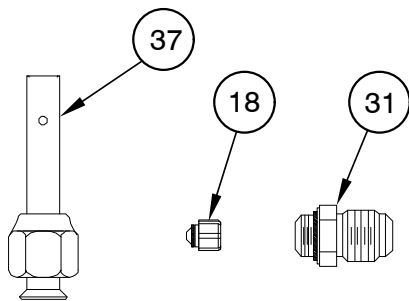
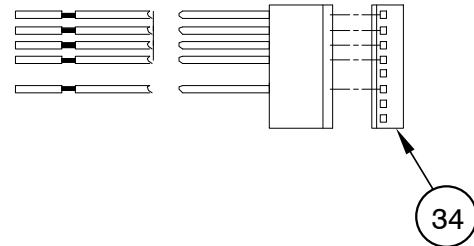
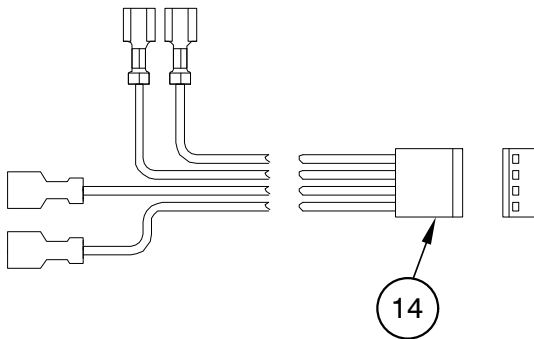
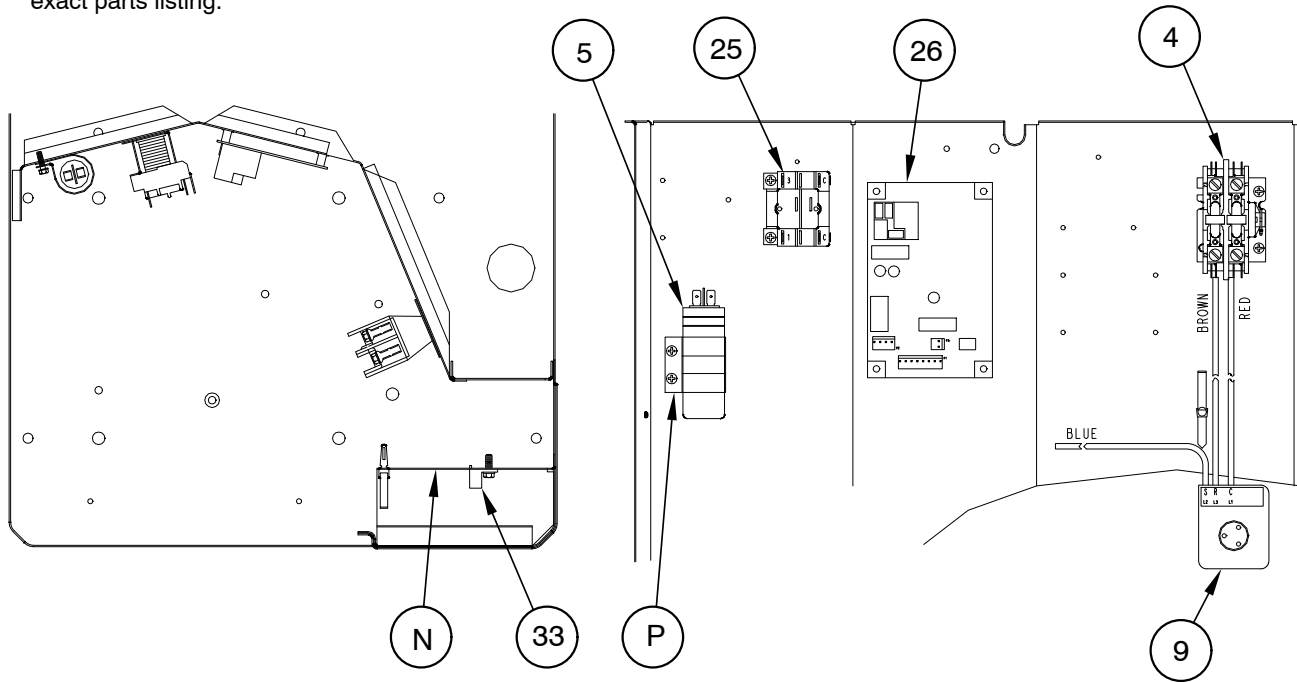
> Indicates Tested Indoor Model

NOTE: This illustration is for reference only. Your unit may differ in appearance or may not include all components shown. Please refer to Parts List for exact parts listing.

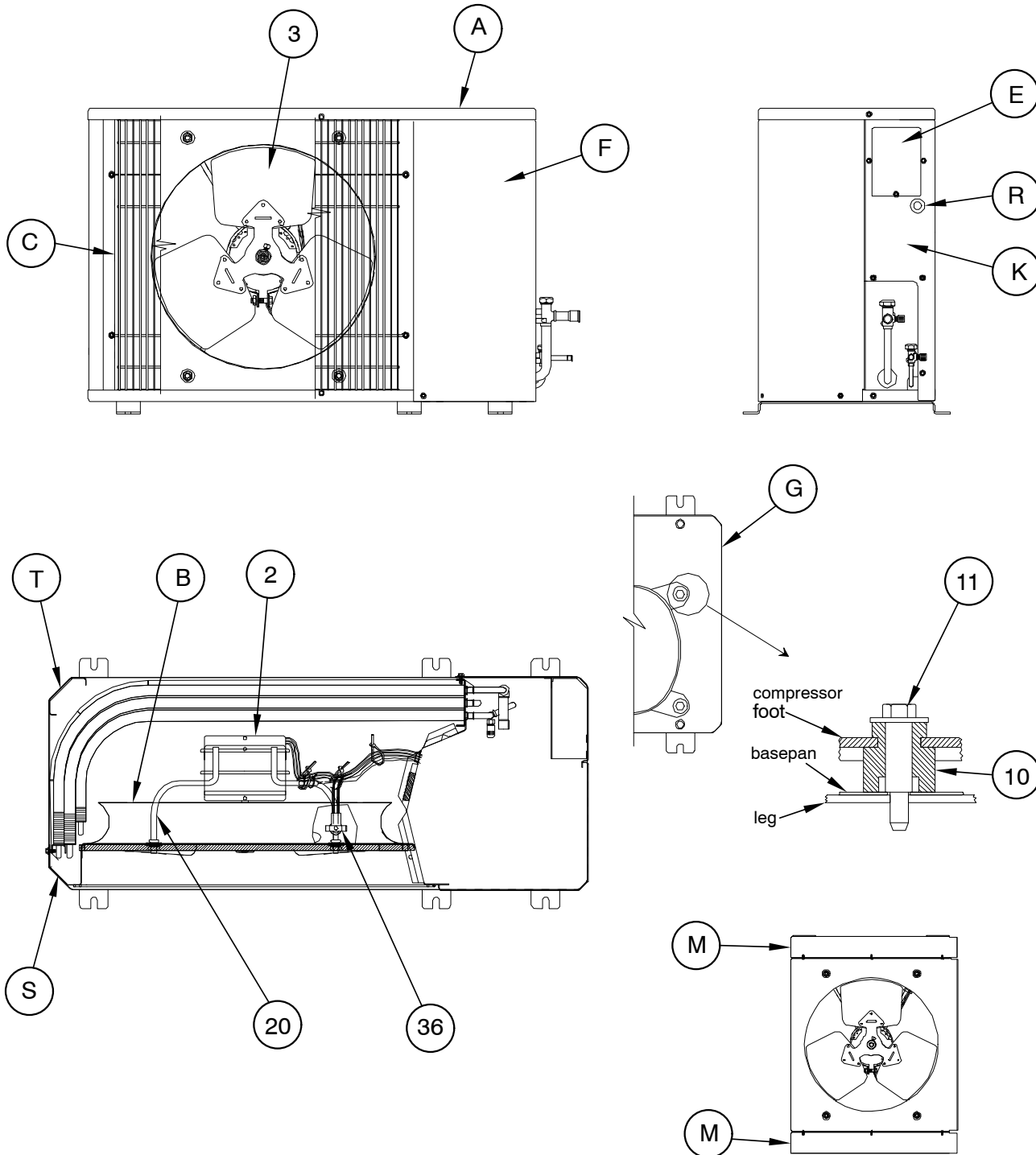
030 SIZE
PIPING SHOWN



NOTE: This illustration is for reference only. Your unit may differ in appearance or may not include all components shown. Please refer to Parts List for exact parts listing.



NOTE: This illustration is for reference only. Your unit may differ in appearance or may not include all components shown. Please refer to Parts List for exact parts listing.



HC4H - 3

HC4H3**AKA PARTS LIST								
KEY NO.	DESCRIPTION	FAST PARTS NO.	HC4H318AKA100	HC4H324AKA100	HC4H330AKA100	HC4H336AKA100	HC4H348AKA100	HC4H360AKA100
01	COMPRESSOR	ZP16K5EPFV130	1	—	—	—	—	—
01	COMPRESSOR	ZP21K5EPFV130	—	1	—	—	—	—
01	COMPRESSOR	ZP24K5EPFV130	—	—	1	—	—	—
01	COMPRESSOR	ZP29K5EPFV130	—	—	—	1	—	—
01	COMPRESSOR	ZP42K5EPFV130	—	—	—	—	1	—
01	COMPRESSOR	ZP51K5EPFV130	—	—	—	—	—	1
02	MOTOR CONDENSER FAN	1177963	1	1	—	—	—	—
02	MOTOR CONDENSER FAN	1177964	—	—	1	1	1	1
03	FAN BLADE	1177965	1	1	—	—	—	—
03	FAN BLADE	1177966	—	—	1	1	1	1
04	CONTACTOR 25 AMP 24V	1173689	1	1	1	1	—	—
04	40 AMP 24V	1173690	—	—	—	—	1	1
05	CAPACITOR 370V 30+5 MFD	1172109	1	—	—	—	—	—
05	370V 40+5 MFD	1172147	—	1	1	—	—	—
05	370V 45+5 MFD	1172124	—	—	—	1	—	—
05	370V 70+5 MFD	1172163	—	—	—	—	1	1
06	KIT REPLACEMENT COIL	1177958	1	—	—	—	—	—
06	KIT REPLACEMENT COIL	1177959	—	1	—	—	—	—
06	KIT REPLACEMENT COIL	1177960	—	—	1	—	—	—
06	KIT REPLACEMENT COIL	1177961	—	—	—	1	—	—
06	KIT REPLACEMENT COIL	1177962	—	—	—	—	1	1
07	SERVICE VALVE SUCTION	1177930	1	1	—	—	—	—
07	SERVICE VALVE SUCTION	1177931	—	—	1	1	—	—
07	SERVICE VALVE SUCTION	1177932	—	—	—	—	1	1
08	SERVICE VALVE LIQUID	1177928	1	1	—	—	—	—
08	SERVICE VALVE LIQUID	1177929	—	—	1	1	1	1
09	PLUG COMPRESSOR HARNESS	1172731	1	1	1	1	—	—
09	PLUG COMPRESSOR HARNESS	1176563	—	—	—	—	1	1
10	GROMMET COMPRESSOR	1171270	4	4	4	4	4	4
11	BOLT COMPRESSOR MOUNTING	1173630	4	4	4	4	4	4
12	VALVE REVERSING	1173715	1	1	—	—	—	—
12	VALVE REVERSING	1175621	—	—	1	1	—	—
12	VALVE REVERSING	1175622	—	—	—	—	1	1
13	COIL REVERSING VALVE SOLENOID	1172574	1	1	1	1	1	1
14	HARNESS ASSY REV VALVE COIL	1175100	1	1	1	1	1	1
15	ACCUMULATOR	1177933	1	1	—	—	—	—
15	ACCUMULATOR	1177934	—	—	1	1	—	—
15	ACCUMULATOR	1177935	—	—	—	—	1	1
16	SWITCH HIGH PRESSURE	1174407	1	1	1	1	1	1
17	SWITCH LOW PRESSURE	1174412	1	1	1	1	1	1
18	PISTON .040	1177919	1	—	—	—	—	—
18	PISTON .049	1177920	—	1	—	—	—	—
18	PISTON .055	1177921	—	—	1	—	—	—
18	PISTON .063	1177922	—	—	—	1	—	—
18	PISTON .073	1177923	—	—	—	—	1	—
18	PISTON .080	1177924	—	—	—	—	—	1
20	MOUNT MOTOR	1177954	1	1	—	—	—	—
20	MOUNT MOTOR	1177955	—	—	1	1	1	1
22	SWITCH DEFROST SENSOR	1173637	1	1	1	1	1	1
23	MUFFLER	1173638	1	1	1	1	1	1
24	DRIER FILTER	1172311	1	1	1	1	1	1
26	BOARD DEFROST CIRCUIT	1177927	1	1	1	1	1	1
29	STRAP ACCUMULATOR	1178091	1	1	1	1	1	1
31	RETAINER PISTON	1178092	1	1	1	1	1	1
33	LUG GROUND	1170677	1	1	1	1	1	1
34	HARNESS ASY DEFROST BD	1177926	1	1	1	1	1	1
35	HEATER CRANKCASE	1178087	—	—	1	1	—	—

- continued on next page -

HC4H3**AKA PARTS LIST (continued)								
KEY NO.	DESCRIPTION	FAST PARTS NO.	HC4H318AKA100	HC4H324AKA100	HC4H330AKA100	HC4H336AKA100	HC4H348AKA100	HC4H360AKA100
35	HEATER CRANKCASE	1178088	—	—	—	—	1	1
36	SWITCH TEMP CC HTR	1178086	—	—	1	1	1	1
37	KIT ADAPTER ASY	1178093	1	1	1	1	1	1
)	CAP SERVICE 11/16—20	1175650	1	1	1	1	1	1
)	CAP SERVICE 15/16—20	1175651	1	1	1	1	—	—
)	CAP SERVICE 1—1/16—20	1175652	—	—	—	—	1	1
)	CAP FLARE SEAL	1172410	1	1	1	1	1	1
A	COVER TOP	1177940	1	1	—	—	—	—
A	COVER TOP	1177941	—	—	1	1	1	1
B	DECK FAN	1177956	1	1	—	—	—	—
B	DECK FAN	1177957	—	—	1	1	1	1
C	GRILLE INLET	1177946	1	—	—	—	—	—
C	GRILLE INLET	1177947	—	1	—	—	—	—
C	GRILLE INLET	1177948	—	—	1	1	—	—
C	GRILLE INLET	1177949	—	—	—	—	1	1
D	GRILLE OUTLET	1177950	1	—	—	—	—	—
D	GRILLE OUTLET	1177952	—	1	—	—	—	—
D	GRILLE OUTLET	1177951	—	—	1	1	—	—
D	GRILLE OUTLET	1177953	—	—	—	—	1	1
E	COVER ACCESS	1178094	1	1	1	1	1	1
F	PANEL ACCESS	1177936	1	—	—	—	—	—
F	PANEL ACCESS	1177937	—	1	—	—	—	—
F	PANEL ACCESS	1177938	—	—	1	1	—	—
F	PANEL ACCESS	1177939	—	—	—	—	1	1
G	PAN BASE	1178095	1	1	—	—	—	—
G	PAN BASE	1178096	—	—	1	1	1	1
H	LEG MOUNTING	1178097	3	3	—	—	—	—
H	LEG MOUNTING	1178098	—	—	3	3	3	3
J	PARTITION	1178099	1	—	—	—	—	—
J	PARTITION	1178100	—	1	—	—	—	—
J	PARTITION	1178101	—	—	1	1	—	—
J	PARTITION	1178102	—	—	—	—	1	1
K	PANEL ELECTRICAL	1177942	1	—	—	—	—	—
K	PANEL ELECTRICAL	1177943	—	1	—	—	—	—
K	PANEL ELECTRICAL	1177944	—	—	1	1	—	—
K	PANEL ELECTRICAL	1177945	—	—	—	—	1	1
L	PLATE SERVICE VALVE	1178110	1	1	1	1	1	1
M	PANEL BLOCK OFF	1178105	—	2	—	—	—	—
M	PANEL BLOCK OFF	1178106	—	—	—	—	2	2
N	BOX ELECTRICAL	1178107	1	1	1	1	1	1
P	STRAP CAPACITOR	1172734	1	1	1	1	—	—
P	STRAP CAPACITOR	1172735	—	—	—	—	1	1
R	GROMMET	1171737	1	1	1	1	1	1
S	SUPPORT COIL	1178117	1	—	—	—	—	—
S	SUPPORT COIL	1178118	—	1	—	—	—	—
S	SUPPORT COIL	1178119	—	—	1	1	—	—
S	SUPPORT COIL	1178120	—	—	—	—	1	1
T	CORNER PANEL LEFT	1178121	1	—	—	—	—	—
T	CORNER PANEL LEFT	1178122	—	1	—	—	—	—
T	CORNER PANEL LEFT	1178123	—	—	1	1	—	—
T	CORNER PANEL LEFT	1178124	—	—	—	—	1	1
)	SCREW HEX 10AB 1/2	1177071	45	45	45	45	45	45
)	PISTON TOOL RESIZER KIT	1175477	1	1	1	1	1	1
)	PAINT TOUCH UP 1PT	1174762	1	1	1	1	1	1

HC4H3**AHA PARTS LIST					
KEY NO.	DESCRIPTION	FAST PARTS NO.	HC4H336AHA100	HC4H348AHA100	HC4H360AHA100
01	COMPRESSOR	ZP29K5ETF5130	1	—	—
01	COMPRESSOR	ZP42K5ETF5130	—	1	—
01	COMPRESSOR	ZP51K5ETF5130	—	—	1
02	MOTOR CONDENSER FAN	1177964	1	1	1
03	FAN BLADE	1177966	1	1	1
04	CONTACTOR 40 AMP 24V	1174754	1	1	1
05	CAPACITOR 440V 5 MFD	1178115	1	1	1
06	KIT REPLACEMENT COIL	1177961	1	—	—
06	KIT REPLACEMENT COIL	1177962	—	1	1
07	SERVICE VALVE SUCTION	1177931	1	—	—
07	SERVICE VALVE SUCTION	1177932	—	1	1
08	SERVICE VALVE LIQUID	1177929	1	1	1
09	PLUG COMPRESSOR HARNESS	1178126	1	1	1
10	GROMMET COMPRESSOR	1171270	4	4	4
11	BOLT COMPRESSOR MOUNTING	1173630	4	4	4
12	VALVE REVERSING	1175621	1	—	—
12	VALVE REVERSING	1175622	—	1	1
13	COIL REVERSING VALVE SOLENOID	1172574	1	1	1
14	HARNESS ASSY REV VALVE COIL	1175100	1	1	1
15	ACCUMULATOR	1177934	1	—	—
15	ACCUMULATOR	1177935	—	1	1
16	SWITCH HIGH PRESSURE	1174407	1	1	1
17	SWITCH LOW PRESSURE	1174412	1	1	1
18	PISTON .063	1177922	1	—	—
18	PISTON 073	1177923	—	1	—
18	PISTON .080	1177924	—	—	1
20	MOUNT MOTOR	1177955	1	1	1
22	SWITCH DEFROST SENSOR	1173637	1	1	1
23	MUFFLER	1173638	1	1	1
24	DRIER FILTER	1172311	1	1	1
26	BOARD DEFROST CIRCUIT	1177927	1	1	1
29	STRAP ACCUMULATOR	1178091	1	1	1
31	RETAINER PISTON	1178092	1	1	1
33	LUG GROUND	1170677	1	1	1
34	HARNESS ASY DEFROST BD	1177926	1	1	1
35	HEATER CRANKCASE	1178087	1	—	—
35	HEATER CRANKCASE	1178088	—	1	1
36	SWITCH TEMP CC HTR	1178086	1	1	1
37	KIT ADAPTER ASY	1178093	1	1	1
)	CAP SERVICE 11/16—20	1175650	1	1	1
)	CAP SERVICE 15/16—20	1175651	1	—	—
)	CAP SERVICE 1—1/16—20	1175652	—	1	1
)	CAP FLARE SEAL	1172410	1	1	1
A	COVER TOP	1177941	1	1	1
B	DECK FAN	1177957	1	1	1
C	GRILLE INLET	1177948	1	—	—
C	GRILLE INLET	1177949	—	1	1
D	GRILLE OUTLET	1177951	1	—	—
D	GRILLE OUTLET	1177953	—	1	1
E	COVER ACCESS	1178094	1	1	1
F	PANEL ACCESS	1177938	1	—	—
F	PANEL ACCESS	1177939	—	1	1

– continued on next page –

HC4H3**AHA PARTS LIST (continued)					
KEY NO.	DESCRIPTION	FAST PARTS NO.	HC4H336AHA100	HC4H348AHA100	HC4H360AHA100
G	PAN BASE	1178096	1	1	1
H	LEG MOUNTING	1178098	3	3	3
J	PARTITION	1178101	1	—	—
J	PARTITION	1178102	—	1	1
K	PANEL ELECTRICAL	1177944	1	—	—
K	PANEL ELECTRICAL	1177945	—	1	1
L	PLATE SERVICE VALVE	1178110	1	1	1
M	PANEL BLOCK OFF	1178106	—	2	2
N	BOX ELECTRICAL	1178107	1	1	1
P	STRAP CAPACITOR	1174073	1	1	1
R	GROMMET	1171737	1	1	1
S	SUPPORT COIL	1178119	1	—	—
S	SUPPORT COIL	1178120	—	1	1
T	CORNER PANEL LEFT	1178123	1	—	—
T	CORNER PANEL LEFT	1178124	—	1	1
)	SCREW HEX 10AB 1/2	1177071	45	45	45
)	PISTON TOOL RESIZER KIT	1175477	1	1	1
)	PAINT TOUCH UP 1PT	1174762	1	1	1

HC4H3**ALA PARTS LIST					
KEY NO.	DESCRIPTION	FAST PARTS NO.	HC4H336ALA100	HC4H348ALA100	HC4H360ALA100
01	COMPRESSOR	ZP29K5ETFD130	1	—	—
01	COMPRESSOR	ZP42K5ETFD130	—	1	—
01	COMPRESSOR	ZP51K5ETFD130	—	—	1
02	MOTOR CONDENSER FAN	1178111	1	1	1
03	FAN BLADE	1177966	1	1	1
04	CONTACTOR 18 AMP 24V	1176523	1	1	1
05	CAPACITOR 440V 5 MFD	1178115	1	1	1
06	KIT REPLACEMENT COIL	1177961	1	—	—
06	KIT REPLACEMENT COIL	1177962	—	1	1
07	SERVICE VALVE SUCTION	1177931	1	—	—
07	SERVICE VALVE SUCTION	1177932	—	1	1
08	SERVICE VALVE LIQUID	1177929	1	1	1
09	PLUG COMPRESSOR HARNESS	1178126	1	1	1
10	GROMMET COMPRESSOR	1171270	4	4	4
11	BOLT COMPRESSOR MOUNTING	1173630	4	4	4
12	VALVE REVERSING	1175621	1	—	—
12	VALVE REVERSING	1175622	—	1	1
13	COIL REVERSING VALVE SOLENOID	1172574	1	1	1
14	HARNESS ASSY REV VALVE COIL	1175100	1	1	1
15	ACCUMULATOR	1177934	1	—	—
15	ACCUMULATOR	1177935	—	1	1
16	SWITCH HIGH PRESSURE	1174407	1	1	1
17	SWITCH LOW PRESSURE	1174412	1	1	1
18	PISTON .063	1177922	1	—	—
18	PISTON .073	1177923	—	1	—
18	PISTON .080	1177924	—	—	1
20	MOUNT MOTOR	1177955	1	1	1
22	SWITCH DEFROST SENSOR	1173637	1	1	1
23	MUFFLER	1173638	1	1	1
24	DRIER FILTER	1172311	1	1	1
25	RELAY	1174099	1	1	1
26	BOARD DEFROST CIRCUIT	1177927	1	1	1
29	STRAP ACCUMULATOR	1178091	1	1	1
31	RETAINER PISTON	1178092	1	1	1
33	LUG GROUND	1170677	1	1	1
34	HARNESS ASY DEFROST BD	1177926	1	1	1
35	HEATER CRANKCASE	1178114	1	—	—
35	HEATER CRANKCASE	1178113	—	1	1
36	SWITCH TEMP CC HTR	1178112	1	1	1
37	KIT ADAPTER ASY	1178093	1	1	1
)	CAP SERVICE 11/16—20	1175650	1	1	1
)	CAP SERVICE 15/16—20	1175651	1	—	—
)	CAP SERVICE 1—1/16—20	1175652	—	1	1
)	CAP FLARE SEAL	1172410	1	1	1
A	COVER TOP	1177941	1	1	1
B	DECK FAN	1177957	1	1	1
C	GRILLE INLET	1177948	1	—	—
C	GRILLE INLET	1177949	—	1	1
D	GRILLE OUTLET	1177951	1	—	—
D	GRILLE OUTLET	1177953	—	1	1
E	COVER ACCESS	1178094	1	1	1
F	PANEL ACCESS	1177938	1	—	—

– continued on next page –

HC4H3**ALA PARTS LIST (continued)					
KEY NO.	DESCRIPTION	FAST PARTS NO.	HC4H336ALA100	HC4H348ALA100	HC4H360ALA100
F	PANEL ACCESS	1177939	—	1	1
G	PAN BASE	1178096	1	1	1
H	LEG MOUNTING	1178098	3	3	3
J	PARTITION	1178101	1	—	—
J	PARTITION	1178102	—	1	1
K	PANEL ELECTRICAL	1177944	1	—	—
K	PANEL ELECTRICAL	1177945	—	1	1
L	PLATE SERVICE VALVE	1178110	1	1	1
M	PANEL BLOCK OFF	1178106	—	2	2
N	BOX ELECTRICAL	1178107	1	1	1
P	STRAP CAPACITOR	1174073	1	1	1
R	GROMMET	1171737	1	1	1
S	SUPPORT COIL	1178119	1	—	—
S	SUPPORT COIL	1178120	—	1	1
T	CORNER PANEL LEFT	1178123	1	—	—
T	CORNER PANEL LEFT	1178124	—	1	1
)	SCREW HEX 10AB 1/2	1177071	45	45	45
)	PISTON TOOL RESIZER KIT	1175477	1	1	1
)	PAINT TOUCH UP 1PT	1174762	1	1	1