



Combines award-winning, high-powered relay output design with advanced patented circuitry for greater precision and reliability!

Features

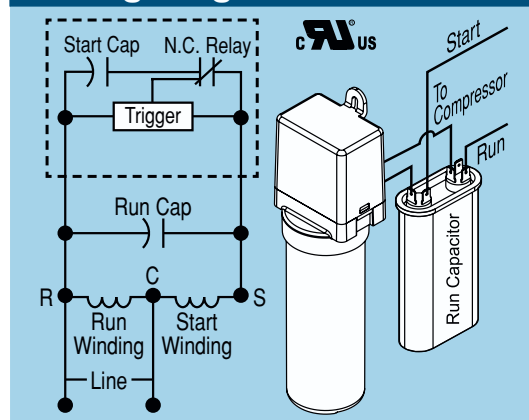
- **Patented circuitry with differential voltage sensing technology**
 - Monitors differential compressor auxiliary voltage
 - Precisely engages/disengages the start capacitor
 - Not affected by ambient temperatures
 - Recycles instantly
- **Self-adjusting to changes in voltages**
 - Does not rely on relay with pre-set, factory default ranges
 - Eliminates guesswork in “tweener” applications
 - Extends motor life
- **Rated for 1/12 to 5HP applications**
 - Reduces inventory, saves money
 - One model is all you need
- **Simple, two-wire installation**
 - Faster install time
 - Minimizes risk of accidental miswires
- **Multi-voltage operation – 115 or 230 VAC motors**
- **145-175 μ F @ 330V**
- **UL Recognized**

Specifications

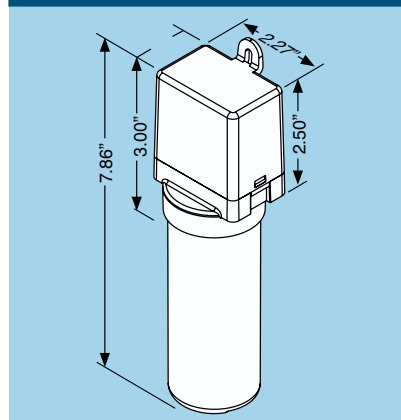
- **Voltage:** 90-240 VAC
- **Recommended range:** 1/12 to 5 HP
- **145-175 Mfd 330V capacitor**



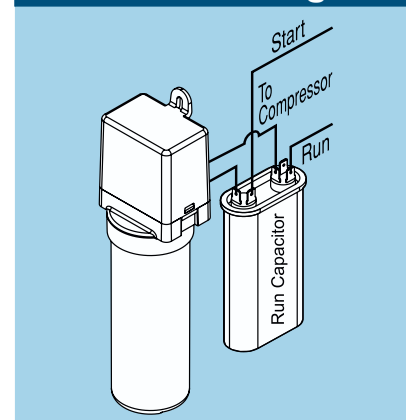
Wiring Diagram



Dimensions



Connection Diagram



ICM866U Replaces

Supco: SPP5, SPP6, SPP5E, SPP6E, SPP7E, SPP8E, SPP9E, SPP10E
Kickstart: KS1, TO-5, KS8
5-2-1: CSR-U1, CSR-U2, CSR-U3

Watsco: WSX1
Mars: 32708, SS1, SS5, 32703, 32704, 32701, 32702
Diversitech: DST-5, DST-6