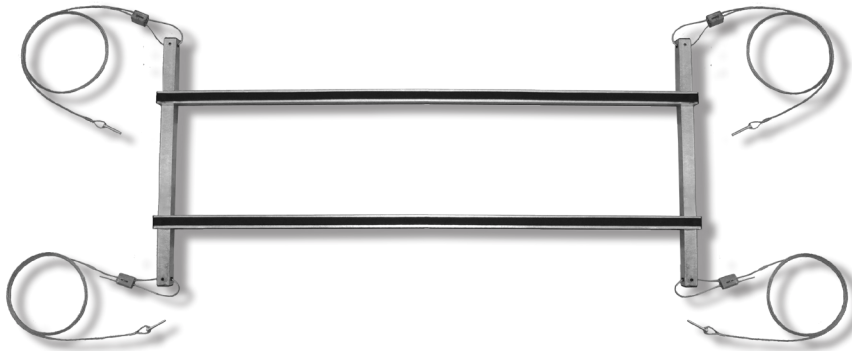




HUNG-RITE

Hung-Rite Equipment Hanger OWNER'S MANUAL



WARNING :

Please carefully read and understand all **INSTRUCTIONS** before using product. Failure to follow the steps and safety rules provided may result in serious personal injury.

PRODUCT# : HRHGR66-W10
US PATENT USD653,064S

WARRANTY

Hung-Rite ("The Company") warrants its Support System against defects in material or factory workmanship for a period of Five (5) years from the date of the original purchase ("The Warranty Period"). This warranty is limited to the original purchaser, and applies only to that specific Hung-Rite support system purchased, which shall include the main framework and included hardware accessories. If a defect is discovered during the warranty period, The Company must be notified in writing within thirty days of the discovery. The Company will, at their option, repair or replace the defective equipment at no cost to the purchaser. The following use/conditions will void this warranty:

- (A) Equipment that has not been installed according to the manufacturer's specifications.
- (B) Equipment that is used for purposes other than those for which it was originally designed.
- (C) Equipment that is not used in accordance with generally approved practices.
- (D) Disasters, whether natural or manmade, such as fire, flood, wind, earthquake, lightning, war, or vandalism.
- (E) Unauthorized alterations to or modifications of the equipment not approved by The Company in writing.
- (F) Any other abuses, neglect, or misuse of the equipment.
- (G) Installation of the equipment by persons not properly trained for that purpose.

The Company's liability under this warranty is limited to the repair or replacement of defective equipment. Your sole and exclusive remedy against The Company shall be for the repair or replacement, at The Company's option, of any defective equipment. In no event shall The Company be liable for any incidental damage or consequential damages relating to or arising out of or in connection with the use or performance of the equipment, including, without limitation, bodily harm, any labor and/or other installation expenses incurred in connection with the replacement of any defective equipment warranted hereunder, or any other indirect damages with respect to loss of revenues or profits. Some states do not allow the exclusion or limitation of incidental or consequential damages, so the above limitation or exclusion may not apply to you. This document constitutes the warranty in its entirety and no other provisions express or implied exist. This includes, without limitation, any implied warranties of merchantability and fitness of a particular purpose. Any modifications of this warranty must be in writing and signed by an officer of the company. No other person, agent, or representative of The Company has any authority to change or modify this warranty, either verbally or in writing. This warranty gives you specific legal rights, and you may also have other rights, that may vary from state to state. Because of these state laws, certain provisions of this warranty may not apply to you. The Company reserves the right to modify or change equipment at its discretion to improve the safety, operation, or usefulness of the product.



HUNG-RITE

Hung-Rite Industries
4201 Broadway Avenue Ste. B
Haltom City, Texas 76117

P: 817-831-6702
W: www.hung-rite.com
E: sales@hung-rite.com

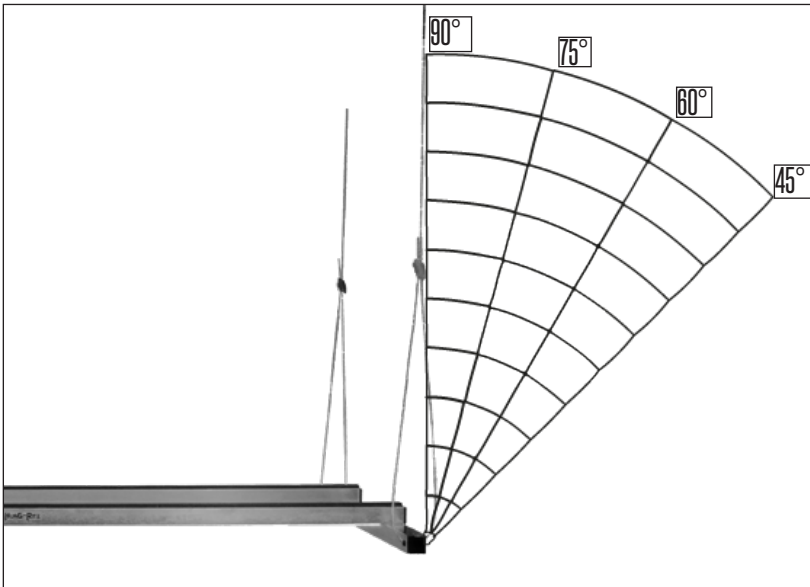
MADE IN THE USA 



BASIC INSTALLATION

1. Unpackage support system from box.
2. Unfold the hanger.
3. Measure and determine location to attach (4) cable bolts to support the structure.
4. Install bolts by drilling (4) 3/8" holes into solid, approved structure.
5. Insert 3/8ths X (31/2 in) bolt with (1) washer & (1) nut attached.
6. Apply the washers.
7. Fasten the 3/8ths nuts until completely tight with wrench.
8. Level the Hanger using the cable locks. To adjust the locks pull or push the metal wire in the direction imprinted on either side of the lock while inserting the release key into the cable lock.
9. Now, just place your equipment horizontally centered on the Hanger.

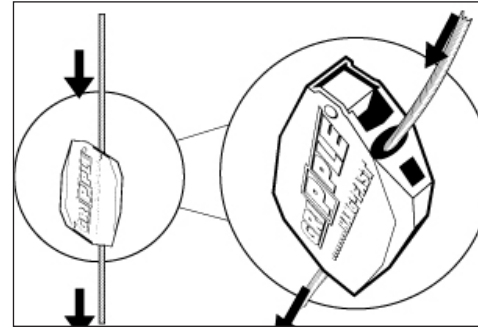
PROPER CABLE USAGE



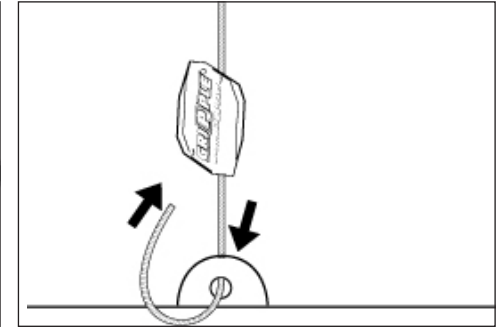
The **MAXIMUM** safe working load limit for this unit is 400 pounds. The safe range for the angle of the support cables is between 90°- 45°. The support cables **MUST** not fall below 45°. When installing you must keep the cables within the range of degrees shown above.

PROPER CABLE LOCK USAGE

INSTALL:

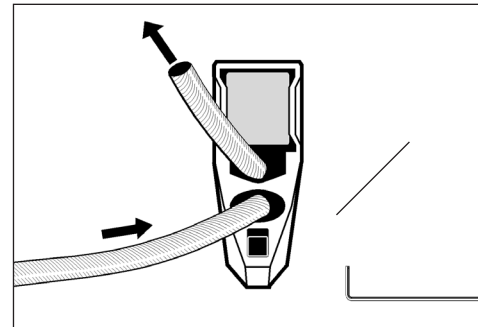


1. Push the cable end through one channel of the Gripple Fastener.

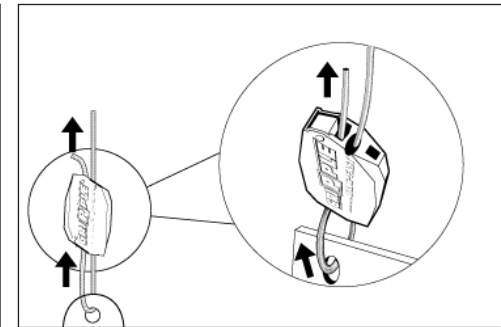


2. Pass the cable through the service or ceiling attachment point

RELEASE:



1. Make sure load is supported.



2. Press Setting Key into small hole of gripple fastener to release cable from the fastener and adjust the height of the service.