

# Replacement Filter for Perfect Fit™

## SPECIFICATION DATA



## SPECIFICATIONS

### IMPORTANT

*The specifications in this publication do not include normal manufacturing tolerances; therefore, this unit may not exactly match the listed specifications. Also, this product is tested and calibrated under closely controlled conditions, and some minor differences in performance can be expected if those conditions are changed.*

### Efficiency:

(Efficiency Ratings Based on ASHRAE Standard 52.2-1999.)  
Minimum Efficiency Reporting Value (MERV): 10 at 492 fpm.

Initial Efficiency: 22% (0.3-1.0 micron particles).

Initial Efficiency: 87% (3.0-10.0 micron particles).

### Initial Pressure Drop:

0.17 in. wc at 492 fpm

### Temperature Rating: -40° to 140°F (-40° to 60°C).

**Approvals:** Underwriters Laboratories, Inc.: Listed to UL900, Class 2.

### Replacement Schedule:

Replace every 12 months or more often if filter appears dirty enough to block airflow through heating/cooling system.

**Dimensions:** See Fig. 1 and Table 1.

## APPLICATION

The replacement filter is a high-efficiency, long-life filter for Perfect Fit media air cleaners. It captures a significant amount of the airborne particles in the air that circulate through the filter.

## FEATURES

- Higher efficiency than OEM filter.
- Captures particles as small as 0.3 micron.
- Pleated filter for greater media capacity.
- Low pressure drop reduces strain on equipment, provides a comfortable air flow, and helps maintain equipment efficiency.
- Easy installation. Angled edge fits neatly into offset side of air cleaner frame.



REPLACEMENT FILTER FOR PERFECT FIT™

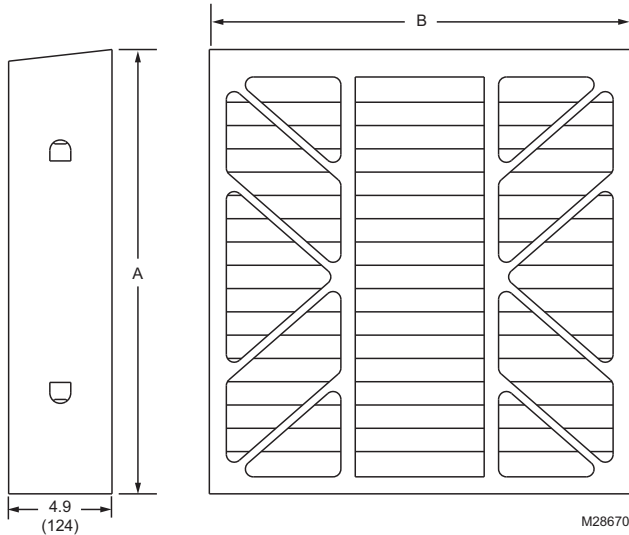


Fig. 1. Dimensions in in. (mm) (see Table 1).

Table 1. Dimensions (See Fig. 1).

Model Number	Nominal Dimensions in inches (mm)	Replaces	Dim A in inches (mm)	Dim B in inches (mm)
TRN2121T1	21-1/2 X 21 X 5 (546 X 533 X 127)	BAYFTAH21M	21.2 (538)	20.1 (511)
TRN2321T1	23-1/2 X 21 X 5 (597 X 533 X 127)	BAYFTAH23M	23.3 (592)	20.1 (511)
TRN2621T1	26 X 21 X 5 (660 X 533 X 127)	BAYFTAH26M	25.8 (655)	20.1 (511)
TRN1427T1	14-1/2 X 27 X 5 (368 X 686 X 127)	BAYFTFR14M	14.3 (363)	26.2 (665)
TRN1727T1	17-1/2 X 27 X 5 (445 X 686 X 127)	BAYFTFR17M	17.3 (439)	26.2 (665)
TRN2127T1	21 X 27 X 5 (533 X 686 X 127)	BAYFTFR21M	20.8 (528)	26.2 (665)
TRN2427T1	24 X 27 X 5 (610 X 686 X 127)	BAYFTFR24M	24.3 (617)	26.2 (665)


Perfect Fit is a trademark of Trane International, Inc.

**Automation and Control Solutions**

Honeywell International Inc.  
1985 Douglas Drive North  
Golden Valley, MN 55422  
customer.honeywell.com

Honeywell Limited-Honeywell Limitée  
35 Dynamic Drive  
Toronto, Ontario M1V 4Z9

© U.S. Registered Trademark  
© 2009 Honeywell International Inc.  
68-3070—01 M.S. 04-09

 Printed in U.S.A. on recycled paper containing at least 10% post-consumer paper fibers.

**Honeywell**