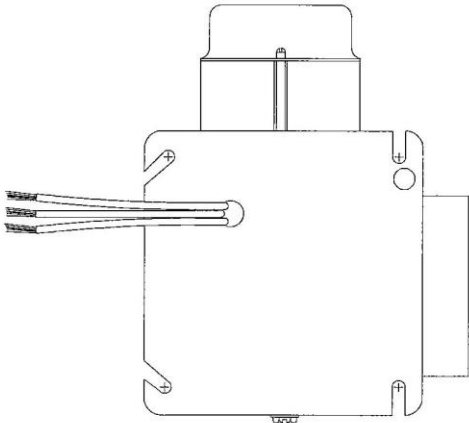
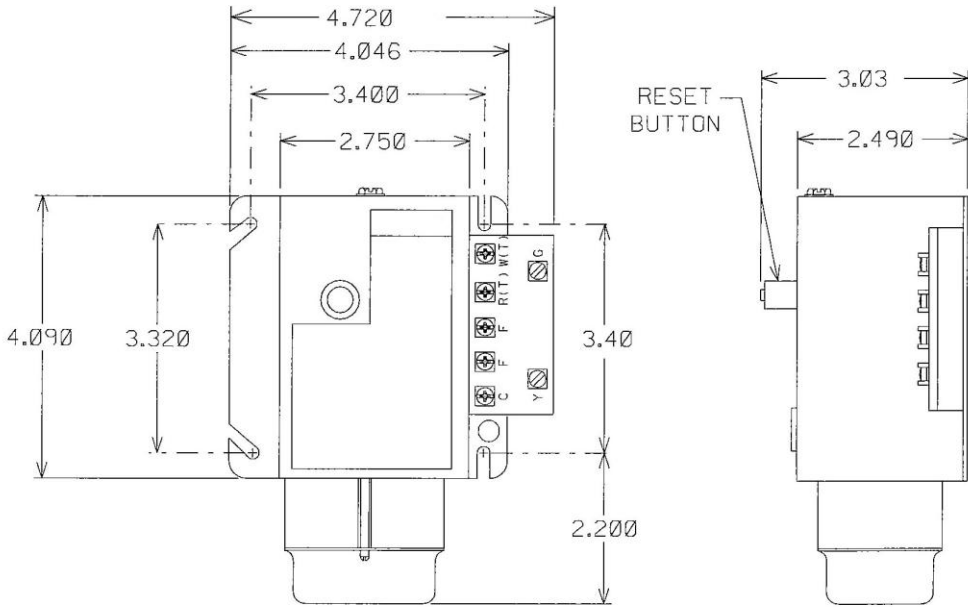


REV	NOTES	DATE



Manufacturer/Part Number: Honeywell R8184M1051

All dimensions are in inches, reference only.

Drawn By: ESP      6/9/11  
Reviewed By: WCM      6/10/11  
Date:

**RHEEM CONFIDENTIAL INFORMATION.** NO REVISION TO DESIGN, MATERIAL, TOOLING OR PROCESS IS ACCEPTABLE WITHOUT PRIOR APPROVAL FROM RHEEM THROUGH A REVISED ENGINEERING SPECIFICATION AND A RESAMPLING OF PARTS. THE SUPPLIER IS RESPONSIBLE FOR NOTIFYING RHEEM PARTS DEPARTMENT AND PURCHASING DEPARTMENTS IN WRITING OF ANY CHANGES AFFECTING PRODUCT QUALITY, PERFORMANCE, RELIABILITY, PACKAGING, DELIVERY OR WORKMANSHIP. ANY DOCUMENTS REFERRED TO ON THIS DRAWING ARE INCLUDED IN THE SPECIFICATIONS FOR THIS COMPONENT.



**Parts  
Engineering**

**Primary Control**

**PD540028**

Sheet 1 of 1