
**STANDARD CONSTRUCTION**
**MATERIAL:**

COMPLETE MOLDED R6 INSULATED BACK.  
 1/2" X 1/2" 1/2" ALUMINUM CUBE CORE.  
 RETURN GRILLE WITH MOLDED FIBERGLASS  
 PLENUM.  
 PERIMETER FRAME 22 GAUGE STEEL.

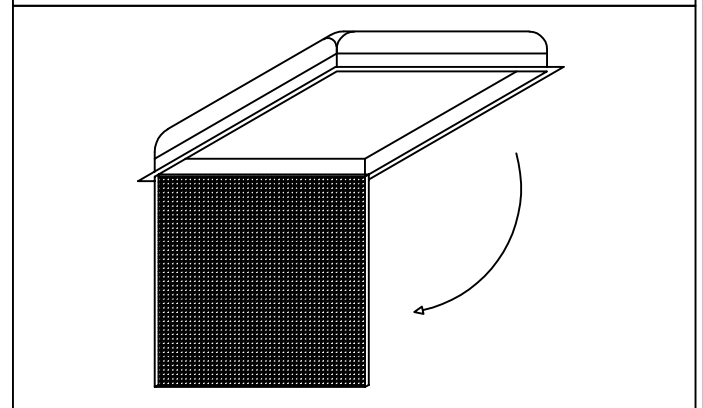
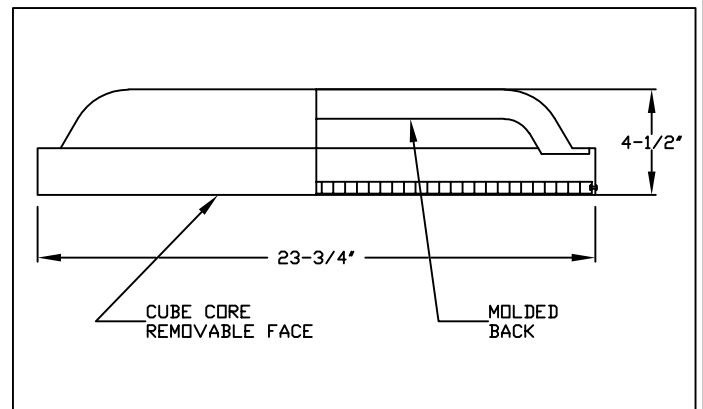
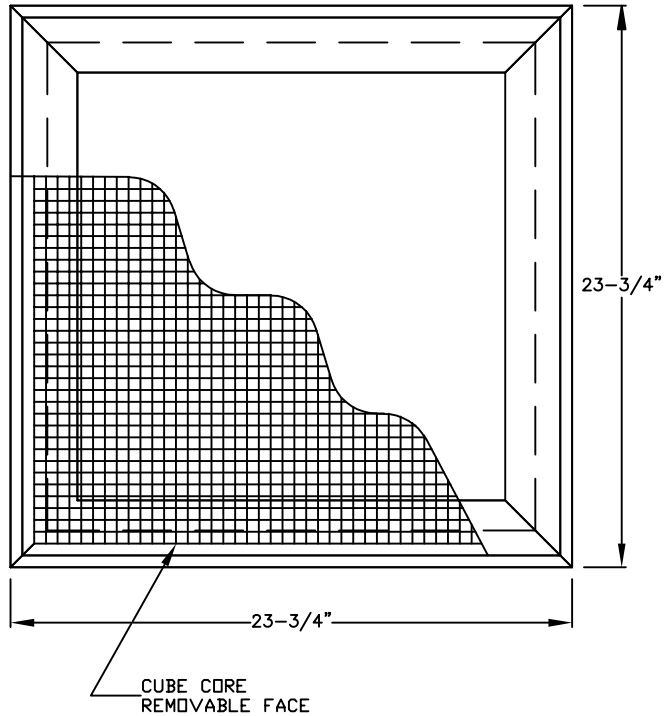
**FEATURES:**

SUPERIOR SOUND ABSORPTION.  
 LIGHT WEIGHT - EASILY SUSPENDED.  
 CONDENSATION FREE OPERATION.  
 HINGED FACE PANEL.  
 FACE WILL SWING DOWN WITH TWO REMAINING  
 LATCHES ACTING AS HINGES.  
 THE MOLDED BACK IS EASILY CUT WITH A POCKET  
 KNIFE AND THE CENTER CONNECTION PROVIDES A  
 VERY UNIFORM, WIDELY DISPERSED, AIR FLOW  
 WITHOUT DOWNDRAFTS.

**FINISH:**

FACE: SKY-WHITE (STANDARD)

AXALTA SKY-WHITE 100% POLYESTER POWDER  
 COATING GIVES AN ATTRACTIVE BRIGHT WHITE  
 FINISH AND PROVIDES ADDITIONAL PROTECTION  
 FROM AGING AND WEAR.



JOB NAME:
LOCATION:
ARCHITECT:
ENGINEER:
CONTRACTOR:
CONTACT GRILLE TECH INC. FOR ADDITIONAL INFORMATION OR WITH SPECIAL REQUIREMENTS.  5101 NW 36TH AVE MIAMI, FL 33142 PHONE: 305-537-0053 FAX: 305-537-0064  WEB: WWW.GRILLETECHINC.COM EMAIL: SALES@GRILLETECHINC.COM

**MODEL CLR**

CUBE CORE REMOVABLE FACE  
 MOLDED BACK, CEILING RETURN

DRAWN BY:	MR	DATE:	2/10/18	SCALE:	NOT TO SCALE	DRAWING NO.:	CLR
CHECKED BY:	IG	DATE:	2/12/18	REVISION:	2/10/18		