

Submittal Data: TERRA12HP230V1A 12,000 BTU/H Wall Mounted Heat- Pump System

Job Name Location Date

Purchaser Engineer

Submitted To For Reference Approval Construction

Unit Designation Schedule No.

- GENERAL FEATURES**
- Ultra High Efficiency
 - 7 Indoor Fan Speeds
 - 4 Way Airflow Operation
 - Photocatalytic Filter
 - Wireless Remote with LCD Display
 - Acrylic Resin/Anti-Corrosion Coil Protection Inside & Out
 - 5 year Limited Parts Warranty
 - 7 year Limited Compressor Warranty



System Ratings

Cooling	
Rated Capacity	12000 BTU/H
Capacity Range	3,100-13,000 BTU/H
Power Input (Max)	1,300 W
SEER	25
EER	12.8

Heating at 47° F	
Rated Capacity	13,000 BTU/H
Capacity Range	2,400-14,000 BTU/H
Power Input (Max)	1,350 W
HSPF	9.0
COP	3.5

Heating at 17° F	
Rated Capacity	8,000 BTU/H
Capacity (Max)	11,231 BTU/H
Power Input (Max)	1,166 W
COP	2.6

Operating Range		
Cooling	(Max)	118°F (48 C)
	(Min)	5°F (-15 C)
Heating	(Max)	75°F (24 C)
	(Min)	5°F (-15 C)

Power Supply	
Normal Operational Voltage	208/230 V, 1 Phase, 60 Hz
Voltage Range	187 - 253V
Main Power Wire Size	14-2 AWG
Interconnecting Cable Wire Size	14-4 AWG
MCA	10 A
MOCP/Breaker Size	15 A

Indoor Unit Data

Fan Motor	Output Power	10 W
	FLA	0.1 A

Airflow		
Cooling	Wet (Lo/Hi)	112/430 CFM
Heating	Dry (Lo/Hi)	118/453 CFM

Sound Pressure Level		
Cooling	(Lo/Hi)	34/44 db(A)
Heating	(Lo/Hi)	34/44 db(A)

Dimensions & Weights		
Unit Dimensions (LxHxD)	34.1 x 11.5 x 8.2-in	
Weight (Net/Shipping)	24/31 LBS	

Outdoor Unit Data

Compressor DC Inverter Driven Rotary

Refrigerant Type R410A

Fan Motor	Output Power	40 W
	FLA	0.2 A

Sound Pressure		
Cooling	(Lo/Hi)	49/59 db(A)
Heating	(Lo/Hi)	49/59 db(A)

Dimensions & Weights		
Unit Dimensions (LxHxD)	35.4 x 23.5 x 14.9 -in	
Weight (Net/Shipping)	87/92 LBS	

Refrigerant Piping Data		
Gas Pipe Size (OD)	1/2-in	
Liquid Pipe Size (OD)	1/4-in	
Connection Method	Flared	
MAX Refrigerant Pipe Length	66-ft	
MIN Refrigerant Pipe Length	10-ft	
MAX Refrigerant Pipe Height Difference	33-ft	



EXTENDED RATINGS

COOLING PERFORMANCE

Outdoor Ambient Temperature (DB)	Indoor Entering Air Temperatures (DB) 50% RH					
	62 F		67 F		72 F	
	TC	SHC	TC	SHC	TC	SHC
25 F	15,018	11,165	16,222	11,751	17,301	12,501
35 F	14,686	11,146	15,586	11,415	16,370	11,846
45 F	13,960	10,745	14,920	11,089	15,976	11,597
55 F	13,446	10,408	14,321	10,767	15,341	11,247
65 F	12,989	10,115	14,295	10,856	15,143	11,106
75 F	12,488	9,771	13,449	10,350	14,434	10,684
85 F	12,004	9,518	12,857	9,958	13,902	10,454
95 F	11,387	9,126	12,245	9,770	13,345	10,052
105 F	10,766	8,764	11,603	9,254	12,568	9,684
115 F	10,144	8,417	10,783	8,756	11,492	8,999

HEATING PERFORMANCE

Outdoor Ambient Temperature (DB) (80% RH)	Indoor Entering Air Temperatures (DB)					
	65 F		70 F		75 F	
	TC	SHC	TC	SHC	TC	SHC
5 F	10,582	10,582	10,421	10,421	10,292	10,292
15 F	10,962	10,962	10,827	10,827	10,778	10,778
25 F	13,013	13,013	12,847	12,847	12,238	12,238
35 F	13,247	13,247	13,163	13,163	12,699	12,699
45 F	14,670	14,670	14,249	14,249	13,515	13,515
55 F	14,688	14,688	14,318	14,318	13,799	13,799
65 F	14,634	14,634	14,418	14,418	14,046	14,046

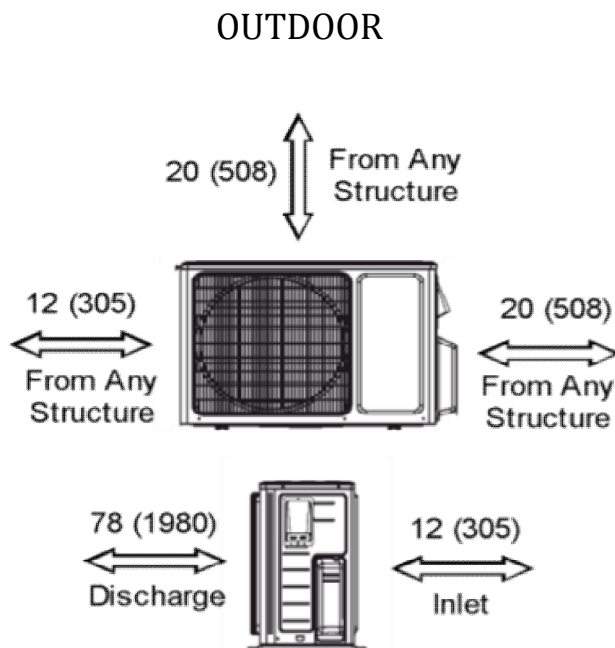
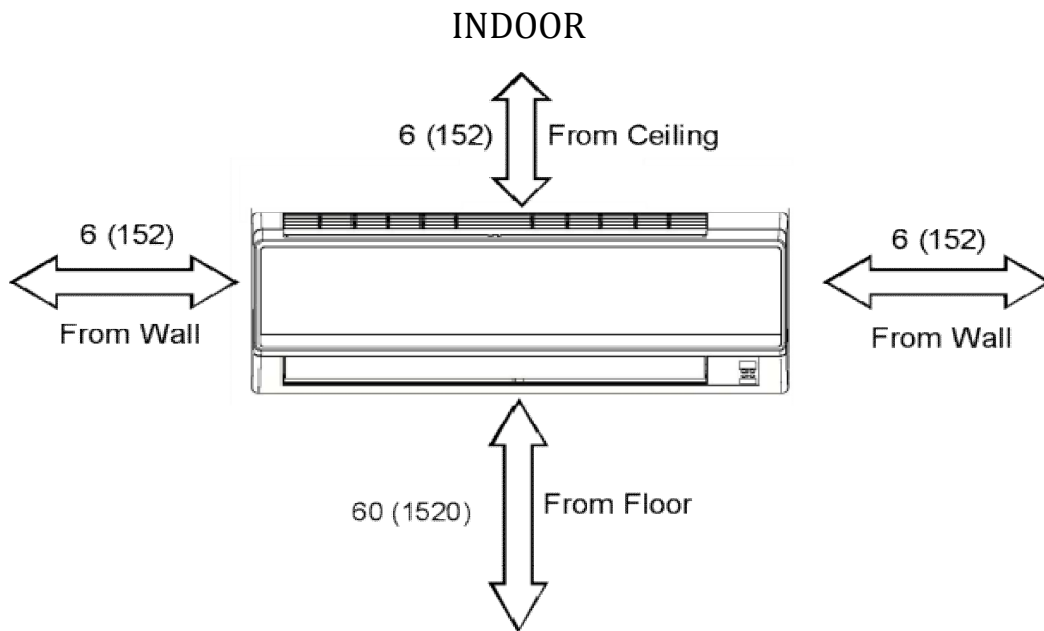
TC- Total Capacity (BtuH)

SHC- Sensible Capacity (BtuH)



MINIMUM SPACING REQUIREMENTS

Units: inch (mm)

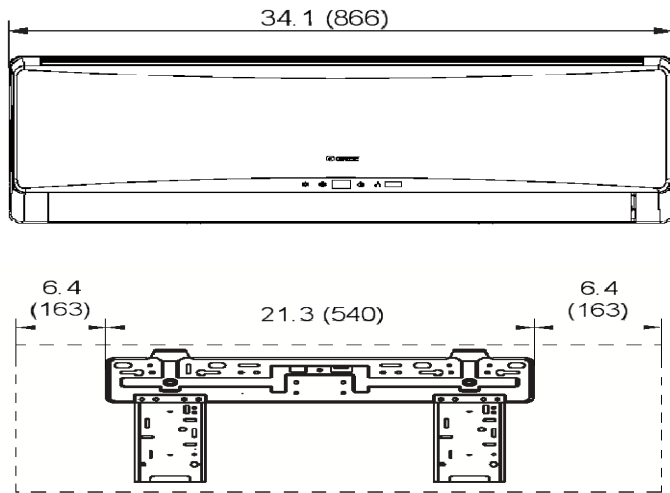


DIMENSIONAL SPECIFICATIONS

TERRA12HP230V1A

INDOOR UNIT DIMENSIONS

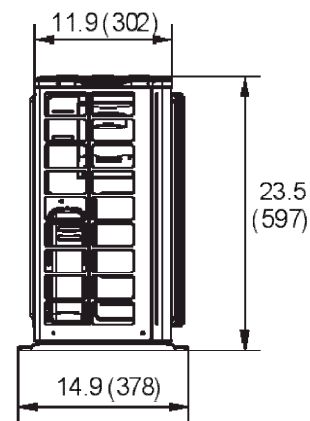
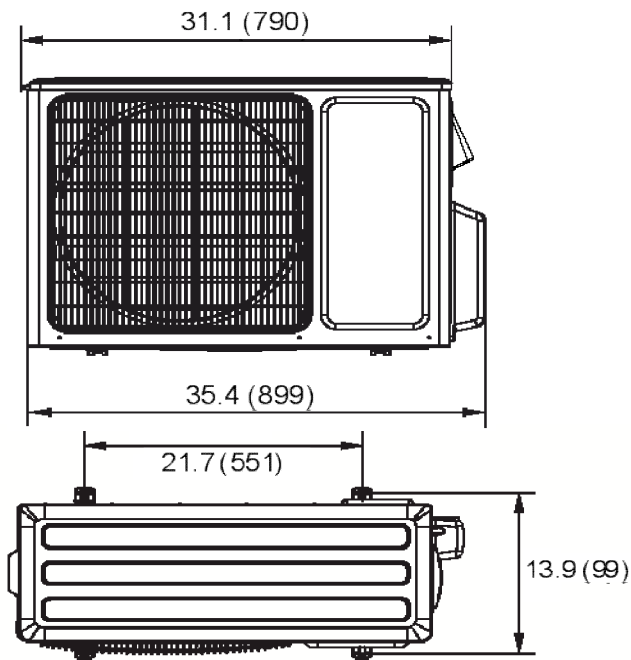
Units: inch (mm)



Liquid Line Valve	1/4-in OD Flared
Gas Line Valve	1/2-in OD Flared
Drain Connector	5/8-in OD

OUTDOOR UNIT DIMENSIONS

Units: inch (mm)



Liquid Line Valve	1/4-in OD Flared
Gas Line Valve	1/2-in OD Flared

Notes:

1. Recommended Interconnecting Cable Type Stranded Bare Copper Conductors THHN 600V Wire
2. Power wiring cable size must comply with applicable national and local codes.
3. Test conditions are based on AHRI 210/240.



Specifications are subject to change without notice. Manufacturer reserves the right to discontinue or modify specifications or designs without notice or without incurring obligations. All rights reserved.