

# Sapphire Parts Manual

## Revision A

Models: SAP09HP230V1A  
SAP12HP230V1A  
SAP18HP230V1A  
SAP24HP230V1A

## Product Catalog Nomenclature

Product Nomenclature.....2

## Exploded View and Parts List

### SAP09HP230V1AS & SAP12HP230V1AS

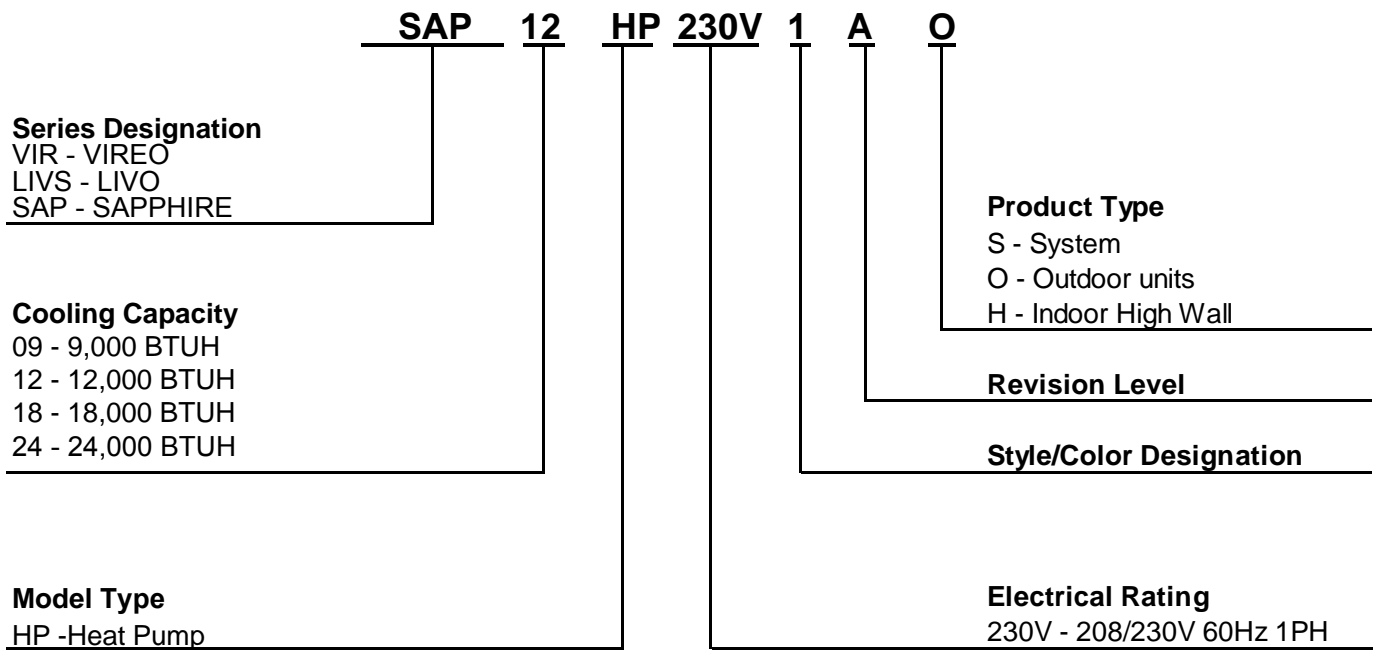
Exploded View Indoor Unit.....3  
Parts List Indoor Unit.....4  
Exploded View Outdoor Unit.....5  
Parts List Outdoor Unit.....7

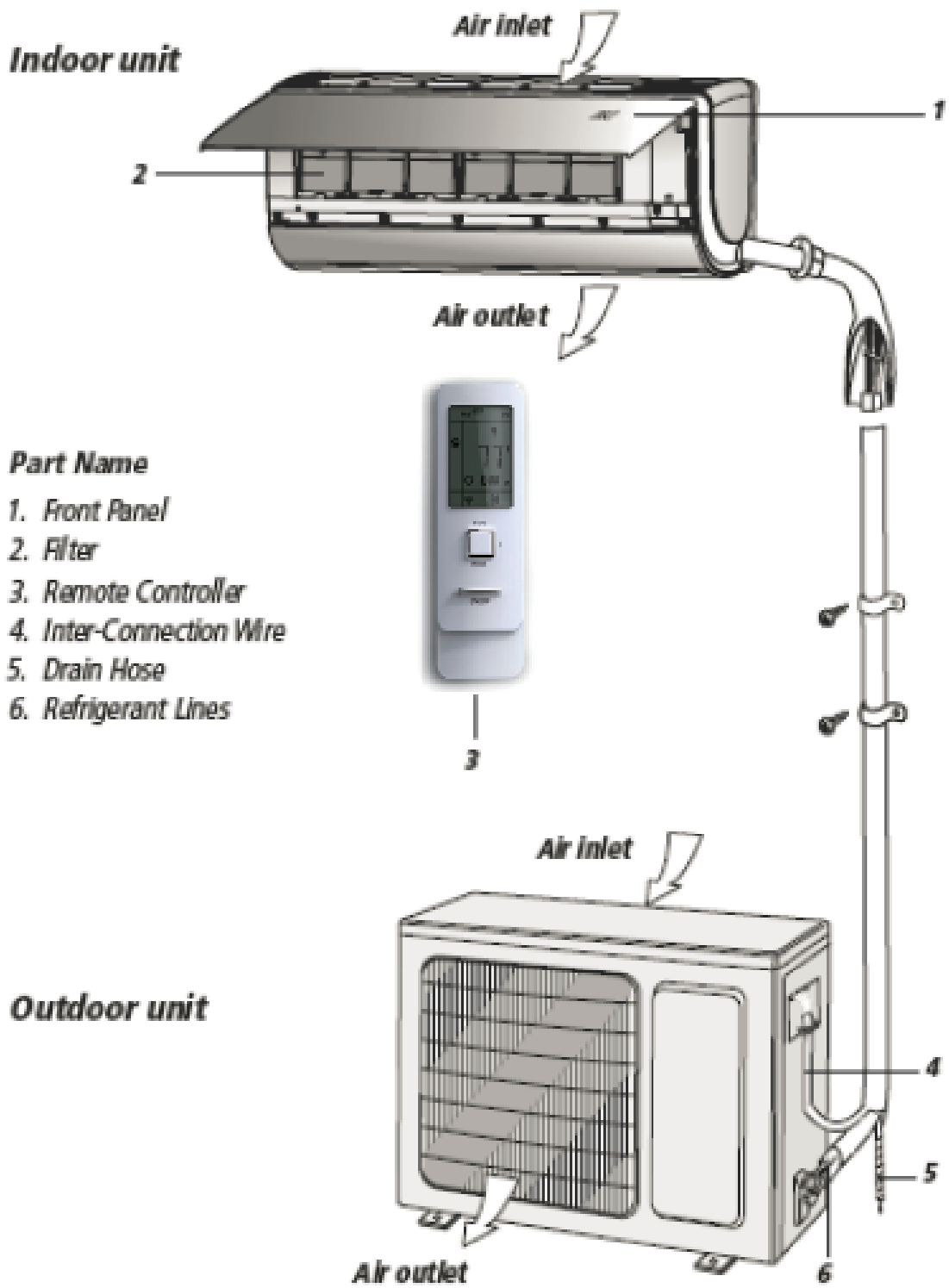
### SAP18HP230V1AS & SAP24HP230V1AS

Exploded View Indoor Unit.....8  
Parts List Indoor Unit.....9  
Exploded View Outdoor Unit.....10  
Parts List Outdoor Unit.....11

# Product Catalog Number-Nomenclature

Example: SAP12HP230V1AO

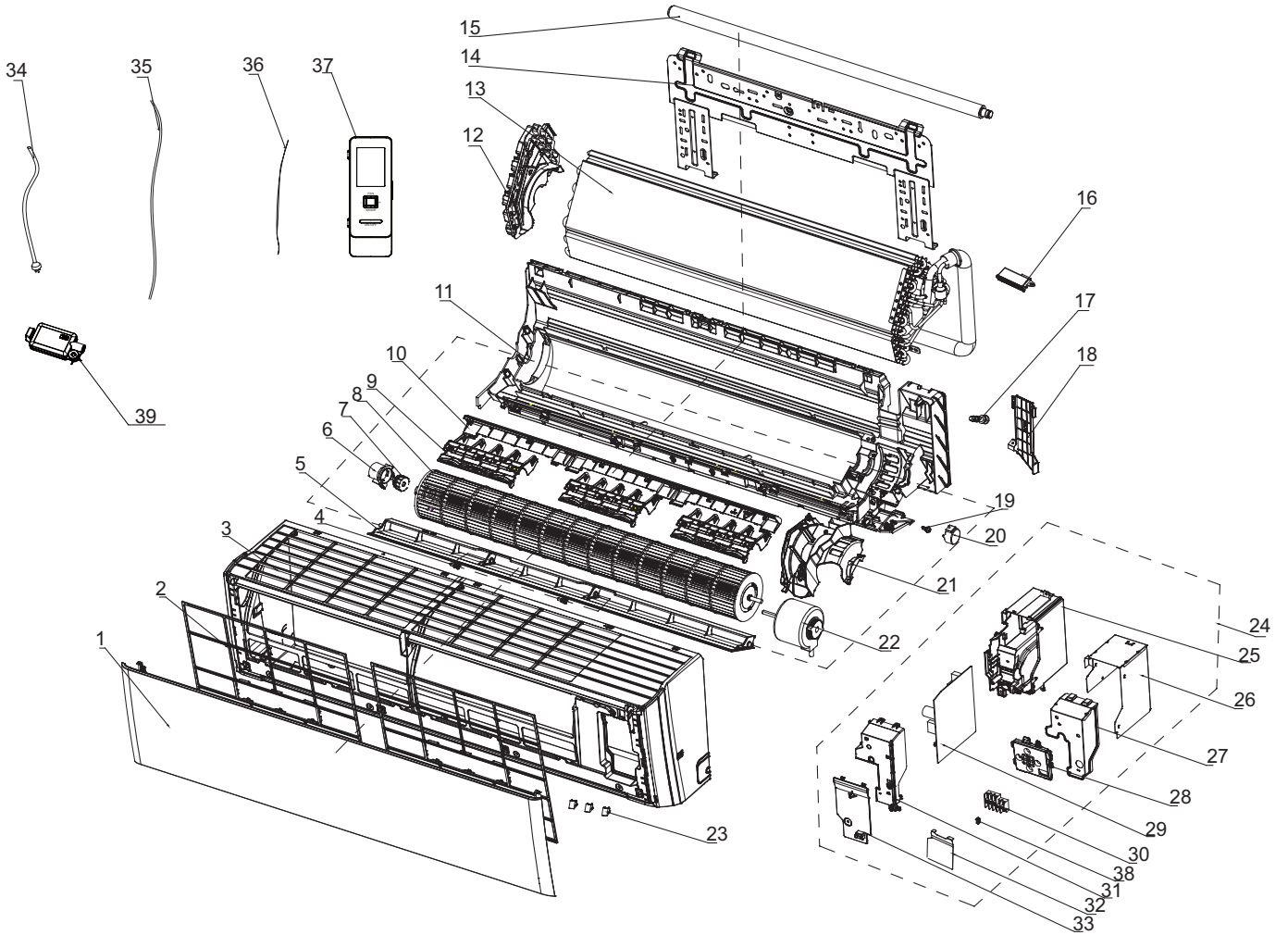




# Exploded View and Parts List

## Indoor Unit

### SAP09HP230V1AH SAP12HP230V1AH



The component picture is only for reference; please refer to the actual product.

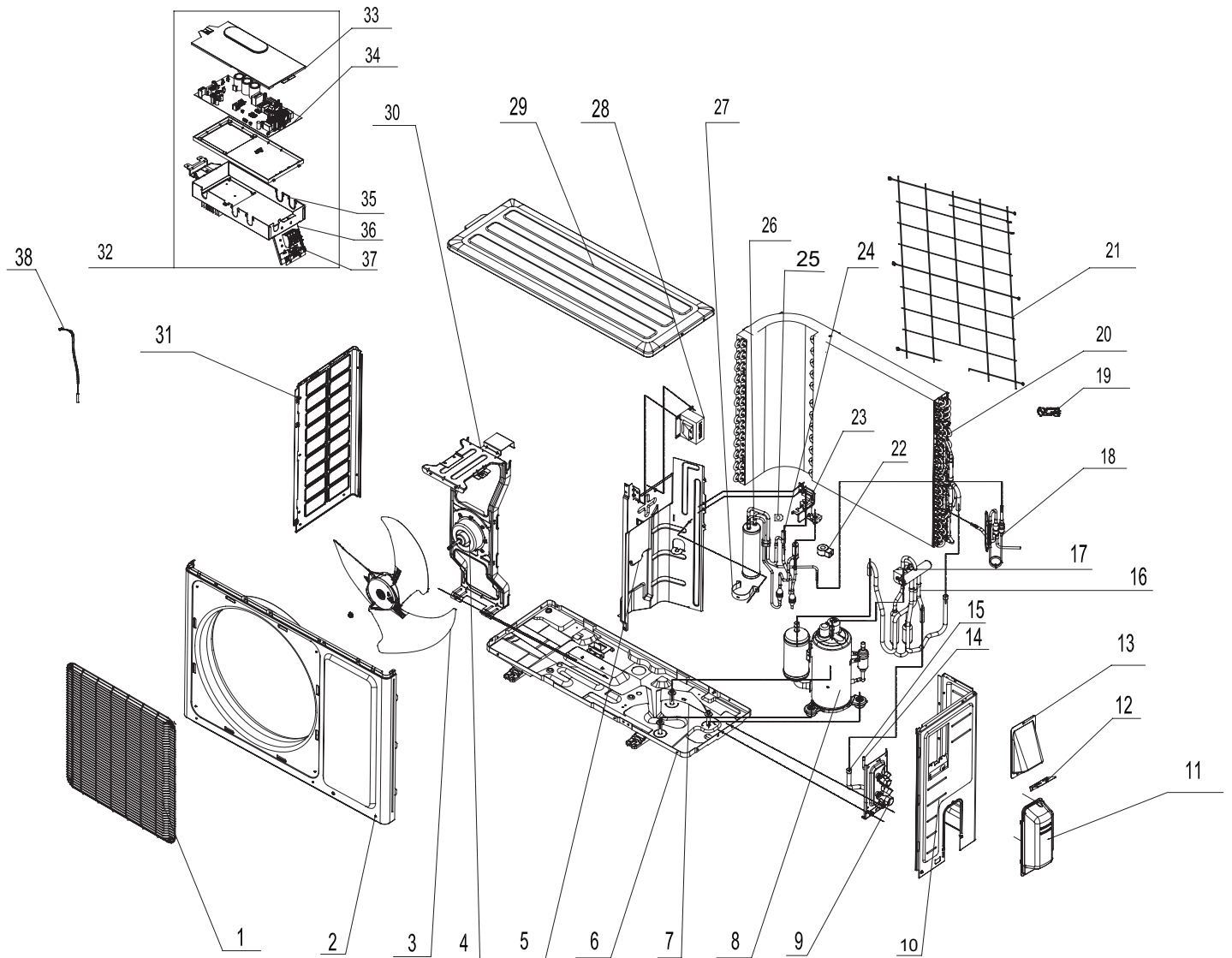


No.	Description	Part Code		Qty
		SAP09HP230V1AH	SAP12HP230V1AH	
		Product Code	Product Code	
		CB437N01200	CB437N00900	
1	Front Panel(low display)	20000300057T	20000300057T	1
2	Filter Sub-Assy	11122089	11122089	2
3	Front Case Sub-Assy	00000200060	00000200060	1
4	Axile Bush	10542036	10542036	2
5	Guide Louver	10512501	10512501	1
6	Ring of Bearing	26152025	26152025	1
7	O-Gasket of Cross Fan Bearing	76512203	76512203	1
8	Cross Flow Fan	10352060	10352060	1
9	Air Louver(Manual)	10512736	10512736	3
10	Helicoid Tongue	26112512	26112512	1
11	Rear Case assy	00000100177	00000100177	1
12	Evaporator Support	24212177	24212177	1
13	Evaporator Assy	0100200001401	0100200001401	1
14	Wall Mounting Frame	01362026	01362026	1
15	Drainage Hose	05230014	05230014	1
16	Cold Plasma Generator	/	/	/
17	Rubber Plug (Water Tray)	76712012	76712012	1
18	Connecting pipe clamp	2611218801	2611218801	1
19	Crank	73012005	73012005	1
20	Stepping Motor	1521240212	1521240212	1
21	Motor Press Plate	26112511	26112511	1
22	Fan Motor	15012136	15012136	1
23	Screw Cover	2425201726	2425201726	3
24	Electric Box Assy	10000204907	10000204767	1
25	Electric Box	2011221102	2011221102	1
26	Lower Shield of Electric Box	01592139	01592139	1
27	Shield Cover of Electric Box	01592176	01592176	1
28	Display Board	30565260	30565260	1
29	Main Board	300002000093	300002000093	1
30	Terminal Board	42011233	42011233	1
31	Electric Box Cover	2011220901	2011220901	1
32	Electric Box Cover2	2011221001	2011221001	1
33	Shield Cover of Electric Box Cover 2	01202000099	01202000099	1
34	Connecting Cable	400205382	400205382	0
35	Connecting Cable	/	/	/
36	Temperature Sensor	3900031302	3900031302	1
37	Remote Controller	30510138	30510138	1
37a	Cradle for Remote Controller - Not Shown	26150008	26150008	1
38	Jumper	4202021911	4202021912	1
39	Detecting Plate	30070077	30070077	1

Above data is subject to change without notice.

# Outdoor Unit

## SAP09HP230V1AO SAP12HP230V1AO



The component picture is only for reference; please refer to the actual product.



No.	Description	Part Code		Qty
		SAP09HP230V1AO	SAP12HP230V1AO	
		Product Code	Product Code	
		CB437W01200	CB437W00900	
1	Front Grill	01473065	01473065	1
2	Cabinet	0143303402P	0143303402P	1
3	Axial Flow Fan	10333022	10333022	1
4	Fan Motor	1501308511	1501308511	1
5	Clapboard	01233510	01233510	1
6	Chassis Sub-assy	0280311901P	0280311901P	1
7	Electrical Heater (Chassis)	76510004	76510004	1
8	Compressor and Fittings	00103977	00103977	1
9	Valve Support Sub-Assy	01703242P	01713115P	1
10	Right Side Plate	0130510002P	0130510002P	1
11	Valve Cover	22243005	22243005	1
12	Cable Cross Plate 1	02123013P	02123013P	1
13	Cable Cross Plate 2	02123014P	02123014P	1
14	Cut off Valve Sub-Assy	0713376301	0713376301	1
15	Cut off Valve 1/2	07100006	0710307901	1
16	4-Way Valve Assy	03073358	03073360	1
17	Magnet Coil	4300008301	4300008301	1
18	Capillary Sub-assy	03000600300	03000600305	1
19	Wiring Clamp	26115004	26115004	1
20	Condenser Assy	01100200314	01100200318	1
21	Rear Grill	0147306001	0147306001	1
22	Electric Expand Valve Fitting	4300876704	4300876704	1
23	Stationary Barrier	01703179	01703179	1
24	Electronic Expansion Valve	07133909	07133909	1
25	Flash Vaporizer Sub-assy	07223057	03007000001	1
26	Magnet Coil	4300008301	4300040047	1
27	Tube Clip	02143030	02143030	1
28	Reactor	43130185	43130185	1
29	Coping	01253034P	01253034P	1
30	Motor Support Sub-Assy	01703180	01703180	1
31	Left Side Plate	01303169P	01303169P	1
32	Electric Box Assy	10000100921	10000100908	1
33	Electric Box Cover Sub-Assy	0260309601	0260309601	1
34	Main Board	300027000087	300027000057	1
35	Electric Box 1	20113005	20113005	1
36	Terminal Board	42010313	42010313	1
37	Wire Clamp	71010003	71010003	2
38	Temperature Sensor	39000079	3900007901	1

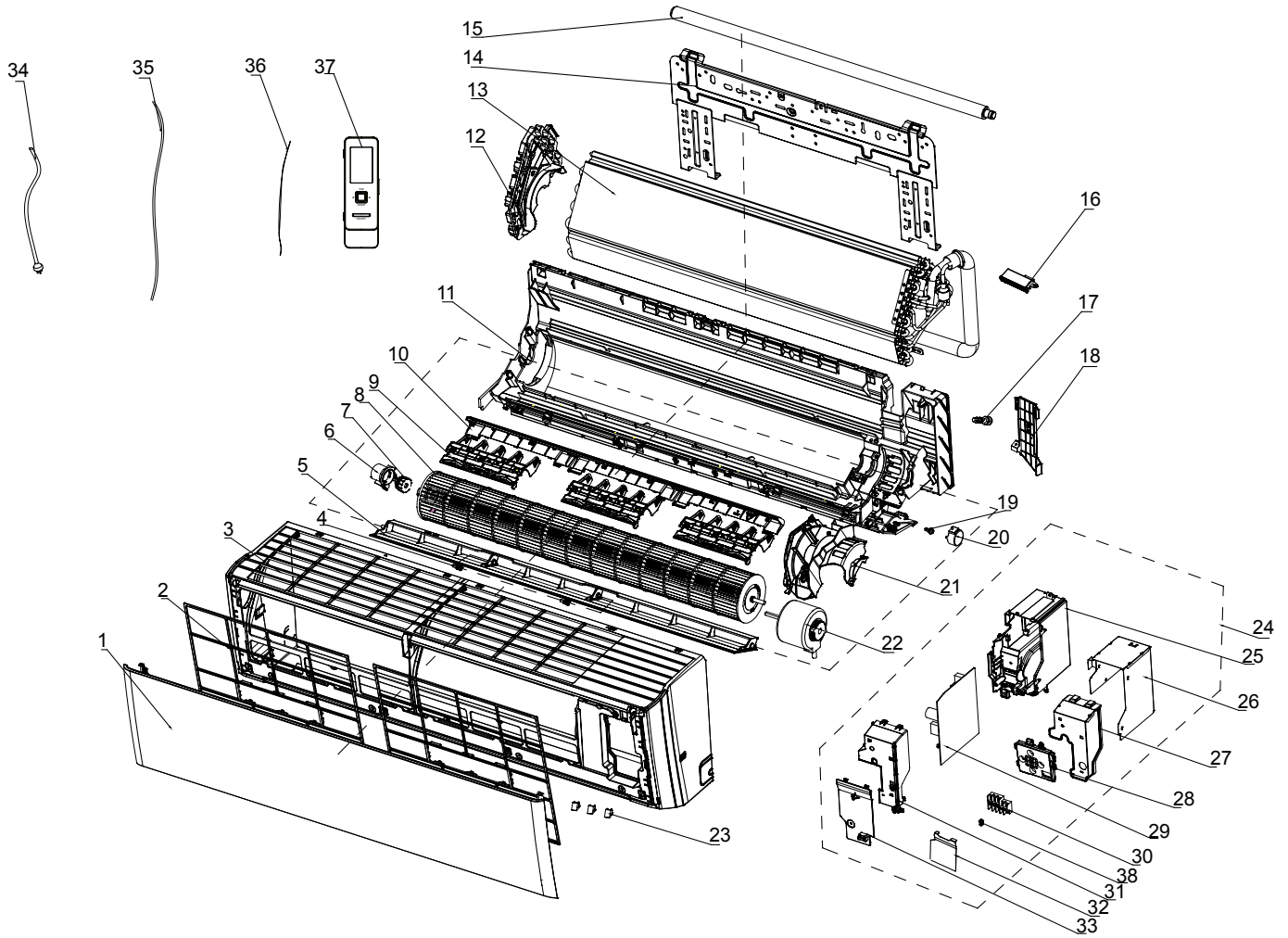
Above data is subject to change without notice.



# Exploded View and Parts List

## Indoor Unit

SAP18HP230V1AH  
SAP24HP230V1AH



The component picture is only for reference; please refer to the actual product.



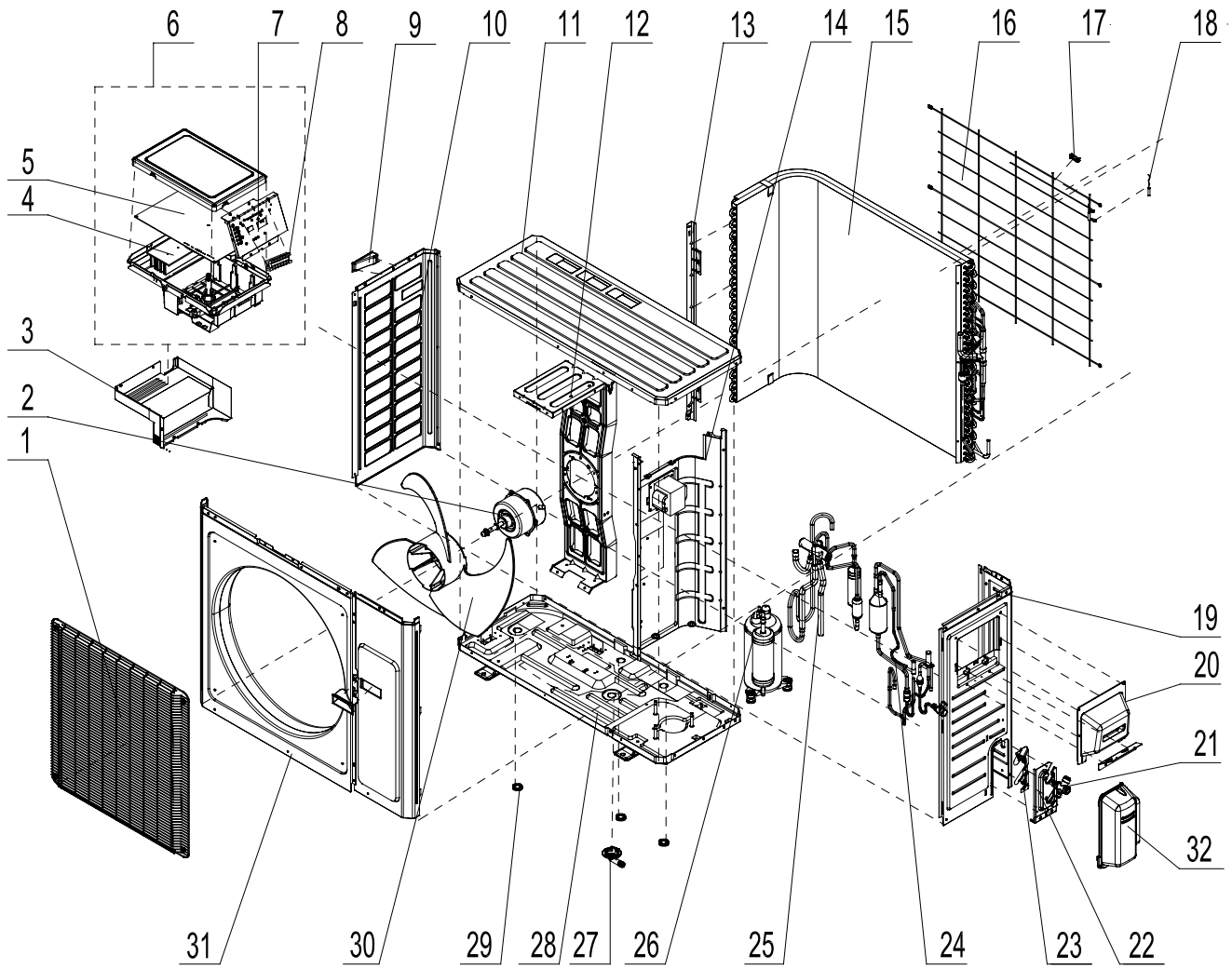
No.	Description	Part Code		Qty
		SAP18HP230V1AH	SAP24HP230V1AH	
	Product Code	CB437N01500	CB437N01700	
1	Front Panel(low display)	20000300059T	20000300059T	1
2	Filter Sub-Assy	11012007	11012007	2
3	Front Case Sub-Assy	0000020006401	0000020006401	1
4	Axile Bush	10542036	10542036	2
5	Guide Louver	10512503	10512503	1
6	Ring of Bearing	26152025	26152025	1
7	O-Gasket of Cross Fan Bearing	76512203	76512203	1
8	Cross Flow Fan	10352057	10352057	1
9	Air Louver(Manual)	10512744	10512744	3
10	Helicoid Tongue	26112513	26112513	1
11	Rear Case assy	00000100170	00000100170	1
12	Evaporator Support	24212178	24212178	1
13	Evaporator Assy	011001000180	011001000095	1
14	Wall Mounting Frame	01252229	01252229	1
15	Drainage Hose	0523001405	0523001405	1
16	Cold Plasma Generator	/	/	/
17	Rubber Plug (Water Tray)	76712012	76712012	1
18	Connecting pipe clamp	26112514	26112514	1
19	Crank	73012005	73012005	1
20	Stepping Motor	1521210704/1521240210	1521210704/1521240210	1
21	Motor Press Plate	26112515	26112515	1
22	Fan Motor	1501213601	1501213601	1
23	Screw Cover	22242191	22242191	3
24	Electric Box Assy	100002000486	100002000597	1
25	Electric Box	2011221102	20112211	1
26	Lower Shield of Electric Box	01592139	01592139	1
27	Shield Cover of Electric Box	01592176	01592176	1
28	Display Board	30565260	30565260	1
29	Main Board	300002000093	300002000093	1
30	Terminal Board	42011233	42011233	1
31	Electric Box Cover	2011220901	2011220901	1
32	Electric Box Cover2	2011221001	2011221001	1
33	Shield Cover of Electric Box Cover 2	01202000099	01202000099	1
34	Connecting Cable	/	/	/
35	Connecting Cable	/	/	/
36	Temperature Sensor	3900031302	3900031302	1
37	Remote Controller	30510138	30510138	1
37a	Cradle for Remote Controller - Not Shown	26150008	26150008	1
38	Jumper	4202021914	4202021930	1

Above data is subject to change without notice.



**Outdoor Unit**

**SAP18HP230V1AO**  
**SAP24HP230V1AO**



No.	Description	Part Code		Qty
		SAP18HP230V1AO	SAP24HP230V1AO	
	Product Code	CB437W01500	CB437W01700	
1	Front Grill	01473050	01473050	1
2	Fan Motor	15010400000102	15010400000102	1
3	/	/	/	/
4	Radiator	49015215	4901521501	1
5	Main Board	300027000040	300027000224	1
6	Electric Box Assy	100002000485	100002000598	1
7	Terminal Board Support sub-assy	01715016	01715016	1
8	Terminal Board	42010255	42010255	1
9	Handle	26233053	26233053	1
10	Left Side Plate	01305043P	01305043P	1
11	Coping	01255006P	01255006P	1
12	Motor Support Assy	000046000019	017012000015	1
13	Condenser Support Plate	01175092	01175092	1
14	Clapboard Sub-Assy	01235091	01233182	1
15	Condenser Assy	011002000242	011002000340	1
16	Rear Grill	01475013	01475013	1
17	Wiring Clamp	26115004	26115004	1
18	Temperature Sensor	39000072	39000072	1
19	Right Side Plate	0130504402P	0130504402P	1
20	Handle Assy	02113109	02113109	1
21	Cut off Valve	07130239	07130239	1
22	Valve Support Sub-Assy	0170506101P	0170506101P	1
23	Valve Support Block	26113017	26113017	1
24	Electronic Expansion Valve assy	4300876704	030174000045	1
25	4-Way Valve Assy	030152000081	030152000081	1
26	Compressor and Fittings	00105251	4300876704	1
27	Drainage Connector	06123401	06123401	1
28	Chassis Sub-assy	02803315P	017000000166P	1
29	Drainage hole Cap	06813401	06813401	1
30	Axial Flow Fan	10335013	10335013	1
31	Cabinet	0143500401P	0143500401P	1
32	Valve Cover	22245003	22245003	1

Above data is subject to change without notice.