

rio

Replacement Parts Catalog

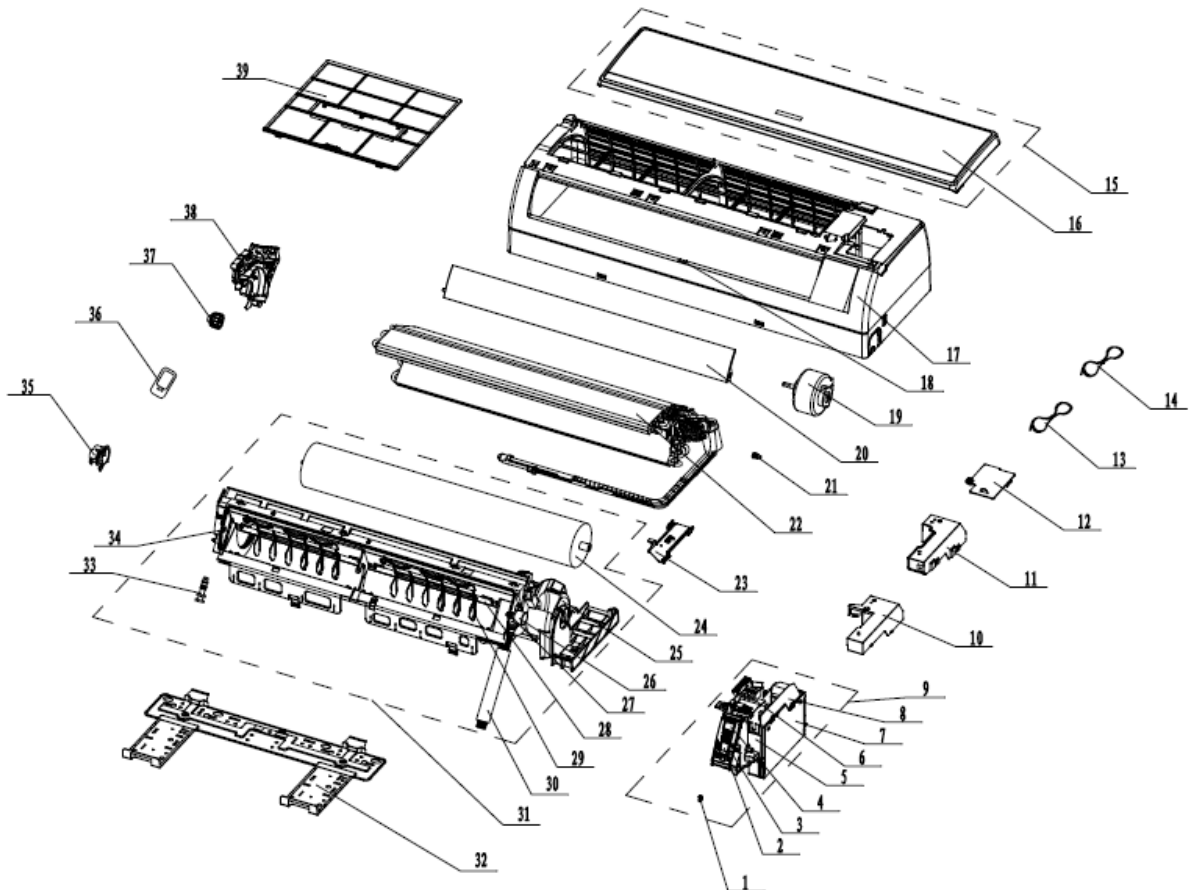


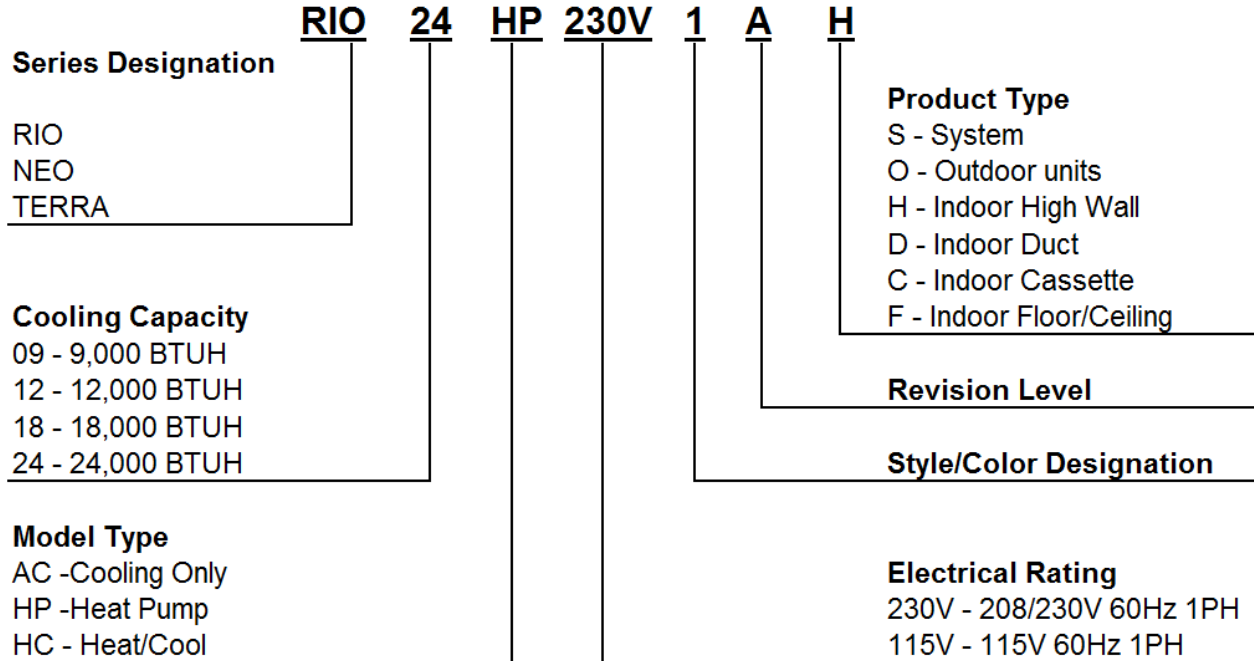
Table of Contents

Model Number	Description	Page
Nomenclature	Part Number Nomenclature Chart	3-4
RIO09HP115V1AH	Heat Pump 9,000 BTUH 115v Indoor Unit	5-6
RIO09HP115V1AO	Heat Pump 9,000 BTUH 115v Outdoor Unit	7-8
RIO09HP230V1AH	Heat Pump 9,000 BTUH 208/230v Indoor Unit	9-10
RIO09HP230V1AO	Heat Pump 9,000 BTUH 208/230v Outdoor Unit	11-12
RIO09HP230V1BH	Heat Pump 9,000 BTUH 208/230v Indoor Unit	13-14
RIO09HP230V1BO	Heat Pump 9,000 BTUH 208/230v Outdoor Unit	15-16
RIO12HP230V1AH	Heat Pump 12,000 BTUH 208/230v Outdoor Unit	17-18
RIO12HP115V1AO	Heat Pump 12,000 BTUH 115v Outdoor Unit	19-20
RIO12HP230V1AH	Heat Pump 12,000 BTUH 208/230v Indoor Unit	21-22
RIO12HP230V1AO	Heat Pump 12,000 BTUH 208/230v Outdoor Unit	23-24
RIO12HP230V1BH	Heat Pump 12,000 BTUH 208/230v Indoor Unit	25-26
RIO12HP230V1BO	Heat Pump 12,000 BTUH 208/230v Outdoor Unit	27-28
RIO18HP230V1AH	Heat Pump 18,000 BTUH 208/230v Indoor Unit	29-30
RIO18HP230V1AO	Heat Pump 18,000 BTUH 208/230v Outdoor Unit	31-32
RIO18HP230V1BH	Heat Pump 18,000 BTUH 208/230v Indoor Unit	33-34
RIO18HP230V1BO	Heat Pump 18,000 BTUH 208/230v Outdoor Unit	35-36
RIO24HP230V1AH	Heat Pump 24,000 BTUH 208/230v Indoor Unit	37-38
RIO24HP230V1AO	Heat Pump 24,000 BTUH 208/230v Outdoor Unit	39-40

Product Catalog Number-Nomenclature

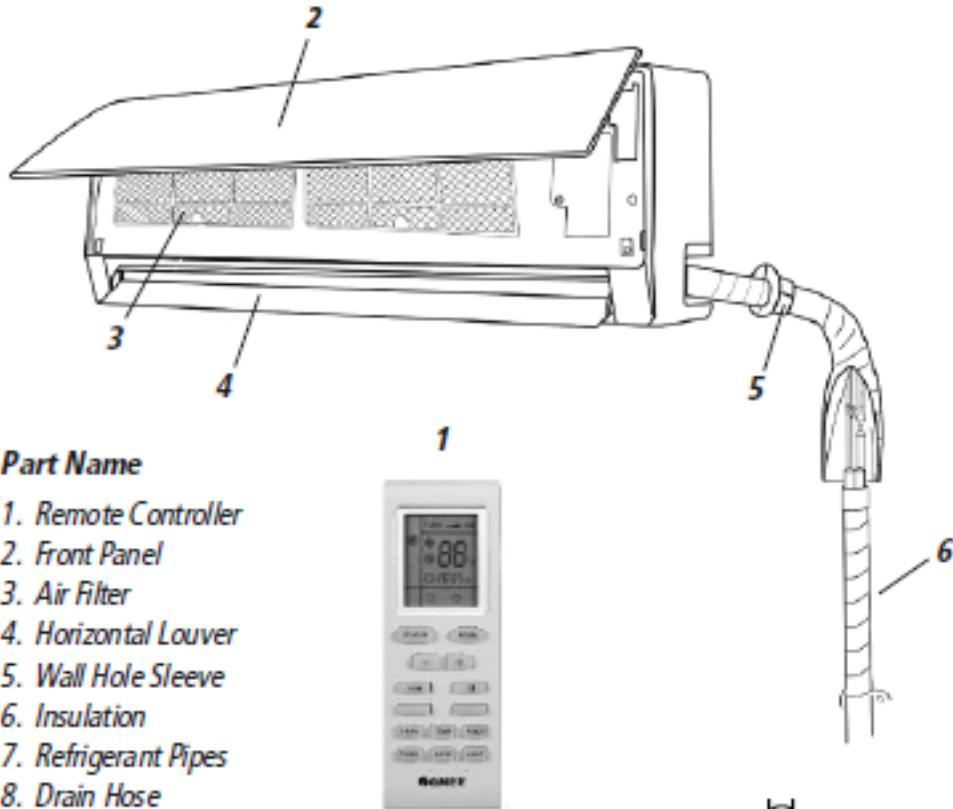
(2014 and later)

Example: RIO24HP230V1AH



Typical Product Installation

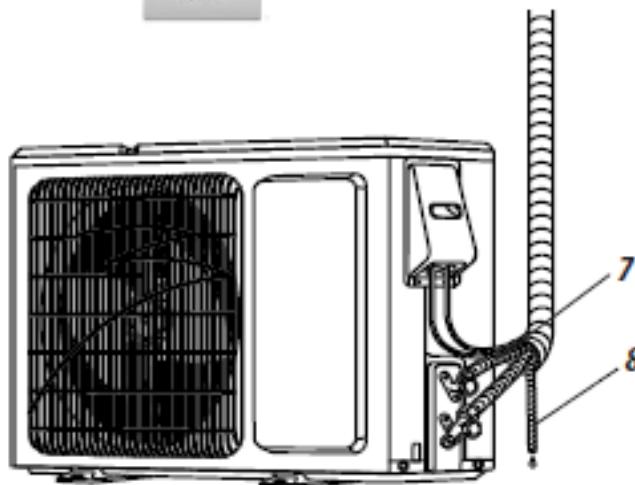
Indoor unit



Part Name

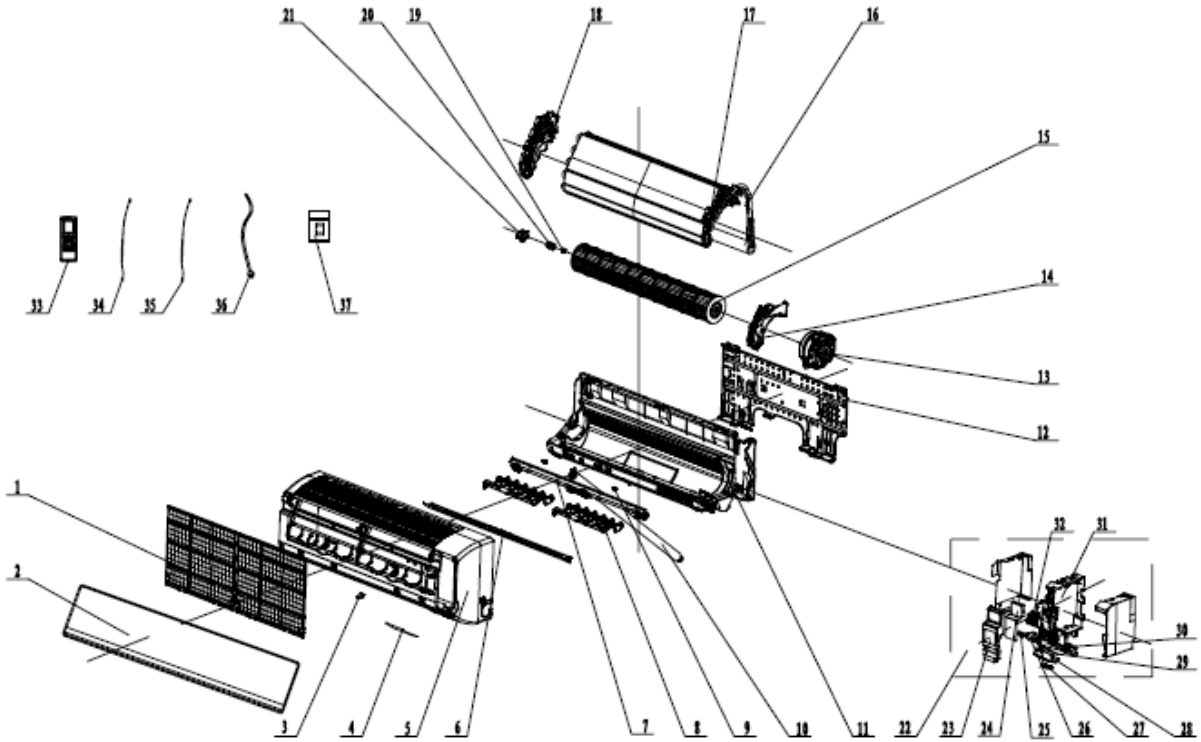
1. Remote Controller
2. Front Panel
3. Air Filter
4. Horizontal Louver
5. Wall Hole Sleeve
6. Insulation
7. Refrigerant Pipes
8. Drain Hose

Outdoor unit



RIO09HP115V1AH

9,000 BTUH 115v Indoor Unit

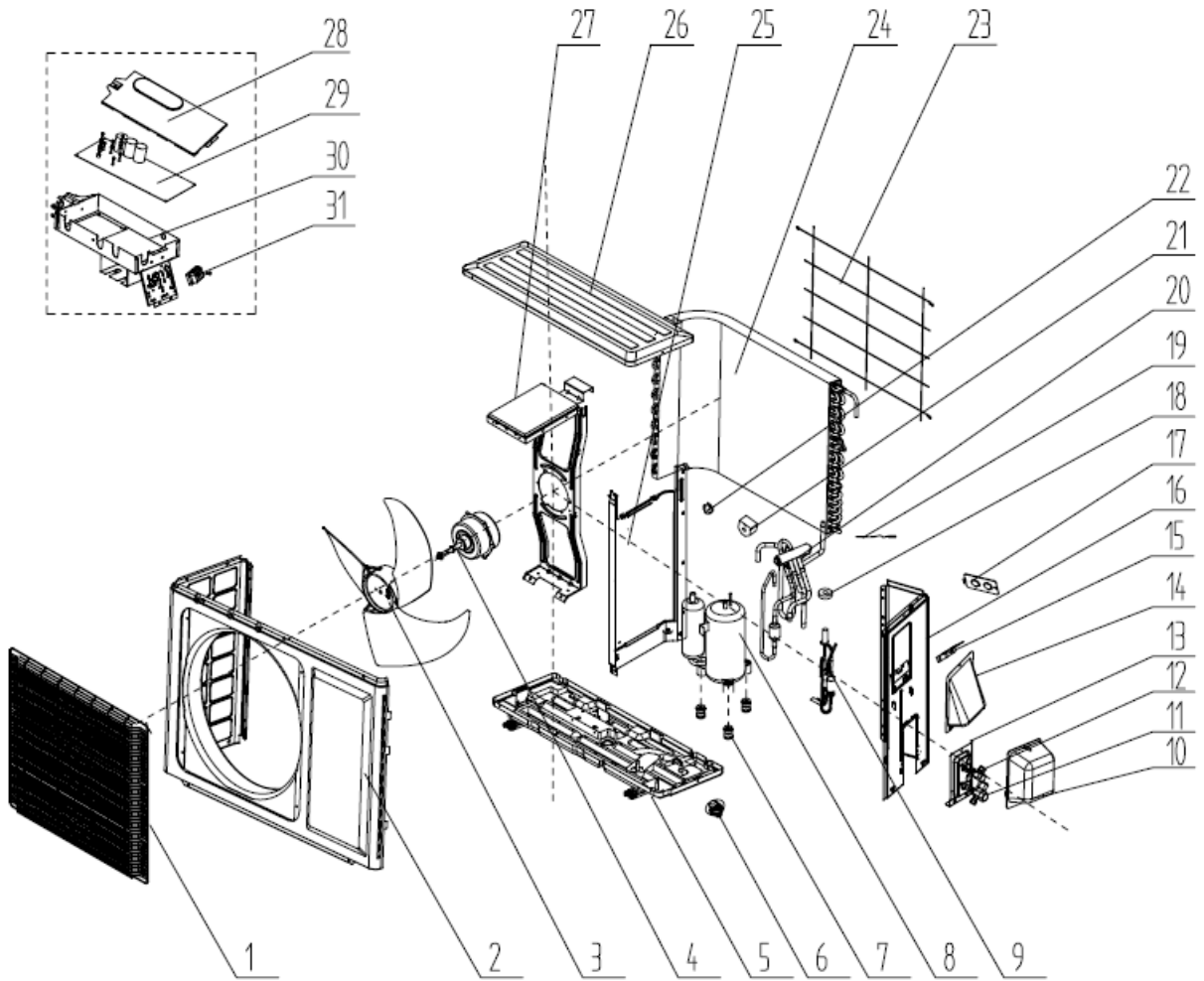


RIO09HP115V1AH
9,000 BTUH 115v Indoor Unit
Product Code: CB146N22901_K78059

NO.	Part Code	Part Description	Qty
1	1112208201	Filter Sub-Assy	2
2	20012688S	Front Panel	1
3	24252019	Screw Cover	1
4	63062017	Membrane	1
5	2001237501	Front Case Assy	1
6	10512119	Guide Louver	1
7	26112486	Helicoid Tongue	1
8	10512160	Air Louver	2
9	1054202001	Shaft of Guide Louver	2
10	0523204101	Drainage Pipe Sub-Assy	1
11	2220211904	Rear Case Assy	1
12	0125201801A	Wall Mounting Frame	1
13	1500200202	Motor Sub-Assy	1
14	26112191	Motor Support Plate	1
15	10352423	Cross Flow Fan	1
16	01002639	Evaporator Assy	1
17	05212423	Temp Sensor Sleeve	1
18	24212108	Evaporator Support	1
19	76512210	Fan Bearing	1
20	76712032	Bearing Holder	1
21	10542024	Axial Bush Sub-Assy	1
22	20402086	Electric Box Assy	1
23	20122109	Electric Box Cover Sub-Assy	1
24	01592074	Shield Cover	1
25	73012005	Crank	1
26	1521210701	Stepper Motor	1
27	22242083	Indicator Shield Cover	1
28	22242084	Indicator Light Cover	1
29	30568112	Display Board	1
30	20402092	Electric Box Sub-Assy	1
31	3014860101	Main Control Board	1
32	42011233	Terminal Board	1
33	305100621	Remote Controller (YB1F2F XFAN)	1
Not Shown	27210071	Remote Controller Holder/Cradle	1
34	390000453	Ambient Temperature Sensor	1
35	39000305	Indoor Coil Temperature Sensor	1
Not Shown	4202300101	Configuration Jumper Connector	1

RIO09HP115V1AO

9,000 BTUH 115v Outdoor Unit



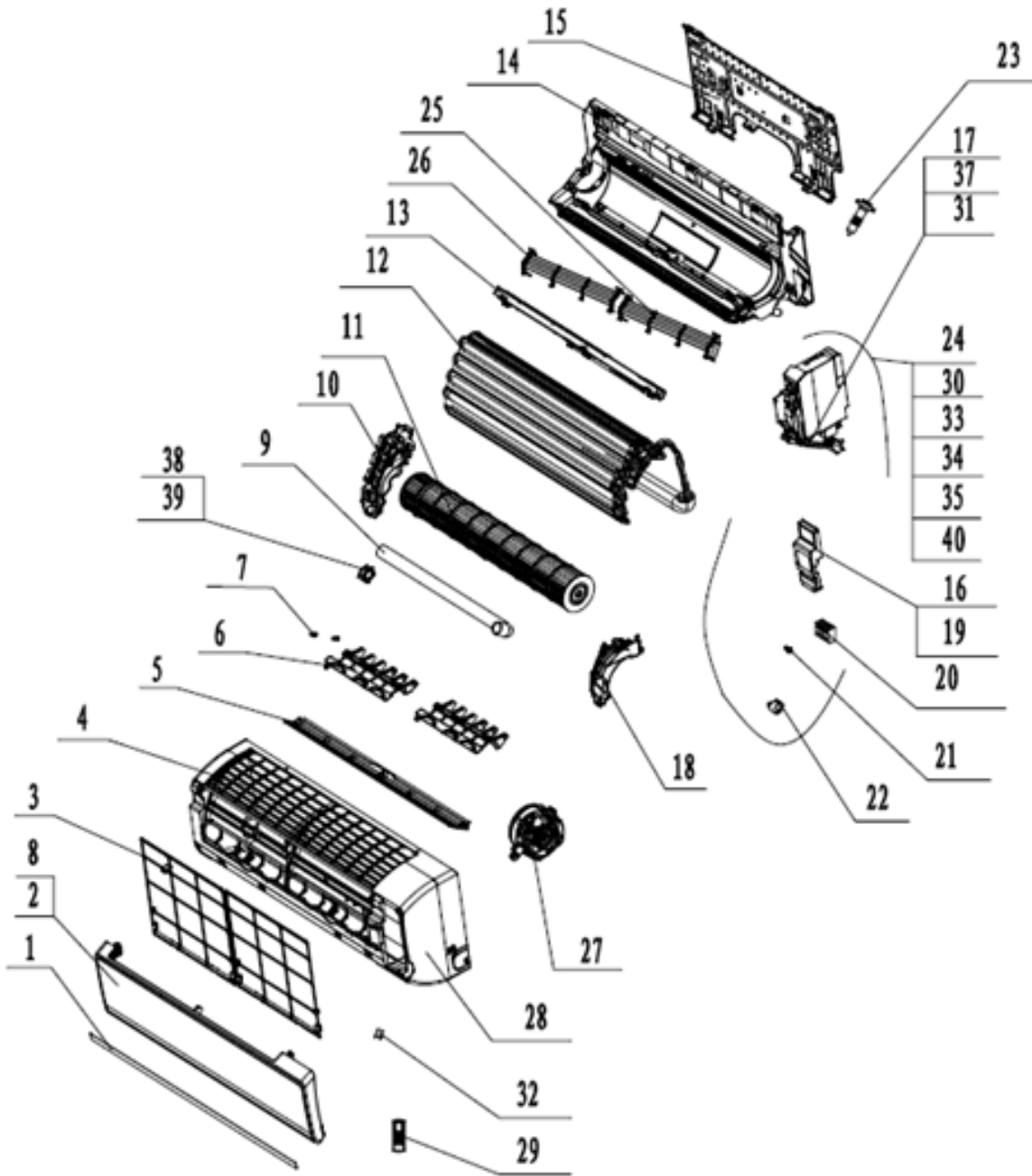
RIO09HP115V1AO
9,000 BTUH 115v Outdoor Unit
Product Code: CB146W0431_K78059

NO.	Part Code	Part Description	Qty
1	01473012	Front Grille	1
2	0143305801P	Cabinet	1
3	10333012	Axial Flow Fan	1
4	15013160	Fan Motor	1
5	0120388101P	Chassis Sub-Assy	1
6	06123401	Drain Connector	1
7	76710302	Compressor Grommets	3
8	00103862	Compressor and Fittings	1
9	07130369	Electronic Expansion Valve	1
10	2012300101	Valve Cover	1
11	07100005	Liquid Line Valve	1
12	07100003	Gas/Suction Valve	1
13	01713041	Valve Support	1
14	02123014P	Cable Cross Plate 2	1
15	02123013P	Cable Cross Plate 1	1
16	013030713	Right Side Plate Assy	1
17	01413069	Cover of Pass Wire	1
18	4300876706	Electronic Expansion Valve Solenoid Coil	1
19	39000310	Temperature Sensors Assy**	1
20	430004022	4-Way Valve Assy	1
21	4300040021	4-Way Valve Solenoid Coil	1
22	00183031	Compressor Overload Protector	1
Not Shown	00183032	Compressor Overload Protector	1
Not Shown	00180030	Compressor Overload Protector	1
23	01473057	Rear Grille	1
24	01163685	Condenser Coil Assy	1
25	01233198	Clapboard Sub-Assy	1
26	01253443	Top Cover Plate	1
27	0170300701	Motor Support Sub-Assy	1
28	0260309601	Electric Control Box Cover Sub-Assy	1
29	3014857101	Main Control Board	1
30	02613348	Electric Control Box Assy	1
31	42010313	Terminal Board	1

** Temperature Sensor Assembly contains Discharge, Condenser Coil, and Ambient sensors.

RIO09HP230V1AH

9,000 BTUH 208/230v Indoor Unit

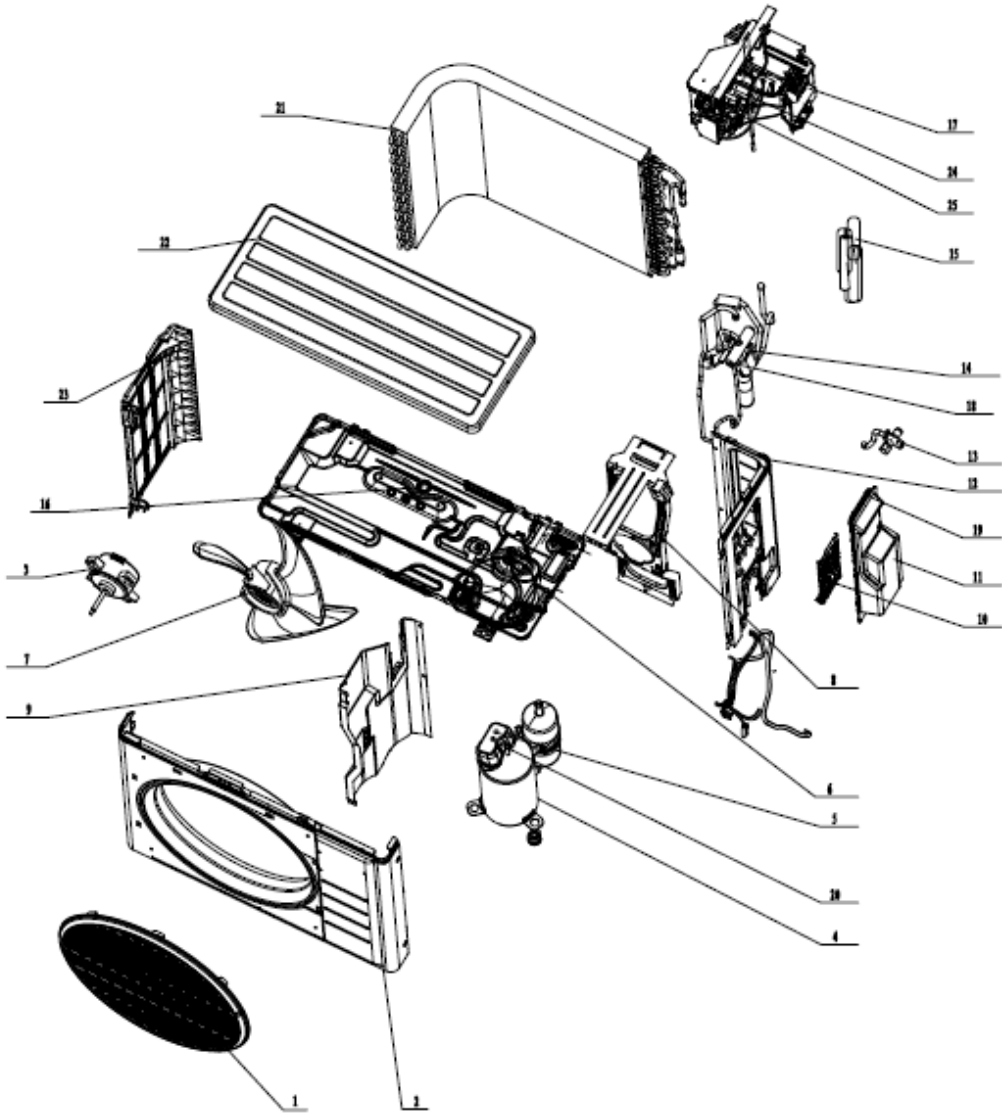


RIO09HP230V1AH
9,000 BTUH 208/230v Indoor Unit
Product Code: CB146N22400

NO.	Part Code	Part Description	Qty
1	NA	Decorative Strip	1
2	20012688S	Front Panel	1
3	1112208201	Filter Sub-Assy	2
4	2001232401	Front Case	1
5	10512119	Guide Louver	1
6	10512160	Air Louver	2
7	1054202001	Shaft of Guide Louver	2
8	NA	Front Panel Assy	1
9	0523204101	Drain Pipe Sub-Assy	1
10	24212108	Evaporator Coil Support	1
11	10352423	Cross Flow Fan	1
12	0100227005	Evaporator Coil Assy	1
13	26112486	Helicoid Tongue	1
14	2220211902	Rear Case Assy	1
15	0125201801A	Wall Mounting Frame	1
16	2012210601	Electric Control Box Cover	1
17	20302587	Electric Control Box Assy	1
18	26112191	Motor Support Plate	1
19	01402058	Electric Box Cover Sub-Assy	1
20	42011233	Terminal Board	1
21	73012005	Crank	1
22	1521210701	Stepper Motor	1
23	76712020	Drain Pipe Plug	1
24	2011208601	Electric Control Box	1
25	11002001	Rear Grille Sub-Assy 2	1
26	24212911	Rear Grille Sub-Assy	1
27	1501209301	Fan Motor	1
28	2001237501	Front Case Assy	1
29	305100621	Remote Controller (YB1F2F XFAN)	1
Not Shown	27210071	Remote Controller Holder/Cradle	1
31	22242084	Indicator Light Cover	1
32	24252019	Screw Cover	1
33	301484391	Main Control Board	1
35	390000453	Ambient Temperature Sensor	1
37	22242083	Indicator Shield Cover	1
38	76512011	Damping Washer Sub-Assy	1
39	10542024	Axial Bushing Sub-Assy	1
40	20302635	Electric Control Box Sub-Assy	1
Not Shown	39000305	Indoor Coil Temperature Sensor	1
Not Shown	30568010	Display Board	1

RIO09HP230V1AO

9,000 BTUH 208/230v Outdoor Unit



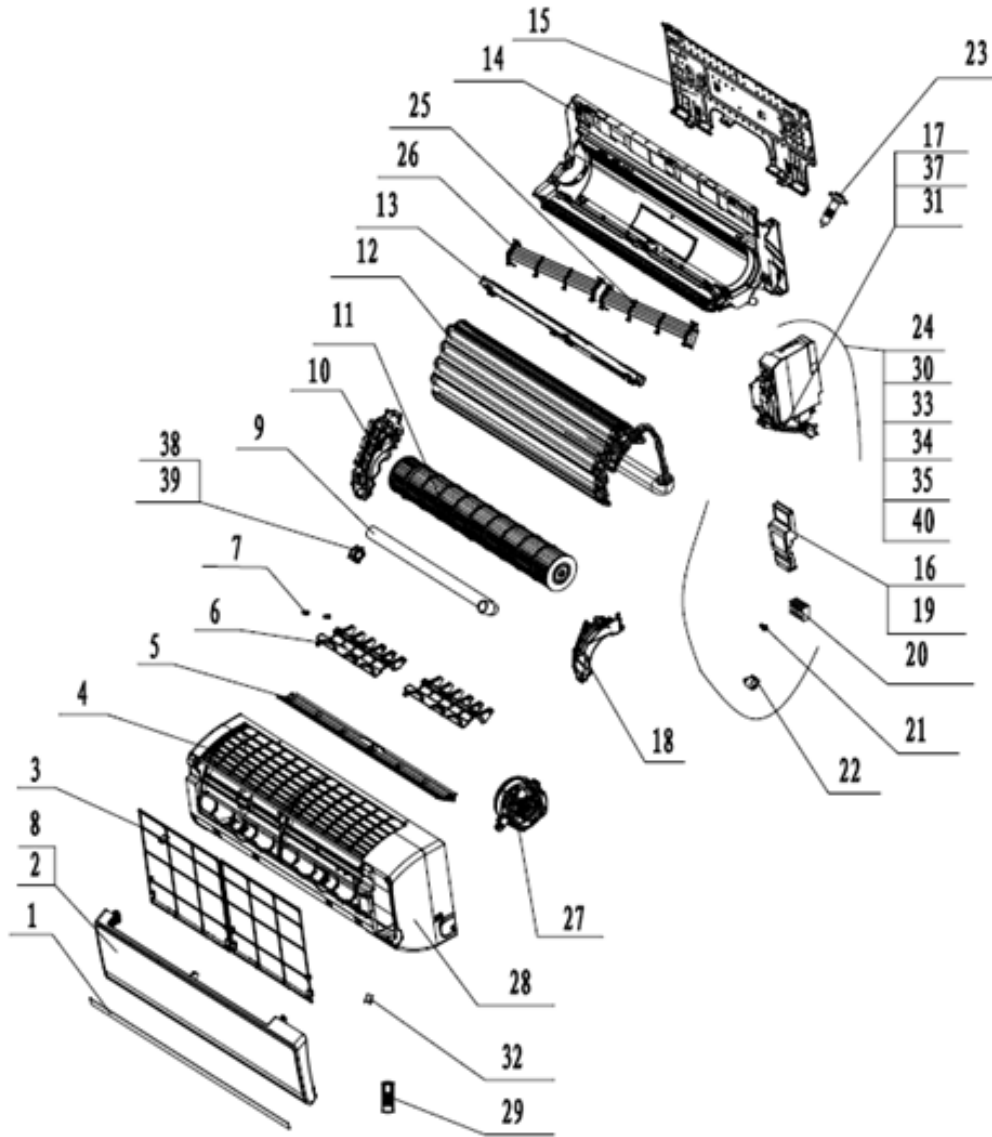
RIO09HP230V1AO
9,000 BTUH 208/230v Outdoor Unit
Product Code: CB146W18500_K78059

NO.	Part Code	Part Description	Qty
1	01473051	Front Grille	1
2	0143304401P	Cabinet	1
3	1501307301	Fan Motor	1
4	00103869G	Compressor and Fittings	1
Not Shown	76710287	Compressor Grommets	3
5	00183031	Compressor Overload Protector	1
Not Shown	00183032	Compressor Overload Protector	1
Not Shown	00180030	Compressor Overload Protector	1
Not Shown	076513004	Electrical Crankcase Heater	1
6	0280309801P	Chassis Sub-Assy	1
7	1033300901	Axial Flow Fan Sub-Assy	1
8	0170312201	Motor Support	1
9	01233088	Clapboard	1
Not Shown	07133078	Liquid Line Valve	1
Not Shown	07133077	Gas/Suction Valve	1
10	01713089	Valve Support	1
11	26233044	Handle	1
12	0130318001	Right Side Plate Sub-Assy	1
13	07133692	Cut off Valve Assy	1
14	430004022	4-Way Valve	1
15	03063983	Capillary Sub-Assy	1
16	06123024	Drain Joint	1
17	02613061	Electric Control Box Assy	1
18	4300040056	4-Way Valve Solenoid Coil	1
21	01113463	Condenser Coil Assy	1
22	01253071	Top Cover Sub-Assy	1
23	20053001	Left Side Plate	1
24	30148395	Main Control Board	1
Not Shown	390030805	Temperature Sensors Assy**	1
25	02613096	Electric Control Box Sub-Assy	1

** Temperature Sensor Assembly contains Discharge, Condenser Coil, and Ambient sensors.

RIO09HP230V1BH

9,000 BTUH 208/230v Indoor Unit

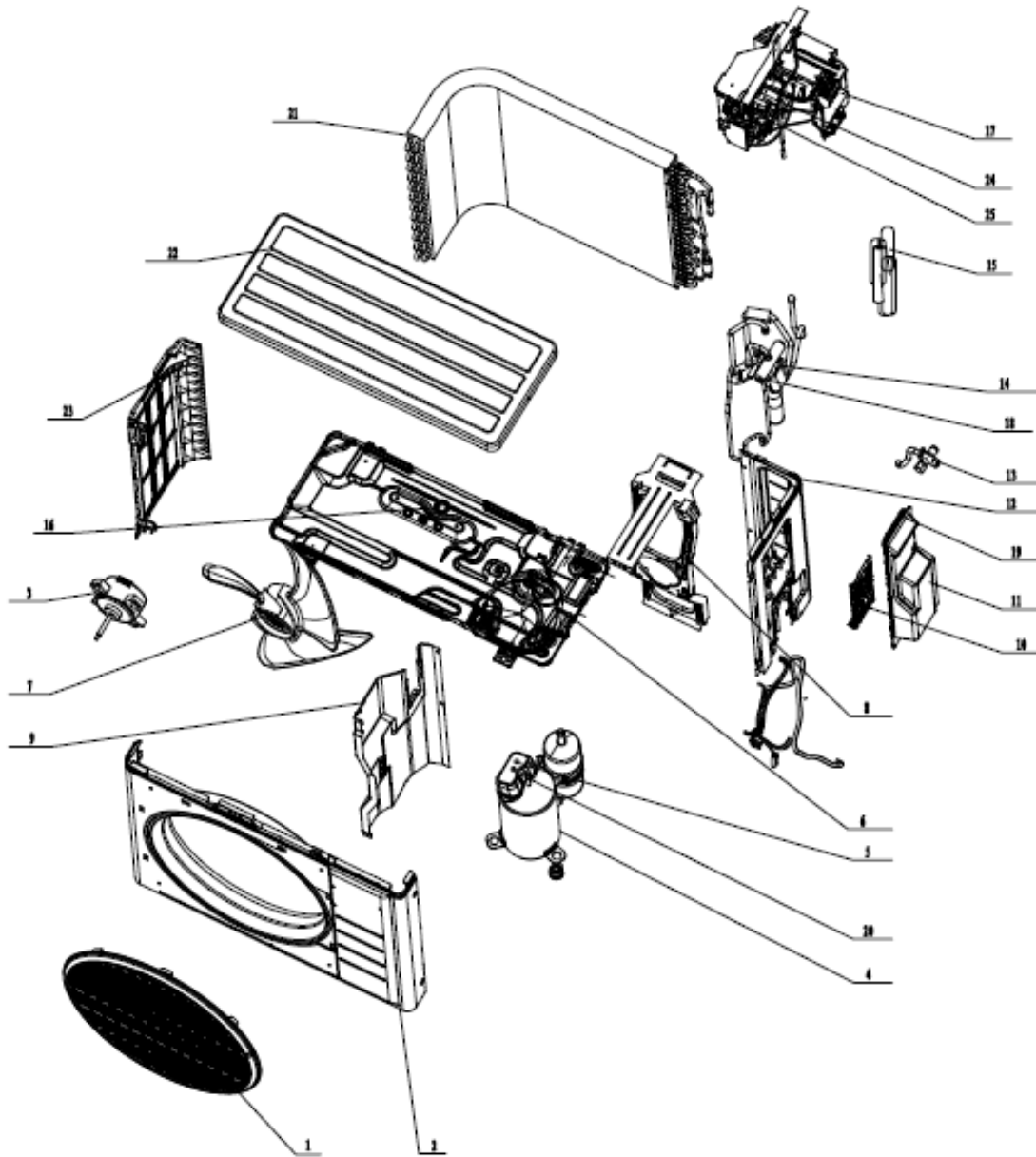


RIO09HP230V1BH
9,000 BTUH 208/230v Indoor Unit
Product Code: CB146N22901_K78059

NO.	Part Code	Part Description	Qty
1	NA	Decorative Strip	1
2	20012688S	Front Panel	1
3	1112208201	Filter Sub-Assy	2
4	2001232401	Front Case	1
5	10512119	Guide Louver	1
6	10512160	Air Louver	2
7	1054202001	Shaft of Guide Louver	2
8	NA	Front Panel Assy	1
9	0523204101	Drain Pipe Sub-Assy	1
10	24212108	Evaporator Coil Support	1
11	10352423	Cross Flow Fan	1
12	0100227005	Evaporator Coil Assy	1
13	26112486	Helicoid Tongue	1
14	2220211902	Rear Case Assy	1
15	0125201801A	Wall Mounting Frame	1
16	2012210601	Electric Control Box Cover	1
17	20302587	Electric Control Box Assy	1
18	26112191	Motor Support Plate	1
19	01402058	Electric Box Cover Sub-Assy	1
20	42011233	Terminal Board	1
21	73012005	Crank	1
22	1521210701	Stepper Motor	1
23	76712020	Drain Pipe Plug	1
24	2011208601	Electric Control Box	1
25	11002001	Rear Grille Sub-Assy 2	1
26	24212911	Rear Grille Sub-Assy	1
27	1501209301	Fan Motor	1
28	2001237501	Front Case Assy	1
29	305100621	Remote Controller (YB1F2F XFAN)	1
Not Shown	27210071	Remote Controller Holder/Cradle	1
31	22242084	Indicator Light Cover	1
32	24252019	Screw Cover	1
33	301484391	Main Control Board	1
35	390000453	Ambient Temperature Sensor	1
37	22242083	Indicator Shield Cover	1
38	76512011	Damping Washer Sub-Assy	1
39	10542024	Axial Bushing Sub-Assy	1
40	20302635	Electric Control Box Sub-Assy	1
Not Shown	39000305	Indoor Coil Temperature Sensor	1
Not Shown	30568010	Display Board	1

RIO09HP230V1BO

9,000 BTUH 230v Outdoor Unit



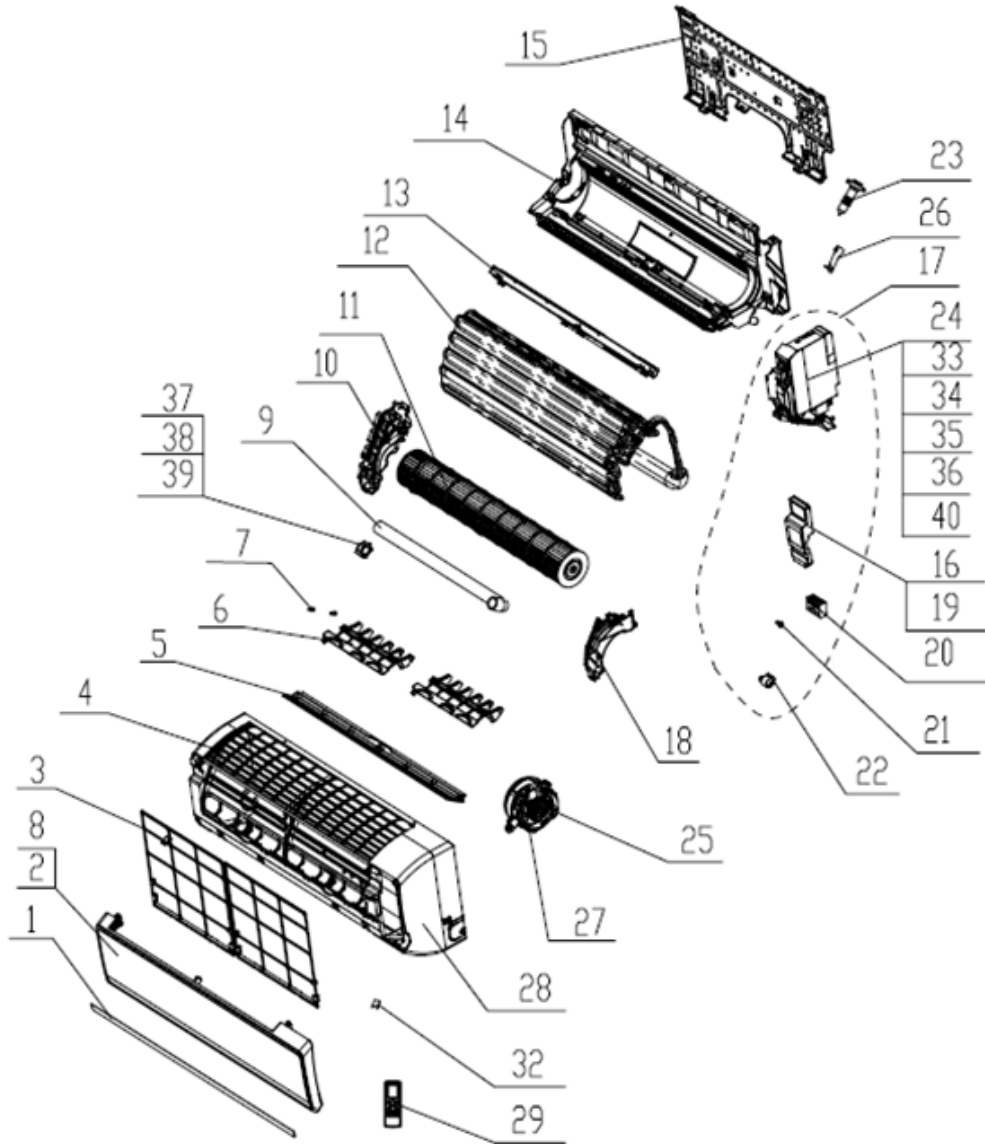
RIO09HP230V1BO
9,000 BTUH 230v Outdoor Unit
Product Code: CB146W18500_K78059

NO.	Part Code	Part Description	Qty
1	01473051	Front Grille	1
2	0143304401P	Cabinet	1
3	1501307301	Fan Motor	1
4	00103869G	Compressor and Fittings	1
Not Shown	76710287	Compressor Grommets	3
5	00183031	Compressor Overload Protector	1
Not Shown	00183032	Compressor Overload Protector	1
Not Shown	00180030	Compressor Overload Protector	1
Not Shown	076513004	Electrical Crankcase Heater	1
6	0280309801P	Chassis Sub-Assy	1
7	1033300901	Axial Flow Fan Sub-Assy	1
8	0170312201	Motor Support	1
9	01233088	Clapboard	1
Not Shown	07133078	Liquid Line Valve	1
Not Shown	07133077	Gas/Suction Valve	1
10	01713089	Valve Support	1
11	26233044	Handle	1
12	0130318001	Right Side Plate Sub-Assy	1
13	07133692	Cut off Valve Assy	1
14	430004022	4-Way Valve	1
15	03063983	Capillary Sub-Assy	1
16	06123024	Drain Joint	1
17	02613061	Electric Control Box Assy	1
18	4300040056	4-Way Valve Solenoid Coil	1
21	01113463	Condenser Coil Assy	1
22	01253071	Top Cover Sub-Assy	1
23	20053001	Left Side Plate	1
24	30148395	Main Control Board	1
Not Shown	390030805	Temperature Sensors Assy**	1
25	02613096	Electric Control Box Sub-Assy	1

** Temperature Sensor Assembly contains Discharge, Condenser Coil, and Ambient sensors.

RIO12HP115V1AH

12,000 BTUH 115v Indoor Unit

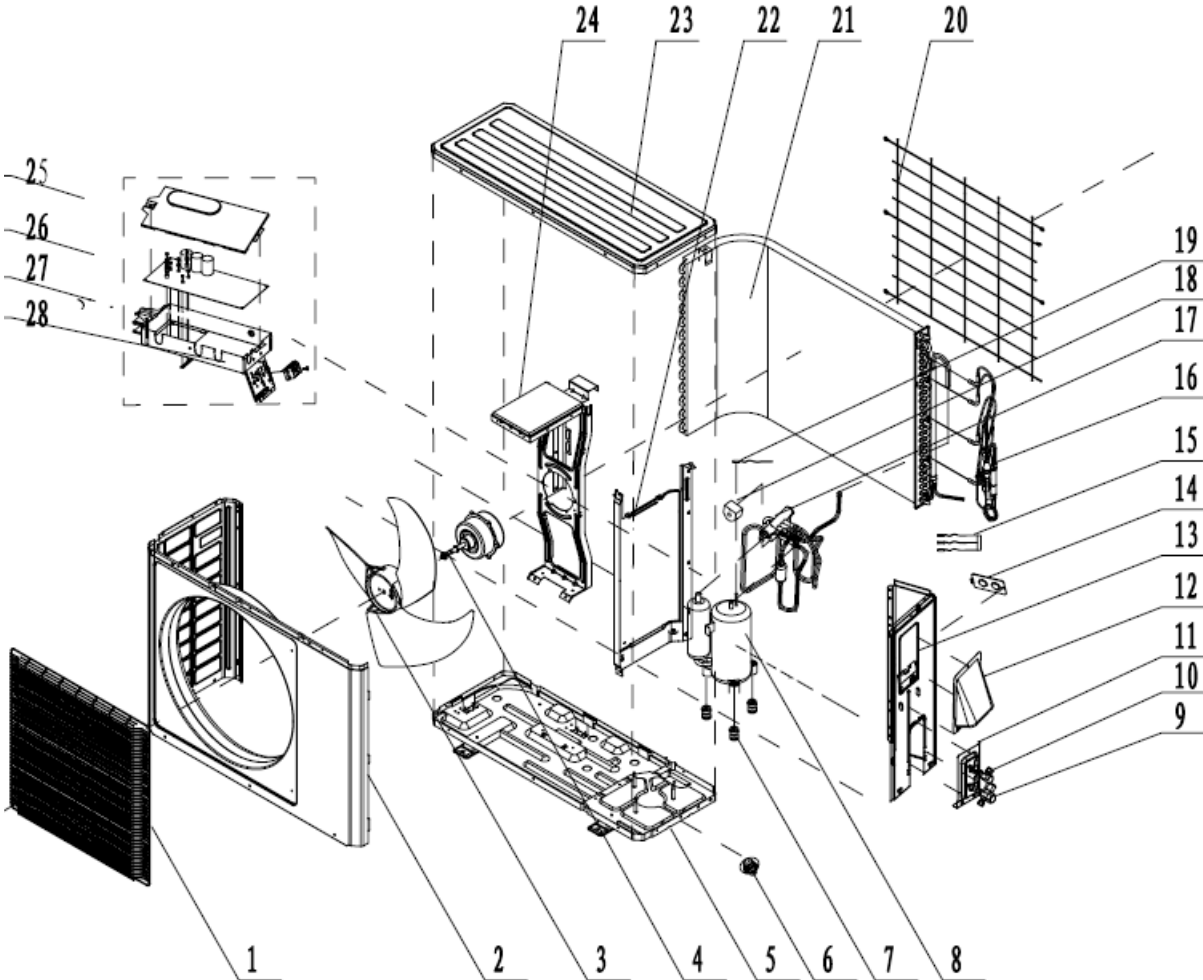


RIO12HP115V1AH
12,000 BTUH 115v Indoor Unit
Product Code: CB146N12201_K78059

NO.	Part Code	Part Description	Qty
1	NA	Decorative Strip	1
2	20012688S	Front Panel	1
3	1112208201	Filter Sub-Assy	2
4	2001232401	Front Case	1
5	10512119	Guide Louver	1
6	10512160	Air Louver	2
7	1054202001	Shaft of Guide Louver	2
8	NA	Front Panel Assy	1
9	0523204101	Drainage Pipe Sub-Assy	1
10	24212108	Evaporator Coil Support	1
11	10352423	Cross Flow Fan	1
12	01002429	Evaporator Coil Assy	1
13	26112486	Helicoid Tongue	1
14	2220211904	Rear Case Assy	1
15	0125201801A	Wall Mounting Frame	1
16	20122106	Electric Control Box Cover	1
17	20402087	Electric Control Box Assy	1
18	26112191	Motor Support Plate	1
19	20122109	Electric Box Cover Sub-Assy	1
20	42011233	Terminal Board	1
21	73012005	Crank	1
22	1521210701	Stepper Motor	1
23	76712020	Drain Pipe Plug	1
24	20112086	Electric Control Box	1
25	1500200202	Motor Sub-Assy	1
26	NA	Baffle Plate	1
27	1501209302	Fan Motor	1
28	2001237501	Front Case Assy	1
29	305100621	Remote Controller (YB1F2F XFAN)	1
Not Shown	27210071	Remote Controller Holder/Cradle	1
32	24252019	Screw Cover	1
34	3301000214	Capacitor CBB61	1
35	390000453	Ambient Temperature Sensor	1
36	44020386	Relay	1
37	76512210	Fan Bearing	1
38	76512011	Damping Washer Sub-Assy	1
39	10542024	Axial Bushing Sub-Assy	1
40	20402094	Electric Box Sub-Assy	1
Not Shown	30568112	Display Board	1
Not Shown	39000305	Indoor Coil Temperature Sensor	1

RIO12HP115V1AO

12,000 BTUH 115v Outdoor Unit



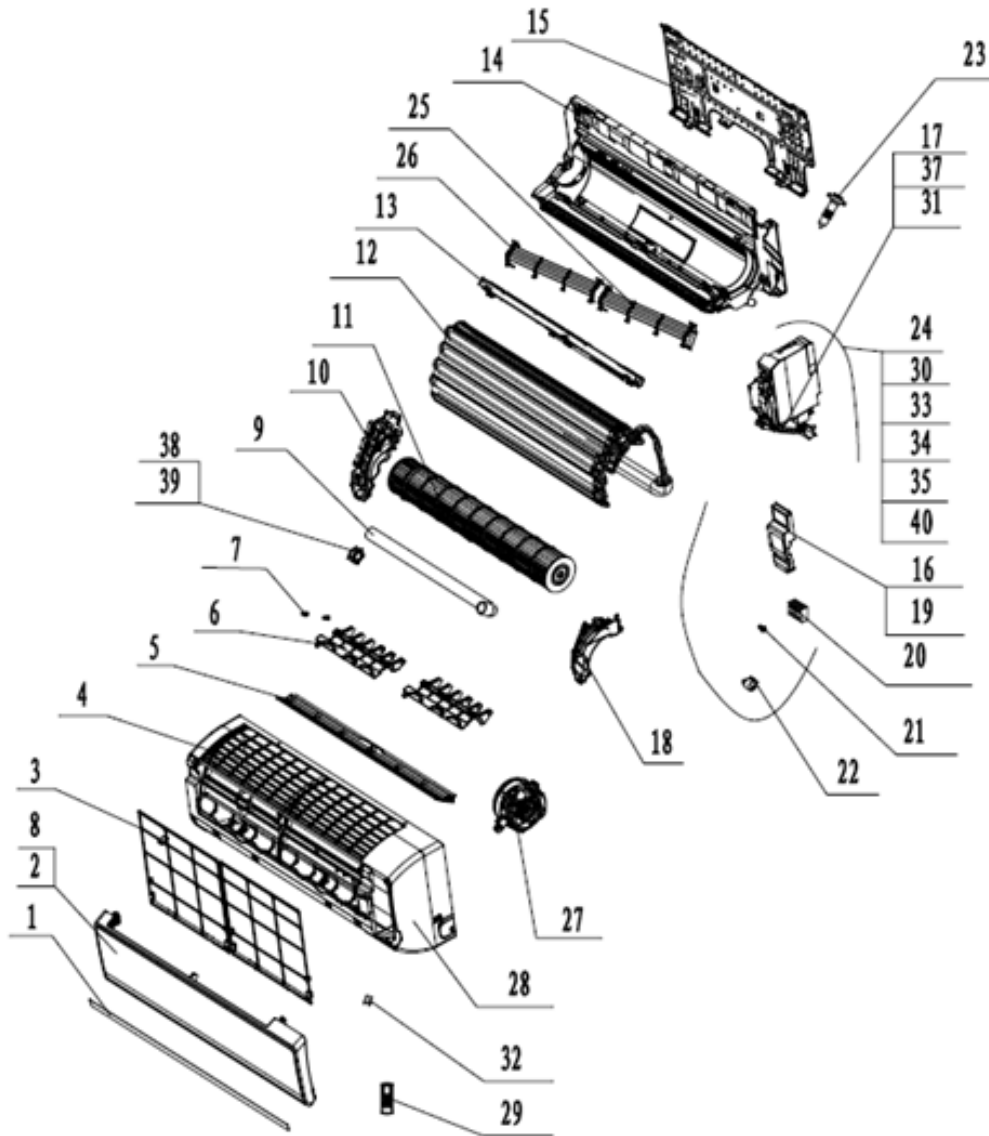
RIO12HP115V1AO
12,000 BTUH 115v Outdoor Unit
Product Code: CB146W0451_K78059

NO.	Part Code	Part Description	Qty
1	01473012	Front Grille	1
2	0143305801P	Cabinet	1
3	10333012	Axial Flow Fan	1
4	15013160	Fan Motor	1
5	0120388101P	Chassis Sub-Assy	1
6	06123401	Drain Connector	1
7	76710302	Compressor Grommets	3
8	00103862	Compressor and Fittings	1
Not Shown	00183031	Compressor Overload Protector	1
Not Shown	00183032	Compressor Overload Protector	1
Not Shown	00180030	Compressor Overload Protector	1
9	07100005	Liquid Line Valve	1
10	07100003	Gas/Suction Valve	1
11	01713041	Valve Support	1
12	02123014P	Cable Cross Plate 2	1
13	013030713	Right Side Plate Assy	1
14	01413069	Cover of Pass Wire	1
15	39000310	Temperature Sensor**	1
16	03143664	Capillary Tube	1
17	430004022	4-Way Valve	1
18	4300040021	4-Way Valve Solenoid Coil	1
20	01473057	Rear Grille	1
21	01163685	Condenser Coil Assy	1
22	01233198	Clapboard Sub-Assy	1
23	01253443	Top Cover Plate	1
24	0170500101	Motor Support	1
25	0260309601	Electric Box Cover Sub-Assy	1
26	3013810801	Main Control Board	1
27	02613287	Electric Control Box Assy	1
28	42010313	Terminal Board	1
Not Shown	4300876706	Electronic Expansion Valve Solenoid Coil	1
Not Shown	07130369	Electronic Expansion Valve	1

** Temperature Sensor Assembly contains Discharge, Condenser Coil, and Ambient sensors.

RIO12HP230V1AH

12,000 BTUH 208/230v Indoor Unit

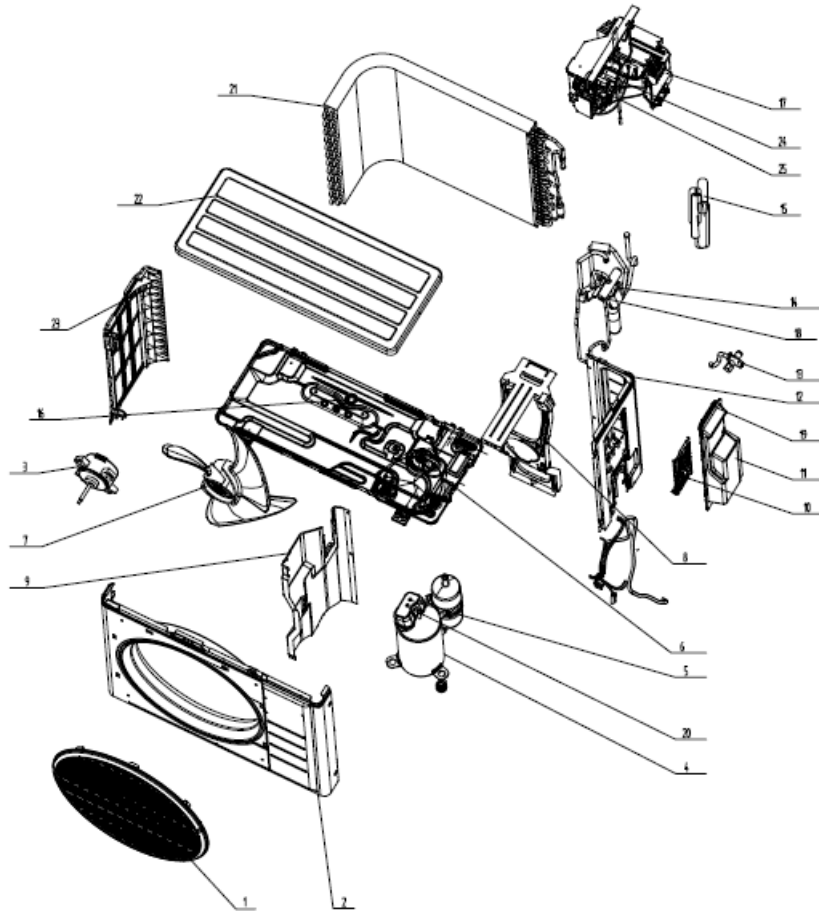


RIO12HP230V1AH
12,000 BTUH 208/230v Indoor Unit
Product Code: CB146N22800

NO.	Part Code	Part Description	Qty
1	NA	Decorative Strip	1
2	20012688S	Front Panel	1
3	1112208201	Filter Sub-Assy	2
4	2001232401	Front Case	1
5	10512119	Guide Louver	1
6	10512160	Air Louver	2
7	1054202001	Shaft of Guide Louver	2
8	NA	Front Panel Assy	1
9	0523204101	Drain Pipe Sub-Assy	1
10	24212108	Evaporator Coil Support	1
11	10352423	Cross Flow Fan	1
12	0100274504	Evaporator Coil Assy	1
13	26112486	Helicoid Tongue	1
14	2220211902	Rear Case Assy	1
15	0125201801A	Wall Mounting Frame	1
16	2012210601	Electric Control Box Cover	1
17	20302589	Electric Control Box Assy	1
18	26112191	Motor Support Plate	1
19	01402058	Electric Box Cover Sub-Assy	1
20	42011233	Terminal Board	1
21	73012005	Crank	1
22	1521210701	Stepper Motor	1
23	76712020	Drain Pipe Plug	1
24	2011208601	Electric Control Box	1
25	11002001	Rear Grille Sub-Assy 2	1
26	24212911	Rear Grille Sub-Assy	1
27	1501209301	Fan Motor	1
28	2001237501	Front Case Assy	1
29	305100621	Remote Controller (YB1F2F XFAN)	1
Not Shown	27210071	Remote Controller Holder/Cradle	1
31	22242084	Indicator Light Cover	1
32	24252019	Screw Cover	1
33	301484411	Main Control Board	1
34	3301000213	Capacitor CBB61	1
35	390000453	Ambient Temperature Sensor	1
37	22242083	Indicator Shield Cover	1
38	76512011	Damping Washer Sub-Assy	1
39	10542024	Axial Bushing Sub-Assy	1
40	20302637	Electric Box Sub-Assy	1
Not Shown	39000305	Indoor Coil Temperature Sensor	1
Not Shown	30568010	Display Board	1

RIO12HP230V1AO

12,000 BTUH 208/230v Outdoor Unit



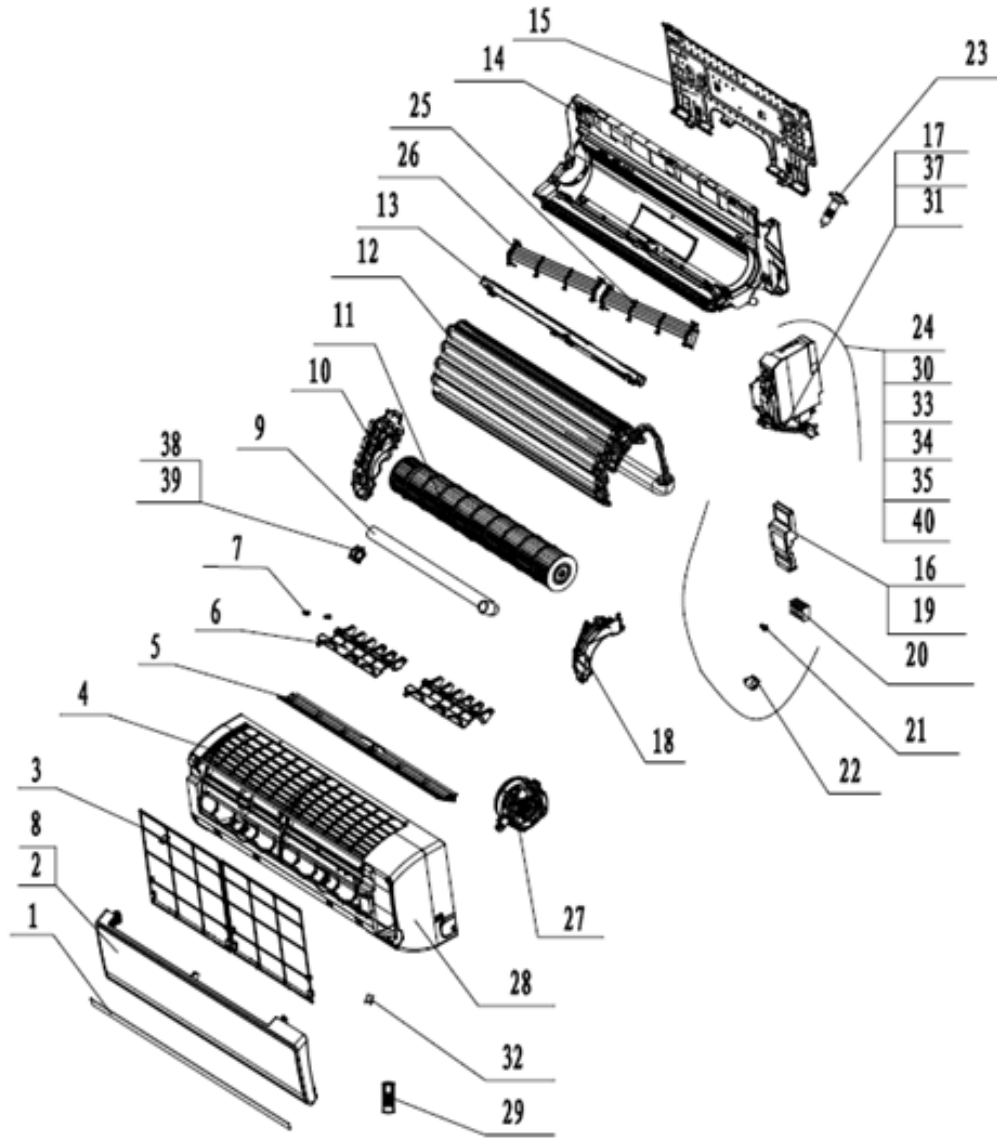
RIO12HP230V1AO
12,000 BTUH 208/230v Outdoor Unit
Product Code: CB146W18700_K78059

NO.	Part Code	Part Description	Qty
1	01473051	Front Grille	1
2	01433061	Cabinet Sub-Assy	1
3	1501307301	Fan Motor	1
4	00103869G	Compressor and Fittings	1
Not Shown	76710287	Compressor Grommets	3
5	00183031	Compressor Overload Protector	1
Not Shown	00183032	Compressor Overload Protector	1
Not Shown	00180030	Compressor Overload Protector	1
Not Shown	76513004	Electrical Crankcase Heater	1
6	0280309801P	Chassis Sub-Assy	1
7	1033300901	Axial Flow Fan Sub-Assy	1
8	01703122	Motor Support	1
9	01233088	Clapboard	1
Not Shown	07133078	Liquid Line Valve	1
Not Shown	07133077	Gas/Suction Valve	1
10	01713089	Valve Support	1
11	26233044	Handle	1
12	0130318001	Right Side Plate Sub-Assy	1
13	07133689	Cut off Valve Assy	1
14	430004022	4-Way Valve	1
15	03063984	Capillary Sub-Assy	1
16	06123024	Drain Joint	1
17	02613063	Electric Control Box Assy	1
18	4300040056	4-Way Valve Solenoid Coil	1
21	01113501	Condenser Coil Assy	1
22	01253071	Top Cover Sub-Assy	1
23	20053001	Left Side Plate	1
24	30148397	Main Control Board	1
Not Shown	390030805	Temperature Sensors Assy**	1
Not Shown	30033081	Filter Board	1
No Shown	43130184	Reactor	1
25	02613098	Electric Control Box Sub-Assy	1

** Temperature Sensor Assembly contains Discharge, Condenser Coil, and Ambient sensors.

RIO12HP230V1BH

12,000 BTUH 208/230v Indoor Unit

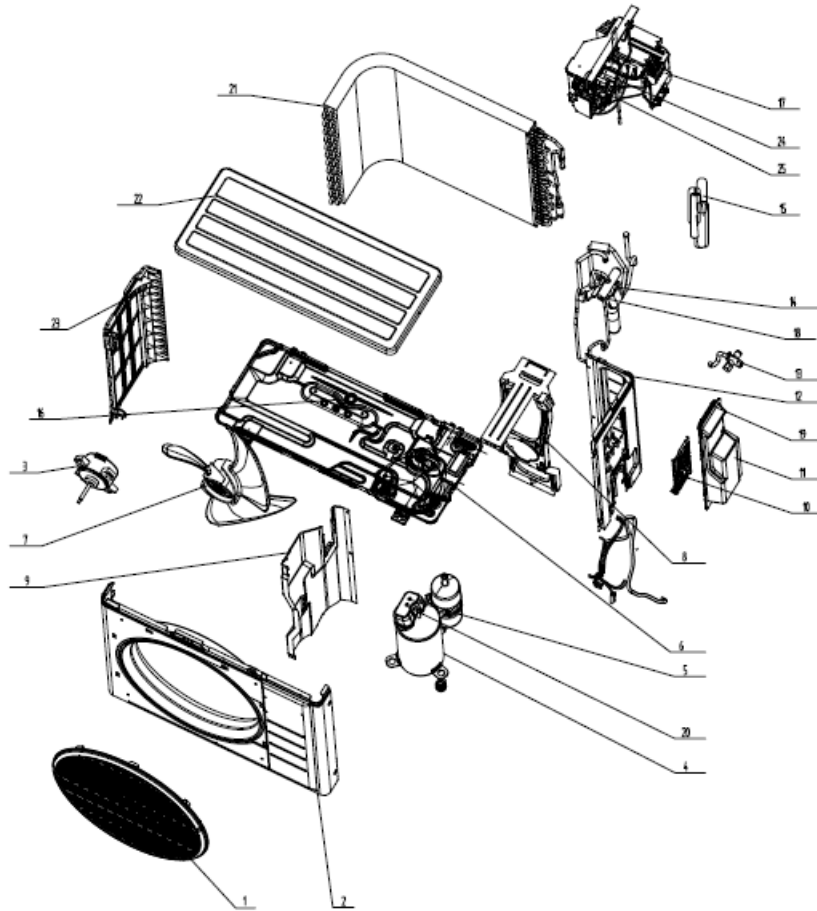


RIO12HP230V1BH
12,000 BTUH 208/230v Indoor Unit
Product Code: CB146N22800_K78059

NO.	Part Code	Part Description	Qty
1	NA	Decorative Strip	1
2	20012688S	Front Panel	1
3	1112208201	Filter Sub-Assy	2
4	2001232401	Front Case	1
5	10512119	Guide Louver	1
6	10512160	Air Louver	2
7	1054202001	Shaft of Guide Louver	2
8	NA	Front Panel Assy	1
9	0523204101	Drain Pipe Sub-Assy	1
10	24212108	Evaporator Coil Support	1
11	10352423	Cross Flow Fan	1
12	0100274504	Evaporator Coil Assy	1
13	26112486	Helicoid Tongue	1
14	2220211902	Rear Case Assy	1
15	0125201801A	Wall Mounting Frame	1
16	2012210601	Electric Control Box Cover	1
17	20302589	Electric Control Box Assy	1
18	26112191	Motor Support Plate	1
19	01402058	Electric Box Cover Sub-Assy	1
20	42011233	Terminal Board	1
21	73012005	Crank	1
22	1521210701	Stepper Motor	1
23	76712020	Drain Pipe Plug	1
24	2011208601	Electric Control Box	1
25	11002001	Rear Grille Sub-Assy 2	1
26	24212911	Rear Grille Sub-Assy	1
27	1501209301	Fan Motor	1
28	2001237501	Front Case Assy	1
29	305100621	Remote Controller (YB1F2F XFAN)	1
Not Shown	27210071	Remote Controller Holder/Cradle	1
30	NA	Configuration Jumper Connector	0
31	22242084	Indicator Light Cover	1
32	24252019	Screw Cover	1
33	301484411	Main Control Board	1
34	3301000213	Capacitor CBB61	1
35	390000453	Ambient Temperature Sensor	1
37	22242083	Indicator Shield Cover	1
38	76512011	Damping Washer Sub-Assy	1
39	10542024	Axial Bushing Sub-Assy	1
40	20302637	Electric Box Sub-Assy	1
Not Shown	39000305	Indoor Coil Temperature Sensor	1
Not Shown	30568010	Display Board	1

RIO12HP230V1BO

12,000 BTUH 208/230v Outdoor Unit



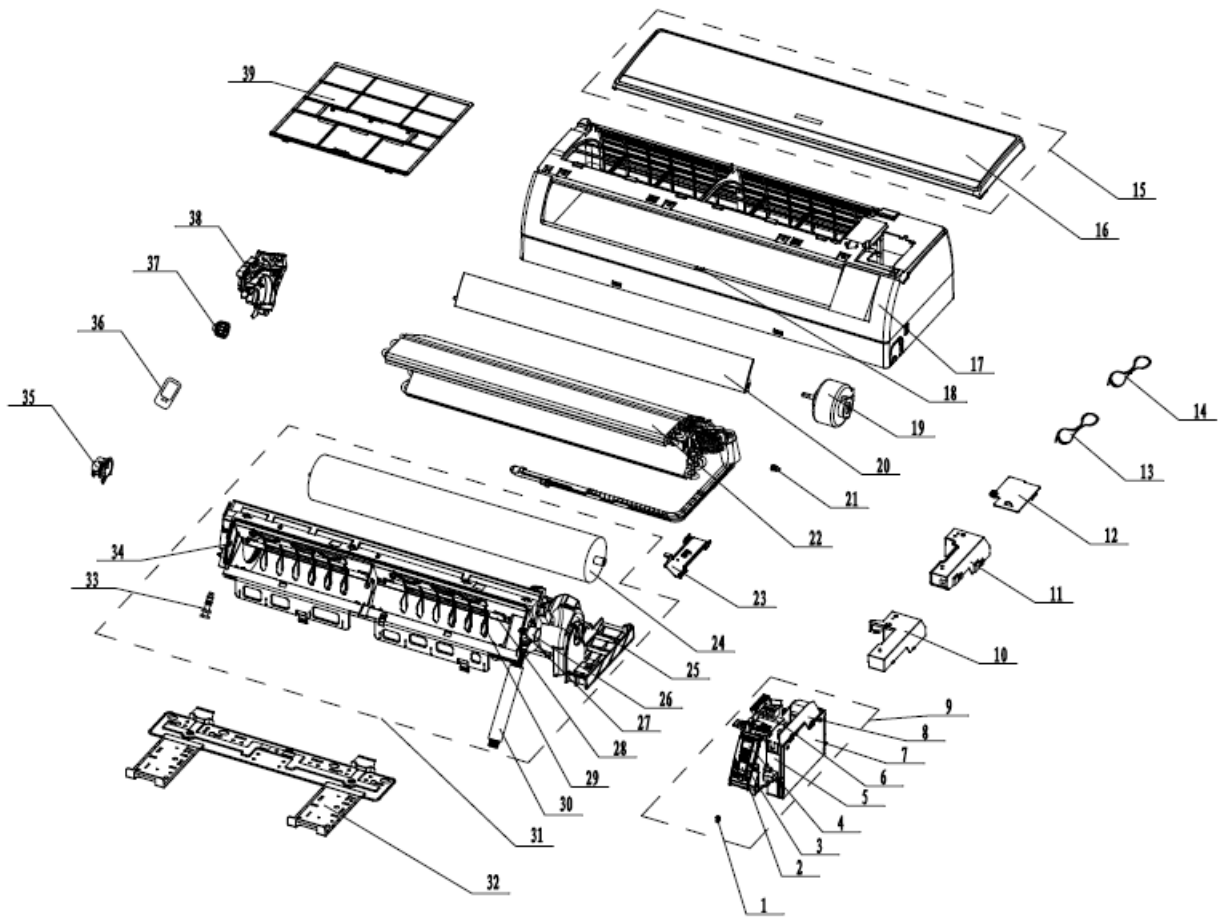
RIO12HP230V1BO
12,000 BTUH 208/230v Outdoor Unit
Product Code: CB146W18700_K78059

NO.	Part Code	Part Description	Qty
1	01473051	Front Grille	1
2	01433061	Cabinet Sub-Assy	1
3	1501307301	Fan Motor	1
4	00103869G	Compressor and Fittings	1
Not Shown	76710287	Compressor Grommets	3
5	00183031	Compressor Overload Protector	1
Not Shown	00183032	Compressor Overload Protector	1
Not Shown	00180030	Compressor Overload Protector	1
Not Shown	76513004	Electrical Crankcase Heater	1
6	0280309801P	Chassis Sub-Assy	1
7	1033300901	Axial Flow Fan Sub-Assy	1
8	01703122	Motor Support	1
9	01233088	Clapboard	1
Not Shown	07133078	Liquid Line Valve	1
Not Shown	07133077	Gas/Suction Valve	1
10	01713089	Valve Support	1
11	26233044	Handle	1
12	0130318001	Right Side Plate Sub-Assy	1
13	07133689	Cut off Valve Assy	1
14	430004022	4-Way Valve	1
15	03063984	Capillary Sub-Assy	1
16	06123024	Drain Joint	1
17	02613063	Electric Control Box Assy	1
18	4300040056	4-Way Valve Solenoid Coil	1
21	01113501	Condenser Coil Assy	1
22	01253071	Top Cover Sub-Assy	1
23	20053001	Left Side Plate	1
24	30148397	Main Control Board	1
Not Shown	390030805	Temperature Sensors Assy**	1
Not Shown	30033081	Filter Board	1
No Shown	43130184	Reactor	1
25	02613098	Electric Control Box Sub-Assy	1

** Temperature Sensor Assembly contains Discharge, Condenser Coil, and Ambient sensors.

RIO18HP230V1AH

18,000 BTUH 208/230v Indoor Unit

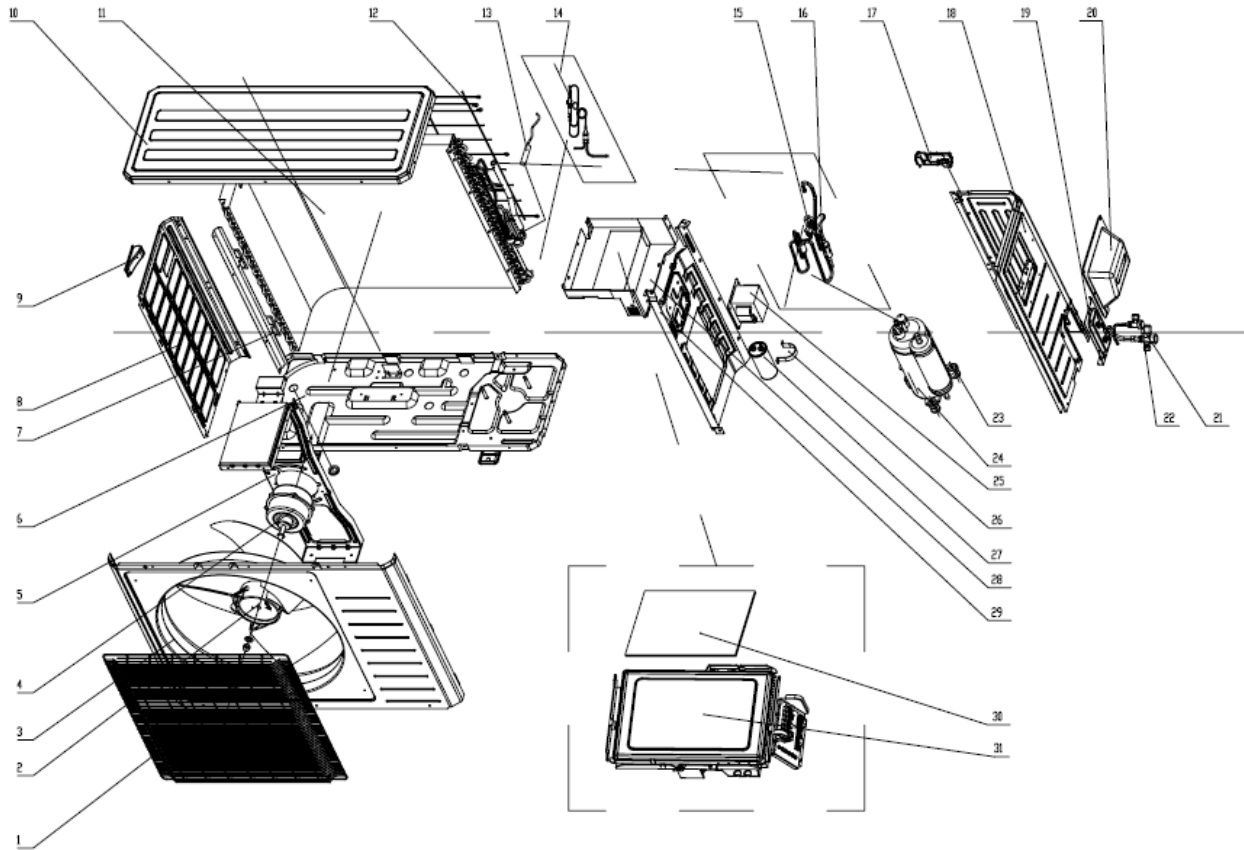


RIO18HP230V1AH
18,000 BTUH 208/230v Indoor Unit
Product Code: CB146N22200_K78059

NO.	Part Code	Part Description	Qty
1	4202300118	Configuration Jumper Connector	1
2	22242083	Indicator Shield Cover	1
3	22242084	Indicator Light Cover	1
4	30568112	Display Board	1
5	2011210302	Electric Control Box	1
6	42011233	Terminal Board	1
7	01592087	Shield Cover of Electric Box	1
8	30138509	Main Control Board	1
9	20102000493	Electric Control Box Assy	1
10	2012212302	Electric Control Box Cover	1
11	01592088	Shield Cover of Electric Box Cover	1
12	2012214209	Electric Box Cover	1
15	none	Front Panel Assy	0
16	20012676S	Front Panel B1	1
17	20012497	Front Case Assy	1
18	242520041	Screw Cover	1
19	1501214601	Fan Motor	1
20	10512140	Guide Louver	1
21	10542036	Axial Bushing	1
22	01002000038	Evaporator Coil Assy	1
23	26112164	Connecting Pipe Clamp	1
24	10352036	Cross Flow Fan	1
25	26112231	Motor Support Plate	1
26	15012086	Stepper Motor	1
27	10582070	Crank	1
28	26112232	Helicoid Tongue	1
29	10512160	Air Louver	2
30	0523001407	Drain Hose	1
31	22202154	Rear Case Assy	1
32	01252484	Wall Mounting Frame	1
33	76712012	Rubber Drain Plug	1
34	10512037	Left Axial Bushing	1
35	26152022	Bearing Ring	1
36	305100621	Remote Controller (YB1F2F XFAN)	1
Not Shown	27210071	Remote Controller Holder/Cradle	1
37	7651205102	Bearing O-Gasket sub-Assy	1
38	24212119	Evaporator Coil Support	1
39	11122104	Air Filter Sub-Assy	2
Not Shown	390000453	Ambient Temperature Sensor	1
Not Shown	390000632	Indoor Coil Temperature Sensor	1

RIO18HP230V1AO

18,000 BTUH 208/230v Outdoor Unit



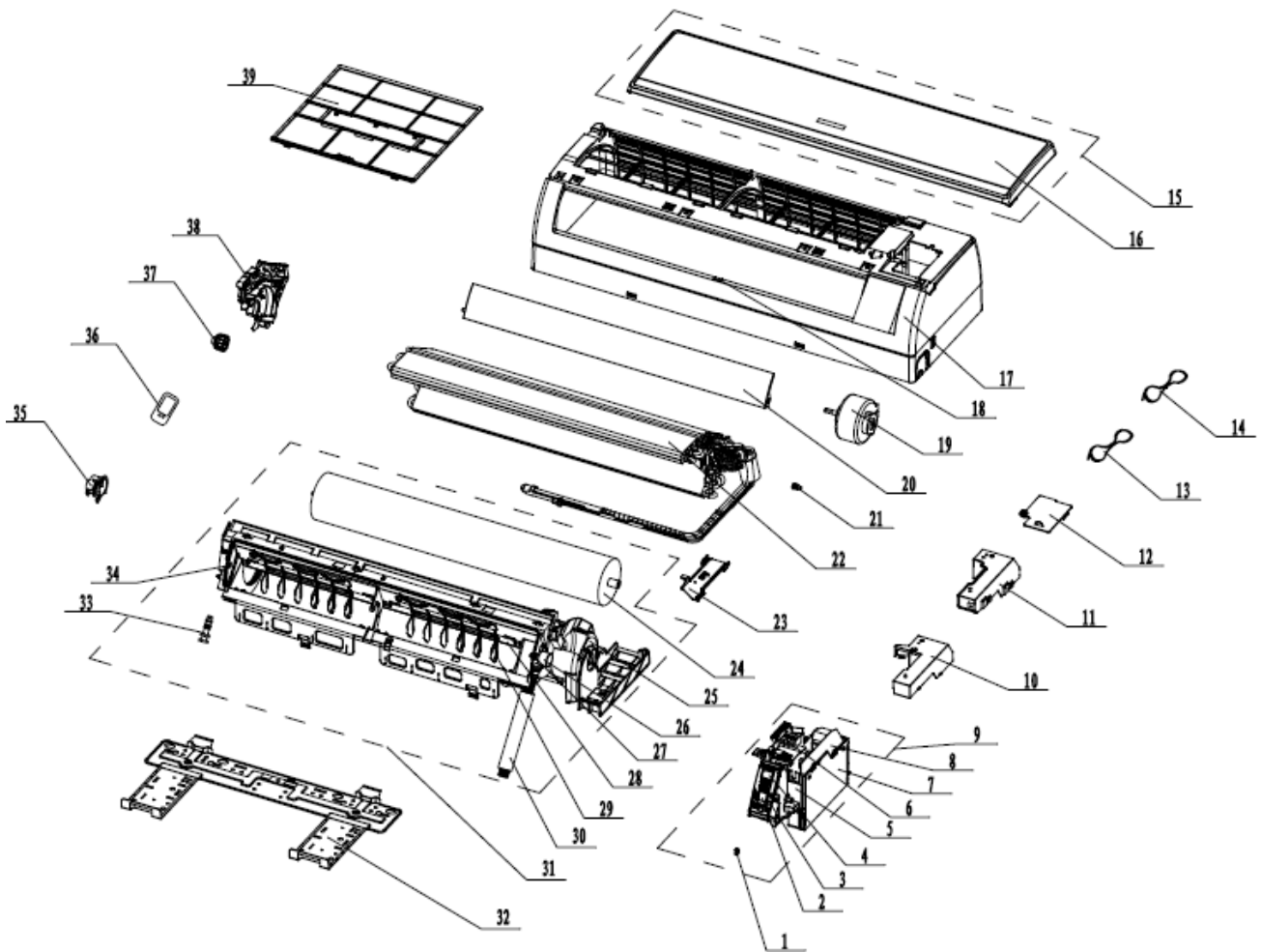
RIO18HP230V1AO
18,000 BTUH 208/230v Outdoor Unit
Product Code: CB146W17300_K78059

NO.	Part Code	Part Description	Qty
1	01473049	Front Grille	1
2	10335008	Axial Flow Fan	1
3	01433069	Cabinet Assy	1
4	1501506302	Fan Motor	1
5	01705020	Motor Support Sub-Assy	1
6	02803066P	Chassis Sub-Assy	1
7	01795010	Supporting Board(Condenser)	1
8	01305093P	Left Side Plate	1
9	26233053	Handle	1
Not Shown	02113032P	Handle Assy	1
10	01255005P	Top Cover	1
11	01163465	Condenser Coil Assy	1
12	01473043	Rear Grille	1
13	3900030901	Temperature Sensors**	1
14	03063947	Capillary Sub-Assy	1
Not Shown	4300040045	4-Way Valve Solenoid Coil	1
16	430004032	4-Way Valve	1
17	26115004	Wiring Clamp	1
18	0130509403P	Right Side Plate	1
Not Shown	07130239	Liquid Line Valve	1
Not Shown	071302392	Gas/Suction Valve	1
19	01715010P	Valve Support Assy	1
20	02113109	Handle Assy	1
21	07130239	Cut off Valve	1
22	07133060	Cut off Valve Sub-Assy	1
23	76715021	Compressor Grommets	3
24	00205262	Compressor and fittings	1
Not Shown	183043	Compressor Overload Protector(External)	1
25	43130021	Reactor	1
26	01413098	Capacitor Clamp Sub-Assy	1
27	33000065	Capacitor CBB65	1
Not Shown	33010010	Capacitor CBB61	1
28	01413148	Electric Control Box	1
29	01232902	Clapboard Sub-Assy	1
30	20113003	Insulated Plate of Electric Box Cover	1
31	02613035	Electric Control Box Assy	1
Not Shown	301483641	Main Control Board	1

** Temperature Sensor Assembly contains Discharge, Condenser Coil, and Ambient sensors.

RIO18HP230V1BH

18,000 BTUH 208/230v Indoor Unit

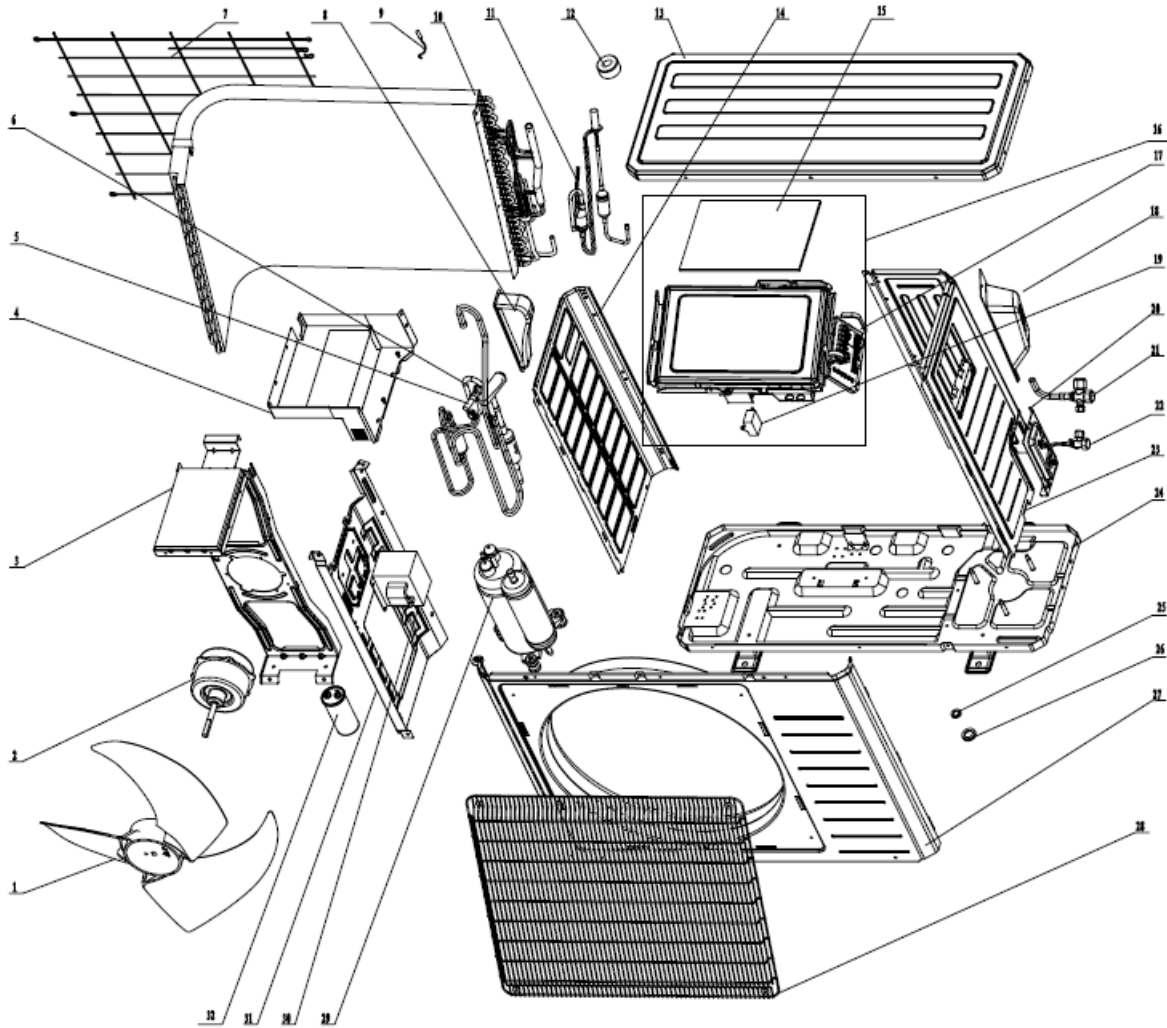


RIO18HP230V1BH
18,000 BTUH 208/230v Indoor Unit
Product Code: CB146N22800_K78059

NO.	Part Code	Part Description	Qty
1	4202300116	Configuration Jumper Connector	1
2	22242083	Indicator Shield Cover	1
3	22242084	Indicator Light Cover	1
4	30568112	Display Board	1
5	2011210302	Electric Control Box	1
6	42011233	Terminal Board	1
7	01592087	Shield Cover of Electric Box	1
8	30138000072	Main Board	1
9	20102000545	Electric Control Box Assy	1
10	2012212302	Electric Control Box Cover	1
11	01592088	Shield Cover of Electric Box Cover	1
12	2012214209	Electric Control Box Cover 2	1
16	20012676S	Front Panel - B1	1
17	20012497	Front Case Assy	1
18	242520041	Screw Cover	1
19	1501214601	Fan Motor	1
20	10512140	Guide Louver	1
21	10542036	Axial Bushing	1
22	01002000038	Evaporator Coil Assy	1
23	26112164	Connecting Pipe Clamp	1
24	10352036	Cross Flow Fan	1
25	26112231	Motor Press Plate	1
26	15012086	Stepper Motor	1
27	10582070	Crank	1
28	26112232	Helicoid Tongue	1
29	10512160	Air Louver	2
30	0523001407	Drain Hose	1
31	22202154	Rear Case Assy	1
32	01252484	Wall Mounting Frame	1
33	76712012	Rubber Drain Plug (Water Tray)	1
34	10512037	Left Axial Bushing	1
35	26152022	Bearing Ring	1
36	305100621	Remote Controller (YB1F2F XFAN)	1
Not Shown	27210071	Remote Controller Holder/Cradle	1
37	7651205102	Bearing O-Ring Gasket sub-Assy	1
38	24212119	Evaporator Coil Support	1
39	11122104	Filter Sub-Assy	2
Not Shown	39000305	Indoor Coil Temperature Sensor	1

RIO18HP230V1BO

18,000 BTUH 208/230v Outdoor Unit



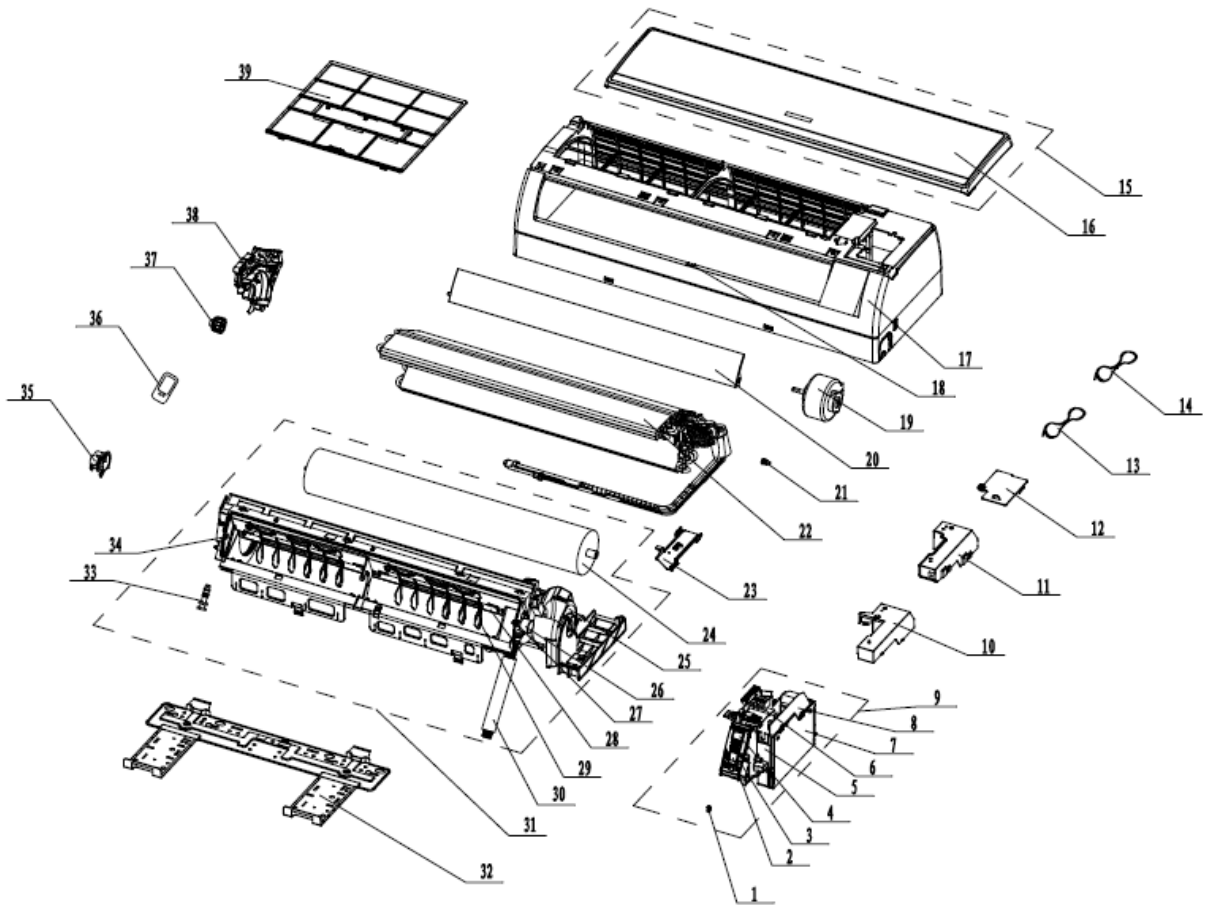
RIO18HP230V1BO
18,000 BTUH 208/230v Outdoor Unit
Product Code: CB146W33700_K78059

NO.	Part Code	Part Description	Qty
1	10335008	Axial Flow Fan	1
2	1501506402	Fan Motor	1
3	01705036	Motor Support Sub-Assy	1
4	NA	Electric Control Box	1
5	4300040045	4-Way Valve Solenoid Coil	1
6	430004032	4-Way Valve	1
7	01473043	Rear Grille	1
8	NA	Left Handle	1
9	3900030901	Temperature Sensor**	1
10	01103000276	Condenser Coil Assy	1
13	01255005P	Coping	1
14	01305093P	Left Side Plate	1
15	20113003	Electric Box Cover Insulation Plate	1
16	01403000226	Electric Control Box Assy	1
17	42010255	Terminal Board	1
18	26233053	Handle	1
Not Shown	07130239	Liquid Line Valve	1
Not Shown	071302392	Gas/Suction Valve	1
20	01715010P	Valve Support Assy	1
21	07133774	Cut off Valve Assy 1/2	1
22	07130239	Cut off Valve	1
23	0130509403P	Right Side Plate	1
24	02803207P	Chassis Sub-Assy	1
25	06123401	Drain Connector	1
27	0000030002401	Front Panel Assy	1
28	01473049	Front Grille	1
29	00105249G	Compressor and Fittings	1
Not Shown	00183051	Compressor Overload Protector	1
Not Shown	00183032	Compressor Overload Protector	1
Not Shown	00180030	Compressor Overload Protector	1
Not Shown	76715021	Compressor Grommets	3
30	43130025	Reactor	1
31	01233153	Clapboard Assy	1
Not Shown	03163567	Capillary Sub-Assy	1
Not Shown	30138000256	Main Control Board	1

** Temperature Sensor Assembly contains Discharge, Condenser Coil, and Ambient sensors.

RIO24HP230V1AH

24,000 BTUH 208/230v Indoor Unit

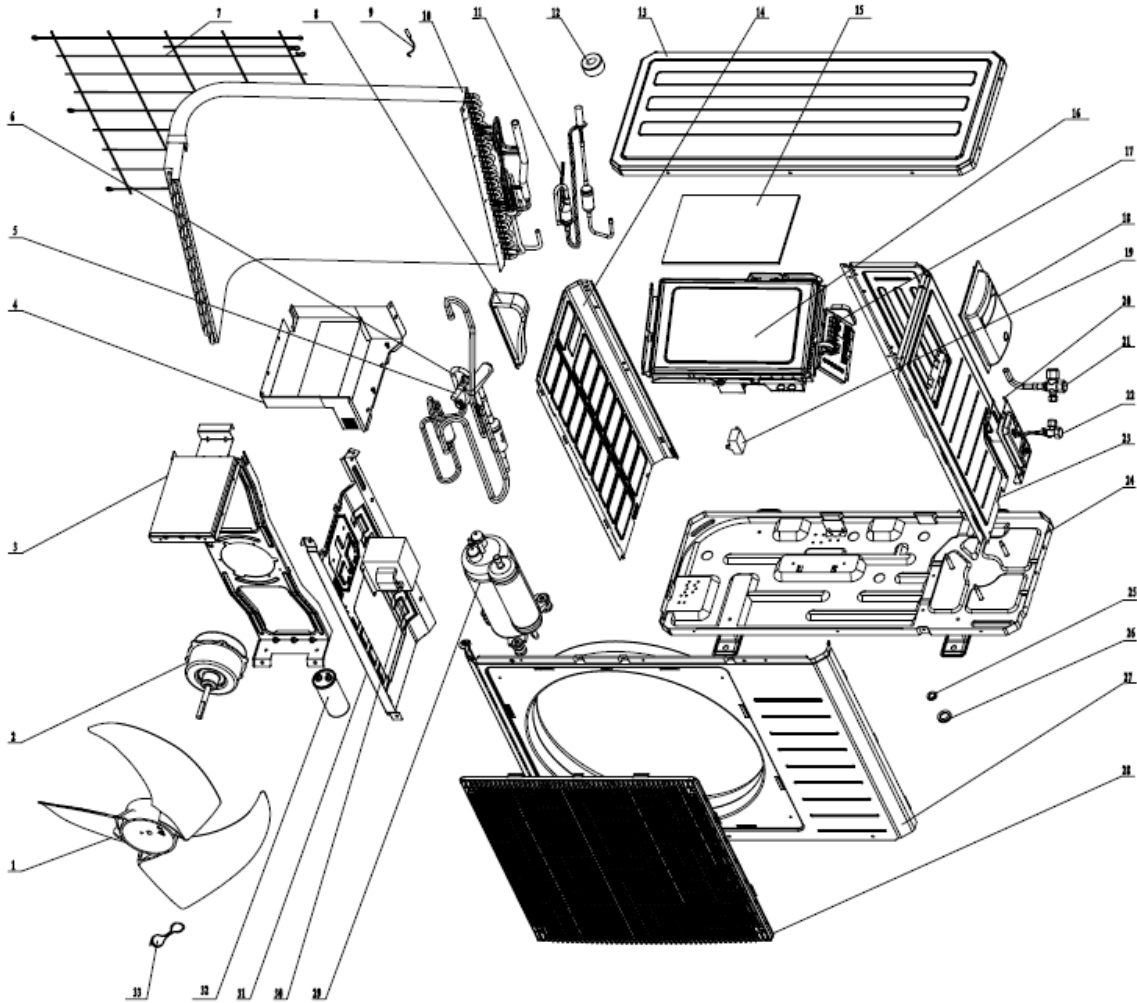


RIO24HP230V1AH
24,000 BTUH 208/230v Indoor Unit
Product Code: CB146N23500_K78059

NO.	Part Code	Part Description	Qty
1	4202300121	Configuration Jumper Connector	1
2	22242083	Indicator Shield Cover	1
3	22242084	Indicator Light Cover	1
4	30568112	Display Board	1
5	2011210302	Electric Control Box	1
6	42011233	Terminal Board	1
7	01592087	Electric Control Box Shield Cover	1
8	30138517	Main Control Board	1
9	10000200152	Electric Control Box Assy	1
10	2012212302	Electric Control Box Cover	1
11	01592088	Electric Control Box Shield Cover	1
12	2011208112	Electric Box Cover	1
15	NA	Front Panel Assy	1
16	20012659S	Front Panel	1
17	2001251401	Front Case Assy	1
18	24252016	Screw Cover	3
19	1501209801	Fan Motor	1
20	10512138	Guide Louver	1
21	10542036	Axial Bushing	1
22	01002269	Evaporator Coil Assy	1
23	26112188	Drain Pipe Connecting Clamp	1
24	10352030	Cross Flow Fan	1
25	26112316	Motor Support Plate	1
26	1521300101	Stepper Motor	1
27	10582070	Crank	1
28	26112229	Helicoid Tongue	1
29	10512139	Air Louver	3
30	0523001405	Drain Hose	1
31	2220215701	Rear Case Assy	1
32	01252032	Wall Mounting Frame	1
33	76712012	Rubber Drain Plug	1
34	10512037	Left Axial Bushing	1
35	26152025	Bearing Ring	1
36	305100621	Remote Controller (YB1F2F XFAN)	1
Not Shown	27210071	Remote Controller Holder/Cradle	1
37	7651205102	Bearing O-Gasket sub-Assy	1
38	24212103	Evaporator Coil Support	1
39	11122091	Ait Filter Sub-Assy	2
Not Shown	390000453	Ambient Temperature Sensor	1
Not Shown	390000632	Indoor Coil Temperature Sensor	1

RIO24HP230V1AO

24,000 BTUH 208/230v Outdoor Unit



RIO24HP230V1AO
24,000 BTUH 208/230v Outdoor Unit
Product Code: CB146W0141_K78059

NO.	Part Code	Part Description	Qty
1	10335008	Axial Flow Fan	1
2	1501506302	Fan Motor	1
3	01705020	Motor Support Sub-Assy	1
4	01413148	Electric Control Box	1
6	430004032	4-Way Valve	1
Not Shown	4300040045	4-Way Valve Solenoid Coil	1
7	01473043	Rear Grille	1
8	2623305301	Handle	1
9	3900030901	Temperature Sensor**	1
10	0111338603	Condenser Coil Assy	1
11	07135228	Electronic Expansion Valve	1
12	4300876704	Electric Expand Valve Fitting	1
13	01255005P	Top Cover	1
14	01305093P	Left Side Plate	1
15	20113003	Electric Control Box Insulation	1
16	02613272	Electric Control Box Assy	1
Not Shown	301483642	Main Control Board	1
17	42010255	Terminal Board	1
18	02113109	Handle Assy	1
19	3301074705	Capacitor CBB61S	1
20	01715010P	Valve Support Assy	1
21	07133060	Cut off Valve Sub-Assy	1
22	07130239	Cut off Valve	1
Not Shown	07130239	Liquid Line Valve	1
Not Shown	071302392	Gas/Suction Valve	1
23	0130509403P	Right Side Plate	1
24	0280305701P	Chassis Sub-Assy	1
25	06123401	Drain Connector	1
27	0000030002401	Front Panel Assy	1
28	01473049	Front Grille	1
29	00103501	Compressor and Fittings	1
Not Shown	00180030	Compressor Grommets	3
Not Shown	00180002	Compressor Overload Protector(External)	1
30	43130021	Reactor	1
31	01232902	Clapboard Sub-Assy	1
32	33000065	Capacitor CBB65	1

** Temperature Sensor Assembly contains Discharge, Condenser Coil, and Ambient sensors.

