

Submittal Data: NEO12HP230V1A		12,000 BTU/H Wall Mounted Heat- Pump System	
Job Name		Location	
Purchaser		Date	
Submitted To		Engineer	
Unit Designation		Schedule No.	
GENERAL FEATURES -Compact and Quiet Design -Energy Star Qualified -High Efficiency DC Inverter Technology -Wireless Remote with LCD Display -Low Ambient Cool to 5 deg F -Intelligent Defrost -Acrylic Resin/Anti-Corrosion Coil Protection Inside & Out -5 year Limited Parts Warranty -7 year Limited Compressor Warranty			
System Ratings		Indoor Unit Data	
Cooling Rated Capacity 12,000 BTU/H Capacity Range 3,100-13,000 BTU/H Power Input (Max) 1,080 W SEER 20 EER 12.0		Fan Motor Output Power 20 W FLA 0.2 A Airflow Cooling Wet (Lo/Hi) 218/335 CFM Heating Dry (Lo/Hi) 235/347 CFM	
Heating at 47° F Rated Capacity 13,000 BTU/H Capacity Range 2,400-14,000 BTU/H Power Input (Max) 1,360 W HSPF 9.2 COP 3.2		Sound Pressure Level Cooling (Lo/Hi) 33/44 db(A) Heating (Lo/Hi) 33/44 db(A)	
Heating at 17° F Rated Capacity 7,600 BTU/H Capacity (Max) 11,167 BTU/H Power Input (Max) 1,168 W COP 2.2		Dimensions & Weights Unit Dimensions (LxHxD) 33.3 x 10.8 x 7.1-in Weight (Net/Shipping) 22/29 LBS	
Operating Range		Outdoor Unit Data	
Cooling (Max) 109°F (43 C) (Min) 5°F (-15 C) Heating (Max) 75°F (24 C) (Min) 5°F (-15 C)		Compressor DC Inverter Driven Rotary Refrigerant Type R410A Fan Motor Output Power 30 W FLA 0.2 A Sound Pressure Cooling 52 db(A) Heating 52 db(A)	
Power Supply Normal Operational Voltage 208/230 V, 1 Phase, 60 Hz Voltage Range 187 - 253 V Main Power Wire Size 14-2 AWG Interconnecting Cable Wire Size 14-4 AWG MCA 10.0 A MOCP/Breaker Size 15 A		Dimensions & Weights Unit Dimensions (LxHxD) 33.4 x 23.2 x 12.6 -in Weight (Net/Shipping) 88/97 LBS	
		Refrigerant Piping Data Gas Pipe Size (OD) 3/8-in Liquid Pipe Size (OD) 1/4-in Connection Method Flared MAX Refrigerant Pipe Length 66-ft MIN Refrigerant Pipe Length 10-ft MAX Refrigerant Pipe Height Difference 33-ft	
			
			
			

EXTENDED RATINGS

COOLING PERFORMANCE

Outdoor Ambient Temperature (DB)	Indoor Entering Air Temperatures (DB) 50% RH					
	62 F		67 F		72 F	
	TC	SHC	TC	SHC	TC	SHC
25 F	14,898	11,045	16,102	11,631	17,181	12,381
35 F	14,566	11,026	15,466	11,295	16,250	11,726
45 F	13,840	10,625	14,800	10,969	15,856	11,477
55 F	13,326	10,288	14,201	10,647	15,221	11,127
65 F	12,869	9,995	14,175	10,736	15,023	10,986
75 F	12,368	9,651	13,329	10,230	14,314	10,564
85 F	11,884	9,398	12,737	9,838	13,782	10,334
95 F	11,267	9,006	12,125	9,650	13,225	9,932
105 F	10,646	8,644	11,483	9,134	12,448	9,564
115 F	10,024	8,297	10,663	8,636	11,372	8,879

HEATING PERFORMANCE

Outdoor Ambient Temperature (DB) (80% RH)	Indoor Entering Air Temperatures (DB)					
	65 F		70 F		75 F	
	TC	SHC	TC	SHC	TC	SHC
5 F	9,267	9,267	8,706	8,706	8,478	8,478
15 F	11,656	11,656	11,023	11,023	10,672	10,672
25 F	11,904	11,904	11,741	11,741	11,533	11,533
35 F	12,940	12,940	12,705	12,705	12,598	12,598
45 F	14,266	14,266	14,059	14,059	13,614	13,614
55 F	14,586	14,586	14,316	14,316	14,199	14,199
65 F	14,531	14,531	14,447	14,447	14,345	14,345

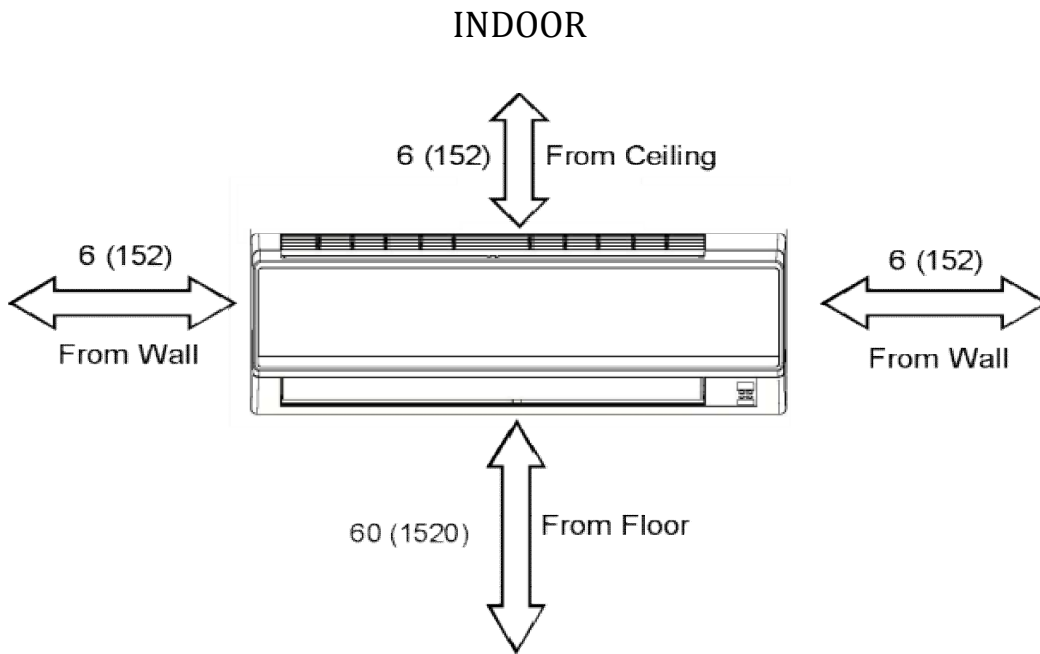
TC- Total Capacity (BtuH)

SHC- Sensible Capacity (BtuH)

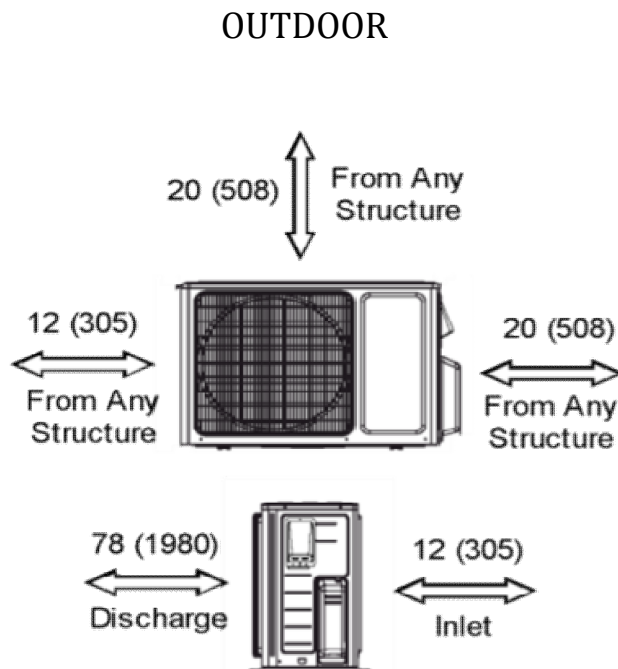


MINIMUM SPACING REQUIREMENTS

Units: inch (mm)



Units: inch (mm)

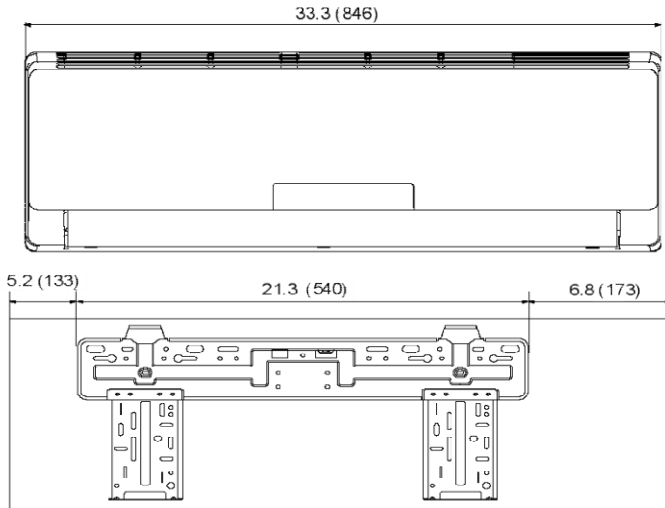


DIMENSIONAL SPECIFICATIONS

NEO12HP230V1A

INDOOR UNIT DIMENSIONS

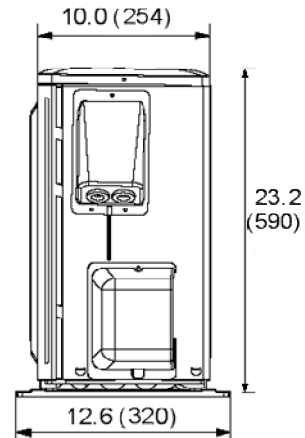
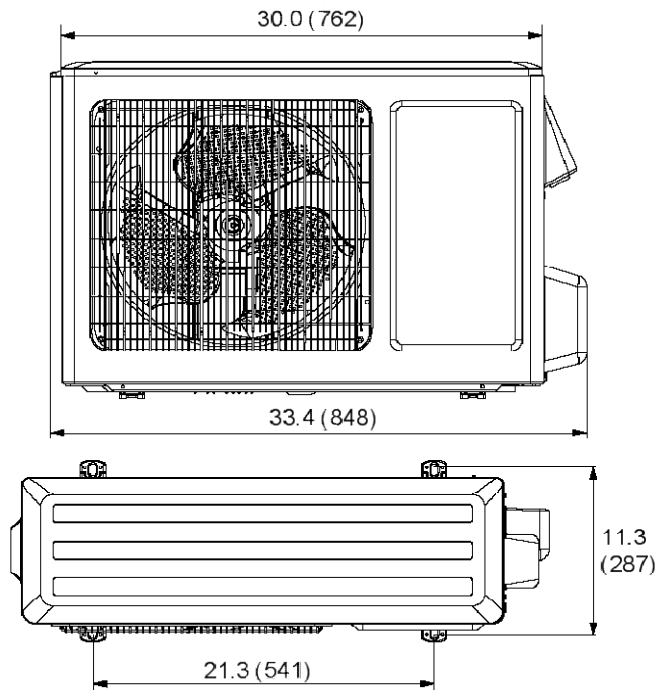
Units: inch (mm)



Liquid Line Valve	1/4-in OD Flared
Gas Line Valve	3/8-in OD Flared
Drain Connector	5/8-in OD

OUTDOOR UNIT DIMENSIONS

Units: inch (mm)



Liquid Line Valve	1/4-in OD Flared
Gas Line Valve	3/8-in OD Flared

Notes:

1. Recommended Interconnecting Cable Type Stranded Bare Copper Conductors THHN 600V Wire
2. Power wiring cable size must comply with applicable national and local codes.
3. Test conditions are based on AHRI 210/240.



www.greecomfort.com

Specifications are subject to change without notice. Manufacturer reserves the right to discontinue or modify specifications or designs without notice or without incurring obligations. All rights reserved.