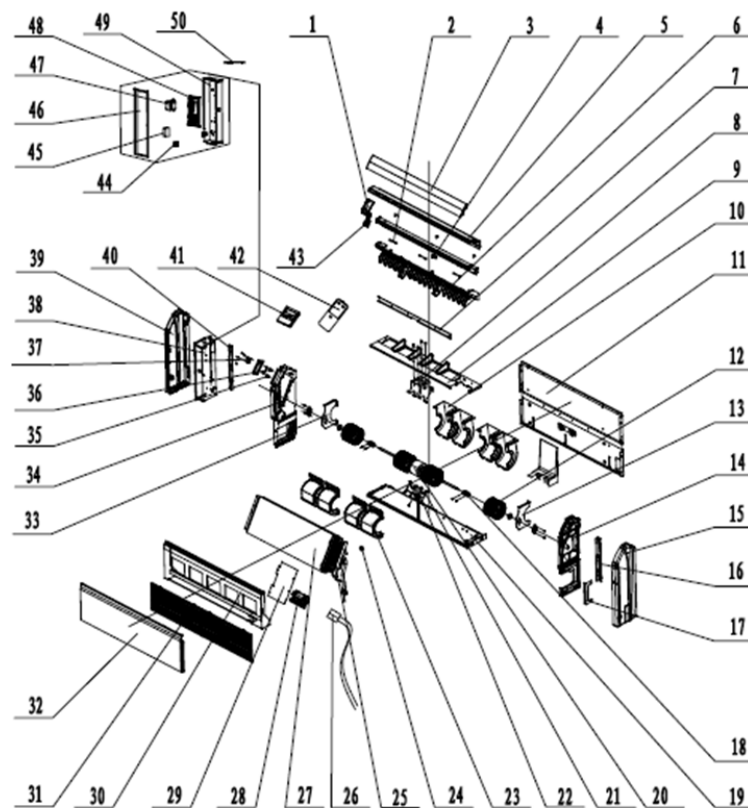


## Floor/Ceiling Replacement Parts Catalog



### Models:

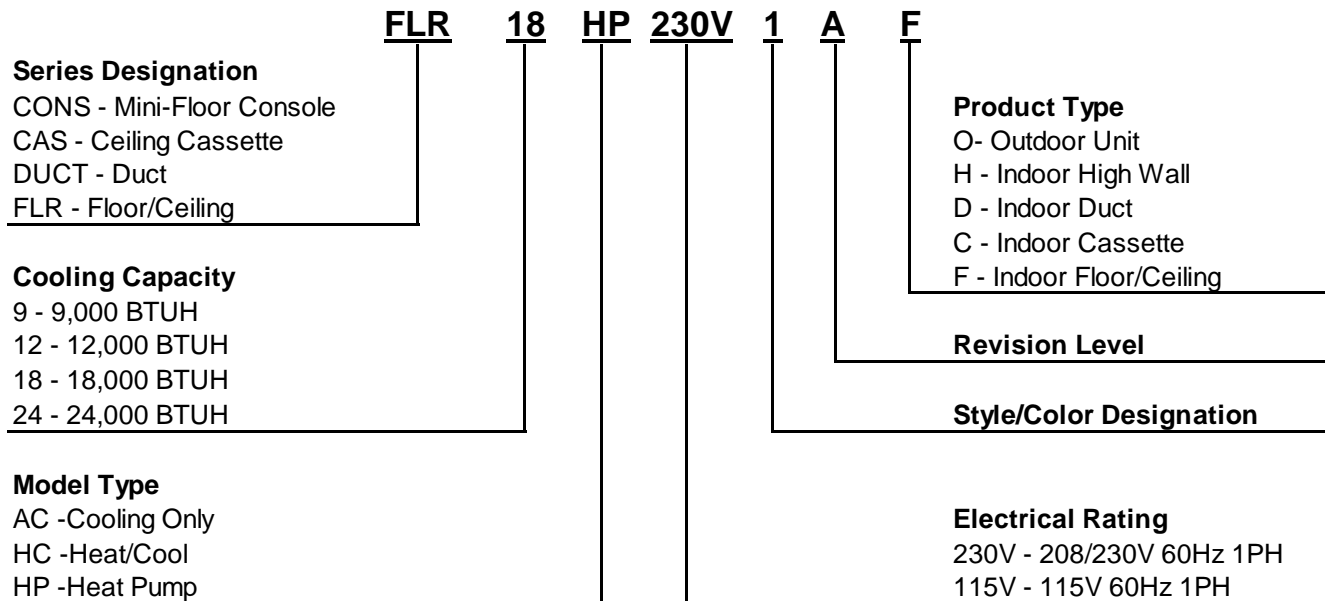
FLR09HP230V1AF  
FLR12HP230V1AF  
FLR18HP230V1AF  
FLR24HP230V1AF

# Table of Contents

Model Number	Description	Page
Nomenclature	Part Number Nomenclature Chart	2
FLR09HP230V1AF	9,000 BTUH 230v Floor/Ceiling Unit	3
FLR12HP230V1AF	12,000 BTUH 230v Floor/Ceiling Unit	6
FLR18HP230V1AF	18,000 BTUH 230v Floor/Ceiling Unit	9
FLR24HP230V1AF	24,000 BTUH 230v Floor/Ceiling Unit	12

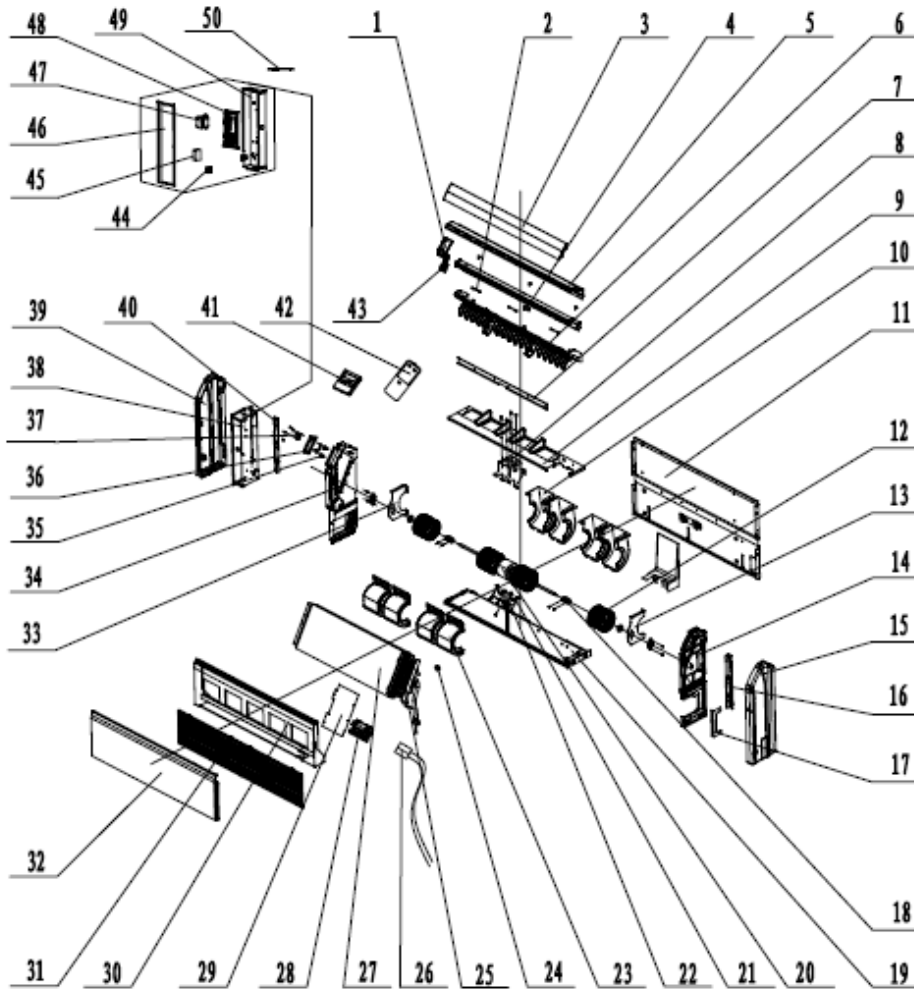
## Product Catalog Number-Nomenclature

Example: **FLR18HP230V1AF**



# FLR09HP230V1AF

## 9,000 BTUH 230v FLOOR/CEILING



## FLR09HP230V1AF

### 9,000 BTUH 230v FLOOR/CEILING

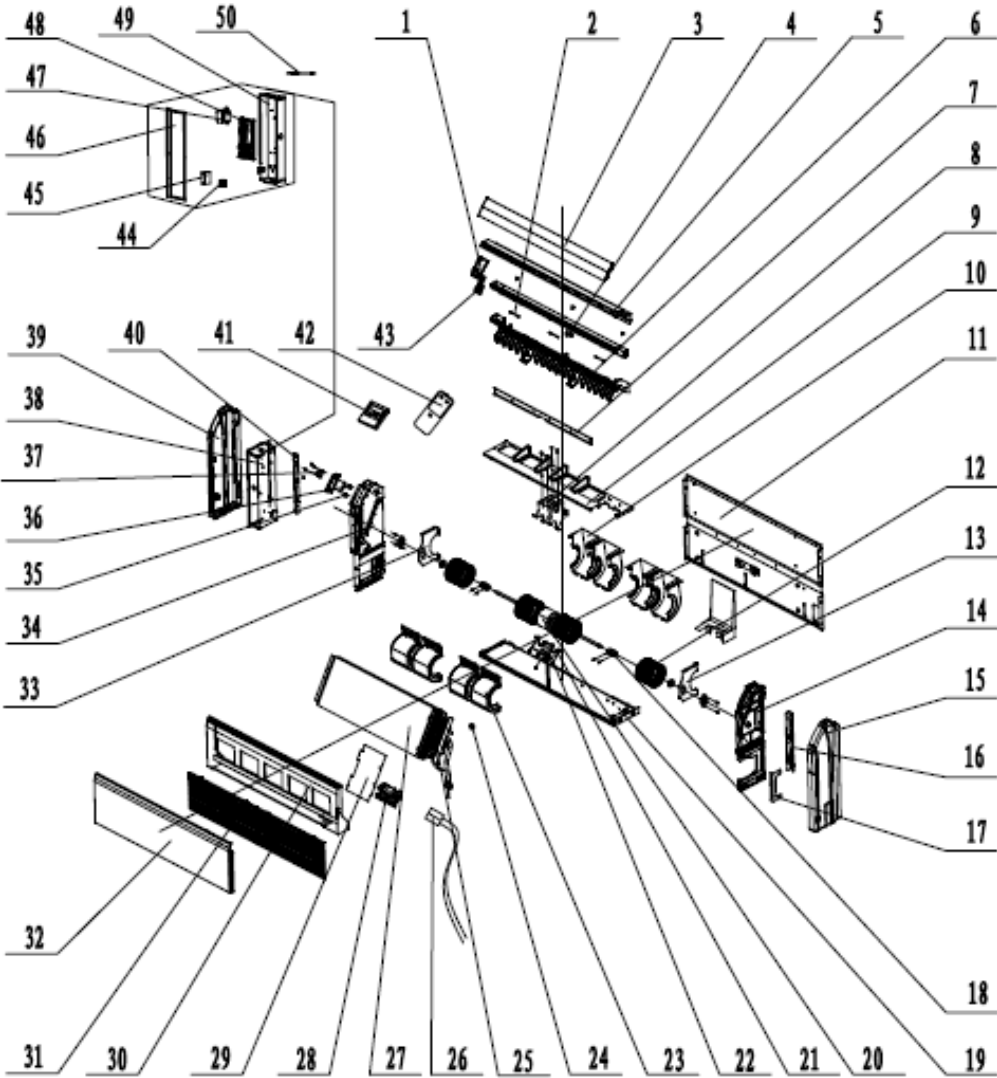
NO.	Part Code	Part Description	Qty
1	26909426R	Fixed Mount	1
2	26112127	Louver Clamp	2
3	10619403	Guide Louver	2
4	26909430	Rotating Shaft	4
5	01349414P	Front Connection Board	1
6	26909448	Base Frame	1
7	02229418	Induced Air Plate Sub-Assy	1
8	01805288	Support	1
9	01249428	Mid Clapboard Assy	1
10	26905205	Front Blower Housing	4
11	01319440	Rear Side Plate Assy	1
12	10425200	Centrifugal Fan	4
13	01809417	Support	1
14	01319429	Right Side Plate Sub-Assy	1
15	26909444	Right Cover Plate	1
16	01809402	Installation Mounting Bracket	1
17	02229406	Connection Board	1
18	73018731	Joint Slack	2
19	01349422	Rear Connection board	1
20	1570940901	Fan Motor	1
21	70818405	Bar Clasp	1
22	70815201	Bar Clasp Sub-Assy	1
23	26905206	Rear Blower Housing	4
24	76513101	Cable Cross Loop	1
25	07216221	Air Filter	1
26	3900019822	Temperature Sensor	1
27	01029482	Evaporator Coil Assy	1
28	26909442	Water Release Flume Plate Board	1
29	01344115	Connection Board	1
30	01289404	Condensate Water Tray Assy	1
31	01579403	Front Grille Sub-Assy	2
32	01269409	Top Cover Board Sub-Assy	1
33	01809418	Support	1
34	0131942801	Left Side Plate Sub-Assy	1
35	26909412	Rotating Shaft 1	1
36	26909413	Rotating Shaft 2	1
37	1521240206	Stepper Motor	1
38	02404651	Electric Box Assy	1
39	26909443	Left Cover Plate	1

**FLR09HP230V1AF – (cont.)**  
**9,000 BTUH 230v FLOOR/CEILING**

NO.	Part Code	Part Description	Qty
40	01809401	Installation Mounting Bracket	1
41	MC20700140	Wired Tether Controller	1
42	305100491	Remote Controller	1
43	30294220	Display Board	1
44	420111041	Terminal Board	1
45	33010089	Capacitor CBB61	1
46	01429420	Electric Box Cover	1
47	43110257	Transformer	1
48	30226350	Main Control Board	1
49	01399503	Electric Box Sub-Assy	1
50	390001978G	Ambient Temperature Sensor	1

# FLR12HP230V1AF

## 12,000 BTUH 230v FLOOR/CEILING



# FLR12HP230V1AF

## 12,000 BTUH 230v FLOOR/CEILING

NO.	Part Code	Part Description	Qty
1	26909426R	Fixed Mount	1
2	26112127	Louver Clamp	2
3	10619403	Guide Louver	2
4	26909430	Rotating Shaft	4
5	01349414P	Front Connection Board	1
6	26909448	Base Frame	1
7	02229418	Induced Air Plate Sub-Assy	1
8	01805288	Support	1
9	01249428	Mid Clapboard Assy	1
10	26905205	Front Blower Housing	4
11	01319440	Rear Side Plate Assy	1
12	10425200	Centrifugal Fan	4
13	01809417	Support	1
14	01319429	Right Side Plate Sub-Assy	1
15	26909444	Right Cover Plate	1
16	01809402	Installation Mounting Bracket	1
17	02229406	Connection Board	1
18	73018731	Joint Slack	2
19	01349422	Rear Connection Board	1
20	1570940901	Fan Motor	1
21	70818405	Bar Clasp	1
22	70815201	Bar Clasp Sub-Assy	1
23	26905206	Rear Blower Housing	4
24	76513101	Cable Cross Loop	1
25	07216221	Air Filter	1
26	3900019822	Temperature Sensor	1
27	01029482	Evaporator Coil Assy	1
28	26909442	Water Releasing Flume Plate Board	1
29	01344115	Connection Board	1
30	01289404	Condensate Water Tray Assy	1
31	01579403	Front Grill Sub-Assy	2
32	01269409	Top Cover Board Sub-Assy	1
33	01809418	Support	1
34	0131942801	Left Side Plate Sub-Assy	1
35	26909412	Rotating Shaft 1	1
36	26909413	Rotating Shaft 2	1
37	1521240206	Stepper Motor	1
38	02404651	Electric Box Assy	1
39	26909443	Left Cover Plate	1

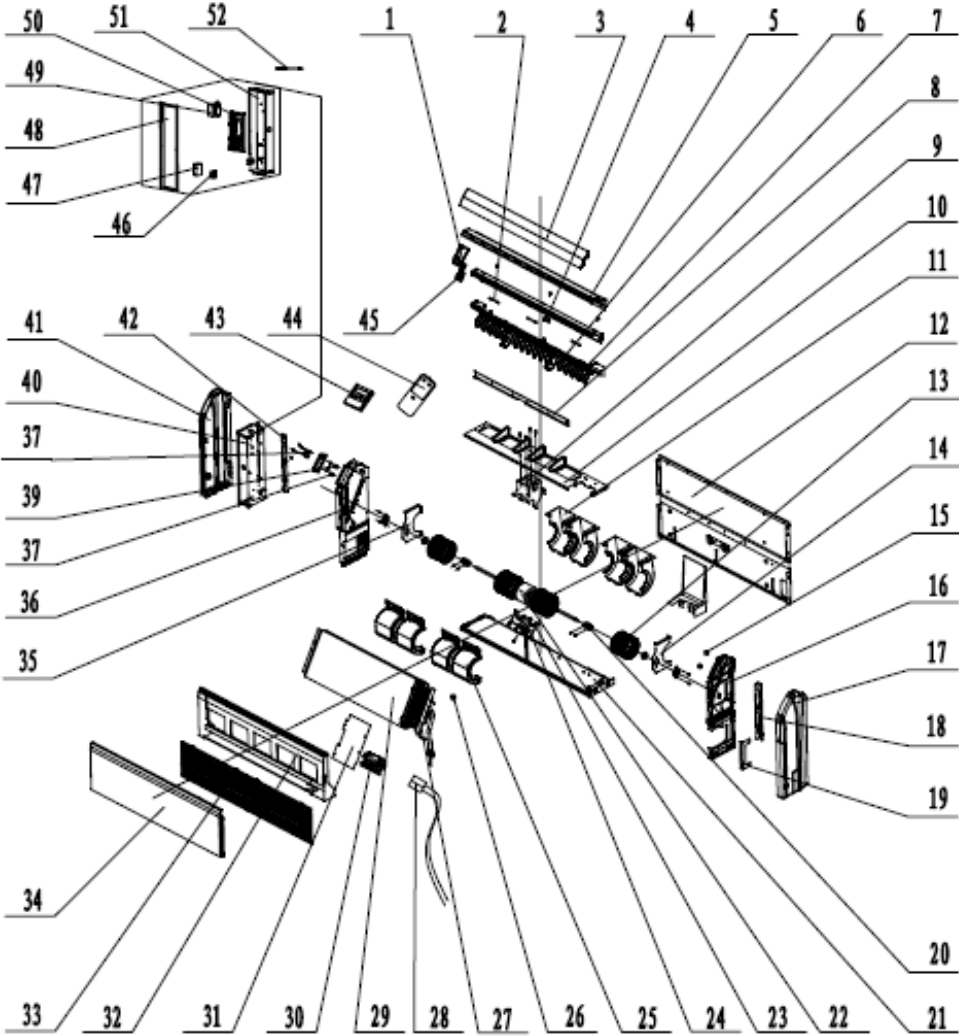
**FLR12HP230V1AF – (cont.)**  
**12,000 BTUH 230v FLOOR/CEILING**

NO.	Part Code	Part Description	Qty
40	01809401	Installation Mounting Bracket	1
41	MC20700140	Wired Tether Controller	1
42	305100491	Remote Controller	1
43	30294220	Display Board	1
44	420111041	Terminal Board	1
45	33010089	Capacitor CBB61	1
46	01429420	Electric Box Cover	1
47	43110257	Transformer	1
48	30226350	Main Control Board	1
49	01399503	Electric Box Sub-Assy	1
50	390001978G	Ambient Temperature Sensor	1



# FLR18HP230V1AF

## 18,000 BTUH 230v FLOOR/CEILING



## FLR18HP230V1AF

### 18,000 BTUH 230v FLOOR/CEILING

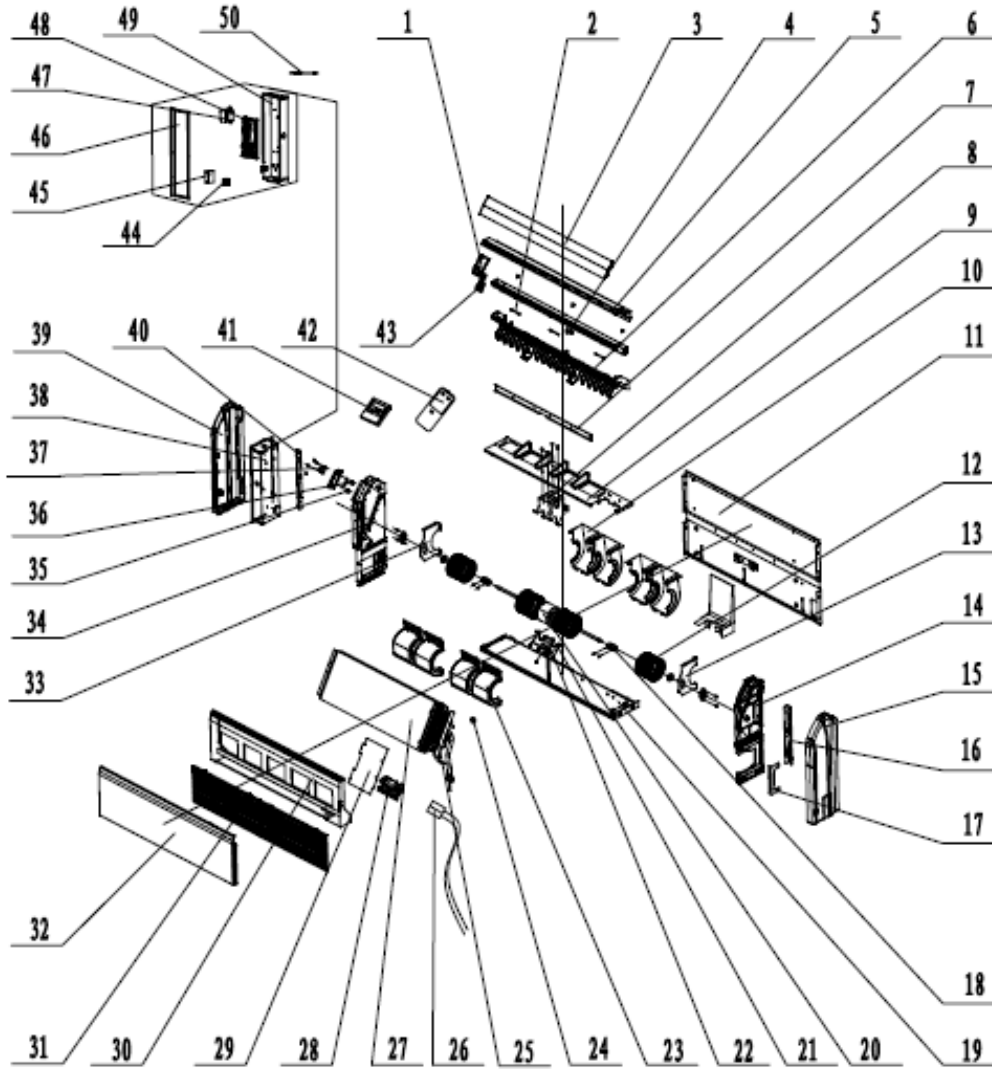
NO.	Part Code	Part Description	Qty
1	26909426R	Fixed Mount	1
2	26112127	Louver Clamp	2
3	10619403	Guide Louver	2
4	26909430	Rotating Shaft	4
5	01349414P	Front Connection Board	1
6	10619404	Air Louver	16
7	26909448	Base Frame	1
8	02229418	Induced Air Plate Sub-Assy	1
9	01805288	Support	1
10	0124942801	Mid Clapboard Assy	1
11	26905205	Front Blower Housing	4
12	01319440	Rear Side Plate Assy	1
13	10425200	Centrifugal Fan	4
14	01809417	Support	1
15	10542704	Axial Bushing	2
16	01319429	Right Side Plate Sub-Assy	1
17	26909444	Right Cover Plate	1
18	01809402	Installation Mounting Bracket	1
19	02229406	Connection Board	1
20	73018731	Joint Slack	2
21	01349422	Rear Connection Board	1
22	15704111	Fan Motor	1
23	70818405	Bar Clasp	1
24	70815201	Bar Clasp Sub-Assy	1
25	26905206	Rear Blower Housing	4
26	76513101	Cable Cross Loop	1
27	07216221	Air Filter	1
28	3900019822	Temperature Sensor	1
29	01029469	Evaporator Coil Assy	1
30	26909442	Water Releasing Flume Plate Board	1
31	01344115	Connection Board	1
32	01289404	Condensate Water Tray Assy	1
33	01579403	Front Grille Sub-Assy	2
34	01269409	Top Cover Board Sub-Assy	1
35	01809418	Support	1
36	0131942801	Left Side Plate Sub-Assy	1
37	26909412	Rotating Shaft 1	1
38	26909413	Rotating Shaft 2	1
39	1521240206	Stepper Motor	1

**FLR18HP230V1AF – (cont.)**  
**18,000 BTUH 230v FLOOR/CEILING**

NO.	Part Code	Part Description	Qty
40	02404653	Electric Box Assy	1
41	26909443	Left Cover Plate	1
42	01809401	Installation Mounting Bracket	1
43	MC20700140	Wired Tether Controller	1
44	305100491	Remote Controller	1
45	30294220	Display Board	1
46	420111041	Terminal Board	1
47	33010026	Capacitor CBB61	1
48	01429420	Electric Box Cover	1
49	43110257	Transformer	1
50	30226350	Main Control Board	1
51	01399503	Electric Box Sub-Assy	1
52	390001978G	Ambient Temperature Sensor	1

# FLR24HP230V1AF

## 24,000 BTUH 230v FLOOR/CEILING



## FLR24HP230V1AF 24,000 BTUH 230v FLOOR/CEILING

NO.	Part Code	Part Description	Qty
1	26909426R	Fixed Mount	1
2	26112127	Louver Clamp	2
3	10619403	Guide Louver	2
4	26909430	Rotating Shaft	4
5	01349414P	Front Connection Board	1
6	26909448	Base Frame	1
7	02229418	Induced Air Plate Sub-Assy	1
8	01805288	Support	1
9	0124942802	Mid Clapboard Assy	1
10	26905205	Front Blower Housing	4
11	01319440	Rear Side Plate Assy	1
12	10425200	Centrifugal Fan	4
13	01809417	Support	1
14	01319429	Right Side Plate Sub-Assy	1
15	26909444	Right Cover Plate	1
16	01809402	Installation Mounting Bracket	1
17	02229406	Connection Board	1
18	73018731	Joint Slack	2
19	01349422	Rear Connection Board	1
20	15709409	Fan Motor	1
21	70818405	Bar Clasp	1
22	70815201	Bar Clasp Sub-Assy	1
23	26905206	Rear Blower Housing	4
24	76513101	Cable Cross Loop	1
25	07212001	Strainer	1
26	3900019822	Temperature Sensor	1
27	01029474	Evaporator Coil Assy	1
28	26909442	Water Releasing Flume Plate Board	1
29	02229428	Connection Board	1
30	01289404	Condensate Water Tray Assy	1
31	01579403	Front Grille Sub-Assy	2
32	01269409	Top Cover Board Sub-Assy	1
33	01809418	Support	1
34	0131942801	Left Side Plate Sub-Assy	1
35	26909412	Rotating Shaft 1	1
36	26909413	Rotating Shaft 2	1
37	1521240206	Stepper Motor	1
38	02404654	Electric Box Assy	1
39	26909443	Left Cover Plate	1

**FLR24HP230V1AF – (cont.)**  
**24,000 BTUH 230v FLOOR/CEILING**

NO.	Part Code	Part Description	Qty
40	01809401	Installation Mounting Bracket	1
41	MC20700140	Wired Tether Controller	1
42	305100491	Remote Controller	1
43	30294220	Display Board	1
44	420111041	Terminal Board	1
45	33010027	Capacitor CBB61	1
46	01429420	Electric Box Cover	1
47	43110257	Transformer	1
48	30226350	Main Control Board	1
49	01399503	Electric Box Sub-Assy	1
50	390001978G	Ambient Temperature Sensor	1

