

CROWN & CROWN⁺

Replacement Parts Catalog

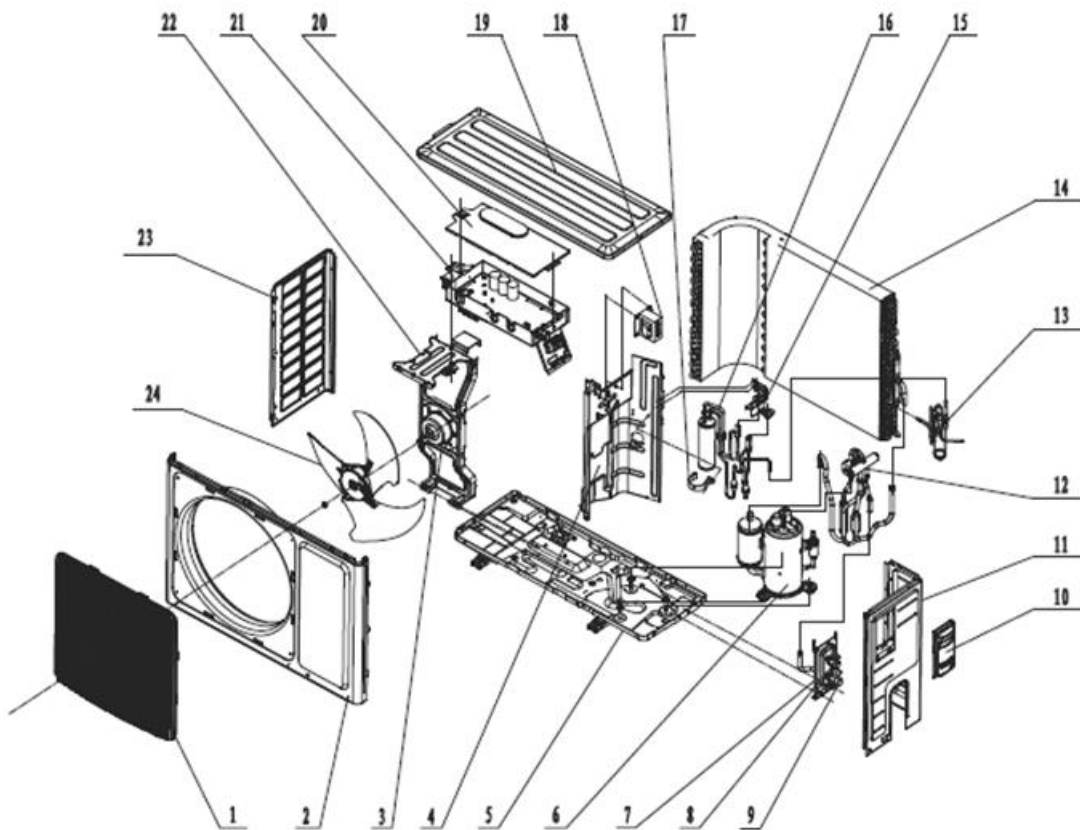
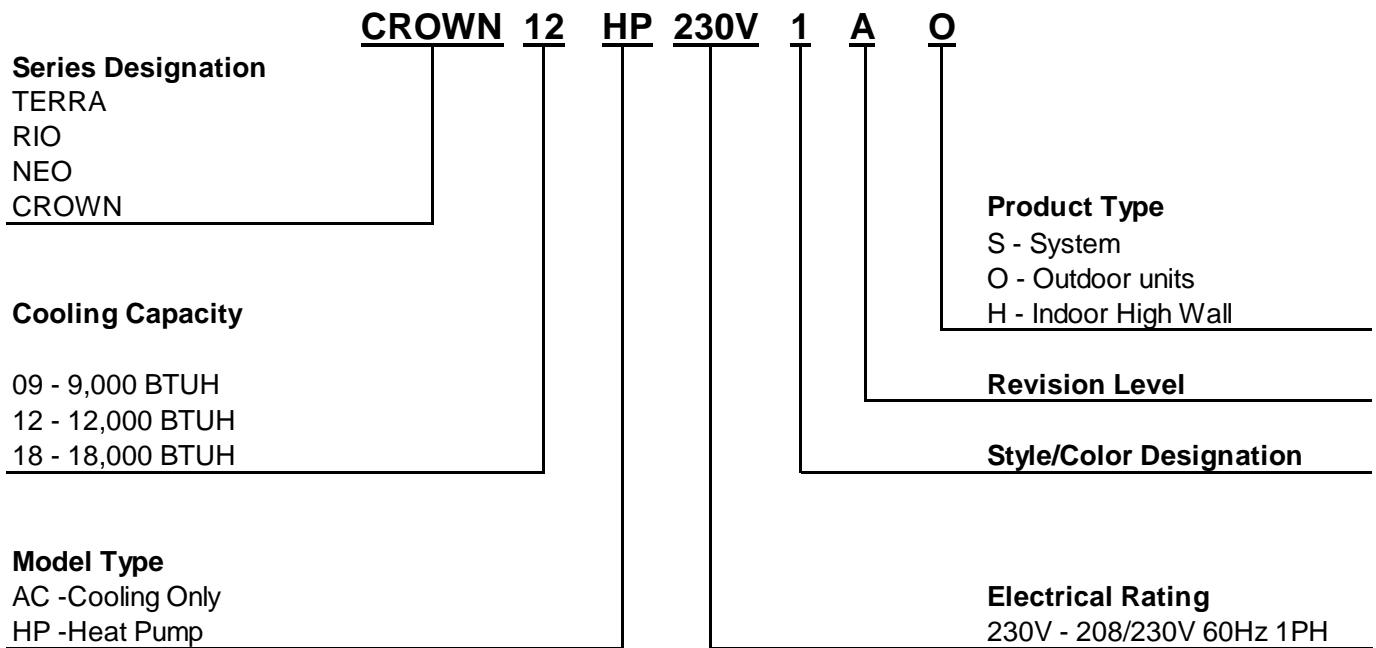


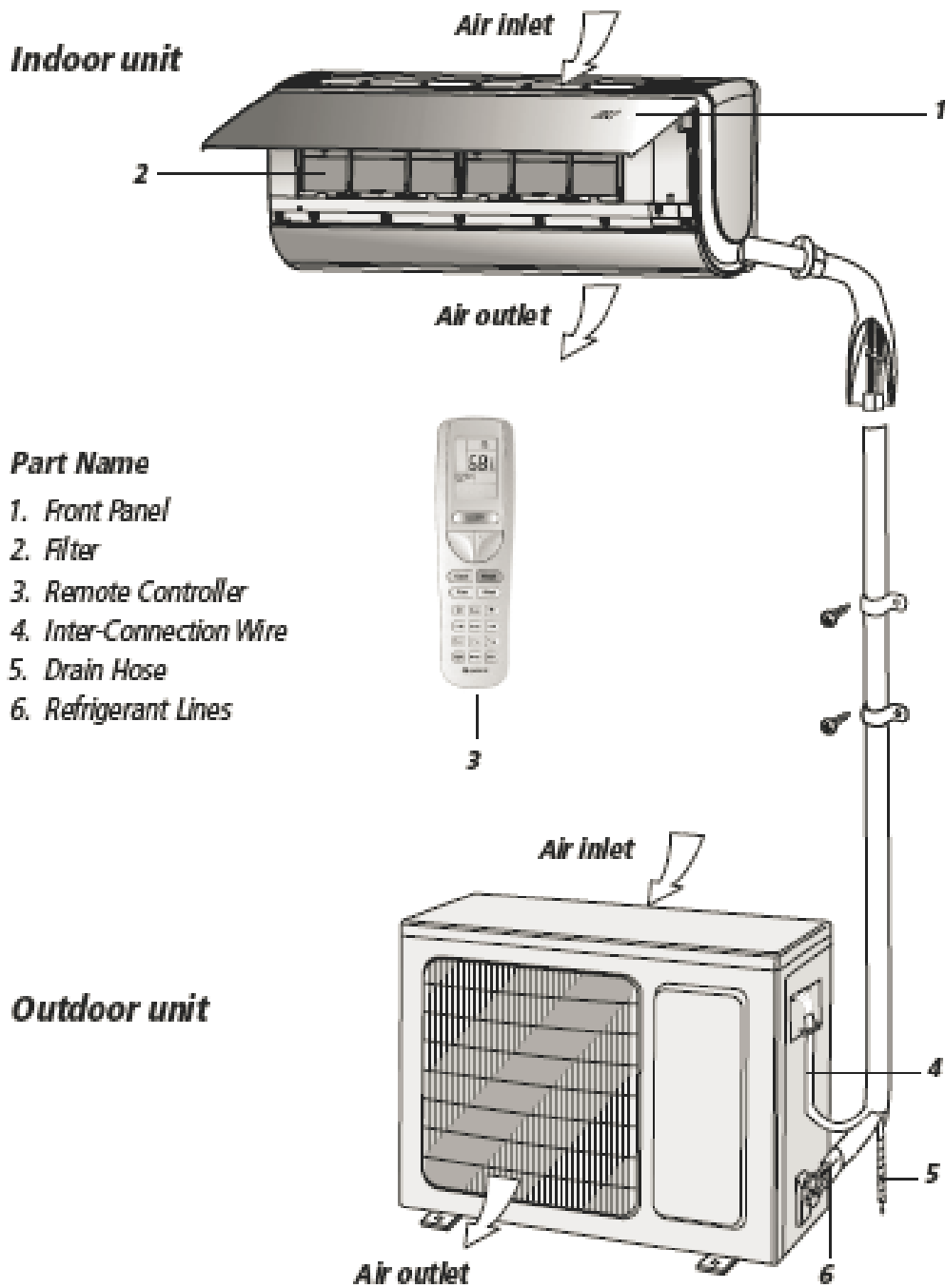
Table of Contents

| Model Number | Description | Page |
|---------------------|--|-------------|
| Nomenclature | Part Number Nomenclature Chart | 3-4 |
| CROWN09HP230V1AH | Crown Heat Pump 9,000 BTUH 230v Indoor Unit | 5-6 |
| CROWN09HP230V1AO | Crown Heat Pump 9,000 BTUH 230v Outdoor Unit | 7-8 |
| CROWN12HP230V1AH | Crown Heat Pump 12,000 BTUH 230v Indoor Unit | 9-10 |
| CROWN12HP230V1AO | Crown Heat Pump 12,000 BTUH 230v Outdoor Unit | 11-12 |
| CROWN18HP230V1AH | Crown Heat Pump 18,000 BTUH 230v Indoor Unit | 13-14 |
| CROWN18HP230V1AO | Crown Heat Pump 18,000 BTUH 230v Outdoor Unit | 15-16 |
| CROWN09HP230V1BH | Crown+ Heat Pump 9,000 BTUH 230v Indoor Unit | 17-18 |
| CROWN09HP230V1BO | Crown+ Heat Pump 9,000 BTUH 230v Outdoor Unit | 19-20 |
| CROWN12HP230V1BH | Crown+ Heat Pump 12,000 BTUH 230v Indoor Unit | 21-22 |
| CROWN12HP230V1BO | Crown+ Heat Pump 12,000 BTUH 230v Outdoor Unit | 23-24 |
| CROWN18HP230V1BH | Crown+ Heat Pump 18,000 BTUH 230v Indoor Unit | 25-26 |
| CROWN18HP230V1BO | Crown+ Heat Pump 18,000 BTUH 230v Outdoor Unit | 27-28 |

Product Catalog Number-Nomenclature

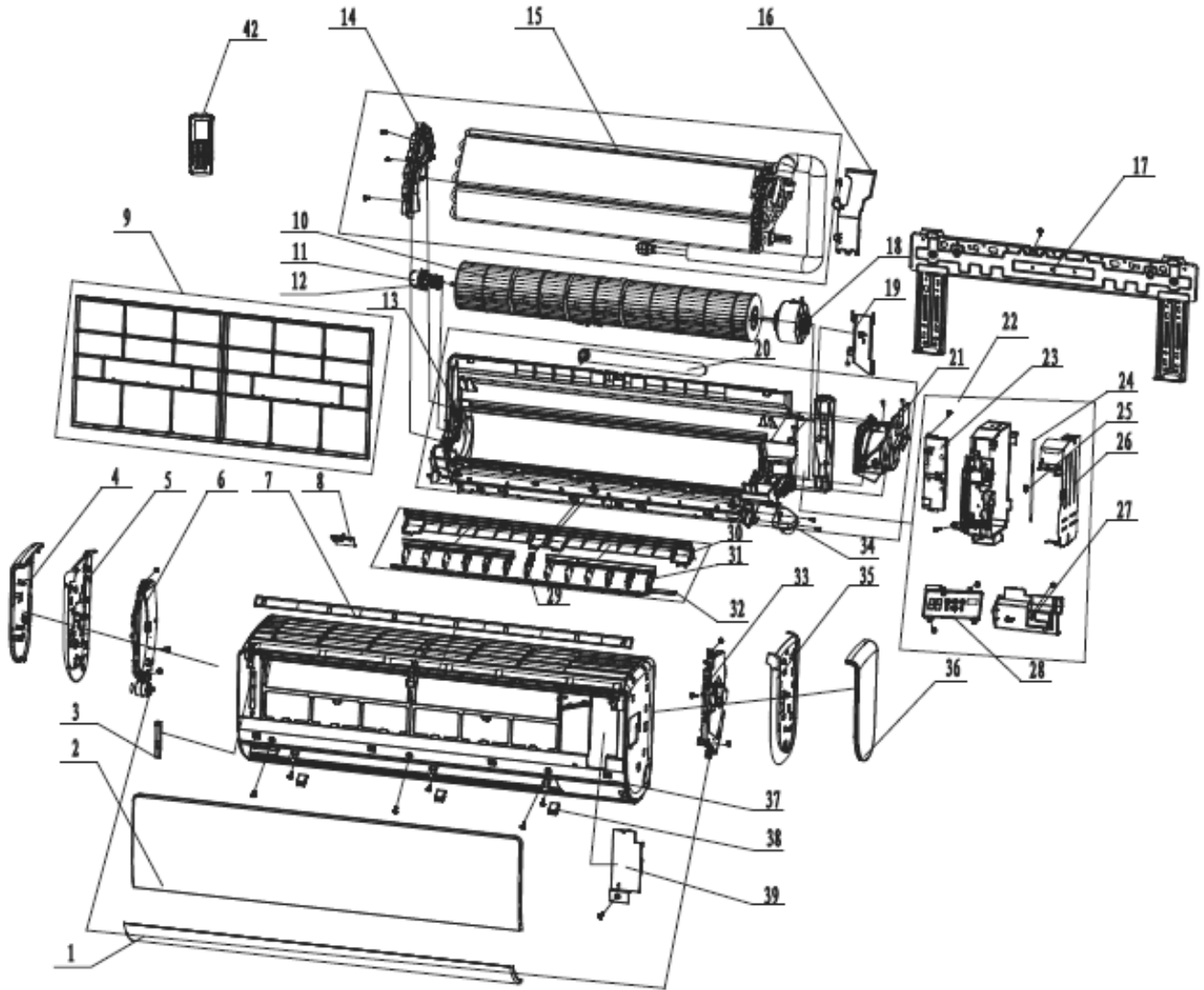
Example: CROWN12HP230V1AO





CROWN09HP230V1AH

9,000 BTUH 230v Indoor Unit

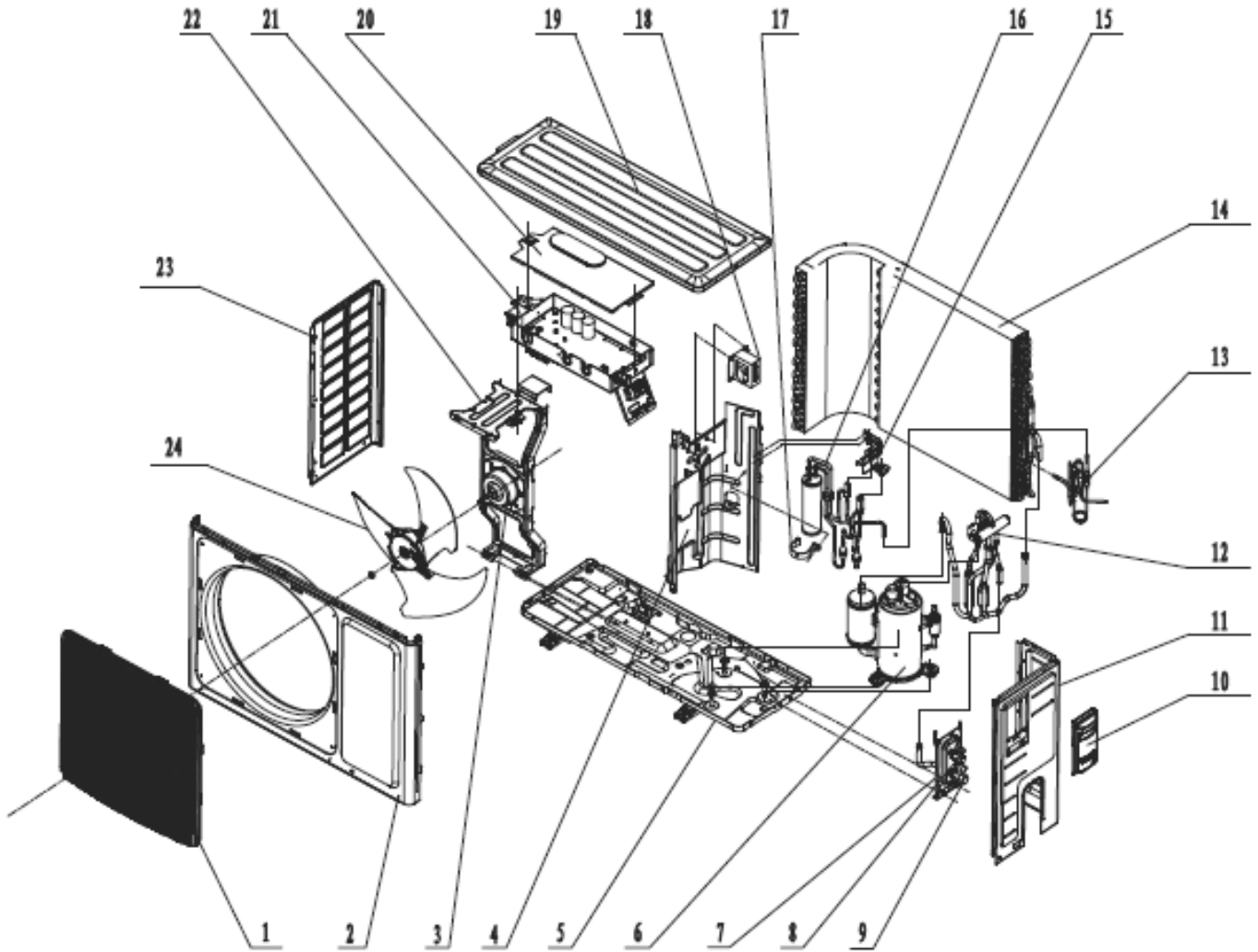


CROWN09HP230V1AH
9,000 BTUH 230v Indoor Unit
Product Code: GWH09UC-D3DNA4A/I

| NO. | Part Code | Part Description | Qty |
|-----------|-------------|--|-----|
| 1 | 10512916 | Guide Louver | 1 |
| 2 | 27219901961 | Front Panel | 1 |
| 3 | 10582150P | Stand Bar | 1 |
| 4 | 26112361P | Left Side Plate | 1 |
| 5 | 20192600 | Left Decorative Board | 1 |
| 6 | 2011220101 | Left Driving Box Sub-Assy | 1 |
| 7 | 20192602 | Decorative Strip (Up) | 1 |
| 8 | 20122193P | Cover Plate (Air Outlet) | 1 |
| 9 | 11122155 | Air Filter | 2 |
| 10 | 10352054 | Cross Flow Fan | 1 |
| 11 | 26152022 | Bearing Ring | 1 |
| 12 | 7651205102 | Bearing O-Gasket Sub-Assy | 1 |
| 13 | 00000100057 | Rear Case Assy | 1 |
| 14 | 24212170 | Evaporator Support | 1 |
| 15 | 01100100177 | Evaporator Coil Assy | 1 |
| 16 | 26112359 | Breakwater | 1 |
| 17 | 01252040 | Wall Mounting Bracket | 1 |
| 18 | 15012466 | Fan Motor | 1 |
| 19 | 2611216401 | Drainage Pipe Clamp | 1 |
| 20 | 05230014 | Drainage Hose | 1 |
| 21 | 26112360 | Motor Press Plate | 1 |
| 22 | 10000201561 | Electric Control Box Assy | 1 |
| 23 | 30070049 | Wi-Fi Module | 1 |
| 24 | 30138001220 | Main Control Board | 1 |
| 25 | 4202021916 | Configuration Jumper | 1 |
| Not Shown | 390000455 | Ambient Temperature Sensor | 1 |
| Not Shown | 390000594 | Indoor Coil Temperature Sensor | 1 |
| 26 | 01592131 | Electric Box Shield Cover Sub-assy | 1 |
| 28 | 30568247 | Display Board | 1 |
| 29 | 10512336 | Air Louver | 1 |
| 30 | 26112560 | Helicoid Tongue Sub-Assy | 1 |
| 31 | 10512766 | Air Louver | 2 |
| 32 | none | Swing Lever | 0 |
| 33 | 2011220001 | Right Driving Box Sub-Assy | 1 |
| 34 | 15002021 | Louver Motor Sub-Assy (Left and Right) | 1 |
| 35 | 20192601 | Right Decorative Board | 1 |
| 36 | 26112362P | Right Side Plate | 1 |
| 37 | 00000200048 | Front Case Assy | 1 |
| 38 | 24252029P | Screw Cover | 3 |
| 39 | 00001300010 | Electric Box Cover Sub-Assy | 1 |
| 42 | 30510568 | Remote Controller (SAA1FB1F) | 1 |
| Not Shown | 20120048 | Remote Controller Holder/Cradle | 1 |
| Not Shown | 06643011 | Pipe Adaptor 1/2-in to 3/8-in | 1 |

CROWN09HP230V1AO

9,000 BTUH 230v Outdoor Unit



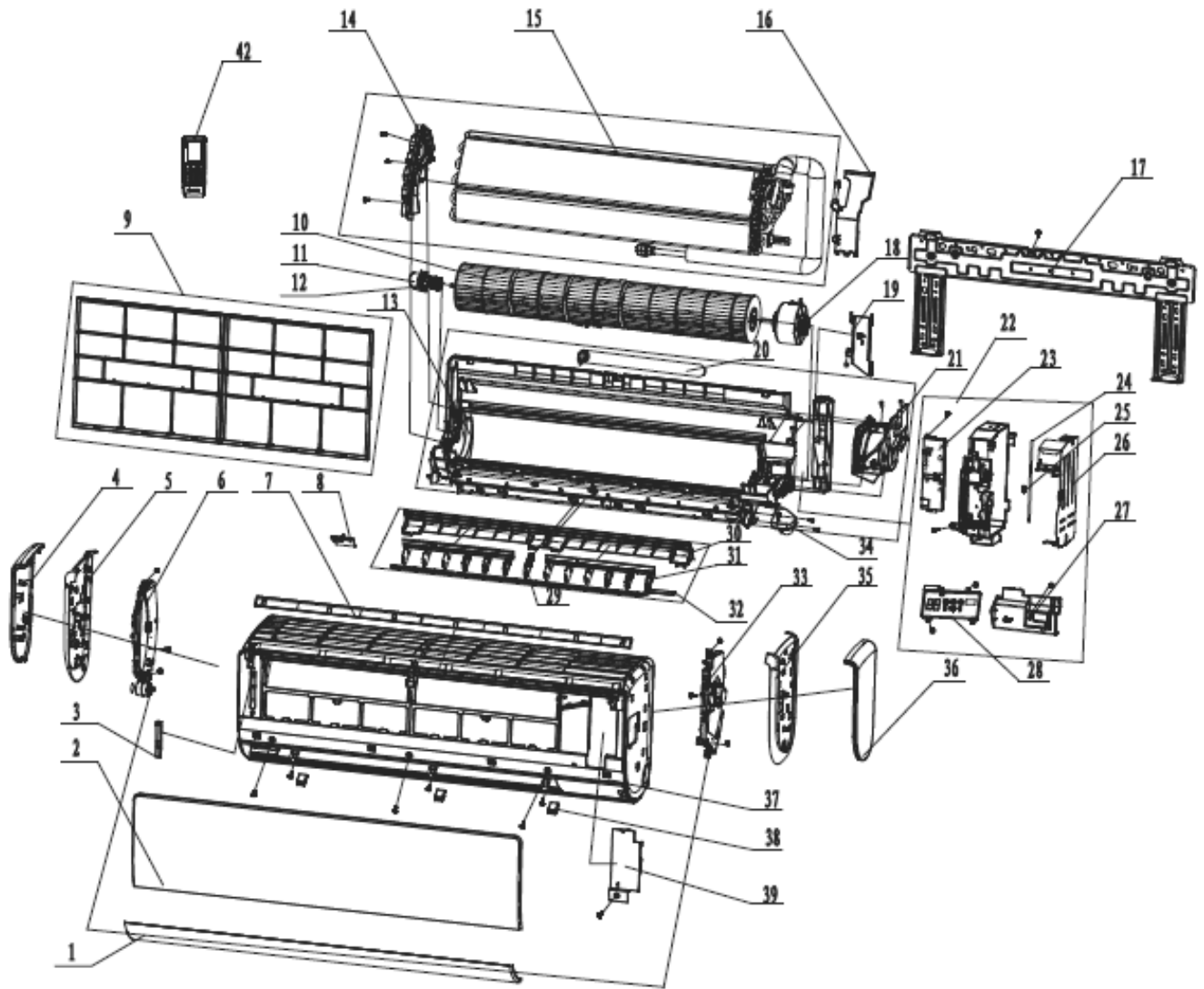
CROWN09HP230V1AO
9,000 BTUH 230v Outdoor Unit
Product Code: GWH09UC-D3DNA4A/O

| NO. | Part Code | Part Description | Qty |
|-----------|-------------|--|-----|
| 1 | 01473065 | Front Grille | 1 |
| 2 | 0153305104 | Front Panel Assy | 1 |
| Not Shown | 76510004 | Basepan Heater | 1 |
| 3 | 1501308507 | Fan Motor | 1 |
| 4 | 01233510 | Clapboard | 1 |
| 5 | 0280311901P | Chassis Sub-Assy | 1 |
| 6 | 00103977 | Compressor and Fittings | 1 |
| Not Shown | 00180030 | Compressor Overload Protector(External) | 1 |
| Not Shown | 00183051 | Compressor Overload Protector(External) | 1 |
| Not Shown | 00183032 | Compressor Overload Protector(External) | 1 |
| 7 | 01713115P | Valve Support Sub-Assy | 1 |
| 8 | 0713376301 | Cut off Valve Sub-Assy | 1 |
| Not Shown | 07130239 | 1/4-in Liquid Line Valve | 1 |
| 9 | 0710307901 | 1/2-in Gas/Suction Valve | 1 |
| Not Shown | 07133909 | Electronic Expansion Valve | 1 |
| Not Shown | 4300876704 | Electronic Expansion Valve Solenoid Coil | 1 |
| 11 | 0130510002P | Right Side Plate | 1 |
| Not Shown | 430004032 | 4-Way Valve | 1 |
| 12 | 03073360 | 4-Way Valve Assy | 1 |
| Not Shown | 4300040047 | 4-Way Valve Solenoid Coil | 1 |
| 13 | 03000600305 | Capillary Sub-assy | 1 |
| 14 | 01100200318 | Condenser Coil Assy | 1 |
| 15 | 01703179 | Stationary Barrier | 1 |
| 16 | 03007000001 | Flash Vaporizer Sub-assy | 1 |
| 17 | 02143030 | Tube Clip | 1 |
| 18 | 43130185 | Reactor | 1 |
| 19 | 01253034P | Top Cover | 1 |
| 20 | 0260309601 | Electric Box Cover Sub-Assy | 1 |
| 21 | 10000100253 | Electric Control Box Assy | 1 |
| Not Shown | 30138000134 | Main Control Board | 1 |
| Not Shown | 3900030901 | Temperature Sensor Assembly** | 1 |
| 22 | 01703180 | Motor Support Sub-Assy | 1 |
| 23 | 01303169P | Left Side Plate | 1 |
| 24 | 10333022 | Axial Flow Fan | 1 |

** Temperature Sensor Assembly contains Discharge, Condenser Coil and Ambient sensors.

CROWN12HP230V1AH

12,000 BTUH 208/230v Indoor Unit

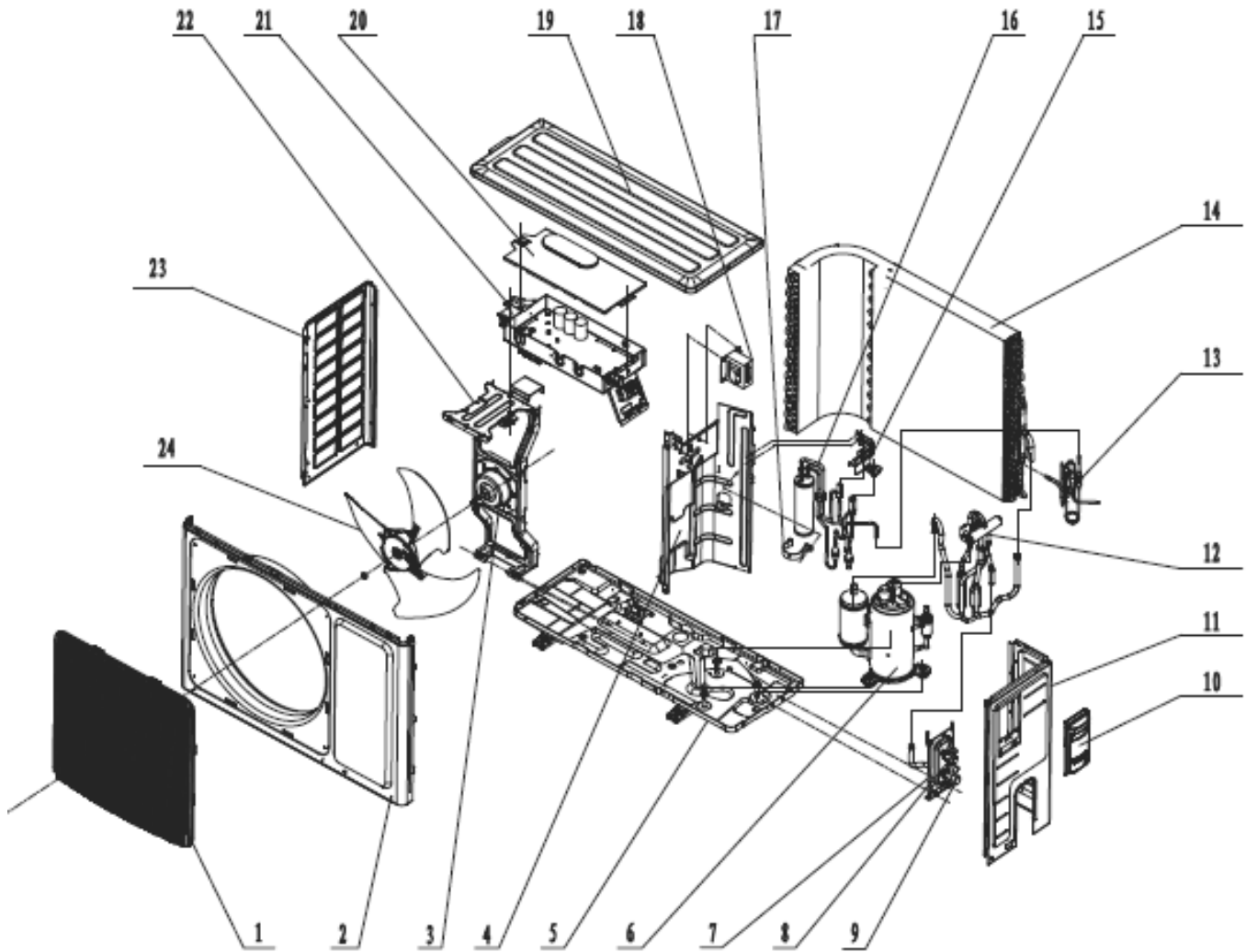


CROWN12HP230V1AH
12,000 BTUH 208/230v Indoor Unit
Product Code: GWH12UC-D3DNA4A/I

| NO. | Part Code | Part Description | Qty |
|-----------|-------------|--|-----|
| 1 | 10512916 | Guide Louver | 1 |
| 2 | 27219901961 | Front Panel | 1 |
| 3 | 10582150P | Stand Bar | 1 |
| 4 | 26112361P | Left Side Plate | 1 |
| 5 | 20192600 | Left Decorative Board | 1 |
| 6 | 2011220101 | Left Driving Box Sub-Assy | 1 |
| 7 | 20192602 | Decorative Strip (Up) | 1 |
| 8 | 20122193P | Cover Plate (Air Outlet) | 1 |
| 9 | 11122155 | Air Filter | 2 |
| 10 | 10352054 | Cross Flow Fan | 1 |
| 11 | 26152022 | Bearing Ring | 1 |
| 12 | 7651205102 | Bearing O-Gasket Sub-Assy | 1 |
| 13 | 00000100057 | Rear Case Assy | 1 |
| 14 | 24212170 | Evaporator Support | 1 |
| 15 | 01100100177 | Evaporator Coil Assy | 1 |
| 16 | 26112359 | Breakwater | 1 |
| 17 | 01252040 | Wall Mounting Bracket | 1 |
| 18 | 15012466 | Fan Motor | 1 |
| 19 | 2611216401 | Drainage Pipe Clamp | 1 |
| 20 | 05230014 | Drainage Hose | 1 |
| 21 | 26112360 | Motor Press Plate | 1 |
| 22 | 10000201382 | Electric Control Box Assy | 1 |
| 23 | 30070049 | Wi-Fi Module | 1 |
| 24 | 30138001220 | Main Control Board | 1 |
| 25 | 4202021914 | Configuration Jumper | 1 |
| Not Shown | 390000455 | Ambient Temperature Sensor | 1 |
| Not Shown | 390000594 | Indoor Coil Temperature Sensor | 1 |
| 26 | 01592131 | Electric Box Shield Cover Sub-Assy | 1 |
| 28 | 30568247 | Display Board | 1 |
| 29 | 10512336 | Air Louver | 1 |
| 30 | 26112560 | Helicoid Tongue sub-Assy | 1 |
| 31 | 10512766 | Air Louver | 2 |
| 33 | 2011220001 | Right Driving Box Sub-Assy | 1 |
| 34 | 15002021 | Louver Motor Sub-Assy (Left and Right) | 1 |
| 35 | 20192601 | Right Decorative Board | 1 |
| 36 | 26112362P | Right Side Plate | 1 |
| 37 | 00000200048 | Front Case Assy | 1 |
| 38 | 24252029P | Screw Cover | 3 |
| 39 | 00001300010 | Electric Box Cover Sub-Assy | 1 |
| 42 | 30510568 | Remote Controller (SAA1FB1F) | 1 |
| Not Shown | 20120048 | Remote Controller Holder/Cradle | 1 |
| Not Shown | 06643011 | Pipe Adaptor 1/2-in to 3/8-in | 1 |

CROWN12HP230V1AO

12,000 BTUH 208/230v Outdoor Unit



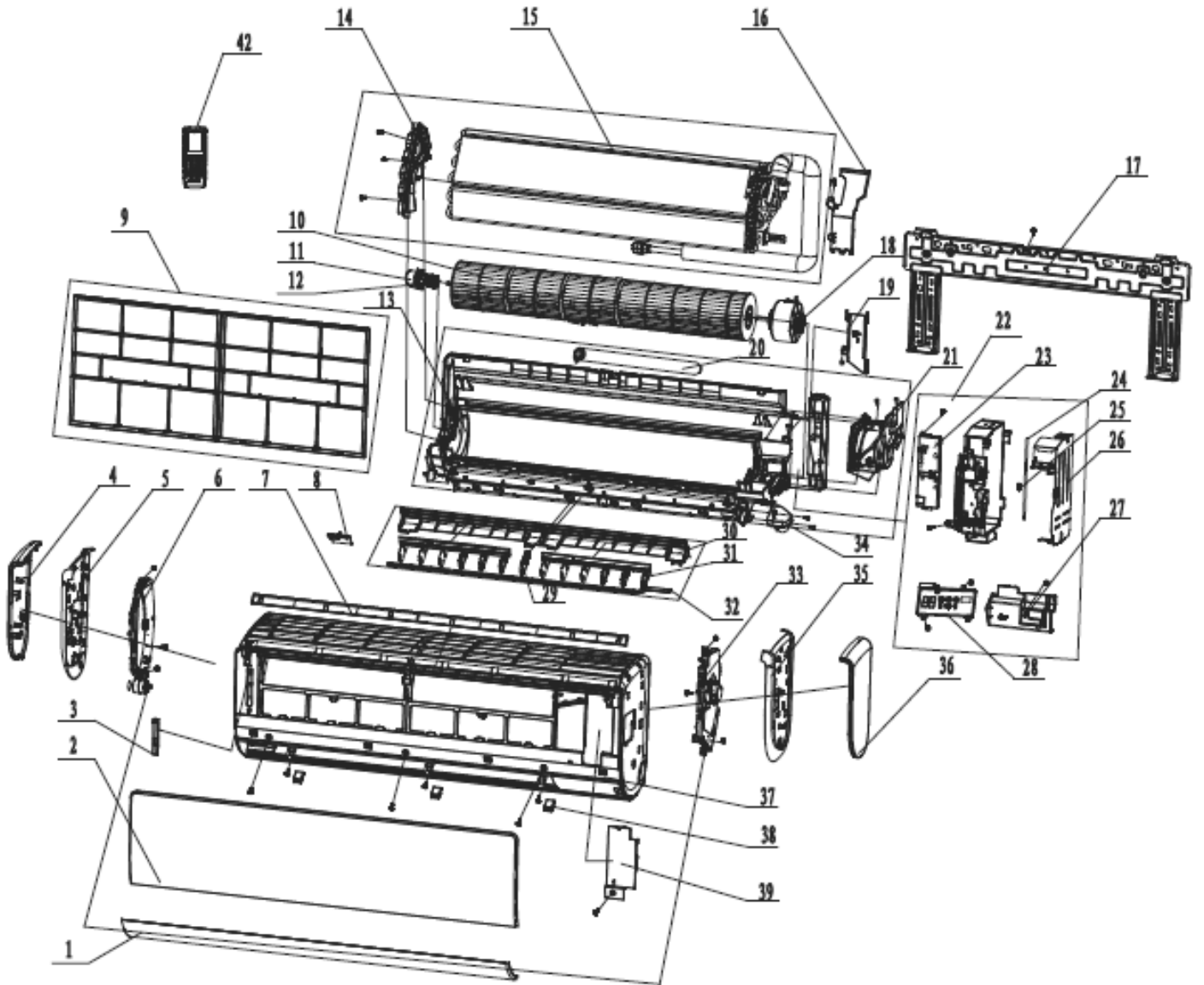
CROWN12HP230V1AO
12,000 BTUH 208/230v Outdoor Unit
Product Code: GWH12UC-D3DNA4A/O

| NO. | Part Code | Part Description | Qty |
|-----------|-------------|--|-----|
| 1 | 01473065 | Front Grille | 1 |
| 2 | 0153305104 | Front Panel Assy | 1 |
| Not Shown | 76510004 | Basepan Heater | 1 |
| 3 | 1501308507 | Fan Motor | 1 |
| 4 | 01233510 | Clapboard | 1 |
| 5 | 0280311901P | Chassis Sub-Assy | 1 |
| 6 | 00103899 | Compressor and Fittings | 1 |
| Not Shown | 00183032 | Compressor Overload Protector(External) | 1 |
| Not Shown | 00183031 | Compressor Overload Protector(External) | 1 |
| Not Shown | 00180030 | Compressor Overload Protector(External) | 1 |
| 7 | 01713115P | Valve Support Sub-Assy | 1 |
| 8 | 0713376301 | Cut off Valve Sub-Assy | 1 |
| Not Shown | 07130239 | 1/4-in Liquid Line Valve | 1 |
| 9 | 0710307901 | 1/2-in Gas/Suction Valve | 1 |
| Not Shown | 07133909 | Electronic Expansion Valve | 1 |
| Not Shown | 4300876704 | Electronic Expansion Valve Solenoid Coil | 1 |
| 11 | 0130510002P | Right Side Plate | 1 |
| Not Shown | 430004032 | 4-Way Valve | 1 |
| 12 | 03073225 | 4-Way Valve Assy | 1 |
| Not Shown | 4300040047 | 4-Way Valve Solenoid Coil | 1 |
| 13 | 03163311 | Capillary Sub-Assy | 1 |
| 14 | 01163936 | Condenser Coil Assy | 1 |
| 15 | 01703179 | Stationary Barrier | 1 |
| 16 | 03007000001 | Flash Vaporizer Sub-assy | 1 |
| 17 | 02143030 | Tube Clip | 1 |
| 18 | 43130185 | Reactor | 1 |
| 19 | 01253034P | Top Panel | 1 |
| 20 | 0260309601 | Electric Box Cover Sub-Assy | 1 |
| 21 | 10000100221 | Electric Control Box Assy | 1 |
| Not Shown | 30138000135 | Main Control Board | 1 |
| Not Shown | 3900030901 | Temperature Sensor Assembly** | 1 |
| 22 | 01703180 | Motor Support Sub-Assy | 1 |
| 23 | 01303169P | Left Side Plate | 1 |
| 24 | 10333022 | Axial Flow Fan | 1 |

** Temperature Sensor Assembly contains Discharge, Condenser Coil and Ambient sensors.

CROWN18HP230V1AH

18,000 BTUH 230v Indoor Unit

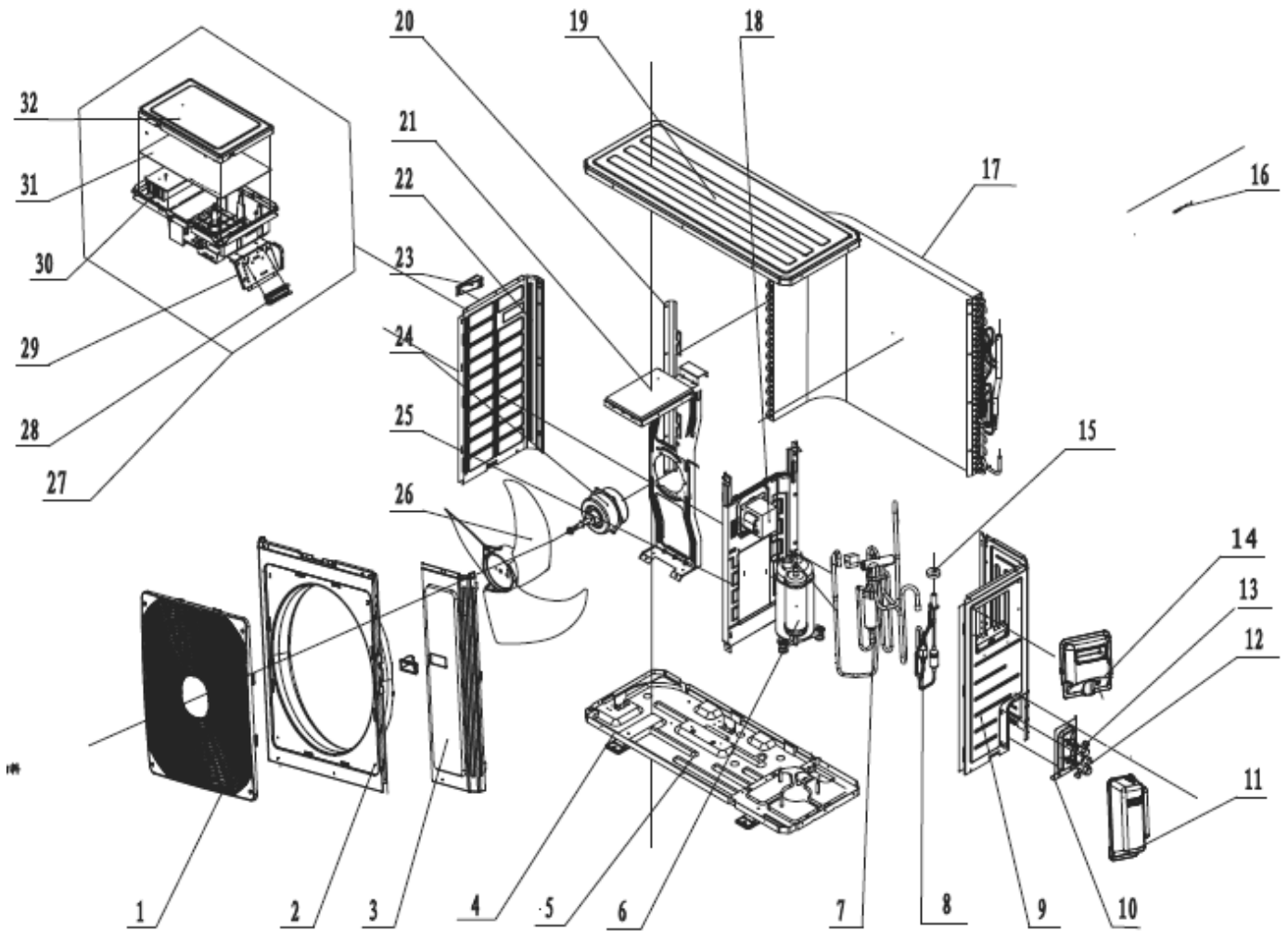


CROWN18HP230V1AH
18,000 BTUH 230v Indoor Unit
Product Code: GWH18UC-D3DNA4A/I

| NO. | Part Code | Part Description | Qty |
|-----------|-------------|--|-----|
| 1 | 10512916 | Guide Louver | 1 |
| 2 | 27219901961 | Front Panel | 1 |
| 3 | 10582150P | Stand Bar | 1 |
| 4 | 26112361P | Left Side Plate | 1 |
| 5 | 20192600 | Left Decorative Board | 1 |
| 6 | 2011220101 | Left Driving Box Sub-Assy | 1 |
| 7 | 20192602 | Decorative Strip (Up) | 1 |
| 8 | 20122193P | Cover plate (Air Outlet) | 1 |
| 9 | 11122155 | Air Filter | 2 |
| 10 | 10352054 | Cross Flow Fan | 1 |
| 11 | 26152022 | Bearing Ring | 1 |
| 12 | 7651205102 | Bearing O-Gasket Sub-Assy | 1 |
| 13 | 00000100057 | Rear Case Assy | 1 |
| 14 | 24212170 | Evaporator Support | 1 |
| 15 | 01100100162 | Evaporator Coil Assy | 1 |
| 16 | 26112359 | Breakwater | 1 |
| 17 | 01252040 | Wall Mounting Bracket | 1 |
| 18 | 15012466 | Fan Motor | 1 |
| 19 | 2611216401 | Drainage Pipe Clamp | 1 |
| 20 | 05230014 | Drainage Hose | 1 |
| 21 | 26112360 | Motor Press Plate | 1 |
| 22 | 10000201383 | Electric Control Box Assy | 1 |
| 23 | 30070049 | Wi-Fi Module | 1 |
| 24 | 30138001220 | Main Control Board | 1 |
| 25 | 4202021919 | Configuration Jumper | 1 |
| Not Shown | 390000455 | Ambient Temperature Sensor | 1 |
| Not Shown | 390000594 | Indoor Coil Temperature Sensor | 1 |
| 26 | 01592131 | Electric Box Shield Cover Sub-Assy | 1 |
| 28 | 30568247 | Display Board | 1 |
| 29 | 10512336 | Air Louver | 1 |
| 30 | 26112560 | Helicoid Tongue Sub-Assy | 1 |
| 31 | 10512766 | Air Louver | 2 |
| 33 | 2011220001 | Right Driving Box Sub-Assy | 1 |
| 34 | 15002021 | Louver Motor Sub-Assy (Left and Right) | 1 |
| 35 | 20192601 | Right Decorative Board | 1 |
| 36 | 26112362P | Right Side Plate | 1 |
| 37 | 00000200048 | Front Case Assy | 1 |
| 38 | 24252029P | Screw Cover | 3 |
| 39 | 00001300010 | Electric Box Cover Sub-Assy | 1 |
| 42 | 30510568 | Remote Controller (SAA1FB1F) | 1 |
| Not Shown | 20120048 | Remote Controller Holder/Cradle | 1 |
| Not Shown | 06642040 | Pipe Adaptor 5/8-in to 1/2-in | 1 |

CROWN18HP230V1AO

18,000 BTUH 230v Outdoor Unit



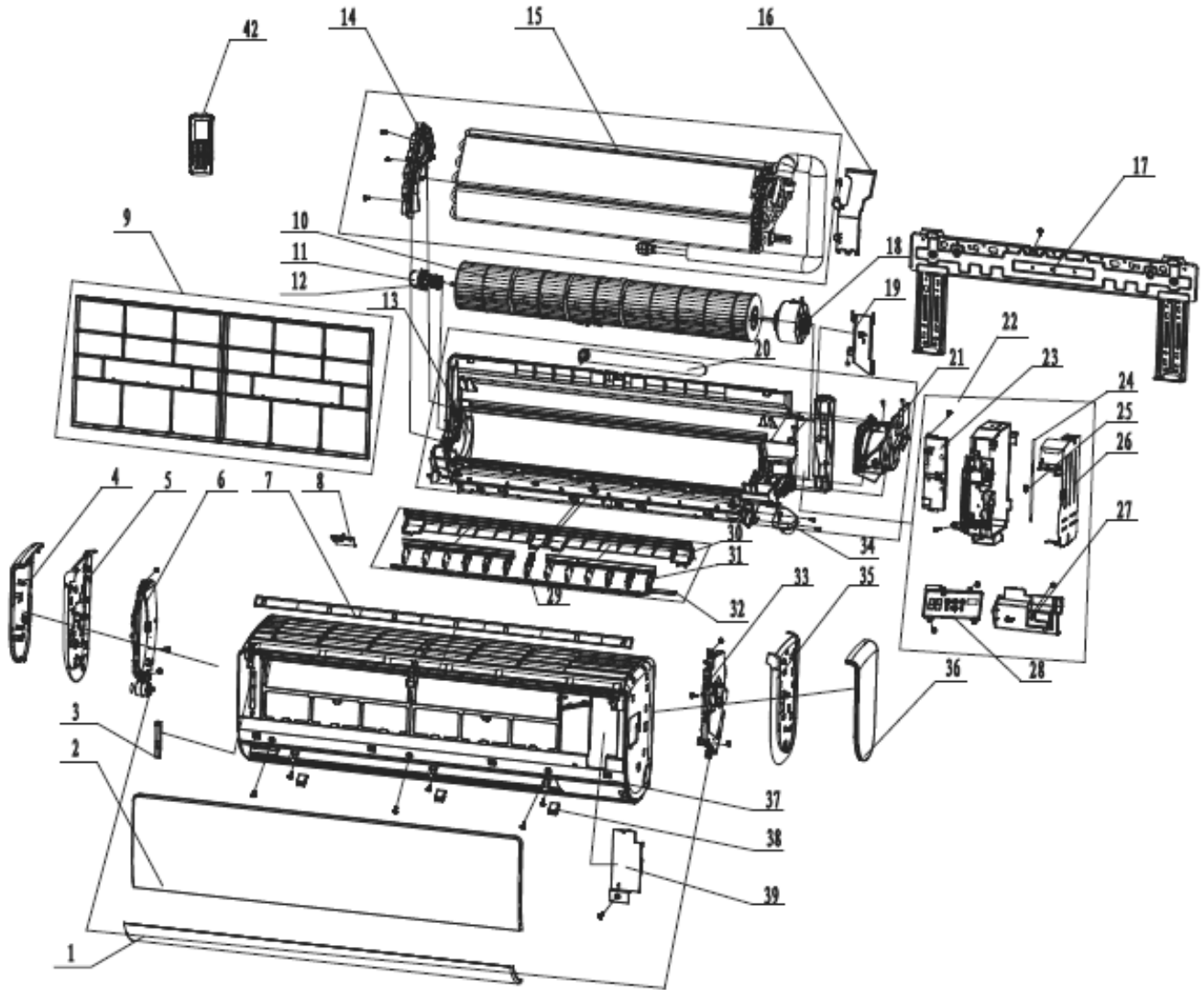
CROWN18HP230V1AO
18,000 BTUH 230v Outdoor Unit
Product Code: GWH18UC-D3DNA4A/O

| NO. | Part Code | Part Description | Qty |
|-----------|-------------|--|-----|
| 1 | 01473050 | Front Grille | 1 |
| 2 | 0153501405 | Front Panel Assy | 1 |
| 3 | 01303249P | Front Side Plate Sub-Assy | 1 |
| 4 | 02803315P | Chassis Sub-Assy | 1 |
| 5 | 7651000411 | Base Pan Heater | 1 |
| 6 | 00105251 | Compressor and Fittings | 1 |
| Not Shown | 00180030 | Compressor Overload Protector(External) | 1 |
| Not Shown | 00183051 | Compressor Overload Protector(External) | 1 |
| Not Shown | 00183032 | Compressor Overload Protector(External) | 1 |
| Not Shown | 4300008201 | 4-Way Valve | 1 |
| 7 | 03025497 | 4-Way Valve Assy | 1 |
| Not Shown | 03000600311 | Capillary Sub-Assy | 1 |
| Not Shown | 07133909 | Electronic Expansion Valve | 1 |
| 8 | 03017400017 | Electronic Expansion Valve Assy | 1 |
| Not Shown | 4300876704 | Electronic Expansion Valve Solenoid Coil | 1 |
| 9 | 0130504402P | Right Side Plate | 1 |
| 10 | 0170506101P | Valve Support Sub-Assy | 1 |
| 11 | 22245003 | Valve Cover | 1 |
| Not Shown | 07130239 | 1/4-in Liquid Line Valve | 1 |
| 12 | 713517901 | 5/8-in Gas/Suction Valve | 1 |
| 13 | 07133934 | Cut off Valve Sub-Assy | 1 |
| 14 | 02115005 | Big Handle | 1 |
| 15 | 4300040045 | 4-Way Valve Solenoid Coil | 1 |
| 16 | 3900030901 | Temperature Sensor Assembly** | 1 |
| 17 | 01100200326 | Condenser Coil Assy | 1 |
| 18 | 43130024 | Reactor | 1 |
| 19 | 01255015 | Top Cover Sub-Assy | 1 |
| 20 | 01175092 | Condenser Support Plate | 1 |
| 21 | 01705038 | Motor Support Assy | 1 |
| 22 | 01305043P | Left Side Plate | 1 |
| 24 | 1501403402 | Fan Motor | 1 |
| 25 | 01235091 | Clapboard Sub-Assy | 1 |
| 26 | 10335013 | Axial Flow Fan | 1 |
| 27 | 10000100222 | Electric Control Box Assy | 1 |
| 28 | 4201025501 | Terminal Board | 1 |
| 29 | 01715016 | Terminal Board Support sub-Assy | 1 |
| 30 | 49015215 | Radiator | 1 |
| 31 | 30138000652 | Main Control Board | 1 |
| 32 | 20125002 | Electric Control Box Cover | 1 |

** Temperature Sensor Assembly contains Discharge, Condenser Coil and Ambient sensors.

CROWN09HP230V1BH

9,000 BTUH 230v Indoor Unit

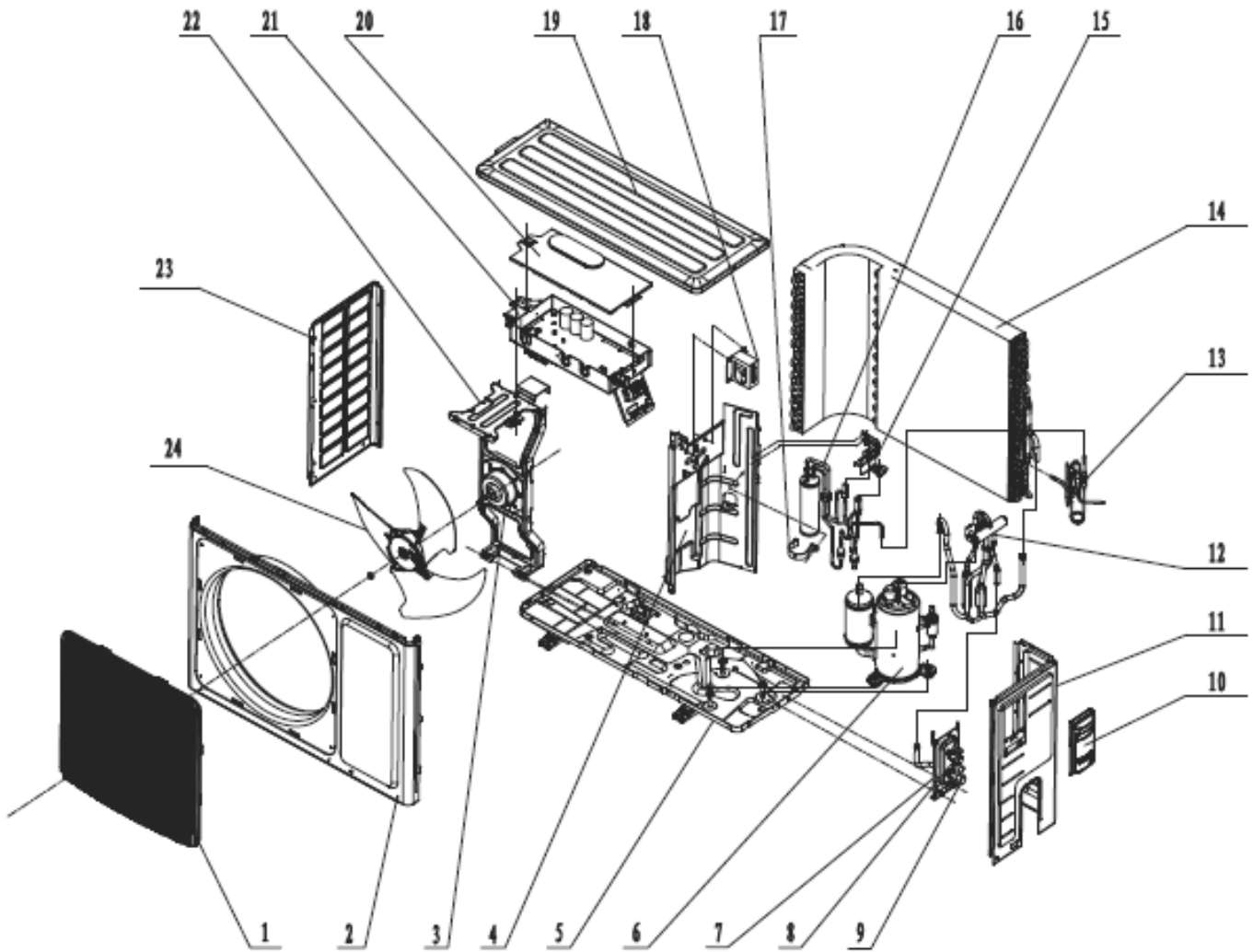


CROWN09HP230V1BH
9,000 BTUH 230v Indoor Unit
Product Code: GWH09UC-D3DNA4C/I

| NO. | Part Code | Part Description | Qty |
|-----------|-----------------|--|-----|
| 1 | 10512916 | Guide Louver | 1 |
| 2 | 27219902530 | Front Panel | 1 |
| 3 | 10582150P | Stand Bar | 1 |
| 4 | 26112361P | Left Side Plate | 1 |
| 5 | 20192600D | Left Decorative Board | 1 |
| 6 | 2011220101 | Left Driving Box Sub-Assy | 1 |
| 7 | 20192602D | Decorative Strip (Up) | 1 |
| 8 | 20122193P | Cover Plate (Air Outlet) | 1 |
| 9 | 11122155 | Air Filter | 2 |
| 10 | 10352054 | Cross Flow Fan | 1 |
| 11 | 26152022 | Bearing Ring | 1 |
| 12 | 7651205102 | Bearing O-Gasket Sub-Assy | 1 |
| 13 | 00000100057 | Rear Case Assy | 1 |
| 14 | 24212170 | Evaporator Support | 1 |
| 15 | 01100100177 | Evaporator Coil Assy | 1 |
| 16 | 26112359 | Breakwater | 1 |
| 17 | 01252040 | Wall Mounting Bracket | 1 |
| 18 | 15012466 | Fan Motor | 1 |
| 19 | 2611216401 | Drainage Pipe Clamp | 1 |
| 20 | 05230014 | Drainage Hose | 1 |
| 21 | 26112360 | Motor Press Plate | 1 |
| 22 | 10000204264 | Electric Control Box Assy | 1 |
| 23 | 30070049 | Wi-Fi Module | 1 |
| 24 | 30138000611 | Main Control Board | 1 |
| 25 | 4202021916 | Configuration Jumper | 1 |
| Not Shown | 390000455 | Ambient Temperature Sensor | 1 |
| Not Shown | 390000594 | Indoor Coil Temperature Sensor | 1 |
| 26 | 01592131 | Electric Box Shield Cover Sub-assy | 1 |
| 28 | 30568247 | Display Board | 1 |
| 29 | 10512336 | Air Louver | 1 |
| 30 | 26112560 | Helicoid Tongue Sub-Assy | 1 |
| 31 | 10512766 | Air Louver | 2 |
| 32 | None | Swing Lever | 0 |
| 33 | 2011220001 | Right Driving Box Sub-Assy | 1 |
| 34 | 15002021 | Louver Motor Sub-Assy (Left and Right) | 1 |
| 35 | 20192601D | Right Decorative Board | 1 |
| 36 | 26112362P | Right Side Plate | 1 |
| 37 | 00000200048 | Front Case Assy | 1 |
| 38 | 24252029P | Screw Cover | 3 |
| 39 | 00001300010 | Electric Box Cover Sub-Assy | 1 |
| 42 | 30510568_L64264 | Remote Controller (SAA1FB1F) | 1 |
| Not Shown | 20120048 | Remote Controller Holder/Cradle | 1 |
| Not Shown | 06643011 | Pipe Adaptor 1/2-in to 3/8-in | 1 |

CROWN09HP230V1BO

9,000 BTUH 230v Outdoor Unit



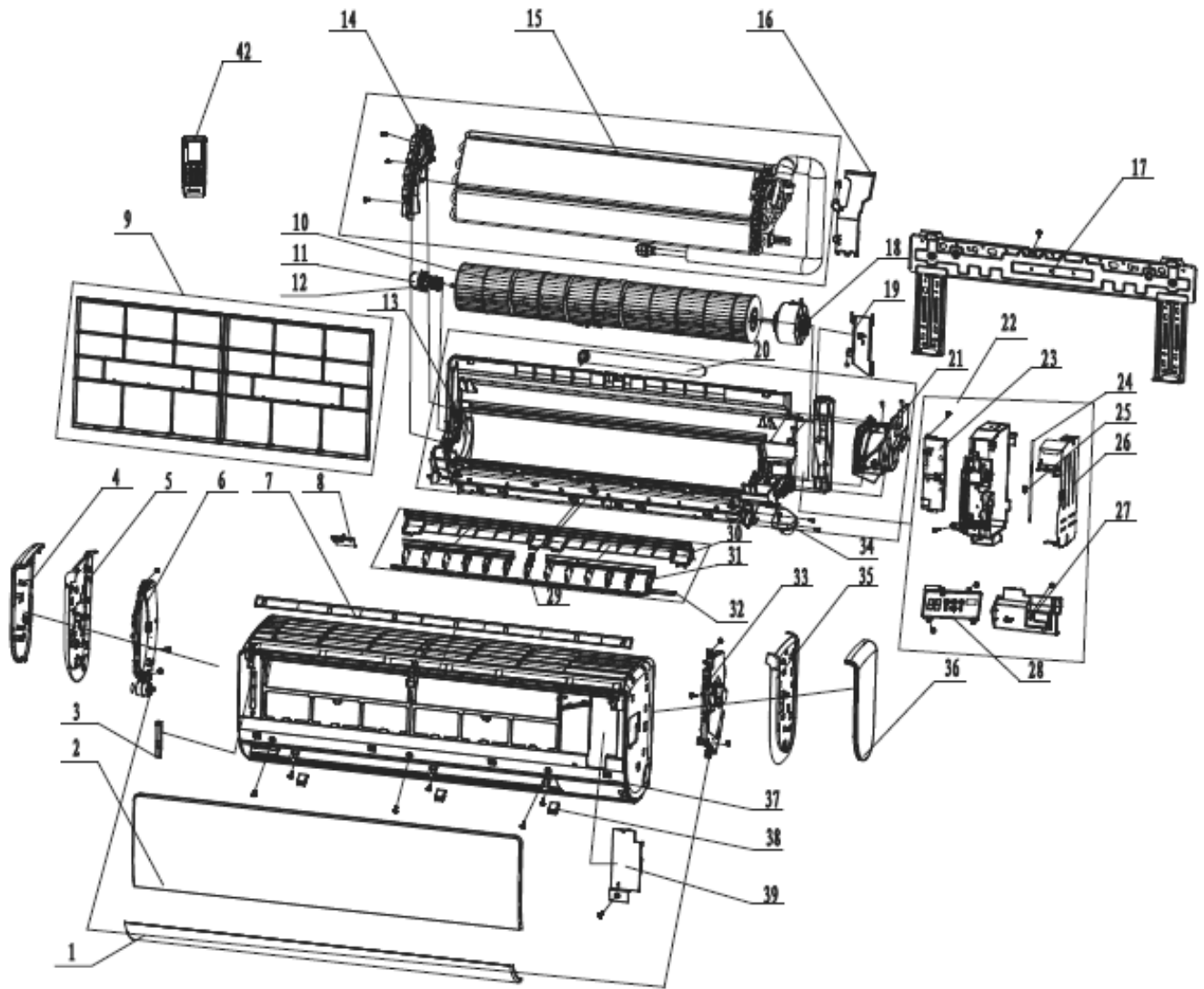
CROWN09HP230V1BO
9,000 BTUH 230v Outdoor Unit
Product Code: GWH09UC-D3DNA4C/O

| NO. | Part Code | Part Description | Qty |
|-----------|-------------|--|-----|
| 1 | 01473065 | Front Grille | 1 |
| 2 | 0153305104 | Front Panel Assy | 1 |
| Not Shown | 76510004 | Basepan Heater | 1 |
| 3 | 1501308507 | Fan Motor | 1 |
| 4 | 01233510 | Clapboard | 1 |
| 5 | 0280311901P | Chassis Sub-Assy | 1 |
| 6 | 00103977 | Compressor and Fittings | 1 |
| Not Shown | 00180030 | Compressor Overload Protector(External) | 1 |
| Not Shown | 00183051 | Compressor Overload Protector(External) | 1 |
| Not Shown | 00183032 | Compressor Overload Protector(External) | 1 |
| 7 | 01713115P | Valve Support Sub-Assy | 1 |
| 8 | 0713376301 | Cut off Valve Sub-Assy | 1 |
| Not Shown | 07130239 | 1/4-in Liquid Line Valve | 1 |
| 9 | 0710307901 | 1/2-in Gas/Suction Valve | 1 |
| Not Shown | 07133909 | Electronic Expansion Valve | 1 |
| Not Shown | 4300876704 | Electronic Expansion Valve Solenoid Coil | 1 |
| 11 | 0130510002P | Right Side Plate | 1 |
| Not Shown | 430004032 | 4-Way Valve | 1 |
| 12 | 03073360 | 4-Way Valve Assy | 1 |
| Not Shown | 4300040047 | 4-Way Valve Solenoid Coil | 1 |
| 13 | 03000600305 | Capillary Sub-assy | 1 |
| 14 | 01100200318 | Condenser Coil Assy | 1 |
| 15 | 01703179 | Stationary Barrier | 1 |
| 16 | 03007000001 | Flash Vaporizer Sub-assy | 1 |
| 17 | 02143030 | Tube Clip | 1 |
| 18 | 43130185 | Reactor | 1 |
| 19 | 01253034P | Top Cover | 1 |
| 20 | 0260309601 | Electric Box Cover Sub-Assy | 1 |
| 21 | 10000100253 | Electric Control Box Assy | 1 |
| Not Shown | 30138000134 | Main Control Board | 1 |
| Not Shown | 3900030901 | Temperature Sensor Assembly** | 1 |
| 22 | 01703180 | Motor Support Sub-Assy | 1 |
| 23 | 01303169P | Left Side Plate | 1 |
| 24 | 10333022 | Axial Flow Fan | 1 |

** Temperature Sensor Assembly contains Discharge, Condenser Coil and Ambient sensors.

CROWN12HP230V1BH

12,000 BTUH 208/230v Indoor Unit

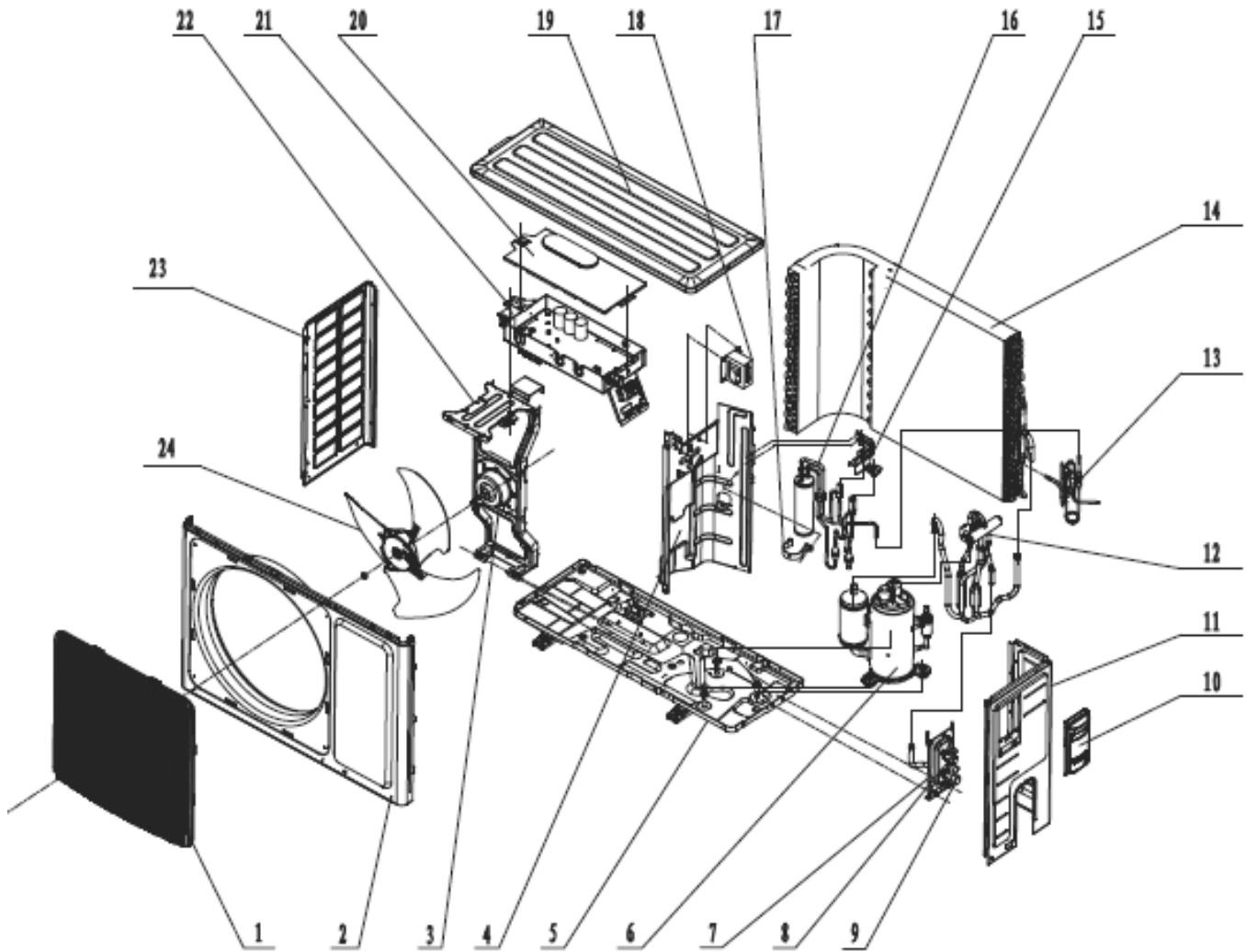


CROWN12HP230V1BH
12,000 BTUH 208/230v Indoor Unit
Product Code: GWH12UC-D3DNA4C/I

| NO. | Part Code | Part Description | Qty |
|-----------|-----------------|--|-----|
| 1 | 10512916 | Guide Louver | 1 |
| 2 | 27219902530 | Front Panel | 1 |
| 3 | 10582150P | Stand Bar | 1 |
| 4 | 26112361P | Left Side Plate | 1 |
| 5 | 20192600D | Left Decorative Board | 1 |
| 6 | 2011220101 | Left Driving Box Sub-Assy | 1 |
| 7 | 20192602D | Decorative Strip (Up) | 1 |
| 8 | 20122193P | Cover Plate (Air Outlet) | 1 |
| 9 | 11122155 | Air Filter | 2 |
| 10 | 10352054 | Cross Flow Fan | 1 |
| 11 | 26152022 | Bearing Ring | 1 |
| 12 | 7651205102 | Bearing O-Gasket Sub-Assy | 1 |
| 13 | 00000100057 | Rear Case Assy | 1 |
| 14 | 24212170 | Evaporator Support | 1 |
| 15 | 01100100177 | Evaporator Coil Assy | 1 |
| 16 | 26112359 | Breakwater | 1 |
| 17 | 01252040 | Wall Mounting Bracket | 1 |
| 18 | 15012466 | Fan Motor | 1 |
| 19 | 2611216401 | Drainage Pipe Clamp | 1 |
| 20 | 05230014 | Drainage Hose | 1 |
| 21 | 26112360 | Motor Press Plate | 1 |
| 22 | 10000204262 | Electric Control Box Assy | 1 |
| 23 | 30070049 | Wi-Fi Module | 1 |
| 24 | 30138000611 | Main Control Board | 1 |
| 25 | 4202021914 | Configuration Jumper | 1 |
| Not Shown | 390000455 | Ambient Temperature Sensor | 1 |
| Not Shown | 390000594 | Indoor Coil Temperature Sensor | 1 |
| 26 | 01592131 | Electric Box Shield Cover Sub-Assy | 1 |
| 28 | 30568247 | Display Board | 1 |
| 29 | 10512336 | Air Louver | 1 |
| 30 | 26112560 | Helicoid Tongue sub-Assy | 1 |
| 31 | 10512766 | Air Louver | 2 |
| 33 | 2011220001 | Right Driving Box Sub-Assy | 1 |
| 34 | 15002021 | Louver Motor Sub-Assy (Left and Right) | 1 |
| 35 | 20192601D | Right Decorative Board | 1 |
| 36 | 26112362P | Right Side Plate | 1 |
| 37 | 00000200048 | Front Case Assy | 1 |
| 38 | 24252029P | Screw Cover | 3 |
| 39 | 2012219701 | Electric Box Cover Sub-Assy | 1 |
| 42 | 30510568_L64264 | Remote Controller (SAA1FB1F) | 1 |
| Not Shown | 20120048 | Remote Controller Holder/Cradle | 1 |
| Not Shown | 06643011 | Pipe Adaptor 1/2-in to 3/8-in | 1 |

CROWN12HP230V1BO

12,000 BTUH 208/230v Outdoor Unit



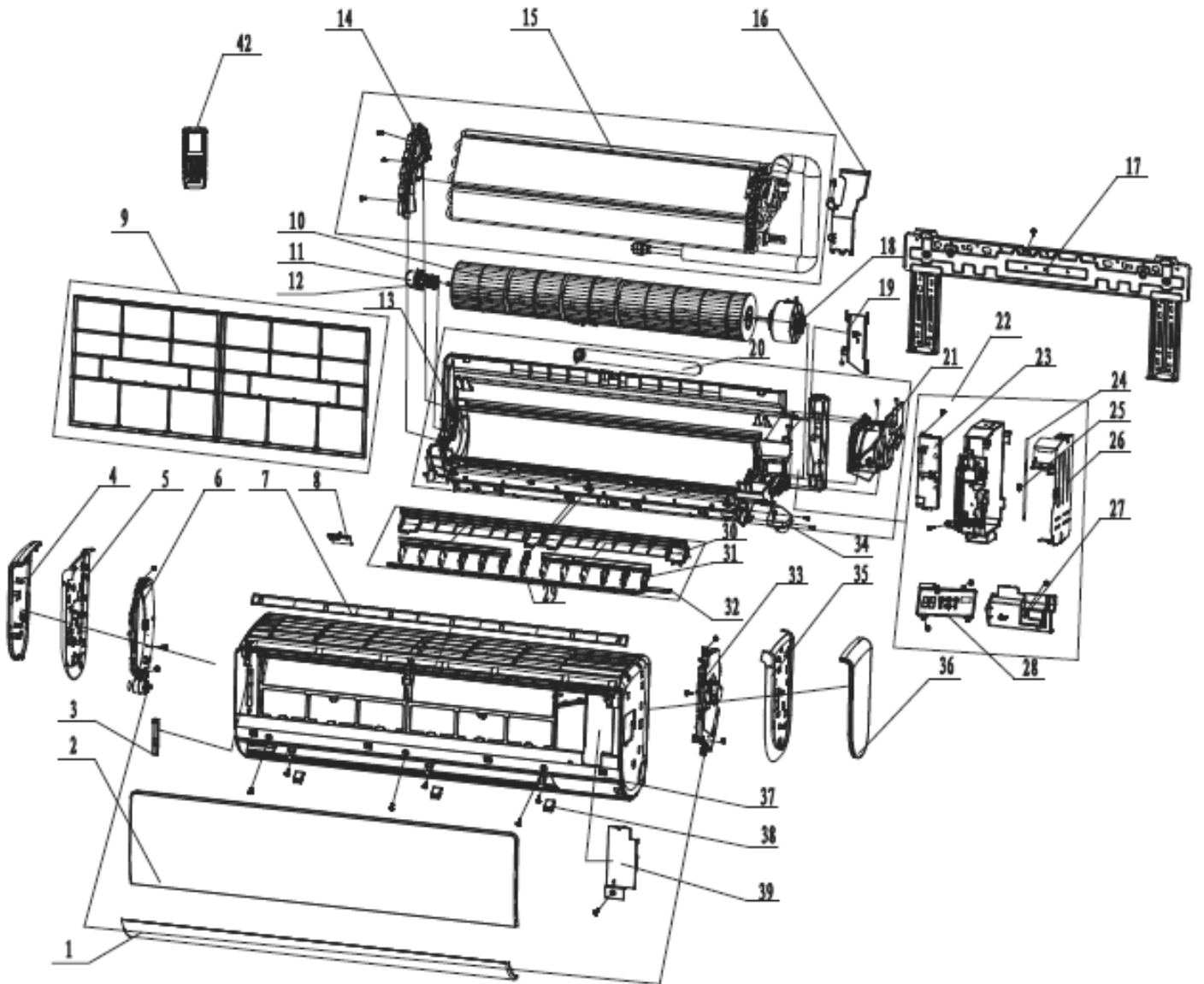
CROWN12HP230V1BO
12,000 BTUH 208/230v Outdoor Unit
Product Code: GWH12UC-D3DNA4C/O

| NO. | Part Code | Part Description | Qty |
|-----------|-------------|--|-----|
| 1 | 01473065 | Front Grille | 1 |
| 2 | 0153305104 | Front Panel Assy | 1 |
| Not Shown | 76510004 | Basepan Heater | 1 |
| 3 | 1501308507 | Fan Motor | 1 |
| 4 | 01233510 | Clapboard | 1 |
| 5 | 0280311901P | Chassis Sub-Assy | 1 |
| 6 | 00103899 | Compressor and Fittings | 1 |
| Not Shown | 00183032 | Compressor Overload Protector(External) | 1 |
| Not Shown | 00183031 | Compressor Overload Protector(External) | 1 |
| Not Shown | 00180030 | Compressor Overload Protector(External) | 1 |
| 7 | 01713115P | Valve Support Sub-Assy | 1 |
| 8 | 0713376301 | Cut off Valve Sub-Assy | 1 |
| Not Shown | 07130239 | 1/4-in Liquid Line Valve | 1 |
| 9 | 0710307901 | 1/2-in Gas/Suction Valve | 1 |
| Not Shown | 07133909 | Electronic Expansion Valve | 1 |
| Not Shown | 4300876704 | Electronic Expansion Valve Solenoid Coil | 1 |
| 11 | 0130510002P | Right Side Plate | 1 |
| Not Shown | 430004032 | 4-Way Valve | 1 |
| 12 | 03073225 | 4-Way Valve Assy | 1 |
| Not Shown | 4300040047 | 4-Way Valve Solenoid Coil | 1 |
| 13 | 03163311 | Capillary Sub-Assy | 1 |
| 14 | 01163936 | Condenser Coil Assy | 1 |
| 15 | 01703179 | Stationary Barrier | 1 |
| 16 | 03007000001 | Flash Vaporizer Sub-assy | 1 |
| 17 | 02143030 | Tube Clip | 1 |
| 18 | 43130185 | Reactor | 1 |
| 19 | 01253034P | Top Panel | 1 |
| 20 | 0260309601 | Electric Box Cover Sub-Assy | 1 |
| 21 | 10000100221 | Electric Control Box Assy | 1 |
| Not Shown | 30138000135 | Main Control Board | 1 |
| Not Shown | 3900030901 | Temperature Sensor Assembly** | 1 |
| 22 | 01703180 | Motor Support Sub-Assy | 1 |
| 23 | 01303169P | Left Side Plate | 1 |
| 24 | 10333022 | Axial Flow Fan | 1 |

** Temperature Sensor Assembly contains Discharge, Condenser Coil and Ambient sensors.

CROWN18HP230V1BH

18,000 BTUH 230v Indoor Unit

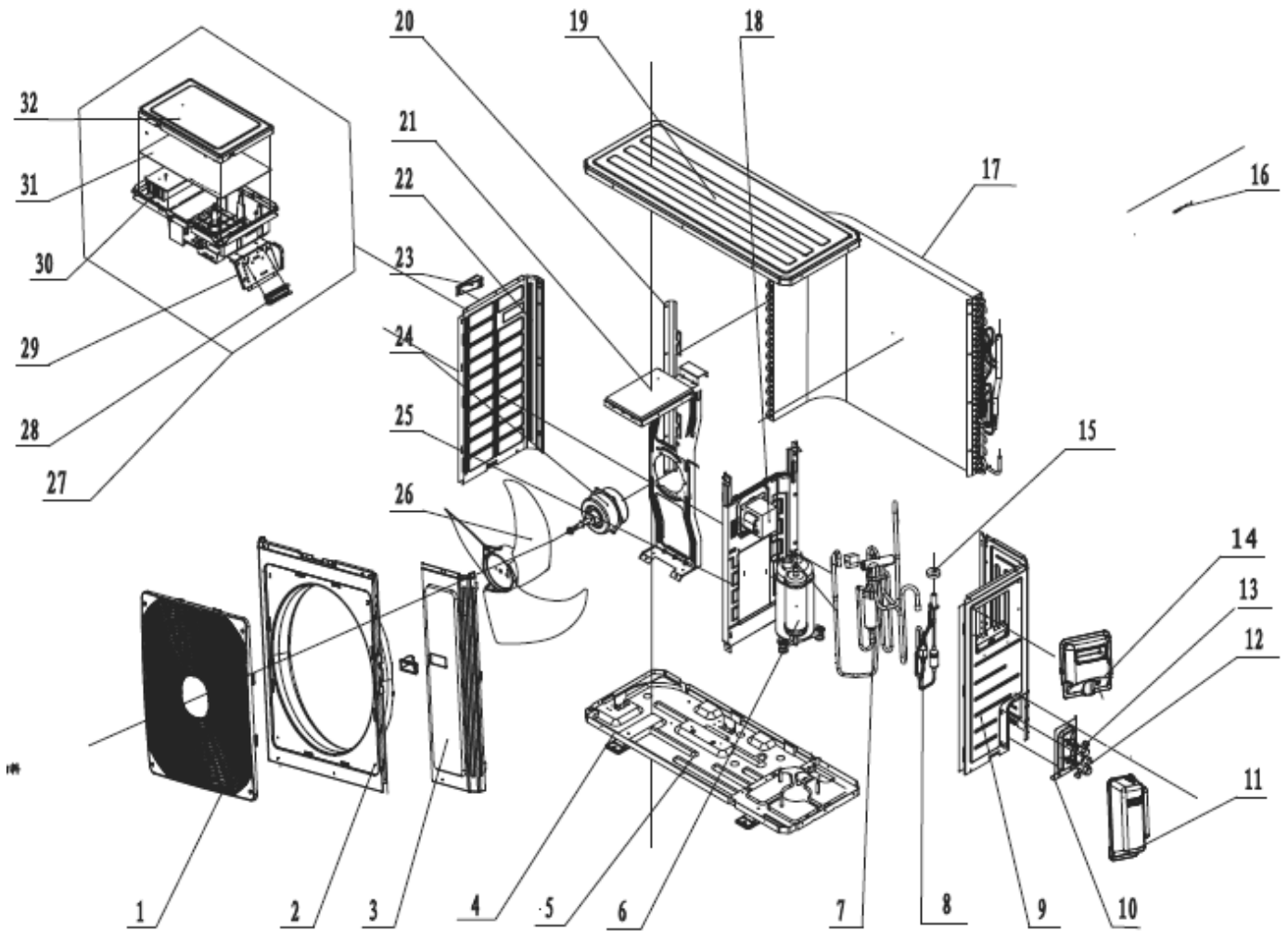


CROWN18HP230V1BH
18,000 BTUH 230v Indoor Unit
Product Code: GWH18UC-D3DNA4C/I

| NO. | Part Code | Part Description | Qty |
|-----------|-----------------|--|-----|
| 1 | 10512916 | Guide Louver | 1 |
| 2 | 27219902530 | Front Panel | 1 |
| 3 | 10582150P | Stand Bar | 1 |
| 4 | 26112361P | Left Side Plate | 1 |
| 5 | 20192600D | Left Decorative Board | 1 |
| 6 | 2011220101 | Left Driving Box Sub-Assy | 1 |
| 7 | 20192602D | Decorative Strip (Up) | 1 |
| 8 | 20122193P | Cover plate (Air Outlet) | 1 |
| 9 | 11122155 | Air Filter | 2 |
| 10 | 10352054 | Cross Flow Fan | 1 |
| 11 | 26152022 | Bearing Ring | 1 |
| 12 | 7651205102 | Bearing O-Gasket Sub-Assy | 1 |
| 13 | 00000100057 | Rear Case Assy | 1 |
| 14 | 24212170 | Evaporator Support | 1 |
| 15 | 01100100162 | Evaporator Coil Assy | 1 |
| 16 | 26112359 | Breakwater | 1 |
| 17 | 01252040 | Wall Mounting Bracket | 1 |
| 18 | 15012466 | Fan Motor | 1 |
| 19 | 2611216401 | Drainage Pipe Clamp | 1 |
| 20 | 05230014 | Drainage Hose | 1 |
| 21 | 26112360 | Motor Press Plate | 1 |
| 22 | 10000204263 | Electric Control Box Assy | 1 |
| 23 | 30110140 | Wi-Fi Module | 1 |
| 24 | 30138000611 | Main Control Board | 1 |
| 25 | 4202021919 | Configuration Jumper | 1 |
| Not Shown | 390000455 | Ambient Temperature Sensor | 1 |
| Not Shown | 390000594 | Indoor Coil Temperature Sensor | 1 |
| 26 | 01592131 | Electric Box Shield Cover Sub-Assy | 1 |
| 28 | 30568247 | Display Board | 1 |
| 29 | 10512336 | Air Louver | 1 |
| 30 | 26112560 | Helicoid Tongue Sub-Assy | 1 |
| 31 | 10512766 | Air Louver | 2 |
| 33 | 2011220001 | Right Driving Box Sub-Assy | 1 |
| 34 | 15002021 | Louver Motor Sub-Assy (Left and Right) | 1 |
| 35 | 20192601D | Right Decorative Board | 1 |
| 36 | 26112362P | Right Side Plate | 1 |
| 37 | 00000200048 | Front Case Assy | 1 |
| 38 | 24252029P | Screw Cover | 3 |
| 39 | 00001300010 | Electric Box Cover Sub-Assy | 1 |
| 42 | 30510568_L64264 | Remote Controller (SAA1FB1F) | 1 |
| Not Shown | 20120048 | Remote Controller Holder/Cradle | 1 |
| Not Shown | 06642040 | Pipe Adaptor 5/8-in to 1/2-in | 1 |

CROWN18HP230V1BO

18,000 BTUH 230v Outdoor Unit



CROWN18HP230V1BO
18,000 BTUH 230v Outdoor Unit
Product Code: GWH18UC-D3DNA4C/O

| NO. | Part Code | Part Description | Qty |
|-----------|----------------|--|-----|
| 1 | 01473050 | Front Grille | 1 |
| 2 | 0153501405 | Front Panel Assy | 1 |
| 3 | 01303249P | Front Side Plate Sub-Assy | 1 |
| 4 | 02803315P | Chassis Sub-Assy | 1 |
| 5 | 7651000411 | Base Pan Heater | 1 |
| 6 | 00105251 | Compressor and Fittings | 1 |
| Not Shown | 00180030 | Compressor Overload Protector(External) | 1 |
| Not Shown | 00183051 | Compressor Overload Protector(External) | 1 |
| Not Shown | 00183032 | Compressor Overload Protector(External) | 1 |
| Not Shown | 4300008201 | 4-Way Valve | 1 |
| 7 | 030152000081 | 4-Way Valve Assy | 1 |
| Not Shown | 03000600311 | Capillary Sub-Assy | 1 |
| Not Shown | 07133909 | Electronic Expansion Valve | 1 |
| 8 | 03017400017 | Electronic Expansion Valve Assy | 1 |
| Not Shown | 4300876704 | Electronic Expansion Valve Solenoid Coil | 1 |
| 9 | 0130504402P | Right Side Plate | 1 |
| 10 | 0170506101P | Valve Support Sub-Assy | 1 |
| 11 | 22245003 | Valve Cover | 1 |
| Not Shown | 07130239 | 1/4-in Liquid Line Valve | 1 |
| 12 | 713517901 | 5/8-in Gas/Suction Valve | 1 |
| 13 | 07133934 | Cut off Valve Sub-Assy | 1 |
| 14 | 02115005 | Big Handle | 1 |
| 15 | 4304000415 | 4-Way Valve Solenoid Coil | 1 |
| 16 | 3900030901 | Temperature Sensor Assembly** | 1 |
| 17 | 01100200326 | Condenser Coil Assy | 1 |
| 18 | 43130024 | Reactor | 1 |
| 19 | 01255015 | Top Cover Sub-Assy | 1 |
| 20 | 01175092 | Condenser Support Plate | 1 |
| 21 | 000046000019 | Motor Support Assy | 1 |
| 22 | 01305043P | Left Side Plate | 1 |
| 24 | 15010400000102 | Fan Motor | 1 |
| 25 | 01235091 | Clapboard Sub-Assy | 1 |
| 26 | 10335013 | Axial Flow Fan | 1 |
| 27 | 10000100222 | Electric Control Box Assy | 1 |
| 28 | 42010255 | Terminal Board | 1 |
| 29 | 01715016 | Terminal Board Support sub-Assy | 1 |
| 30 | 49015215 | Radiator | 1 |
| 31 | 30138000652 | Main Control Board | 1 |
| 32 | 20125002 | Electric Control Box Cover | 1 |

** Temperature Sensor Assembly contains Discharge, Condenser Coil and Ambient sensors.