

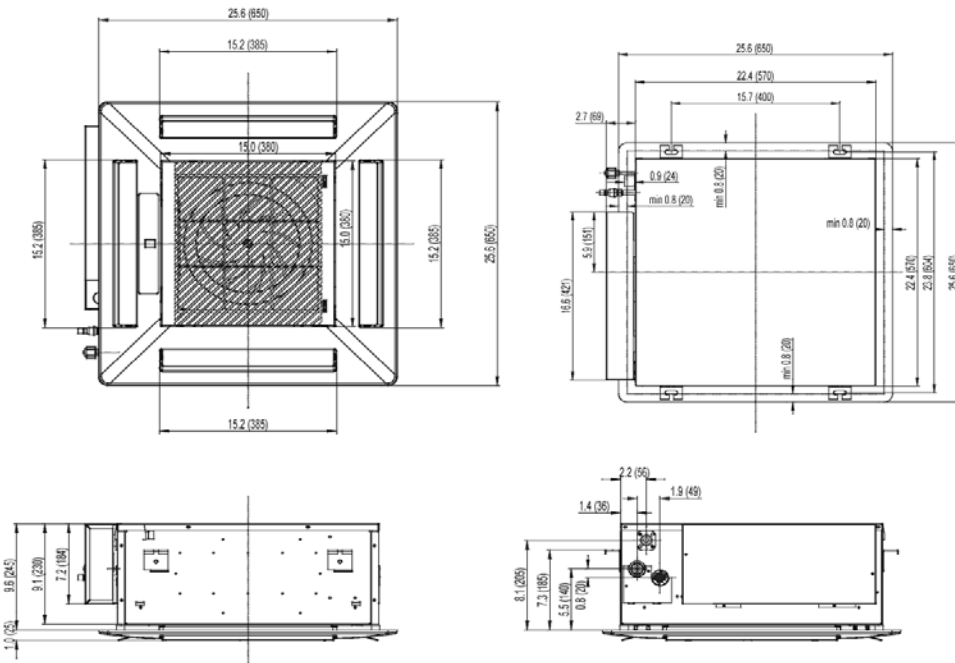
<b>Submittal Data: CAS12HP230V1AC</b>		<b>12,000 BTU/H Ceiling Cassette</b>	
<b>Job Name</b>		<b>Location</b>	
<b>Purchaser</b>		<b>Date</b>	
<b>Submitted To</b>		<b>Engineer</b>	
<b>Submitted To</b>		For <input type="checkbox"/> Reference <input type="checkbox"/> Approval <input type="checkbox"/> Construction	
<b>Unit Designation</b>		<b>Schedule No.</b>	
<b>GENERAL FEATURES</b> -Quiet Operation -Multi-Speed Fan -4-way Discharge Air -Internal Condensate Drain Pump -Swing Louver -Both Wireless & Wired Remote Controllers -Power Failure Recovery -Sentry Condensate Overflow Protection -Decorative Grille ( Sold Separately) -Limited 5 yr. Parts Warranty			
<b>System Ratings</b>		<b>Units Specification &amp; Data</b>	
<b>Cooling*</b> Rated Capacity 12,000 BTU/H  <b>Heating*</b> Rated Capacity 13,000 BTU/H  <b>Sound Pressure (Hi/Lo)**</b> Cooling 46/32 dbA Heating 46/32 dbA  <b>Air Flow (min/max)</b> Indoor Fan 265/353 CFM		Wired Controller XK-19  Air Filter Netted polypropylene  Condensate Drain Lift (Height) 12-in 305-mm Drain Size (OD) 1.2-in 31-mm	
<b>Electrical Ratings</b>		<b>Refrigerant Piping Data</b>	
<b>Fan Motor</b> Output Power 11 W FLA 0.2 A  <b>Power Supply</b> Normal Operational Voltage 208/230 V, 1 Phase, 60 Hz Voltage Range 187 - 253 V MCA 1.0 A Interconnecting Cable Wire Size 14-4 AWG		Refrigerant Type R410A  Gas Pipe Size (OD) 3/8-in  Liquid Pipe Size (OD) 1/4-in  Connection Method Flared	
		* Test conditions are based on AHRI 210/240. **Sound Power ratings are per AHRI 270 and AHRI 350	



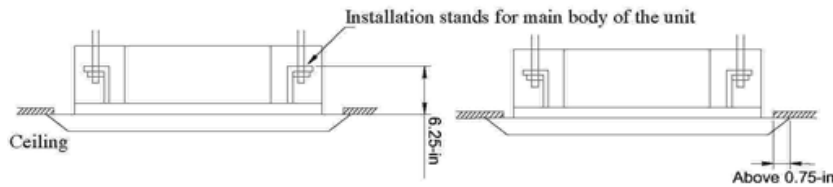
**12,000 BTUH MODEL**

Model # CAS12HP230V1AC 12,000 BTUH 230V

Units: inch (mm)

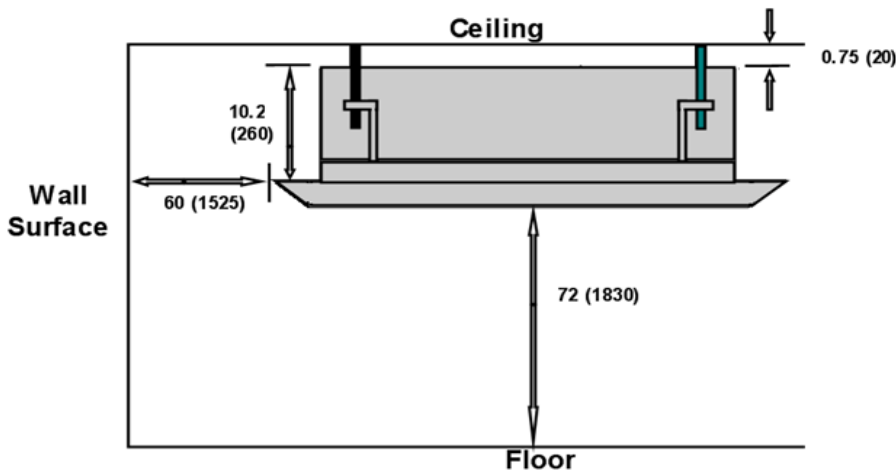


Note: Size refrigerant lines based on evaporator port sizes.



Weight (Net/Gross) 40/51 lbs

**MINIMUM CLEARANCES**



Notes:

1. Recommended Interconnecting Cable Type Stranded Bare Copper Conductors THHN 600V Unshielded Wire
2. Power wiring cable size must comply with applicable national and local codes.
3. Test conditions are based on AHRI 210/240.

Specifications are subject to change without notice. Manufacturer reserves the right to discontinue or modify specifications or designs without notice or without incurring obligations. All rights reserved.