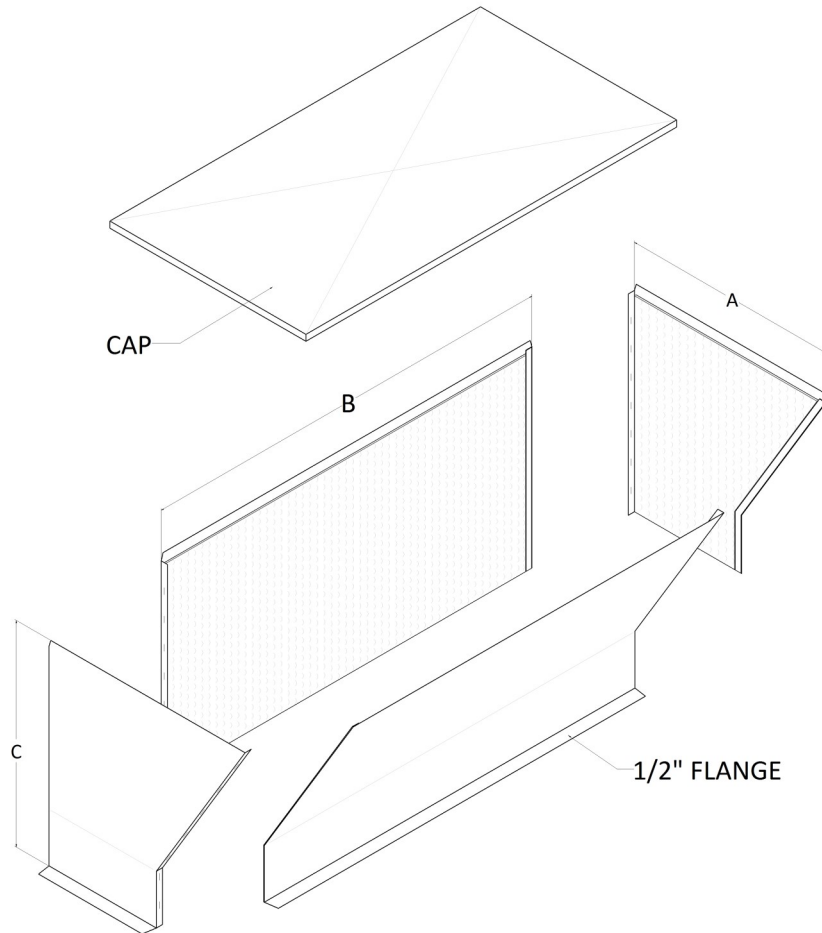




# SUBMITTAL DATA

## PLENUM (FUJITSU MINI-SPLIT) - 2870 SERIES



### PRODUCT FEATURES

- **MADE FROM GALVANIZED STEEL**
- **BUBBLE WRAP LINED**
- **26GA**
- **SHIPPED UNASSEMBLED**  
**(EXPLODED VIEW SHOWN)**

### AVAILABLE DIMENSIONS

OPEN SIDE			CAP SIDE			FUJITSU MODEL
A	B	C	A	B	C	
6.25	25.75	12	10	25.75	12	*ARU7-12 SA
6.25	33.75	16	13	33.75	16	*ARU-18 SA
6.25	38	16	13	38	16	*ARU-24 SA
8.75	30.25	16	16	30.25	16	*RGLX 24-30 SA
8.5625	45.75	24	16	45.75	24	*ARUM36-48RGLX
11.625	33.50	30	18	33.50	30	*ARUH60TLAV