
TECHNICAL SPECIFICATIONS

B5VM Series **Variable Speed Air Handler** **13/14 SEER Residential System** **18,000 - 60,000 Btuh (Heat Pump & Air Conditioner)**

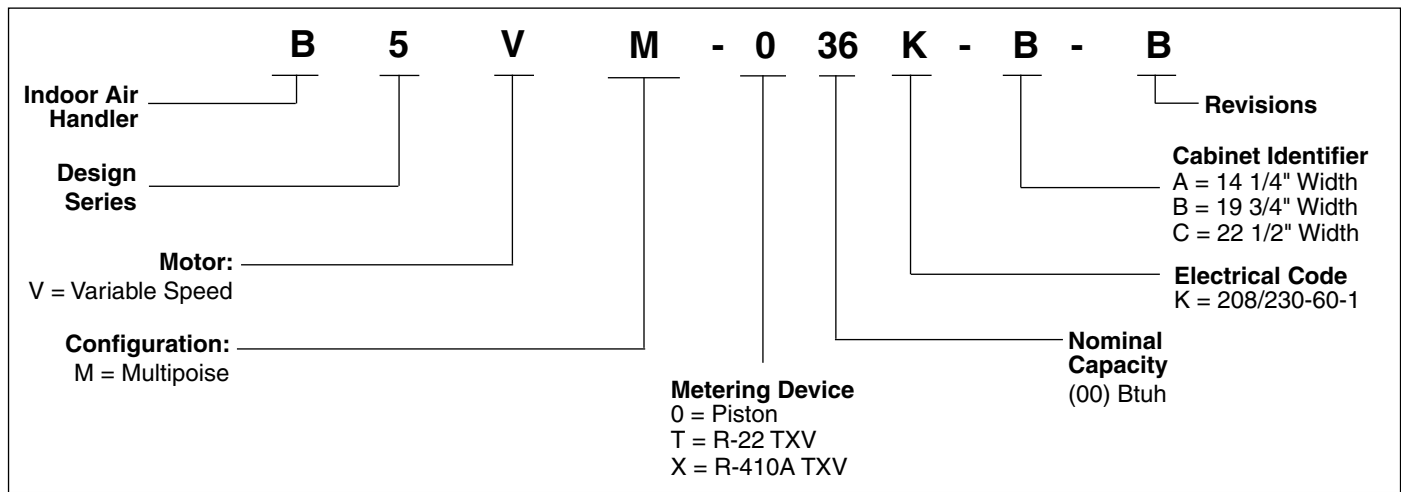
The B5VM Series of air handlers, when combined with our heat pump or air conditioner, offer a full line of quality, split system heating and cooling equipment.

FEATURES and BENEFITS

- **Durable, Attractive Cabinet** — Designed using galvanized steel. The door is also galvanized steel, with a polyester urethane finish. The 950 hour salt spray finish resists corrosion 50% better than comparable units. The plastic drain pan is corrosion-resistant.
- **Multi-poised** — Can be used in horizontal, upflow, downflow and vertical applications.
- **Increased Efficiencies** — Air conditioning and heat pump efficiencies up to 14 SEER and 8.5 HSPF.
- **ECM Variable Speed Motor** — Advanced technology allows for 12 selected cooling airflows and 4 heating airflows to match any application.
- **Quiet Blower Operation** — Extra quiet and smooth blower on and off cycles.
- **Constant Airflow** — Motor automatically adjusts to different static loads.
- **Field selectable delay profiles** — Increase efficiency and comfort.
- **Reduced air stratification** — This results in improved air quality by optimizing humidity removal and filtration capabilities.
- **Ease-of-Service** — Plug-in wire connections and built-in filter rack makes the air handler easy to service.
- **Plug-in Heater Kits** — Available in 5 kw - 30 kw
- **Circuit Board** — Incorporating low voltage terminal strip, and heat-strip sequencing.
- **Air Handler Control Board** — Controls time-sequencing of heat stages with field-selectable sequence timing.
- **Breaker Accessibility** — Breaker accessible from front of unit when heater is applied.
- **No Fasteners on Sides or Back** — Smooth surfaces for ease of installation.
- **Cabinet Insulation** — 1" insulation with an R-value of 4.2 contributes to quiet operation and prevents cabinet sweating in difficult applications.



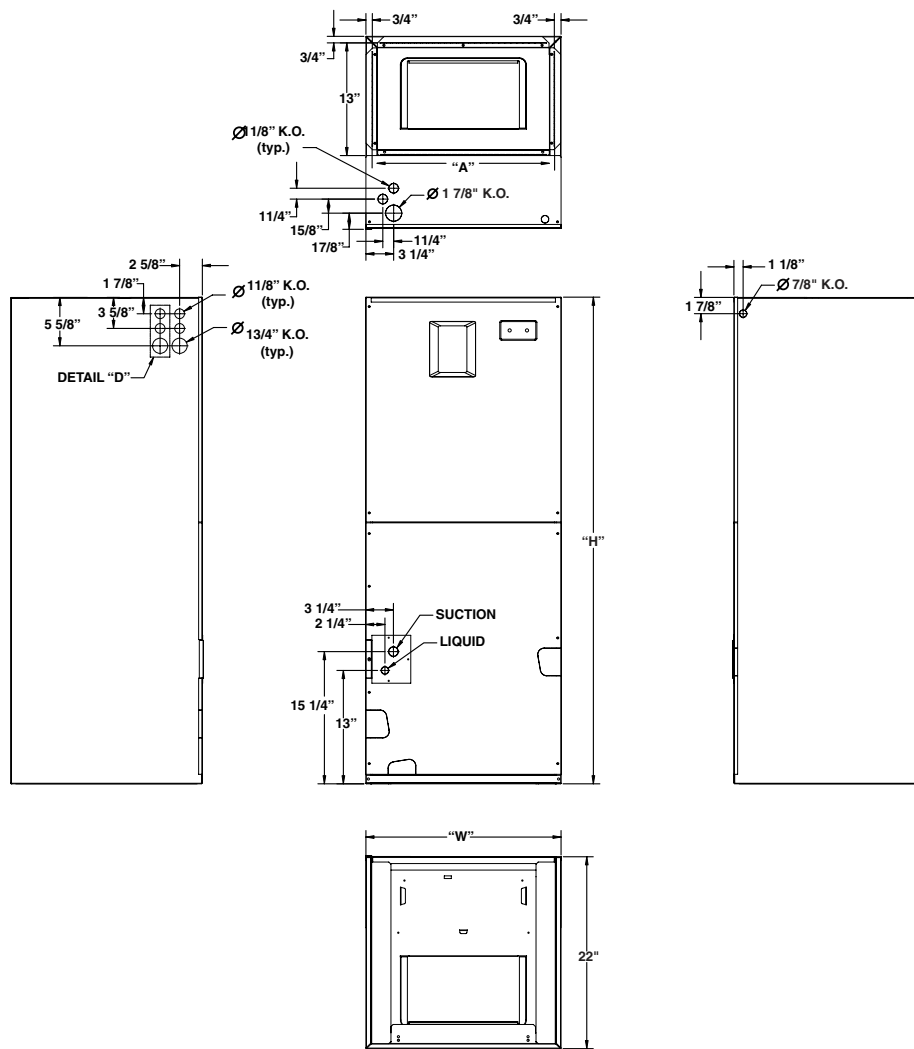
MODEL IDENTIFICATION CODE



ELECTRICAL DATA

Model Number H6HK-	Voltage	KW	Standard Air Handler (A & B size)								Variable Speed & Std Air Handler (C size)							
			Min. Circuit Ampacity				Max. Over-Current Protection				Min. Circuit Ampacity				Max. Over-Current Protection			
			Circuit A	Circuit B	Circuit C	Single Circuit	Circuit A	Circuit B	Circuit C	Single Circuit	Circuit A	Circuit B	Circuit C	Single Circuit	Circuit A	Circuit B	Circuit C	Single Circuit
NONE	240	-	-	-	-	7.5	-	-	-	15	-	-	-	8.5	-	-	-	15
005H-XX	240	4.8	-	-	-	30	-	-	-	30	-	-	-	34	-	-	-	40
008H-XX	240	7.5	-	-	-	45	-	-	-	50	-	-	-	48	-	-	-	50
010H-XX	240	9.6	-	-	-	55	-	-	-	60	-	-	-	59	-	-	-	60
015H-XX	240	14.4	55	25	-	80	60	30	-	90	59	25	-	83	60	30	-	90
020H-XX	240	19.2	55	50	-	105	60	60	-	125	59	50	-	109	60	60	-	125
025H-XX	240	24.0	-	-	-	-	-	-	-	-	59	50	25	134	60	60	30	150
030H-XX	240	28.8	-	-	-	-	-	-	-	-	59	50	50	159	60	60	60	175
NONE	208	-	-	-	-	7.5	-	-	-	15	-	-	-	8.5	-	-	-	15
005H-XX	208	3.6	-	-	-	27	-	-	-	30	-	-	-	30	-	-	-	40
008H-XX	208	5.6	-	-	-	39	-	-	-	40	-	-	-	42	-	-	-	50
010H-XX	208	7.2	-	-	-	48	-	-	-	50	-	-	-	52	-	-	-	60
015H-XX	208	10.8	48	21	-	70	50	25	-	80	52	22	-	73	60	25	-	80
020H-XX	208	14.4	48	43	-	92	50	50	-	100	52	43	-	95	60	50	-	100
025H-XX	208	18.0	-	-	-	-	-	-	-	-	52	43	22	117	60	50	25	125
030H-XX	208	21.6	-	-	-	-	-	-	-	-	52	43	43	138	60	50	50	150
009Q-XX	240	9.0	-	-	-	32	-	-	-	40	-	-	-	36	-	-	-	40
015Q-XX	240	14.4	-	-	-	48	-	-	-	50	-	-	-	52	-	-	-	60
009Q-XX	208	6.8	-	-	-	29	-	-	-	30	-	-	-	32	-	-	-	40
015Q-XX	208	10.8	-	-	-	43	-	-	-	50	-	-	-	46	-	-	-	50

DIMENSIONS



SPECIFICATIONS

Model Number B5VM	*24K-A	*25K-A	*30K-A	*24K-B	*25K-B	*30K-B	*36K-B	*37K-B	*42K-B	*48K-C	*49K-C	*60K-C
Nominal cooling capacity - BTUh ¹	24000	24000	30000	24000	24000	30000	36000	36000	42000	48000	48000	60000
Orifice size (if supplied) ²	0.050	0.061	0.069	0.050	0.061	0.069	0.078	0.078	0.083	0.090	0.090	0.101
Maximum Available Auxiliary Heat	10	10	15	20	20	20	20	20	20	30	30	30
Nominal Blower Size (Dia. x Width)	10 x 6	10 x 6	10 x 6	11 x 8	11 x 8	11 x 8	11 x 8	11 x 8	11 x 8	11 x 10	11 x 10	11 x 10
Motor Hp-speeds-type	1/2-VS	1/2-VS	1/2-VS	1/2-VS	1/2-VS	1/2-VS	1/2-VS	1/2-VS	1/2-VS	3/4-VS	3/4-VS	3/4-VS
Filter Size (supplied internal filter rack) ³	12x20x1	12x20x1	12x20x1	18x20x1	18x20x1	18x20x1	18x20x1	18x20x1	18x20x1	20x20x1	20x20x1	20x20x1
Approximate Shipping Weight, lbs	91	91	94	111	111	114	114	134	134	154	154	159
Height, "H", in.	43-5/16	43-5/16	43-5/16	43-5/16	43-5/16	43-5/16	43-5/16	49-5/16	49-5/16	55-15/16	55-15/16	55-15/16
Width, "W", in.	14-3/16	14-3/16	14-3/16	19-11/16	19-11/16	19-11/16	19-11/16	19-11/16	19-11/16	22-7/16	22-7/16	22-7/16
Supply Air Outlet Dimension, in.	12-7/8 x 12-3/4	12-7/8 x 12-3/4	12-7/8 x 12-3/4	12-7/8 x 18-1/4	12-7/8 x 18-1/4	12-7/8 x 18-1/4	12-7/8 x 18-1/4	12-7/8 x 18-1/4	12-7/8 x 18-1/4	12-7/8 x 21	12-7/8 x 21	12-7/8 x 21
Ref. Connection Sizes, in. (suc./liq.)	3/4 - 3/8	3/4 - 3/8	3/4 - 3/8	3/4 - 3/8	3/4 - 3/8	3/4 - 3/8	3/4 - 3/8	7/8 - 3/8	7/8 - 3/8	7/8 - 3/8	7/8 - 3/8	7/8 - 3/8

¹ See current ARI Directory for certified combinations and ratings.

² When supplied, orifice is sized for most common R-22 13 SEER HP match. See outdoor unit documentation for orifice size.

³ Filter is not supplied with unit.

AIRFLOW SELECTION FOR VARIABLE SPEED MODELS

Basic Airflow Setting

A-CABINET		Switch Number				Nominal Capacity			
CFM	1	2	3	4	1.5	2.0	2.5	3.0	
540	0	0	0	1					
600	0	0	0	0					
660	0	0	1	0					
715	1	0	0	1					
790	1	0	0	0					
870	1	0	1	0					
915	0	1	0	1					
955	1	1	0	1					
1015	0	1	0	0					
1060	0	1	1	0					
1075	1	1	0	0					
1165	1	1	1	0					

B-CABINET		Switch Number				Nominal Capacity					
CFM	1	2	3	4	1.5	2.0	2.5	3.0	3.5	4.0	
720	0	0	0	1							
800	0	0	0	0							
850	1	0	0	1							
880	0	0	1	0							
945	1	0	0	0							
1040	1	0	1	0							
1085	0	1	0	1							
1140	1	1	0	1							
1205	0	1	0	0							
1265	1	1	0	0							
1325	0	1	1	0							
1390	1	1	1	0							

C-CABINET		Switch Number				Nominal Capacity			
CFM	1	2	3	4	3.0	3.5	4.0	5.0	
1075	0	0	0	1					
1135	1	0	0	1					
1225	0	0	0	0					
1295	1	0	0	0					
1380	0	0	1	0					
1460	1	0	1	0					
1525	0	1	0	1					
1625	1	1	0	1					
1740	0	1	0	0					
1860	1	1	0	0					
1960	0	1	1	0					
2090	1	1	1	0					

Note: 1 = ON, 0 = OFF

ACCESSORIES

Accessory Kit Description	Cabinet Size			Order Number
	A	B	C	
Down-flow adaptor kit	X			917342
		X		919321
			X	919322
Single circuit adaptor for 2 circuit breakers	X	X	X	913874
Single circuit adaptor for 3 circuit breakers	n/a	n/a	X	913556
Horizontal conversion kit for vertical-only units	X	X		903749
		X ¹		914730
			X	914730

¹ Required for 042 models

240V Single-Phase Heater Kit Application

Nominal KW	Matched Units									Order Number	
	024/025K-A	030K-A	024/025K-B	030K-B	036K-B	037K-B	042K-B	048K-C	060K-C	With Circuit Breakers	Without Circuit Breakers
5	X	X	X	X	X	X	X	X	X	904407	904406
8	X	X	X	X	X	X	X	X	X	904409	904408
10	X	X	X	X	X	X	X	X	X	904412	904411
15	n/a	X	X	X	X	X	X	X	X	904414	n/a
20	n/a	n/a	X	X	X	X	X	X	X	904416	n/a
25	n/a	n/a	n/a	n/a	n/a	n/a	n/a	X	X	904417	n/a
30	n/a	n/a	n/a	n/a	n/a	n/a	n/a	X	X	904418	n/a

240V Three-Phase Heater Kit Application

Nominal KW	Matched Units									Order Number	
	024/025K-A	030K-A	024/025K-B	030K-B	036K-B	037K-B	042K-B	048K-C	060K-C	With Circuit Breakers	Without Circuit Breakers
9	X	X	X	X	X	X	X	X	X	904410	n/a
15	n/a	X	n/a	X	X	X	X	X	X	904415	n/a



356D-0709

O'Fallon, MO

NORDYNE
COMPLETE COMFORT. GENUINE VALUE.

Before purchasing this appliance, read important energy cost and efficiency information available from your retailer. Specifications and illustrations subject to change without notice and without incurring obligations. Printed in U.S.A. (07/09)