

**Hybrid Flex Inverter Submittal Data  
AUU9RLF and UTG-CCGF  
Compact Cassette and Grille**



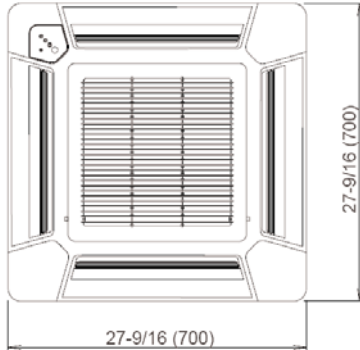
Job Name: \_\_\_\_\_  
 Location: \_\_\_\_\_  
 Engineer: \_\_\_\_\_  
 Submitted to: \_\_\_\_\_  
 Submitted by: \_\_\_\_\_

Approval: \_\_\_\_\_ Date: \_\_\_\_\_  
 Construction: \_\_\_\_\_  
 Unit #: \_\_\_\_\_  
 Drawing #: \_\_\_\_\_  
 Reference: \_\_\_\_\_

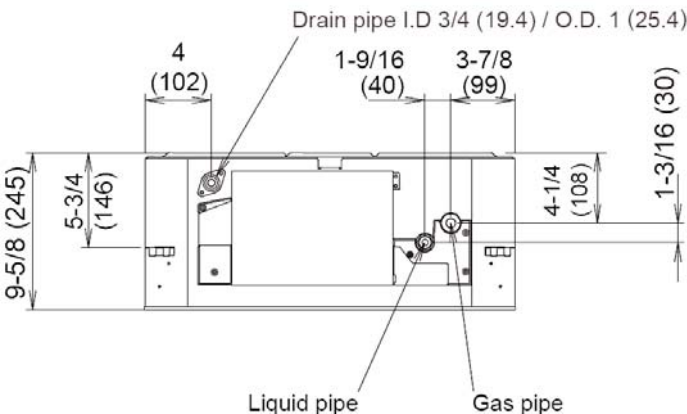
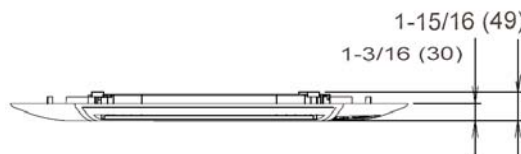
<b>Power</b>	V/Hz/P	230/60/1
<b>Fan type</b>		Turbo
No. Motors	(W)	42-1
CFM	(Hi,Me,Lo,Qu)	318/288/259/230
Sound Pressure Level	db (Hi,Me,Lo,Qu)	33/31/29/27
F.L.A.	(A)	.15
<b>Refrigerant</b>		410A
O.D. Discharge	in (mm)	1/4" (6.35)
O.D. Suction	in (mm)	3/8" (9.52)
<b>Dimensions</b>		H x W x D
Unit Uncrated	(in)	9-21/32 x 22-14/32 x 22-14/32
	(mm)	(245x570x570)
Unit Crated	(in)	10-7/16 x 28-3/4 x 24-19/32
	(mm)	(265x730x625)
Panel Uncrated	(in)	1-15/16 x 27-9/16 x 27-9/16
	(mm)	(49x700x700)
Panel Crated	(in)	4-23/32 x 30-1/8 x 29-23/32
	(mm)	(120x765x755)
<b>Weight</b>		
Unit Net	lbs. (kg)	33 (15)
Unit Gross Shipping	lbs. (kg)	40 (18)
Panel Net	lbs. (kg)	5.7 (2.6)
Panel Gross Shipping	lbs. (kg)	10 (4.5)

<b>Cooling Capacity</b>	(BTU/h)	9,000
<b>Moisture Removal</b>	pt/h (l/h)	2.5 (1.2)
<b>Heating Capacity</b>	(BTU/h)	10,200
<b>Temperature Setting Range</b>		
Cooling	°F(°C)	64~90 (18~32)
Heating	°F(°C)	60~88 (16~31)
<b>Drain Pipe Size</b>	OD in (mm)	Ø1 (25.4)
	ID in (mm)	Ø3/4 (19.4)
<b>Condensate Pump Lift*</b>	in (mm)	28 (700)
<b>Remote Control Type</b>		Wired (Wireless Optional)
<b>Electrical Connection**</b>	AWG	14/3 with ground

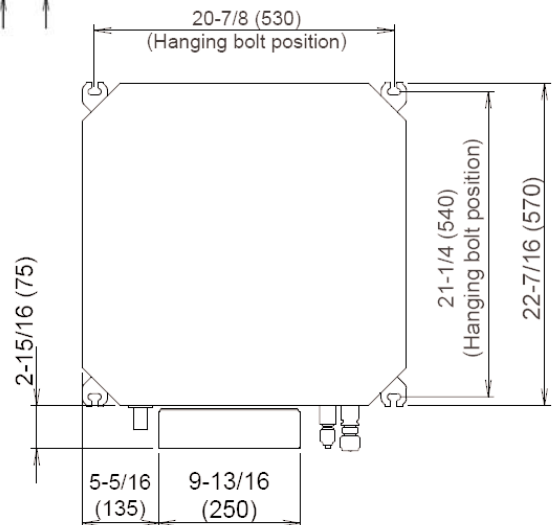
\*Pump is capable of providing 28" of lift at no more than 6" away from the unit. Lift is measured from the suction of the pump which is located at the bottom of the unit and not the outlet of the condensate.  
 \*\*Power and communication are fed from the outdoor unit.



**Grille**  
(sold separately)



**Unit**



Fujitsu General America, Inc.  
 Fairfield, NJ 07004  
 Toll Free: 1-888-888-3424  
 Fax: (973) 836-0447  
 www.fujitsugeneral.com

Note: Specifications are based on the following conditions.  
 Power source of specifications : 230V  
 Cooling: Indoor temperature of 80°F(26.67°C)DB / 67°F(19.44°C)WB, and outdoor temperature of 95°F(35°C)DB/75°F(23.89°C)WB.  
 Heating: Indoor temperature of 70°F(21.11°C)DB / 60°F(15.56°C)WB, and outdoor temperature of 47°F(8.33°C)DB/43°F(6.11°C)WB.  
 Pipe length : 16ft. (5m) [Outdoor unit - Branch box], 9.8ft. (3m) [Branch box - Indoor unit]  
 Height difference : 0 ft.(0m) [Outdoor unit - Indoor unit]  
 Fujitsu products are subject to continuous improvements. Fujitsu reserves the right to modify product design, specifications and information in this data sheet without notice and without incurring any obligations.