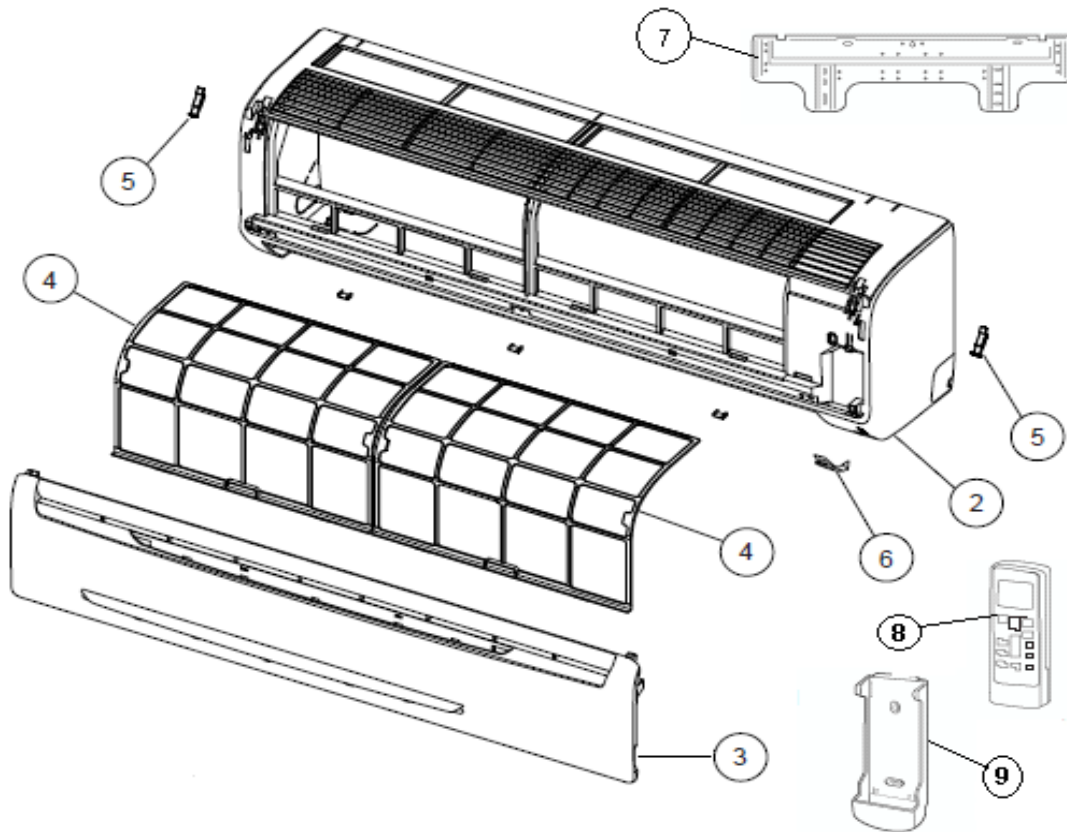
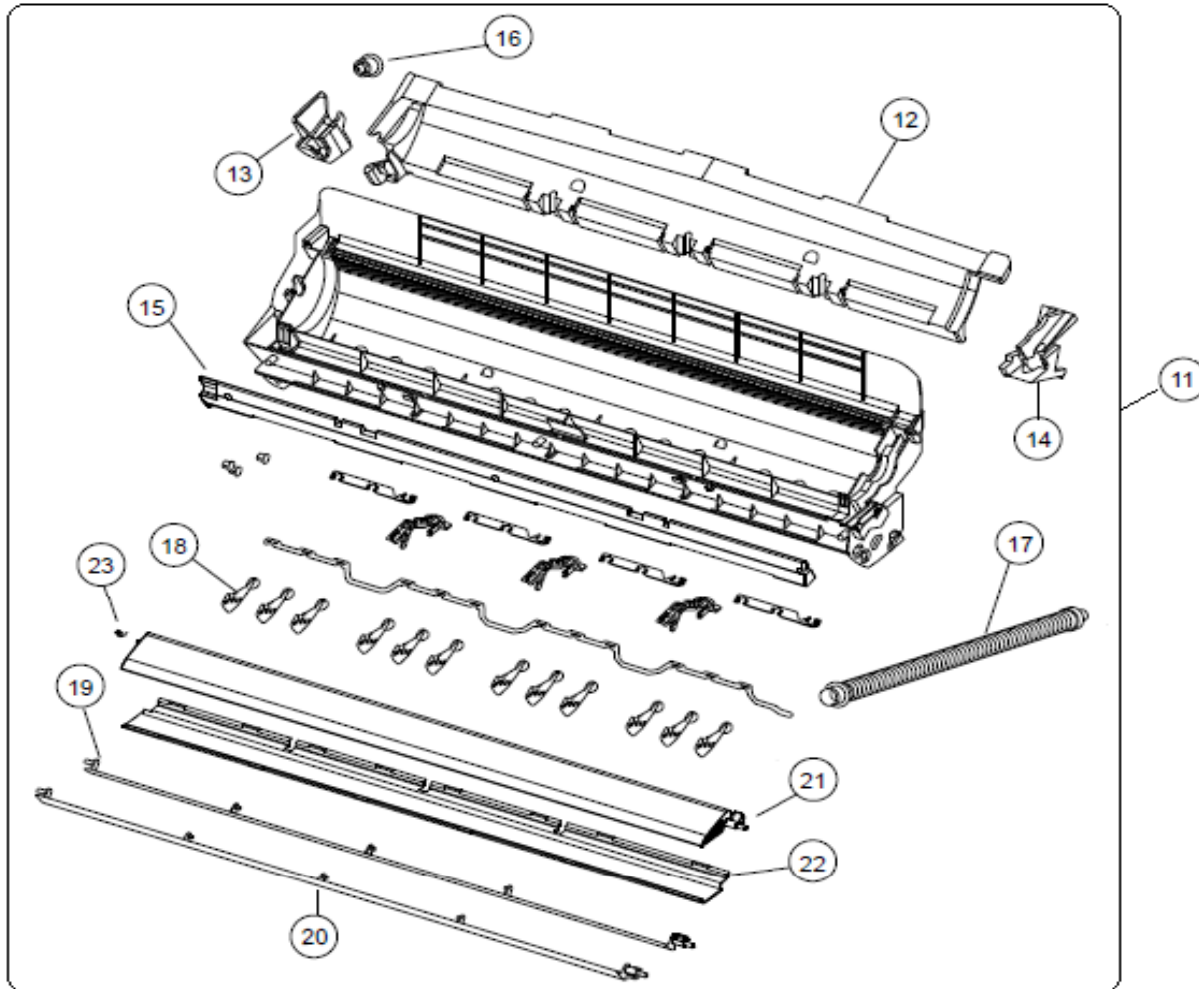


## ASU24CL1 - CABINET



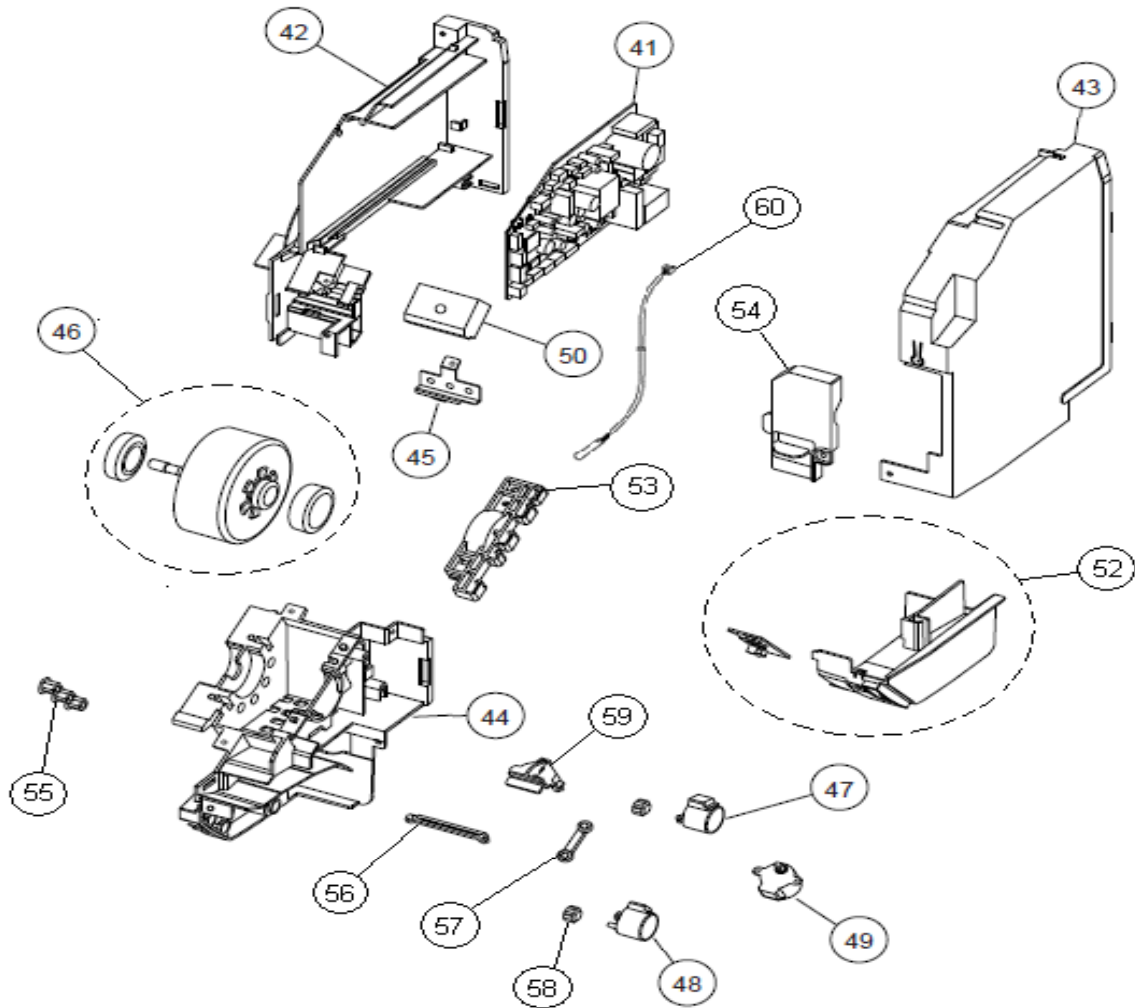
Bubble #	Part#	Description
2	K9314991028	FRONT PANEL RAC+CLX1 HIPS OPE/TIM/QUI
3	K9315336026	INTAKE GRILL ASSY RAC HFI FRONT FUJITSU Replaces: K9315336163
4	K9315014016	AIR FILTER RLX* HFI PP WASHABLE
5	K9306755010	CLAMP INTAKE GRILLE RAC**# POM
6	K9315010018	RECEIVER IR WINDOW HFI PMMA-ABS
7	K9315023018	WALL BRACKET RAC RLF# SECC-CF-X 20/20 TO.7
8	K9315027160	REMOTE CONTROL 30CLX/36CLX# AR-RY16 Replaced by: K9315027146
9	K9305642045	REMOTE HOLDER 410 PLASTIC LIGHT Replaces: K9305642014
A	K9315335036	FRONT PANEL TOTAL 410i RAC+ PLASTIC
B	K9315252012	HOLDER THERMISTOR ROOM RAC
C	K9315212016	AIR FILTER KIT W/FRAME RAC+# UTR-FA13-1 & UTR-FA13-2

## ASU24CL1 - CASING ASSY



Bubble #	Part#	Description
11	K9315331045	CASING TOTAL ASSY RAC HFI WITH FAN GUARD Replaces: K9315331014
12	K9315016010	COVER CASING B RAC HFI
13	K9315017017	COVER CASING L RAC HFI
14	K9315018014	COVER CASING R RAC HFI
15	K9315019011	COVER CASING F RAC HFI STYROFOAM
16	K9367677009	DRAIN CAP RAC HFI RUBBER
17	K9367695003	HOSE DRAIN HFI Replaces: K9315769015
18	K9311997016	LOUVER R & L RAC+RLXS Replaces: K9311997023
19	K9315000019	LOUVER U 410i RAC+RLX* ABS
20	K9315001016	LOUVER Z RAC+RLX* ABS
21	K9315002013	DIFFUSER U RAC+RLX* ABS
22	K9315003010	DIFFUSER Z RAC+RLX* ABS
23	K9314142017	SPRING C RAC+RLF DIFFUSER
A	K9305751051	GUARD FAN RLXS/LF L=796
B	K9315814012	HOLDER FAN GUARD RIGHT HFI ABS
C	K9315815019	HOLDER FAN GUARD LEFT HFI

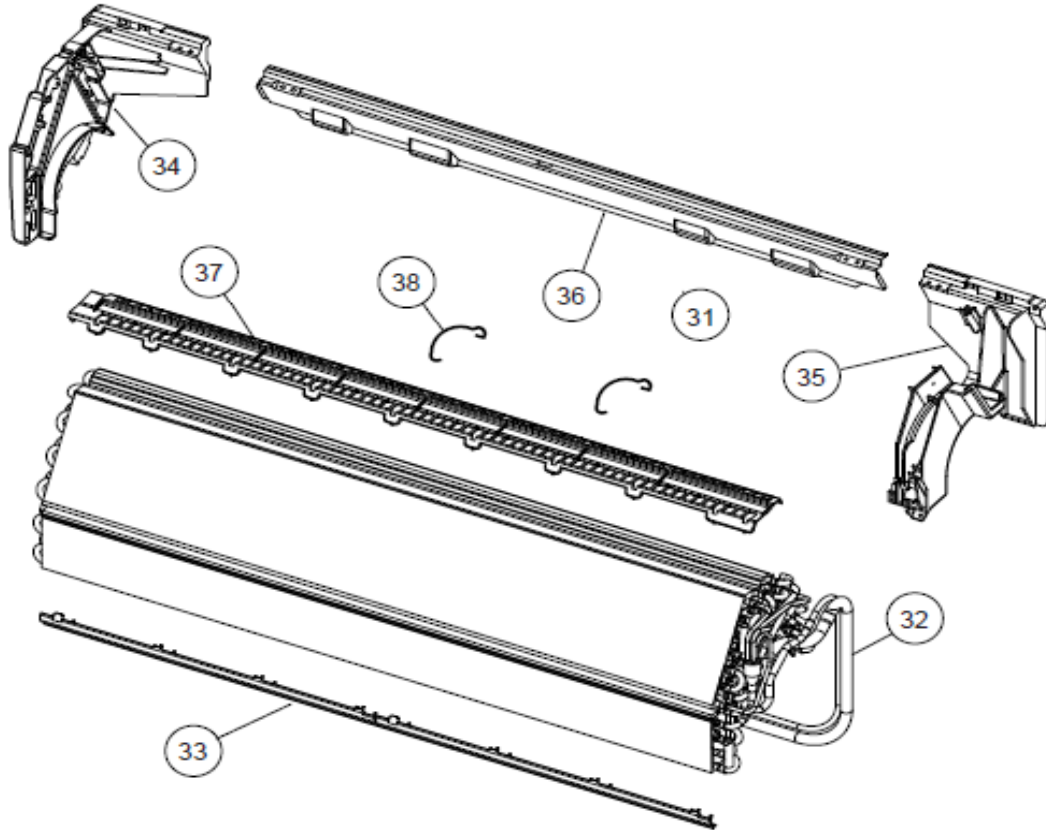
## ASU24CL1 - ELECTRICAL ASSY



Bubble #	Part#	Description
41	K9708065205	CONTROLLER PCB ASU24CL1# K08CX-1001WSE-C1 W/RM TH.
42	K9314996023	CONTROL BOX RAC+RLF# PLASTIC GRAY
43	K9314997020	CONTROL COVER RAC+# PLASTIC GRAY EZ-005CWSE-C
44	K9314998027	CASE MOTOR RAC+RLX*# PLASTIC GRAY
45	K9315028013	TERMINAL PLATE (ETH) 410i SGCC-Z-CF-X Z18 T1.0
46	K9602784004	MOTOR DC BRUSHLESS RLXS CL1 MFD-50ROAN 8P 42W DC340V Replaces: K9602163014
47	K9900384029	MOTOR STEP DIFFUSER 410 RAC+ 24BYJ48-660 LEIL300
48	K9900384036	MOTOR STEP UP/DOWN RAC+ 24BYJ48-661 LEIL300 NDFEB
49	K9900139063	MOTOR STEP LEFT/RIGHT RAC+ 20BYJ46-166 LEIL 250
50	K9900447014	TERMINAL W/TH FUSE RAC+# HP-T3064A-A29L1 W/RBW WIRE
52	K9707209020	DISPLAY PCB ASSY & HOLDER EZ-00523HSE-D 410 RAC+ Replaces: K9707210019
53	K9315012012	CLAMP (MOTOR) RAC-RLF# IVORY PLASTIC TAINETU ASB

54	K9315015013	WIRE CLAMPER RAC+ HFI# ELECTRICAL COVER IVORY
55	K9312156016	BUSHING-B RAC+RLXS POM
56	K9315005014	JOINT A RAC**# ABS
57	K9315008015	LINK A RAC* POM
58	K9309994003	GEAR A 410 RAC*# POM
59	K9315007018	LINK HOLDER 410i RAC* ABS THERMISTOR PIPE RAC+XLS EP6H503AR-09S004 PLUG IN Replaces:
60	K9900551018	K9900389017

## ASU24CL1 - EVAPORATOR ASSY



Bubble #	Part#	Description
32	K9315355058	CONNECTION PIPE ASSY 24CL1# MFD-71TXAN
33	K9315251015	WATER SEAL RAC+RLXS
34	K9314994012	HOLDER RIGHT EVAPORATOR RLX*
35	K9314995019	HOLDER LEFT EVAPORATOR RLX*
36	K9315022011	REAR BRACKET RAC RLF SGCC-Z-CF-XZ22 T0.6
37	K9315013019	FILTER GUIDE HFI ABS
38	K9315411013	FILTER GUARD HFI SUS304-WPB
A	K9315338112	EVAPORATOR TA AS+HFI W500
B	K9315024015	CROSSFLOW FAN ASSY RAC HFI# ASG
C	K9306628017	HOLDER-C SHAFT RAC+RLXS# CROSS FLOW HOLDER