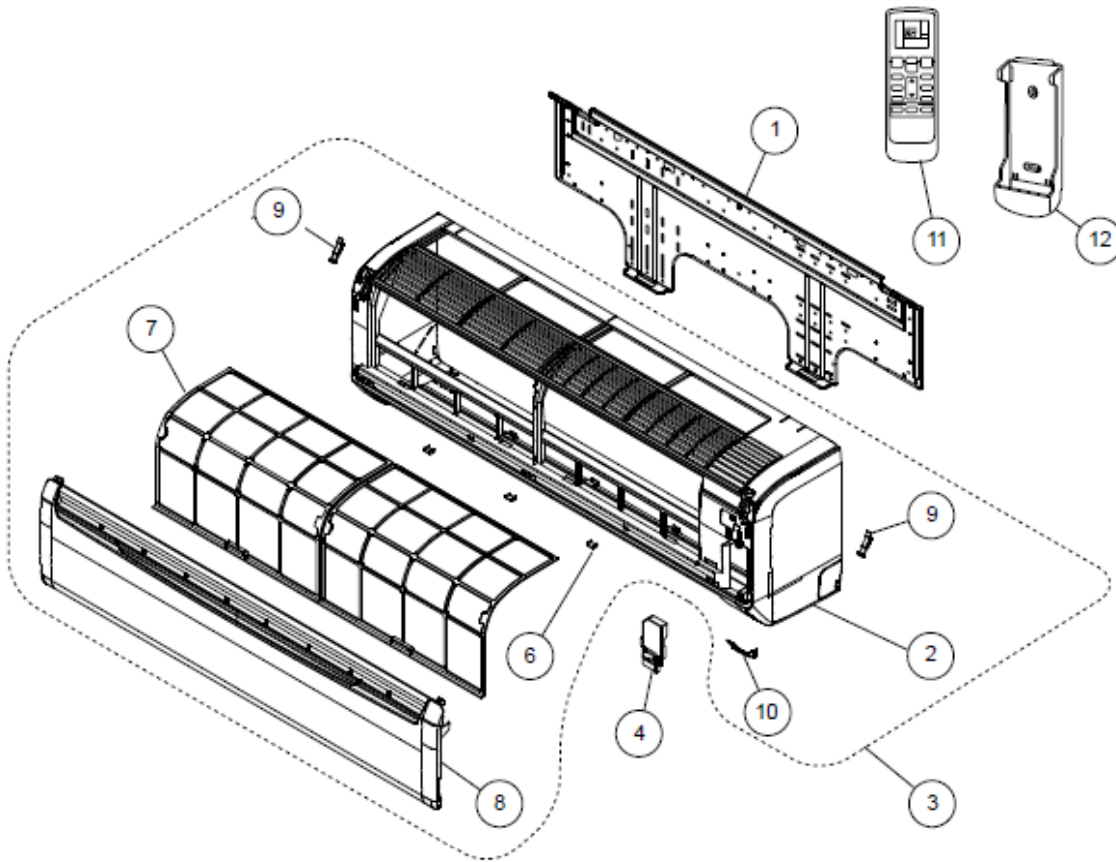
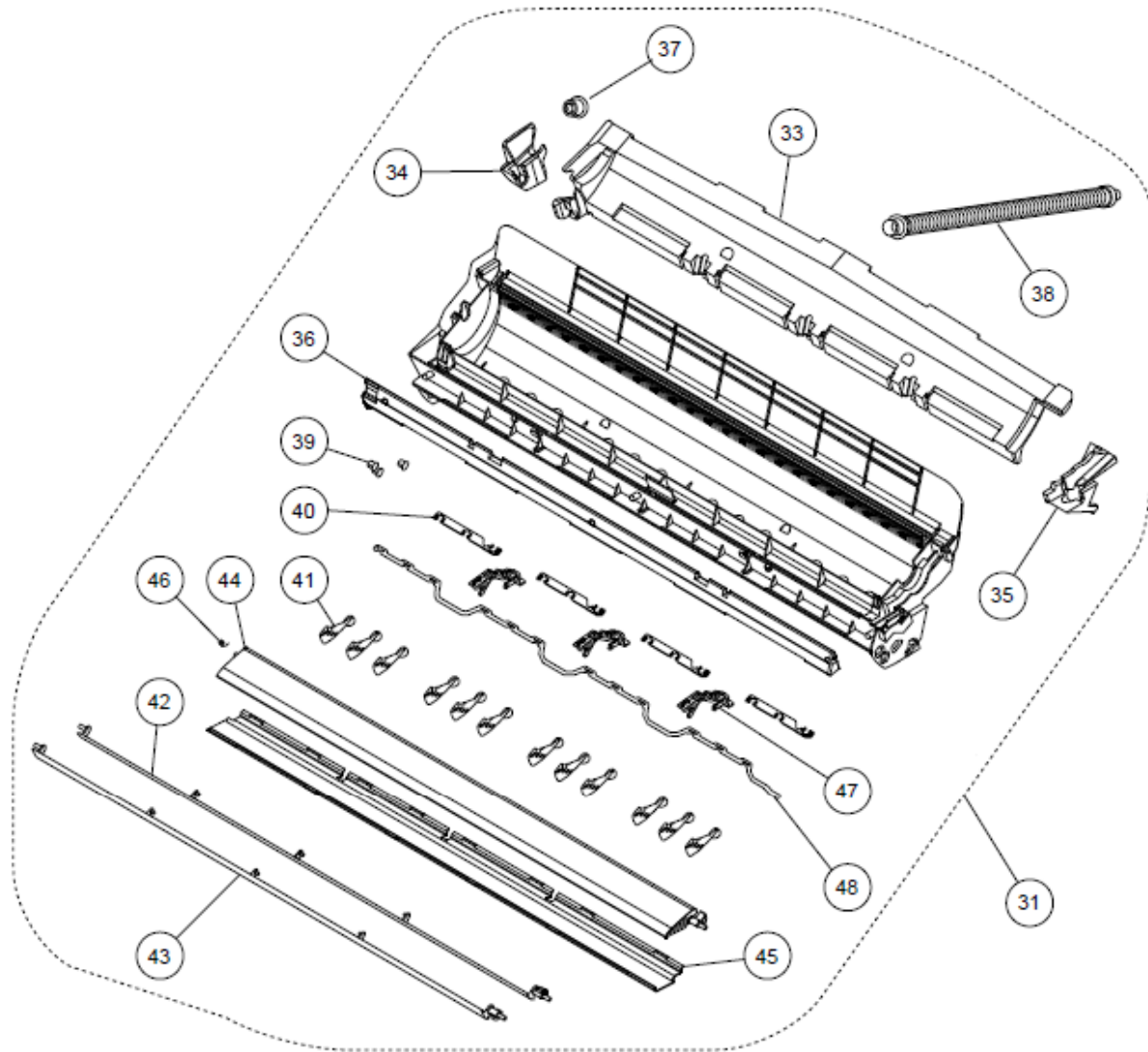


## ASU18RLF - CABINETRY & REMOTE



Bubble #	Part #	Description
1	K9315023018	WALL BRACKET RAC RLF# SECC-CF-X 20/20 TO.7
2	K9314991097	FRONT PANEL ASSY HFI HIPS 03N11(OPE/TIM/ECO) Replaces: K9314991080
3	K9315335272	FRONT PANEL TOTAL ASSY HFI
4	K9315015013	WIRE CLAMPER RAC+ HFI# ELECTRICAL COVER IVORY
6	K9309002050	COVER SCREW 410 RAC# HIPS (03N11)
7	K9315014016	AIR FILTER RLX* HFI PP WASHABLE
8	K9315336026	INTAKE GRILL ASSY RAC HFI FRONT FUJITSU Replaces: K9315336163
9	K9306755010	CLAMP INTAKE GRILLE RAC**# POM
10	K9315010018	RECEIVER IR WINDOW HFI PMMA-ABS
11	K9379219013	REMOTE CONTROL RLXS HFI# AR-RAH2U
12	K9305642045	REMOTE HOLDER 410 PLASTIC LIGHT Replaces: K9305642014
A	K9315212016	AIR FILTER KIT W/FRAME RAC+# UTR-FA13-1 & UTR-FA13-2
B	K9315252012	HOLDER THERMISTOR ROOM RAC

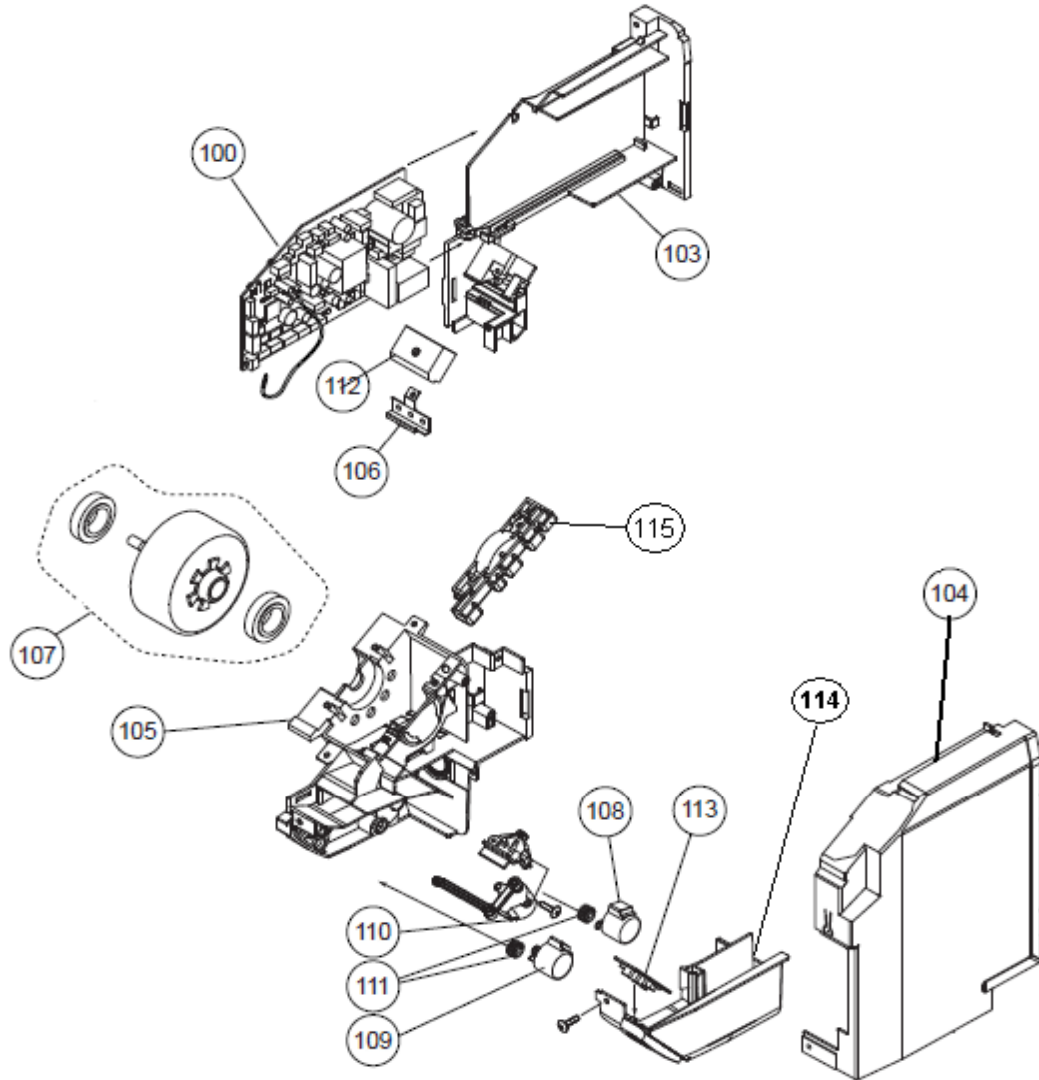
## ASU18RLF - CASING ASSY



Bubble #	Part #	Description
31	K9315331045	CASING TOTAL ASSY RAC HFI WITH FAN GUARD Replaces: K9315331014
33	K9315016010	COVER CASING B RAC HFI
34	K9315017017	COVER CASING L RAC HFI
35	K9315018014	COVER CASING R RAC HFI
36	K9315019011	COVER CASING F RAC HFI STYROFOAM
37	K9367677009	DRAIN CAP RAC HFI RUBBER
38	K9367695003	HOSE DRAIN HFI Replaces: K9315769015
39	K9312156016	BUSHING-B RAC+RLXS POM
40	K9312441013	SPACER B RAC+RLXF
41	K9311997016	LOUVER R & L RAC+RLXS Replaces: K9311997023
42	K9315000019	LOUVER U 410i RAC+RLX* ABS

43	K9315001016	LOUVER Z RAC+RLX* ABS
44	K9315002013	DIFFUSER U RAC+RLX* ABS
45	K9315003010	DIFFUSER Z RAC+RLX* ABS
46	K9314142017	SPRING C RAC+RLF DIFFUSER
47	K9315009012	PILLER A RAC RLXS
48	K9315006011	JOINT B RAC RLXF# PLASTIC GRAY
A	K9305751051	GUARD FAN RLXS/LF L=796
B	K9315814012	HOLDER FAN GUARD RIGHT HFI ABS
C	K9315815019	HOLDER FAN GUARD LEFT HFI

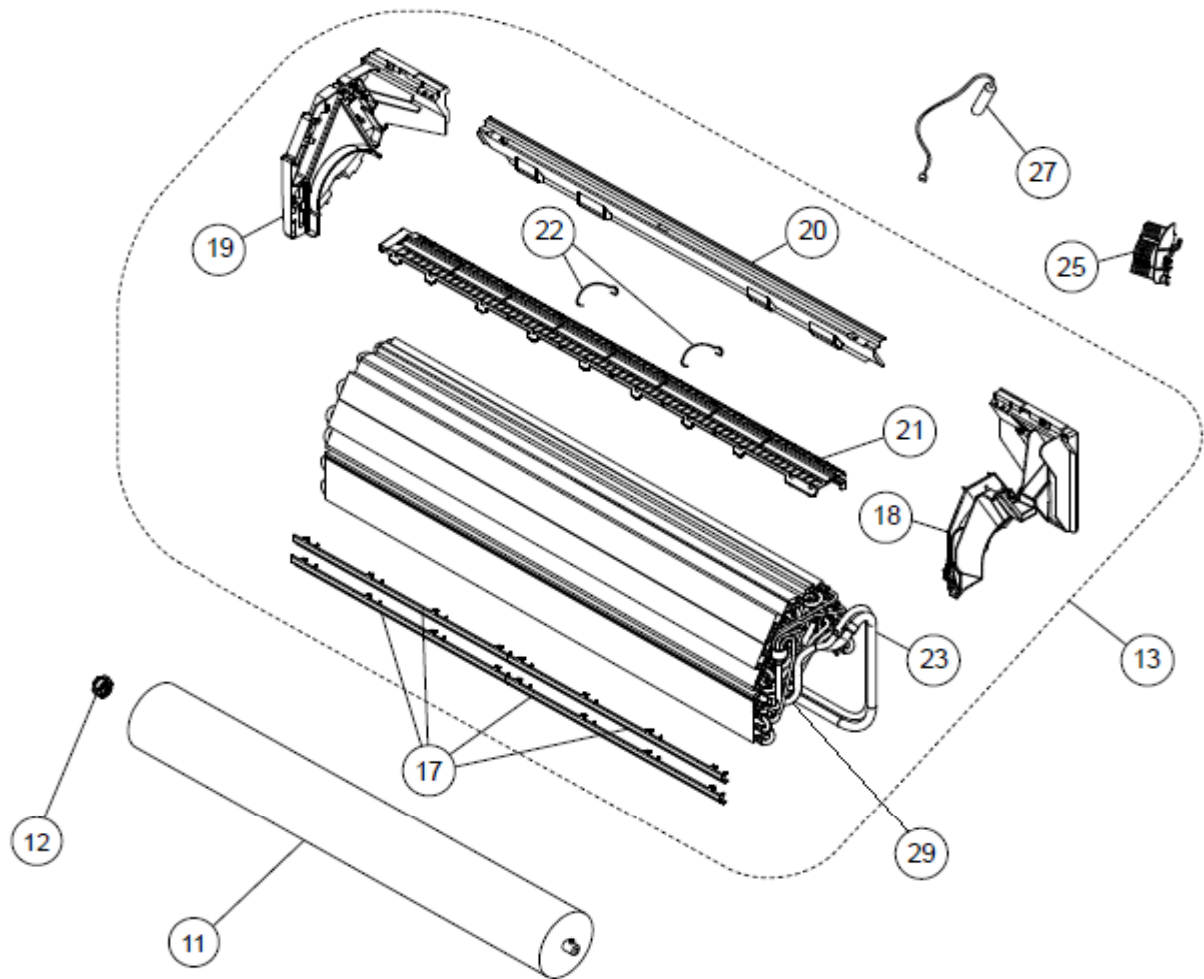
## ASU18RLF - ELECTRICAL ASSY



Bubble #	Part #	Description
100	K9708540016	CONTROLLER PCB ASU18RLF# K09DR-0900HSE-C1
103	K9314996023	CONTROL BOX RAC+RLF# PLASTIC GRAY
104	K9314997020	CONTROL COVER RAC+ # PLASTIC GRAY EZ-005CWSE-C
105	K9314998027	CASE MOTOR RAC+RLX*# PLASTIC GRAY
106	K9315028013	TERMINAL PLATE (ETH) 410i SGCC-Z-CF-X Z18 T1.0
107	K9602784004	MOTOR DC BRUSHLESS RLXS CL1 MFD-50ROAN 8P 42W DC340V Replaces: K9602163014
108	K9900384029	MOTOR STEP DIFFUSER 410 RAC+ 24BYJ48-660 LEIL300
109	K9900384036	MOTOR STEP UP/DOWN RAC+ 24BYJ48-661 LEIL300 NDFEB
110	K9900139063	MOTOR STEP LEFT/RIGHT RAC+ 20BYJ46-166 LEIL 250
111	K9309994003	GEAR A 410 RAC*# POM

112	K9900447014	TERMINAL W/TH FUSE RAC+# HP-T3064A-A29L1 W/RBW WIRE
113	K9707210057	DISPLAY PCB ASSY RLXS HFI# K05CY-0902HSE-DO
114	K9314999024	DISPLAY CASE
115	K9315012012	CLAMP (MOTOR) RAC-RLF# IVORY PLASTIC TAINETU ASB FUZE PACC RLF 3.15V 250V 8H17 (EM) FTC Replaces:
A	K0600378141	K0600422011,K0600466015

## ASU18RLF - EVAPORATOR & CROSSFLOW



Bubble #	Part #	Description
11	K9315024015	CROSSFLOW FAN ASSY RAC HFI# ASG
12	K9306628017	HOLDER-C SHAFT RAC+RLXS# CROSS FLOW HOLDER
13	K9315338129	EVAPORATOR TA ASU18RLF W512 Replaces: K9315338075
17	K9315251015	WATER SEAL RAC+RLXS
18	K9314994012	HOLDER RIGHT EVAPORATOR RLX*
19	K9314995019	HOLDER LEFT EVAPORATOR RLX*
20	K9315022011	REAR BRACKET RAC RLF SGCC-Z-CF-XZ22 T0.6
21	K9315013019	FILTER GUIDE HFI ABS
22	K9315411013	FILTER GUARD HFI SUS304-WPB
23	K9315355041	CONNECTION PIPE ASSY AS18RLF#
25	K9315252012	HOLDER THERMISTOR ROOM RAC THERMISTOR PIPE RAC+XLS EP6H503AR-09S004 PLUG IN
27	K9900551018	Replaces: K9900389017
29	K9316988019	DISTRIBUTOR ASSY RAC RLXS#