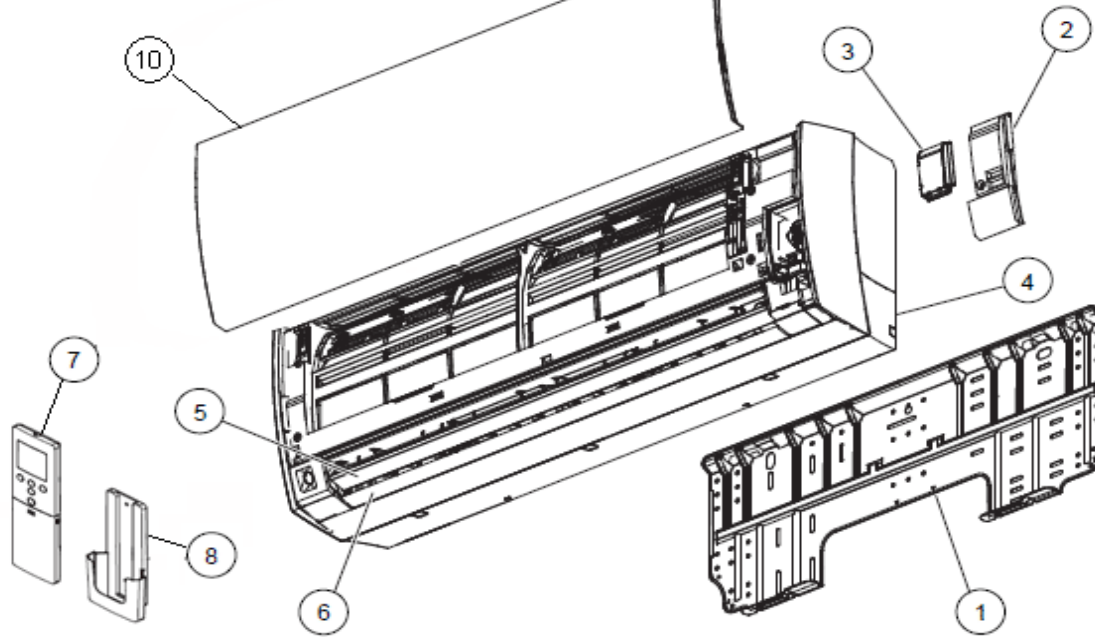
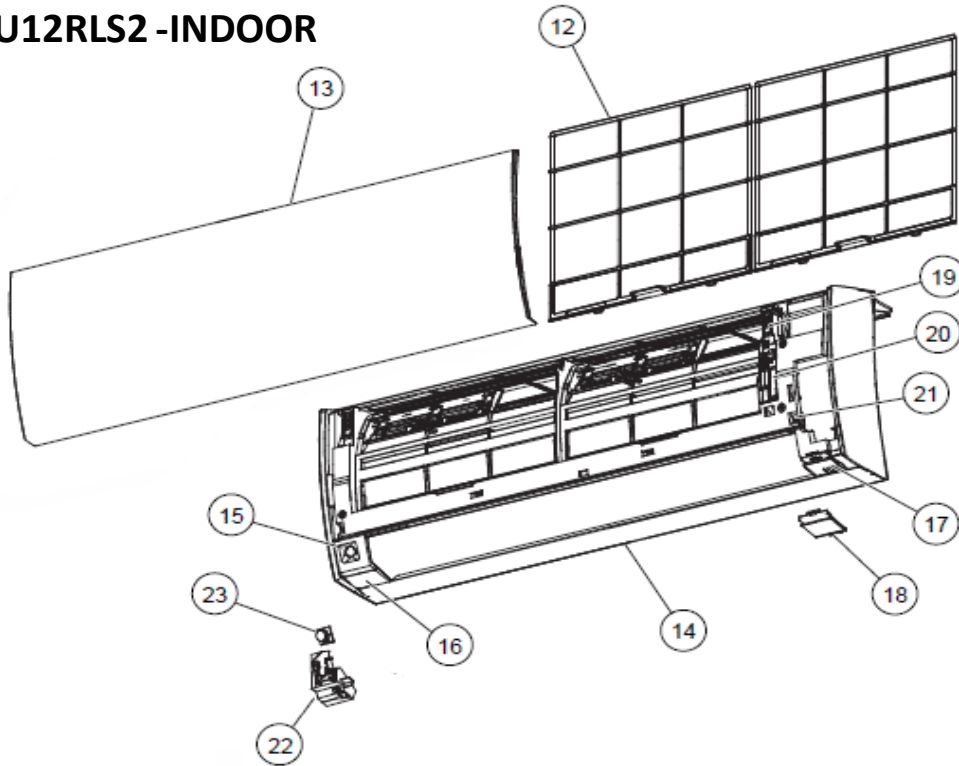


ASU12RLS2 -INDOOR



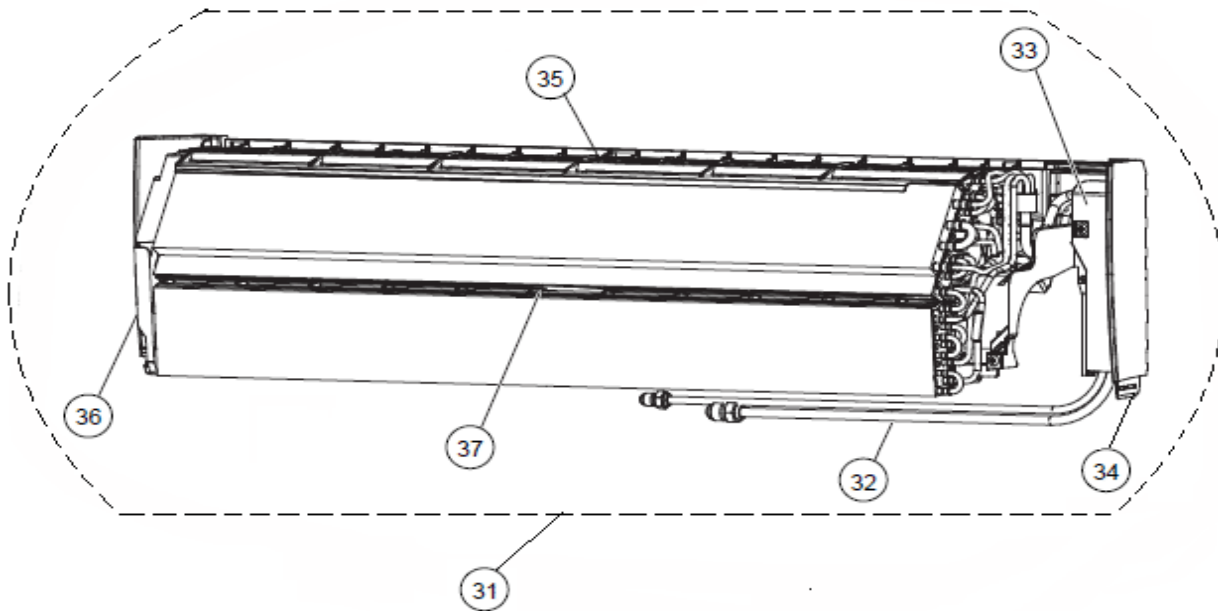
Bubble #	Item #	Description
1	K9318913002	BRACKET PANEL DW RLS2 SGCC-Z-CF-X Z18 T2.5
2	K9318911008	WIRE COVER 9~15RLS2 NANNEN PS 10N13 LIGHT GRAY
3	K9318919004	WIRE SHIELD ASU9~15RLS2 SGCC-Z-CF-X Z18 T0.4
4	K9318879001	UNDER COVER ASU9~15RLS2 HIPS 10N14 GRAY
5	K9318880007	LOUVER U ASU9~15RLS2 HIPS BLACK
6	K9318881004	LOUVER Z ASU9~15RLS2 HIPS BLACK
7	K9319634005	REMOTE CONTROL ASU9~15RLS2 AR-REC1U
8	K9318912005	REMOTE HOLDER ASU9~15RLS2 ABS 10N08 WHITE
10	K9319351186	INTAKE GRILLE ASSY DW RLS2 ASUG09LTCA

ASU12RLS2 -INDOOR



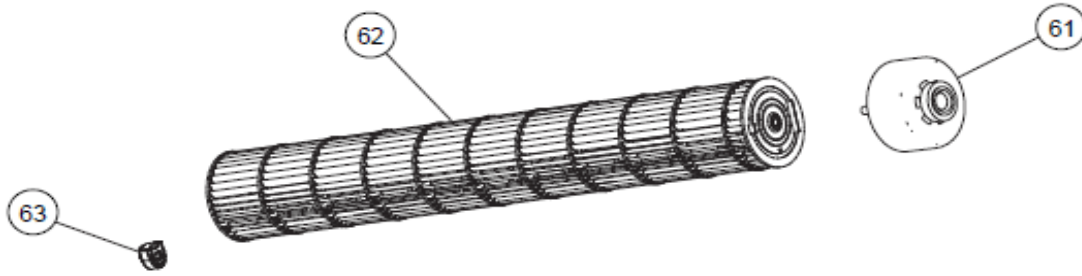
Bubble #	Item #	Description
12	K9318883008	AIR FILTER ASU9/12/15RLS2 PP 92N09 LIGHT GLAY
13	K9319351186	INTAKE GRILLE ASSY DW RLS2 ASUG09LTCA
14	K9318876000	FRONT PANEL DW RLS2 HIPS 10N13 LIGHT GRAY
15	K9318909005	FRONT PANEL COVER T RLS2 HIPS 10N13 LIGHT GRAY
16	K9318894004	DISPLAY PLATE HOLDER L RLS2 HIPS BLACK
17	K9318895001	DISPLAY PLATE HOLDER R RLS2 HIPS BLACK
18	K9318893007	DISPLAY PLATE R ASU9~15RLS2 PMMA 10N04 CLEAR GRAY
19	K9318900002	ARM COVER ASU9/12/15RLS2 HIPS 10N13 LIGHT GRAY
20	K9318899009	GRILLE STAY ASU9/12/15RLS2 HIPS PANTONE 123U ORANGE
21	K9316951006	GRILLE CLAMPER B RLS2 POM
22	K9318907001	MOTION LED DSPL CASE RLS2 HIPS 92N09 LIGHT GRAY
23	K9317755023	PYROELECTRIC SENSOR RLS2 FJZ-6

ASU12RLS2 -INDOOR



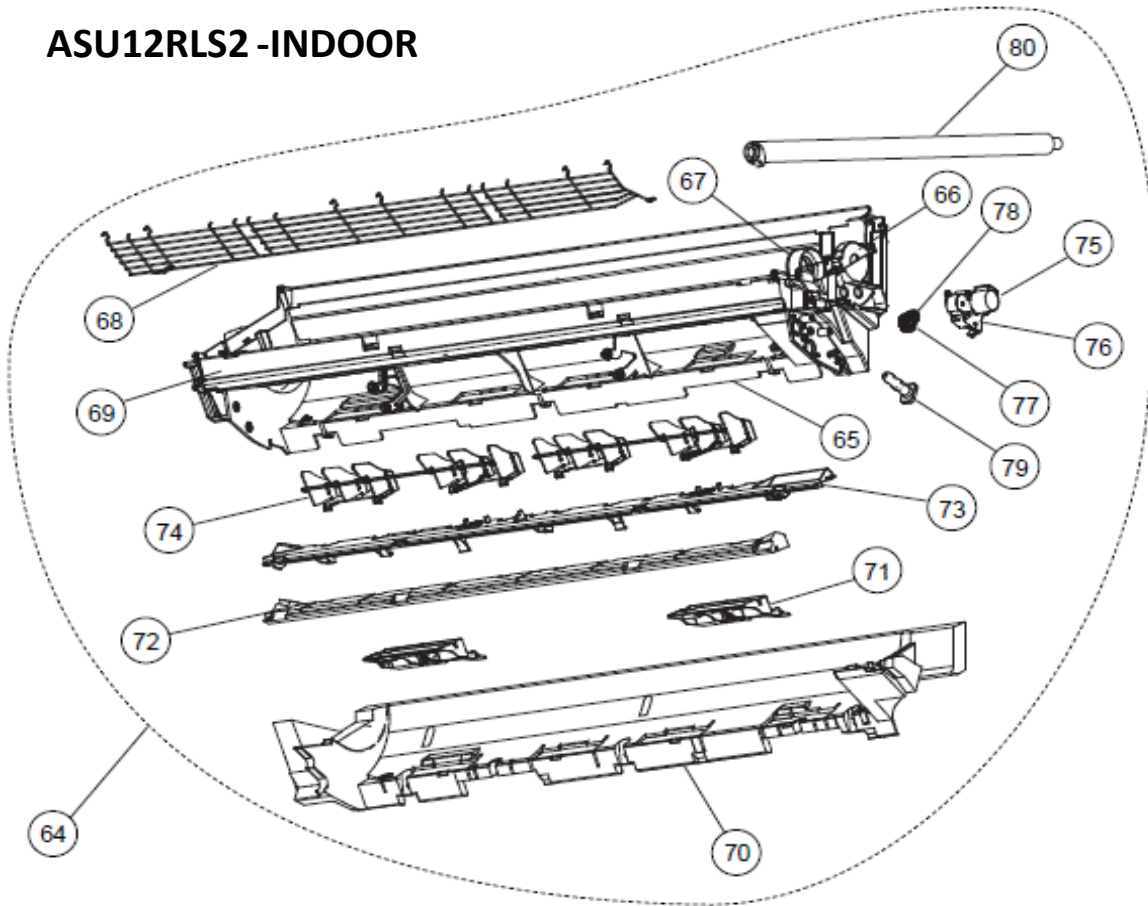
Bubble #	Item #	Description
31	K9319327006	EVAPORATOR TA DW 9/12RLS2
32	K9319322001	JOINT PIPE ASSY ASU9/12RLS2 ASYG12LUCA
33	K9318901009	JOINT PIPE HOLDER RLS2 PP NATURAL
34	K9318874006	BASE ASU9/12/15RLS2 HIPS 10N14 GRAY
35	K9318887006	FILTER GUIDE ASU9/12/15RLS2 HIPS NATURAL
36	K9318875003	EVAPORATOR HOLDER L RLS2 HIPS NATURAL
37	K9319295008	AIR SEAL ASU9/12/15RLS2 SGCC-Z-NC-X Z18 T0.5

ASU12RLS2 -INDOOR



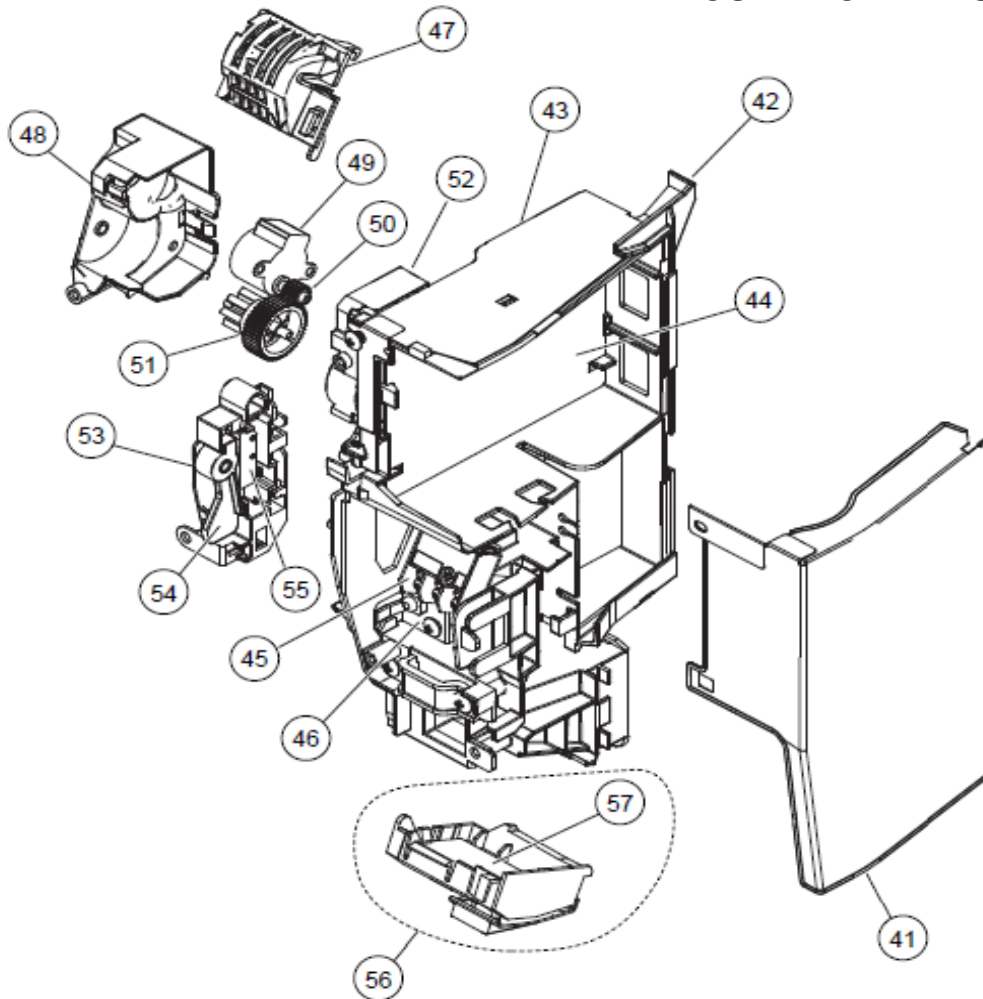
Bubble #	Item #	Description
61	K9602947003	MOTOR,DC BRUSHLESS RLS2 MFD-12TYL
62	K9319361000	CROSSFLOW FAN ASSY DW RLS2 ASG
63	K9306628017	HOLDER-C SHAFT RAC+RLXS# PLASTIC CROSS FLOW HOLDER

ASU12RLS2 -INDOOR



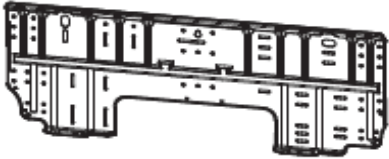











Bubble #	Item #	Description
64	K9319342009	CASING ASSY DW ASU9/12/15RLS2 ASYG12LUCA
66	K9316601000	COVER MOTOR HFI
67	K9318888003	MOTOR COVER ASU9/12/15RLS2 PP BLACK
68	K9318924008	FAN GUARD DW ASU9/12/15RLS2 SWM-B D1.6
69	K9318923001	CASING COVER F ASU9/12/15RLS2 PS-E
70	K9318920000	CASING COVER B ASU9/12/15RLS2 PS-E
71	K9318889000	PIPE BRACKET ASU9/12/15RLS2 HIPS BLACK
72	K9319296005	PANEL COVER ASU9/12/15RLS2 PS-E
73	K9318886009	LOUVER HOLDER ASU9/12/15RLS2 HIPS BLACK
74	K9318885002	R AND L LOUVER ASU9/12/15RLS2 PP BLACK
75	K9900384128	STEP MOTOR ASHFI 24BYJ48-1244 L=260
76	K9318905007	LOUVER GEAR HOLDER RLS2 POM NATURAL
77	K9318904000	LOUVER GEAR ASU9/12/15RLS2 POM NATURAL
78	K9309994003	GEAR A 410 RAC*# POM
79	K9316177017	CAP DRAIN RAC- HFI EPDM B3 610 BLACK
80	K9316904002	HOSE DRAIN ASSY RAC-RL HFI# PE

ASU12RLS2 -INDOOR

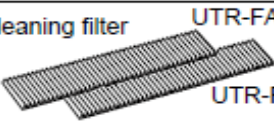



Bubble #	Item #	Description
41	K9318916003	COVER SHIELD A ASU9/12/15RLS2 SGCC-Z-CF-X Z18 T0.4
42	K9318882018	CONTROL BOX ASU9/12/15RLS2 ABS FR(17)
43	K9319344003	BOX SHIELD ASSY ASU9/12/15RLS2 ASYG12LUCA
44	K9708713212	CONTROLLER PCB ASSY ASU12RLS2 K10CH-110CHSE-C1
45	K9900638009	TERMINAL ASU9/12/15RLS2 HP-T3102-***
46	K9318918007	EARTH TERMINAL ASU9/12/15RLS2 SGCC-Z-CF-X Z18 T1.0
47	K9319068008	HOLDER ROOM THRM RLS2 ABS(TAINETU)
48	K9318902006	GEAR COVER ASU9/12/15RLS2 HIPS NATURAL
49	K9900384166	MOTOR,STEP ASU9/12/15RLS2 24BYJ48-1383 L=200
50	K9319294001	GEAR B ASU9/12/15RLS2 POM 98N61 WHITE
51	K9319293004	PANEL GEAR ASU9/12/15RLS2 POM 98N61 WHITE
52	K9318903003	GEAR CASE ASU9/12/15RLS2 HIPS NATURAL
53	K9319332000	SWITCH CASE ASU9/12/15RLS2 HIPS BLACK
54	K9319334004	GRILLE KEY TOP ASU9/12/15RLS2 POM NATURAL
55	K9900625009	SWITCH,MICRO ASU9/12/15RLS2 D3M-01K14-3(FG)
56	K9708823010	DISPLAY ASSY ASU9/12/15RLS2 EZ-0100RHSE-D
57	K9708824017	DISPLAY PCB ASY ASU9/12/15RLS2 K10CX-1000HSE-D0
A	K9900627003	THERMISTOR ASSEMBLY RLS2 EP6H503AR-10E059(TP)

ACCESSORIES

<p>Bracket panel</p> 	
<p>Remote control</p> 	
<p>Remote control holder</p> 	
<p>Cloth tape</p> 	
<p>Tapping screw (big) (φ 4 x 25)</p> 	
<p>Tapping screw (small) (φ 3 x 12)</p> 	

OPTIONAL

Name and Shape	Part number
<p>Air cleaning filter</p>  <p style="text-align: right;">UTR-FA16 UTR-FA16-2</p>	

Bubble #	Item #	Description
1	K9318913002	BRACKET PANEL DW RLS2 SGCC-Z-CF-X Z18 T2.5
2	K9319634005	REMOTE CONTROL ASU9~15RLS2 AR-REC1U
3	K9318912005	REMOTE HOLDER ASU9~15RLS2 ABS 10N08 WHITE
4	K9308117007	CLOTH TAPE 410A
5	K0700076046	SCREW TAPPING (BIG) SCREW MOUNTING BRACKET 04X20
6	K0700019036	SCREW TAPPING (SMALL) SCREW REMOTE HOLDER 03X12
7	K9317250009	AIR FILTER ASSY HFI RLS2 UTR-FA16 + UTR-FA16-2