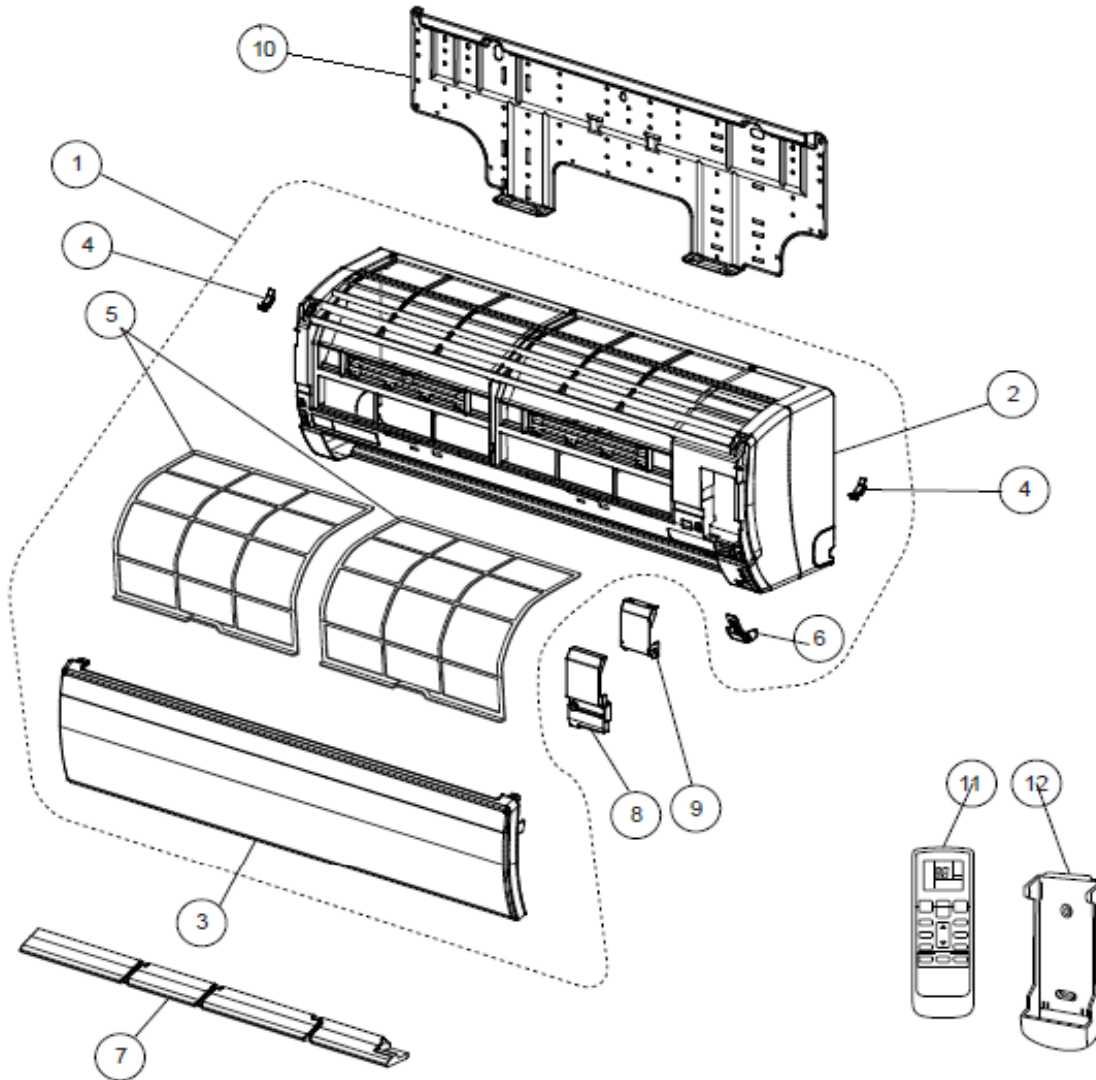


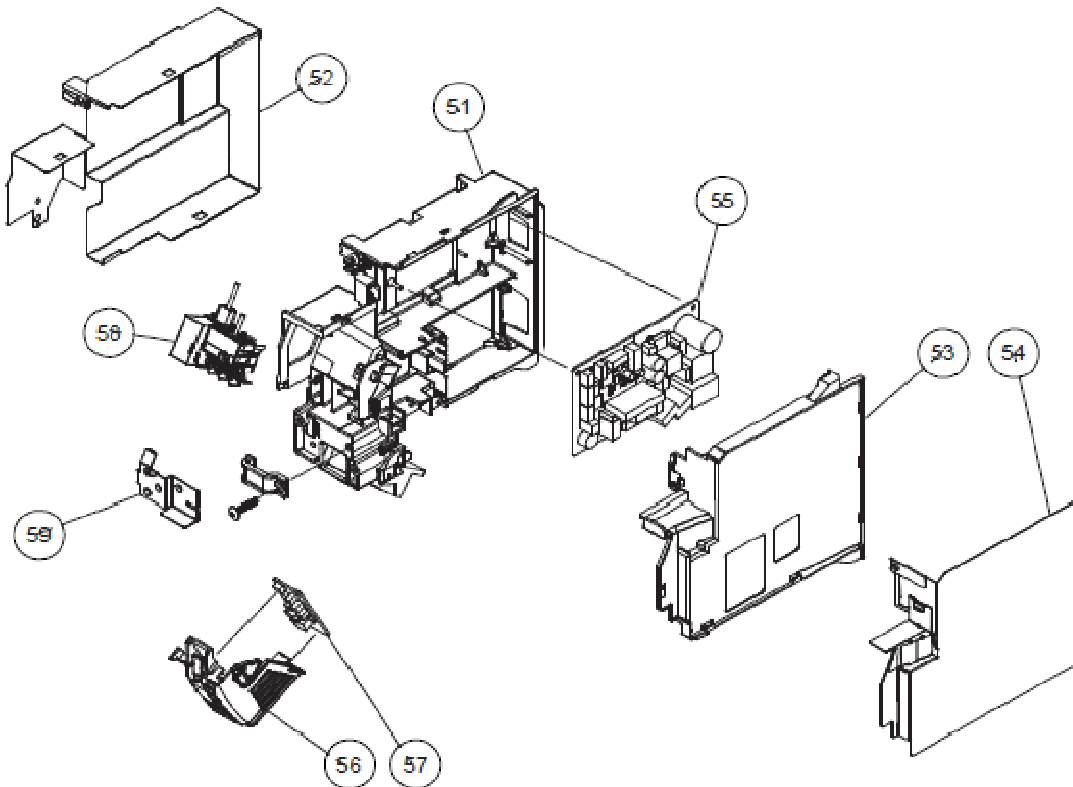
ASU12RLF - CABINetry & REMOTE



Bubble #	Part #	Description
1	K9318267044	FRONT PANEL TA ASHFI
2	K9317642057	FRONT PANEL ASHFI HIPS 03N11 WHITE
3	K9318268027	INTAKE GRILLE AS**RLF
4	K9316906006	GRILLE CLAMPER 410i RAC- POM
5	K9317644013	AIR FILTER 7/9RLF PP 88N32 LIGHT GRAY WASHABLE
6	K9317643016	RECEIVER WINDOW ASHFI
7	K9317646017	PANEL COVER ASHFI PS/PE WHITE
8	K9317663014	WIRE COVER HFI PPE 98N61
9	K9317664011	WIRE SHIELD HFI SGCC-Z-CF-X Z18 T0.4
10	K9317665001	BRACKET PANEL HFI SECC-CF-X E16/E16 T0.5
11	K9379219020	REMOTE CONTROL ASHFI AR-RAH1U
12	K9305642045	REMOTE HOLDER 410 PLASTIC LIGHT Replaces: K9305642014
A	K9317250009	AIR FILTER ASSY 410i RAC- UTR-FA16 + UTR-FA16-2

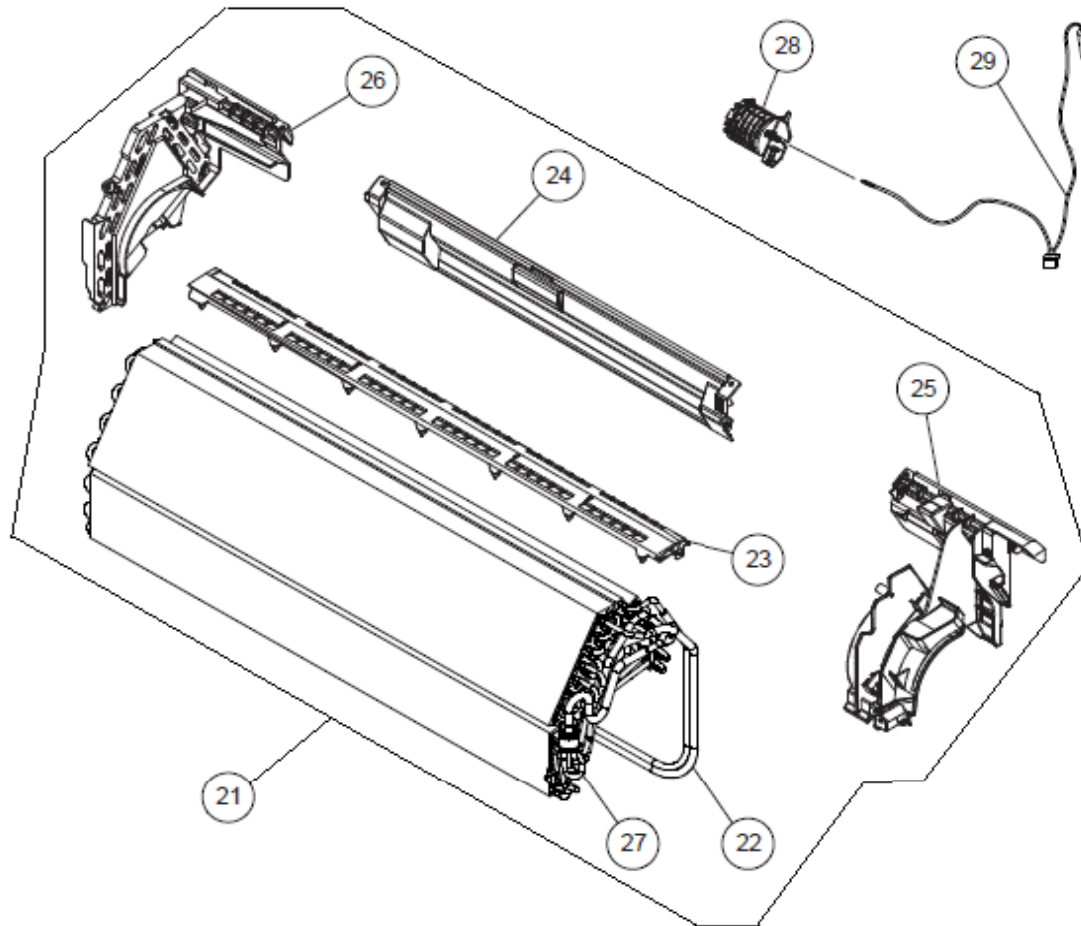
45	K9332277005	GUARD FAN HFI SWM-B D1.6
49	K9317656016	LOUVER U HFI
50	K9317657006	LOUVER Z HFI

ASU12RLF - ELECTRICAL ASSY



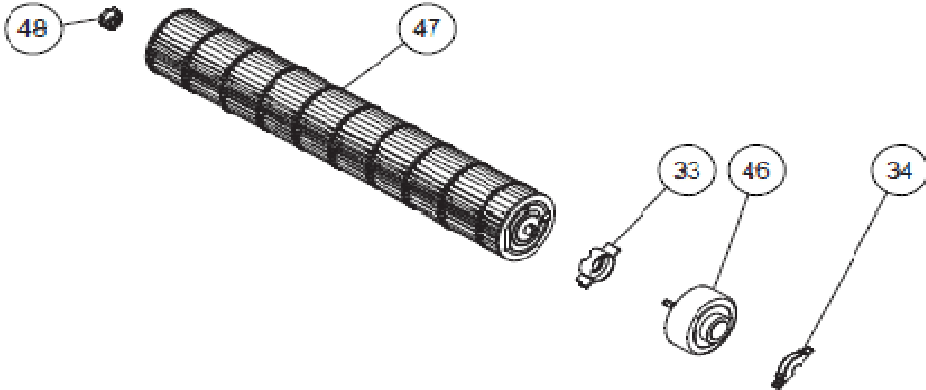
Bubble #	Part #	Description
51	K9318187014	CONTROL BOX HFI RLS
52	K9317575010	BOX SHIELD ASSY HFI AS-J22W-W
53	K9317659024	CONTROL COVER HFI
54	K9317923002	COVER SHIELD ASSY HFI AS-J22V-W
55	K9708536033	CONTROLLER PCB ASU12RLF# K09DS-1001HSE-C1
56	K9317662000	DISPLAY CASE ASHFI HIPS BLACK
57	K9707649024	DISPLAY PCB ASSY ASU**RLF# K07BJ-0900HSD-D0
58	K9900529017	TERMINAL 410i RAC- HP-T3102-1-A8-L2P
59	K9316586017	EARTH TERMINAL HFI SGCC-Z-CF-X Z18 T0.6
A	K0600378141	FUSE PACC RLF 3.15V 250V 8H17 (EM) FTC Replaces: K0600422011,K0600466015

ASU12RLF - EVAPORATOR ASSY



Bubble #	Part #	Description
21	K9317820011	EVAPORATOR TA AS7~12RLF W231
22	K9317838009	JOINT PIPE ASSY HFI# AS-J22V-W
23	K9317652001	FILTER GUIDE HFI PS NATURAL
24	K9317651004	REAR BRACKET HFI PP BLACK
25	K9317650007	HOLDER R EVAPORATOR 7~12RLF ABS NATURAL
26	K9317649001	HOLDER L EVAPORATOR 7~12RLF ABS NATURAL
27	K9318579000	DISTRIBUTOR ASSY ASU*HFI#
28	K9316895003	ROOM THERMISTOR HOLDER RAC-HFI PLASTIC
29	K9900563004	THERMISTOR ROOM & PIPE HFI EP6H503AR-09A056 PLUG IN

ASU12RLF - FAN & CROSSFLOW ASSY



Bubble #	Part #	Description
33	K9316568006	MOTOR COVER 410i RAC- PP
34	K9316601000	COVER MOTOR HFI
46	K9602704019	MOTOR DC BRUSHLESS RAC-RL# MFD-12TYAN DC280-340V 8P 30W
47	K9316830004	CROSSFLOW FAN ASSY RL- AS-E22T-W
48	K9306628017	HOLDER-C SHAFT RAC+RLXS# CROSS FLOW HOLDER