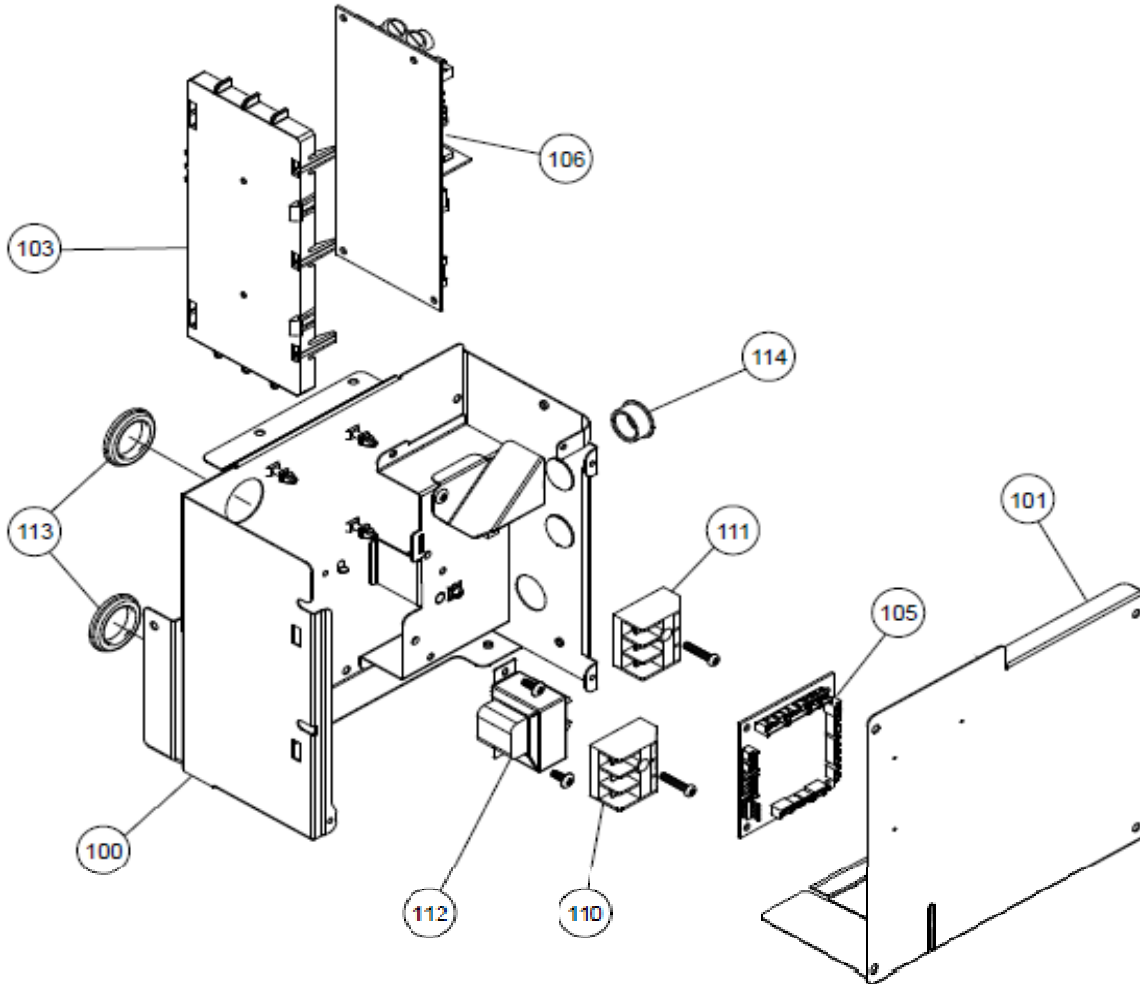
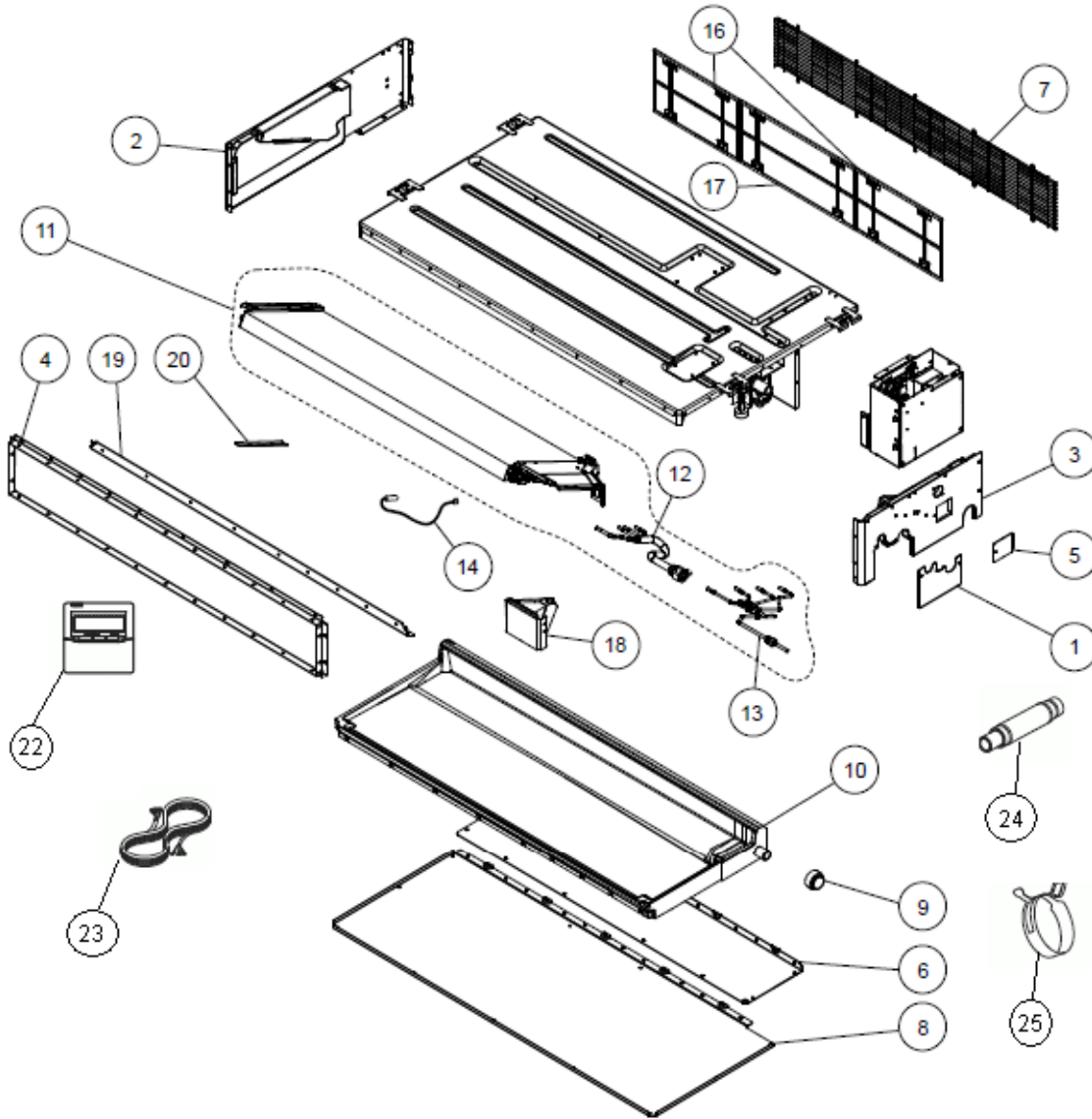


ARU24RLF - ELECTRICAL ASSY



Bubble #	Part #	Description
100	K9380041016	CONTROL BOX ASSY AR*HFI
101	K9379806022	CONTROL BOX COVER AR*HFI
105	K9707393705	CONTROLLER PCB ARU24RLF# K06AK-1004HSE-C1
106	K9707398243	POWER FILTER PCB AR*HFI# K06AL-1006HSE-PO
110	K9306489045	TERMINAL 3P AUU**RML# HP-T3031-3-L1
111	K9703345012	TERMINAL 3P WIRED REMOTE AUU*# HP-T3031-21
112	K9707457018	REACTOR ASSY AR*HFI RLEY41-18 (22MH 1.8A)
113	K9352173011	CAP POWER AUU**RML RUBBER (EPDM 1YR5)
114	K9374407019	ONE-TOUCH BUSHING AR*HFI TB-1926
A	K0600470012	FUSE AOHFI 3.15A 250V N5F013 HTR

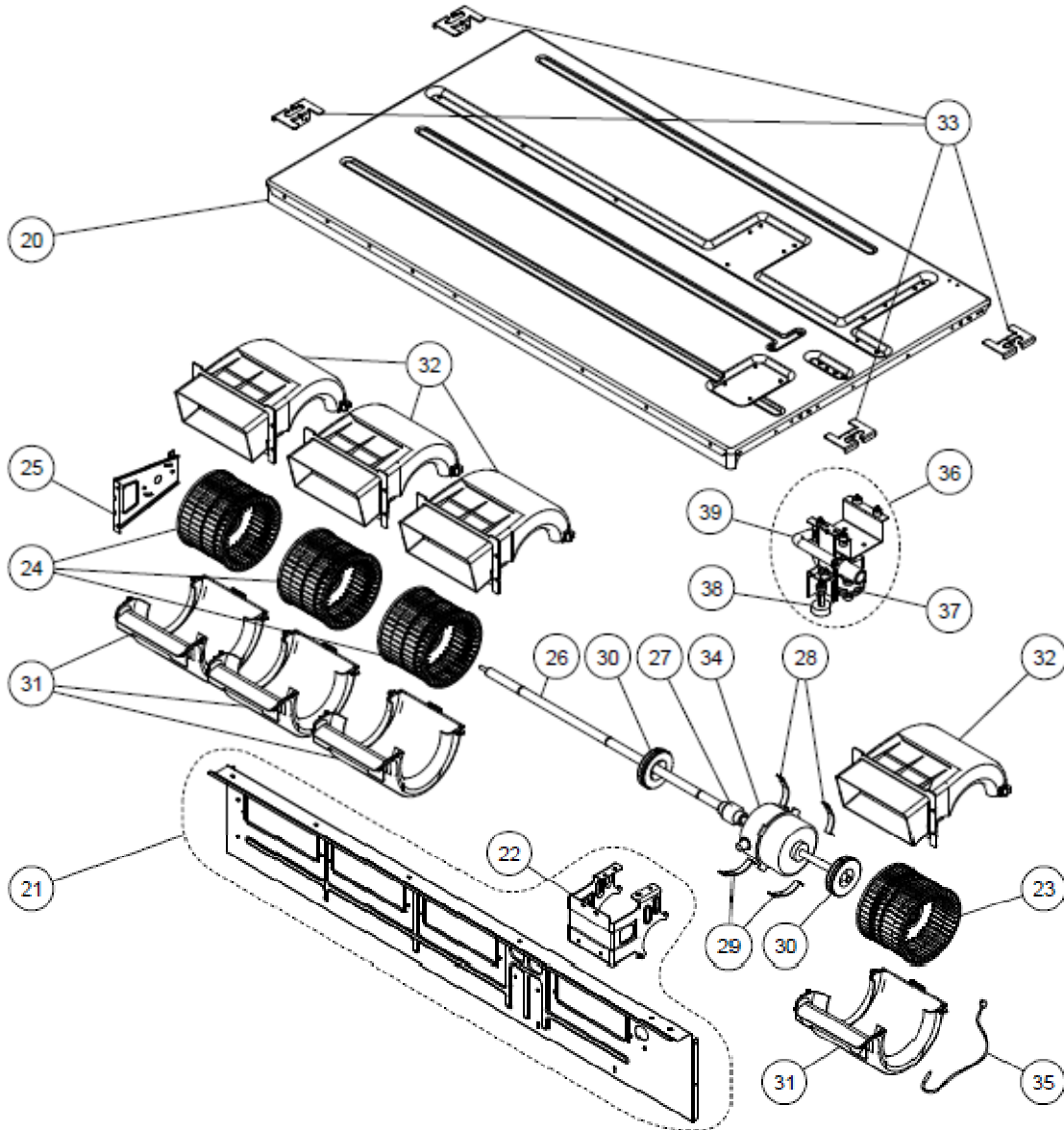
ARU24RLF - EVAPORATOR & CABINERY ASSY



Bubble #	Part #	Description
1	K9379900003	PIPE PANEL SUB ASSY AR*HFI
2	K9379906005	SIDE PANEL R AR*HFI
3	K9379907002	SIDE PANEL L AR*HFI
4	K9379909020	OUTLET FRAME SUB ASSY AR+HFI
5	K9379915007	PANEL (WINDOW)SUB ASSY AR*HFI
6	K9379598002	CABINET PANEL (4FANS) AR+HFI SGCC-Z-CF-X Z22 T0.6
7	K9379639002	FAN GUARD (4FAN) AR+HFI VB56 SWA D1.6
8	K9379902021	PANEL (MAIN) SUB ASSY AR+HFI
9	K9358746004	DRAIN CAP RUBBER ARU/ABU#
10	K9379901024	DRAIN PAN AR24RLF
11	K9364499611	EVAPORATOR TA AR24RLF
12	K9373038795	COUPLING AR24RLF#
14	K9900498085	THERMISTOR PIPE ASSY AR*HFI# PTM-51G-F10-9

16	K9379574006	AIR FILTER AR*HFI BLACK# VB51 PP L=300
17	K9379575003	AIR FILTER AR+HFI VB551 PP/L400
18	K9379576000	VALVE COVER AR*HFI
19	K9379595001	FRONT PANEL (4FAN) ARU24RLF
20	K9380033004	COVER PIPE AR+HFI
22	K9318593006	REMOTE CONTROL A*UHFI AR-WAE1U
23	K9372714010	REMOTE WIRE 410 AUU** UL1015 3P AWG22 L=30'
24	K9379665032	HOSE DRAIN AUU**HFI ID25-OD26L233
25	K9379757003	BAND HOSE AR*HFI

ARU24RLF - FAN MOTOR ASSY



Bubble #	Part #	Description
20	K9379908023	TOP PANEL ARHFI
21	K9379898027	SEPARATER ASSEMBLY AR24+HFI METAL W/K9379612005
22	K9379612005	MOTOR MOUNT AR*HFI
23	K9379570022	SIRROCO FAN ASSY AR+HFI ARXD18LATH
24	K9379570039	SIROCCO FAN ASSY AR+HFI
25	K9379627009	BRACKET (BEARING) AR+HFI
26	K9379805018	SHAFT ASSY AR+HFI
27	K9378038011	JOINT ASSY AR+HFI# RB86 NBR+ADS ID14-12
28	K9379613002	MOTOR BAND W/NUT AR*HFI#
29	K9379614009	MOTOR BAND W/O NUT AR*HFI#
30	K9379644006	RUBBER VIBRATION PROOF AR*HFI
31	K9379572002	CASING B AR*HFI

32	K9379571005	CASING U AR*HFI
33	K9379889001	HOOK (METAL) AR*HFI
34	K9602968015	MOTOR DC BRUSHLESS AR+HFI MFG-24WV AFG
35	K9703299247	THERMISTOR ROOM AR-+HFI# KTEC-41-FG2-24
36	K9379914000	DRAIN PUMP ASSY ARHFI
37	K9900472047	PUMP AR*HFI PLD-12230KG-9
38	K9900465032	FLOAT SWITCH AR*HFI S3004-
39	K9379913003	DRAIN HOSE ASSY AR*HFI D20-32