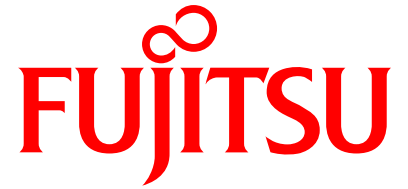


Split type air conditioner
Duct type (60Hz)



SERVICE MANUAL



Indoor unit	Outdoor unit
ARU12RGLX	AOU12RLFC
ARU18RGLX	AOU18RGLX
ARU24RGLX	AOU24RGLX
ARU30RGLX	AOU30RGLX
ARU36RGLX	AOU36RGLX
ARU42RGLX	AOU42RGLX
ARU48RGLX	AOU48RGLX

CONTENTS

SPECIFICATIONS.....	1
DIMENSIONS.....	10
REFRIGERANT CIRCUIT.....	16
PCB CIRCUIT DIAGRAM.....	19
ERROR CODE.....	25
PARTS (INDOOR UNIT).....	26
PARTS (OUTDOOR UNIT).....	41
ACCESSORIES.....	51

Specifications

Type				Duct	
				Inverter heat pump	
Model name				ARU12RGLX	
Power supply				208/230 V ~ 60 Hz	
Power supply intake				Outdoor unit	
Available voltage range				187—253 V	
Capacity	Cooling	Rated	kW	3.52	
			Btu/h	12,000	
		Min.—Max.	kW	0.9—4.0	
			Btu/h	3,100—13,600	
	Heating	47 °FDB (Outdoor temp.)	Rated	kW	4.69
			Btu/h	16,000	
			Min.—Max.	kW	0.9—5.7
		17 °FDB (Outdoor temp.)	Rated	kW	4.27
Btu/h			14,500		
Max.			kW	5.18	
Btu/h	17,600				
Input power	Cooling	Rated	kW	0.89	
				Min.—Max.	0.12—1.45
		Heating	47 °FDB (Outdoor temp.)	Rated	1.20
				Min.—Max.	0.14—1.84
	17 °FDB (Outdoor temp.)		Rated	1.28	
			Max.	1.97	
	Fan		HIGH	W	61
			MED	34	
			LOW	24	
			QUIET	16	
	Current	Cooling	Rated	A	3.9
					Heating
EER	Cooling		kW/kW	3.93	
			Btu/hW	13.4	
COP	Heating		kW/kW	3.90	
			Btu/hW	13.3	
SEER	Cooling		Btu/hW	21.3	
HSPF	Heating			11.7	
Power factor	Cooling		%	99.2	
	Heating			98.4	
Moisture removal			pints/h (L/h)	1.5 (0.7)	
Maximum operating current *1	Cooling		A	9.4	
	Heating			10.9	
Fan	Airflow rate	Cooling	HIGH	CFM (m³/h)	500 (850)
			MED	400 (680)	
			LOW	347 (590)	
			QUIET	300 (510)	
		Heating	HIGH	500 (850)	
			MED	400 (680)	
			LOW	347 (590)	
			QUIET	300 (510)	
	Type x Q'ty				Sirocco fan x 1
	Motor output			W	154
Static pressure range			Pa	30 to 200	
Sound pressure level *2	Cooling		HIGH	dB (A)	35
			MED	30	
			LOW	27	
			QUIET	24	
	Heating		HIGH	35	
			MED	30	
			LOW	27	
			QUIET	24	
Heat exchanger type	Dimensions (H x W x D)		in (mm)	16-9/16 x 18-1/16 x 1-9/16 (420 x 458 x 39.9)	
	Fin pitch		FPI	18	
	Rows x Stages			3 x 20	
	Pipe type			Copper	
	Fin type			Aluminum Hydrophilic coating	
	Enclosure			Material Steel	
Dimensions (H x W x D)	Net		in (mm)	11-13/16 x 27-9/16 x 27-9/16 (300 x 700 x 700)	
	Gross			15-3/4 x 36-15/16 x 34-7/16 (400 x 938 x 875)	
Weight	Net		lb (kg)	66 (30)	
	Gross			82 (37)	
Connection pipe	Size	Liquid	in (mm)	Ø 1/4 (Ø 6.35)	
		Gas		Ø 3/8 (Ø 9.52)	
Drain hose	Method			Flare	
	Material			PVC	
Operation range	Cooling		in (mm)	Ø 13/16 (20.7) [I.D.], Ø 1-1/16 (26.6) [O.D.] (VP25)	
			°F (°C)	64.4 to 89.6 (18 to 32)	
	Heating		%RH	80 or less	
			°F (°C)	60.8 to 86.0 (16 to 30)	

Type	Duct
	Inverter heat pump
Model name	ARU12RGLX
<p>NOTES:</p> <ul style="list-style-type: none"> • Specifications are based on the following conditions: <ul style="list-style-type: none"> – Cooling: Indoor temperature of 80 °FDB/67 °FWB (26.67 °CDB/19.44 °CWB), and outdoor temperature of 95 °FDB/75 °FWB (35 °CDB/23.9 °CWB). – Heating: Indoor temperature of 70 °FDB/59 °FWB (21.11 °CDB/15 °CWB), and outdoor temperature of 47 °FDB/43 °FWB (8.33 °CDB/6.11 °CWB). – Pipe length: 24 ft 7 in (7.5 m), Height difference: 0 ft (0 m). (Between outdoor unit and indoor unit.) – Standard static pressure: 0.18 in.WG (45 Pa) • Protective function might work when using it outside the operation range. • *1: Maximum current: <ul style="list-style-type: none"> – The maximum value when operated within the operation range. – The total current of indoor unit and outdoor unit. • *2: Sound pressure level: <ul style="list-style-type: none"> – Measured values in manufacturer's anechoic chamber. – Because of the surrounding sound environment, the sound levels measured in actual installation conditions might be higher than the specified values here. 	

Type				Duct			
				Inverter heat pump			
Model name				ARU18RGLX	ARU24RGLX	ARU30RGLX	
Power supply				208/230 V ~ 60 Hz			
Power supply intake				Outdoor unit			
Available voltage range				187—253 V			
Capacity	Cooling	Rated	kW	5.28	7.03	8.79	
			Btu/h	18,000	24,000	30,000	
		Min.—Max.	kW	1.58—6.30	1.58—8.5	2.81—10.26	
			Btu/h	5,400—21,500	5,400—29,000	9,600—35,000	
	Heating	Rated	kW	6.15	7.91	9.38	
			Btu/h	21,000	27,000	32,000	
		Min.—Max.	kW	1.58—7.5	1.58—9.5	2.7—11.43	
			Btu/h	5,400—25,600	5,400—32,400	9,200—39,000	
		47 °FDB (Outdoor temp.)	Rated	kW	4.76	6.07	7.25
			Btu/h	16,200	20,700	24,700	
17 °FDB (Outdoor temp.)	kW	5.81	7.29	8.83			
	Btu/h	19,800	24,800	30,100			
Input power	Cooling	Rated	kW	1.38	1.90	2.83	
			Min.—Max.	0.53—2.08	0.63—2.82	0.70—3.43	
		47 °FDB (Outdoor temp.)	Rated	kW	1.50	2.06	2.48
			Min.—Max.	0.51—2.19	0.54—2.96	0.62—3.27	
	Heating	Rated	kW	1.49	2.36	2.53	
			Max.	2.17	3.39	3.33	
		17 °FDB (Outdoor temp.)	HIGH	53	84	139	
			MED	30	44	79	
	Fan	LOW	22	27	58		
			QUIET	15	15	46	
Cooling		Rated	A	6.1	8.3	12.4	
		Heating	6.6	9.0	10.9		
EER	Cooling	kW/kW	3.81	3.69	3.11		
		Btu/hW	13.0	12.6	10.6		
COP	Heating	kW/kW	4.10	3.84	3.78		
		Btu/hW	14.0	13.1	12.9		
SEER	Cooling	Btu/hW	19.0	17.5	16.5		
HSPF	Heating	Btu/hW	10.9	10.8	10.4		
Power factor	Cooling	%	98.4	99.5	99.2		
	Heating	98.8	99.5	98.9			
Moisture removal			pints/h (L/h)	3.8 (1.8)	4.0 (1.9)	5.1 (2.4)	
Maximum operating current *1	Cooling			A	13.6	15.6	15.6
	Heating			14.1	16.1	16.1	
Fan	Airflow rate	Cooling	HIGH	618 (1,050)	800 (1,360)	1,001 (1,700)	
			MED	494 (840)	636 (1,080)	800 (1,360)	
			LOW	430 (730)	518 (880)	700 (1,190)	
			QUIET	371 (630)	400 (680)	630 (1,070)	
		Heating	HIGH	618 (1,050)	800 (1,360)	1,001 (1,700)	
			MED	494 (840)	636 (1,080)	800 (1,360)	
			LOW	430 (730)	518 (880)	700 (1,190)	
			QUIET	371 (630)	400 (680)	630 (1,070)	
	Type x Q'ty	Sirocco fan x 2					
	Motor output			W	197	375	
Static pressure range			Pa	30 to 200			
Sound pressure level *2	Cooling	HIGH	dB (A)	31	35	38	
				MED	28	30	34
				LOW	25	28	30
				QUIET	24	24	29
	Heating	HIGH	31	35	38		
			MED	28	30	34	
			LOW	25	28	30	
			QUIET	24	24	29	
			Dimensions (H x W x D)	in (mm)	16-9/16 x 29-13/16 x 1-9/16 (420 x 758 x 39.9)		
			Fin pitch	FPI	18		
Rows x Stages	3 x 20						
Pipe type	Copper						
Fin type	Aluminum Hydrophilic coating						
Enclosure	Material	Steel					
	Color	—					
Dimensions (H x W x D)	Net	11-13/16 x 39-3/8 x 27-9/16 (300 x 1,000 x 700)					
	Gross	15-3/4 x 48-3/4 x 34-7/16 (400 x 1,238 x 875)					
Weight	Net	93 (42)					
	Gross	110 (50)					
Connection pipe	Size	Liquid	Ø 1/4 (Ø 6.35)		Ø 3/8 (Ø 9.52)		
		Gas	Ø 1/2 (Ø 12.7)		Ø 5/8 (Ø 15.88)		
Drain hose	Method	Flare					
	Material	PVC					
Operation range	Cooling	°F (°C)	Ø 13/16 (20.7) [I.D.], Ø 1-1/16 (26.6) [O.D.] (VP25)				
		%RH	64.4 to 89.6 (18 to 32)				
Operation range	Heating	°F (°C)	80 or less				
		%RH	60.8 to 86.0 (16 to 30)				

Type	Duct		
	Inverter heat pump		
Model name	ARU18RGLX	ARU24RGLX	ARU30RGLX
<p>NOTES:</p> <ul style="list-style-type: none"> • Specifications are based on the following conditions: <ul style="list-style-type: none"> – Cooling: Indoor temperature of 80 °FDB/67 °FWB (26.67 °CDB/19.44 °CWB), and outdoor temperature of 95 °FDB/75 °FWB (35 °CDB/23.9 °CWB). – Heating: Indoor temperature of 70 °FDB/59 °FWB (21.11 °CDB/15 °CWB), and outdoor temperature of 47 °FDB/43 °FWB (8.33 °CDB/6.11 °CWB). – Pipe length: 24 ft 7 in (7.5 m), Height difference: 0 ft (0 m). (Between outdoor unit and indoor unit.) – Standard static pressure: 0.18 in.WG (45 Pa): 18, and 24 model, 0.23 in.WG (57 Pa): 30 model • Protective function might work when using it outside the operation range. • *1: Maximum current: <ul style="list-style-type: none"> – The maximum value when operated within the operation range. – The total current of indoor unit and outdoor unit. • *2: Sound pressure level: <ul style="list-style-type: none"> – Measured values in manufacturer's anechoic chamber. – Because of the surrounding sound environment, the sound levels measured in actual installation conditions might be higher than the specified values here. 			

Type				Duct				
				Inverter heat pump				
Model name				ARU36RGLX	ARU42RGLX	ARU48RGLX		
Power supply				208/230 V ~ 60 Hz				
Power supply intake				Outdoor unit				
Available voltage range				187—253 V				
Capacity	Cooling		Rated	kW	10.55	12.31	14.07	
				Btu/h	36,000	42,000	48,000	
			Min.—Max.	kW	2.81—11.43	5.01—13.19	5.01—14.65	
				Btu/h	9,600—39,000	17,100—45,000	17,100—50,000	
	Heating	47 °FDB (Outdoor temp.)	Rated	kW	10.55	13.77	15.50	
				Btu/h	36,000	47,000	53,000	
			Min.—Max.	kW	2.7—14.07	5.28—14.95	5.28—16.12	
					Btu/h	9,200—48,000	18,000—51,000	18,000—55,000
		17 °FDB (Outdoor temp.)	Rated	kW	8.10	11.12	12.00	
			Btu/h	27,600	37,900	40,900		
Max.	kW		10.8	12.07	12.48			
			Btu/h	36,800	41,100	42,500		
Input power	Cooling		Rated	kW	3.60	3.65	4.75	
			Min.—Max.		0.70—4.00	0.75—4.47	0.75—5.01	
	Heating	47 °FDB (Outdoor temp.)	Rated	2.88	3.67	4.45		
			Min.—Max.	0.62—4.38	0.67—4.57	0.67—4.77		
		17 °FDB (Outdoor temp.)	Rated	3.29	3.66	4.44		
			Max.	5.01	4.56	4.76		
	Fan		HIGH	W	COOL: 158 HEAT: 122	229	248	
			MED		94	132	146	
			LOW		59	80	87	
			QUIET		40	62	66	
Current	Cooling		Rated	A	15.8	16.0	20.9	
			Heating		12.6	16.1	19.5	
EER	Cooling		kW/kW	2.93	3.37	2.96		
			Btu/hW	10.0	11.5	10.1		
COP	Heating		kW/kW	3.66	3.75	3.49		
			Btu/hW	12.5	12.8	11.9		
SEER	Cooling		Btu/hW	16.7	17.8	16.6		
HSPF	Heating		Btu/hW	11.3	10.5	10.3		
Power factor	Cooling		kW/kW	99.1	99.2	98.8		
	Heating		kW/kW	99.4	99.1	99.2		
Moisture removal				pints/h (L/h)	5.3 (2.5)	5.5 (2.6)	8.2 (3.9)	
Maximum operating current *1	Cooling			A	17.6	19.7	22.2	
					Heating	19.1	19.7	20.7
Fan	Airflow rate	Cooling	HIGH	CFM (m³/h)	1,207 (2,050)	1,501 (2,550)	1,501 (2,550)	
			MED		965 (1,640)	1,201 (2,040)	1,201 (2,040)	
			LOW		783 (1,330)	971 (1,650)	971 (1,650)	
			QUIET		630 (1,070)	842 (1,430)	842 (1,430)	
		Heating	HIGH		1,089 (1,850)	1,501 (2,550)	1,501 (2,550)	
			MED		965 (1,640)	1,201 (2,040)	1,201 (2,040)	
			LOW		783 (1,330)	971 (1,650)	971 (1,650)	
			QUIET		630 (1,070)	842 (1,430)	842 (1,430)	
	Type × Q'ty				Sirocco fan × 3			
	Motor output				W			
Static pressure range				Pa	30 to 200	30 to 180		
Sound pressure level *2	Cooling		HIGH	dB (A)	37	40	40	
			MED		33	35	35	
			LOW		30	33	33	
			QUIET		26	29	29	
	Heating		HIGH		35	40	40	
			MED		33	35	35	
			LOW		30	33	33	
			QUIET		26	29	29	
Heat exchanger type	Dimensions (H × W × D)			in (mm)	16-9/16 × 45-9/16 × 1-9/16 (420 × 1,158 × 39.9)			
	Fin pitch			FPI	18			
	Rows × Stages				3 × 20			
	Pipe type				Copper			
	Fin type				Aluminum Hydrophilic coating			
Enclosure				Material	Steel			
Color				—				
Dimensions (H × W × D)	Net				in (mm)	11-13/16 × 55-1/8 × 27-9/16 (300 × 1,400 × 700)		
	Gross					15-3/4 × 64-1/2 × 34-7/16 (400 × 1,638 × 875)		
Weight	Net				lb (kg)	121 (55)		
	Gross					141 (64)		
Connection pipe	Size	Liquid				in (mm)	Ø 3/8 (Ø 9.52)	
		Gas					Ø 5/8 (Ø 15.88)	
	Method				Flare			
Drain hose	Material				PVC			
	Size				in (mm)	Ø 13/16 (20.7) [I.D.], Ø 1-1/16 (26.6) [O.D.] (VP25)		
Operation range	Cooling			°F (°C)	64.4 to 89.6 (18 to 32)			
				%RH	80 or less			
	Heating			°F (°C)	60.8 to 86.0 (16 to 30)			

Type	Duct		
	Inverter heat pump		
Model name	ARU36RGLX	ARU42RGLX	ARU48RGLX
<p>NOTES:</p> <ul style="list-style-type: none"> • Specifications are based on the following conditions: <ul style="list-style-type: none"> – Cooling: Indoor temperature of 80 °FDB/67 °FWB (26.67 °CDB/19.44 °CWB), and outdoor temperature of 95 °FDB/75 °FWB (35 °CDB/23.9 °CWB). – Heating: Indoor temperature of 70 °FDB/59 °FWB (21.11 °CDB/15 °CWB), and outdoor temperature of 47 °FDB/43 °FWB (8.33 °CDB/6.11 °CWB). – Pipe length: 24 ft 7 in (7.5 m), Height difference: 0 ft (0 m). (Between outdoor unit and indoor unit.) – Standard static pressure: 0.23 in.WG (57 Pa): 36 and 42 model, 0.28 in.WG (70 Pa): 48 model • Protective function might work when using it outside the operation range. • *1: Maximum current: <ul style="list-style-type: none"> – The maximum value when operated within the operation range. – The total current of indoor unit and outdoor unit. • *2: Sound pressure level: <ul style="list-style-type: none"> – Measured values in manufacturer's anechoic chamber. – Because of the surrounding sound environment, the sound levels measured in actual installation conditions might be higher than the specified values here. 			

Type				Inverter heat pump	
Model name				AOU12RLFC	
Power supply				208/230 V ~ 60 Hz	
Power supply intake				Outdoor unit	
Available voltage range				187—253 V	
Starting current				6.7	
Fan	Airflow rate	Cooling	CFM (m ³ /h)	1,207 (2,050)	
		Heating		1,083 (1,840)	
	Type x Q'ty			Propeller x 1	
Motor output		W	49		
Sound pressure level *		Cooling	dB (A)	49	
		Heating		50	
Heat exchanger type		Dimensions (H x W x D)	in (mm)	23-5/32 x 34-11/16 x 1-7/16 (588 x 881 x 36.4)	
		Fin pitch	FPI	20	
		Rows x Stages			2 x 28
		Pipe type			Copper
		Fin	Type (Material)	Aluminum	
		Surface treatment	PC fin		
Compressor	Type x Q'ty			Rotary x 1	
	Motor output	W	850		
Refrigerant		Type	R410A		
		Factory charge	lb (g)	2 lb 10 oz (1,200)	
Refrigerant oil		Type	FREOL α68SZ		
		Amount	in ³ (cm ³)	21.4 (350)	
Enclosure		Material	Steel		
		Color	Beige Approximate color of Munsell 10YR 7.5/1.0		
Dimensions (H x W x D)	Net	in (mm)	24-1/2 x 31-3/32 x 11-11/32 (620 x 790 x 290)		
	Gross		28-1/16 x 37-7/32 x 15-9/16 (713 x 945 x 395)		
Weight	Net	lb (kg)	84 (38)		
	Gross		93 (42)		
Connection pipe	Size	Liquid	in (mm)	Ø1/4 (6.35)	
		Gas		Ø3/8 (9.52)	
	Method	Flare			
	Pre-charge length	ft (m)	49 (15)		
	Max. length		66 (20)		
Max. height difference	49 (15)				
Operation range		Cooling	°F (°C)	14 to 115 (-10 to 46)	
		Heating		-4 to 75 (-20 to 24)	
Drain hose	Material			LDPE	
	Size	in (mm)	Ø1/2 (Ø13.0) [I.D.], Ø5/8 to Ø11/16 (Ø16.0 to Ø16.7) [O.D.]		
NOTES:					
<ul style="list-style-type: none"> • Specifications are based on the following conditions: <ul style="list-style-type: none"> – Cooling: Indoor temperature of 80 °FDB/67 °FWB(26.67 °CDB/19.44 °CWB), and outdoor temperature of 95 °FDB/75 °FWB (35 °CDB/23.9 °CWB). – Heating: Indoor temperature of 70 °FDB/59 °FWB (21.11 °CDB/15 °CWB), and outdoor temperature of 47 °FDB /43 °FWB (8.33 °CDB/6.11 °CWB). – Pipe length: 24 ft 7 in (7.5 m), Height difference: 0 m. (Between outdoor unit and indoor unit.) • Protective function might work when using it outside the operation range. • *: Sound pressure level <ul style="list-style-type: none"> – Measured values in manufacturer's anechoic chamber. – Because of the surrounding sound environment, the sound levels measured in actual installation conditions might be higher than the specified values here. 					

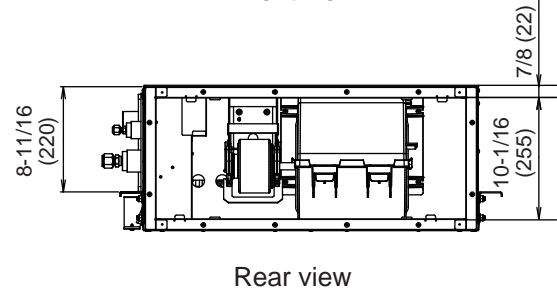
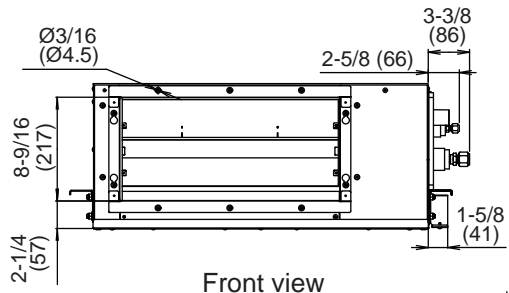
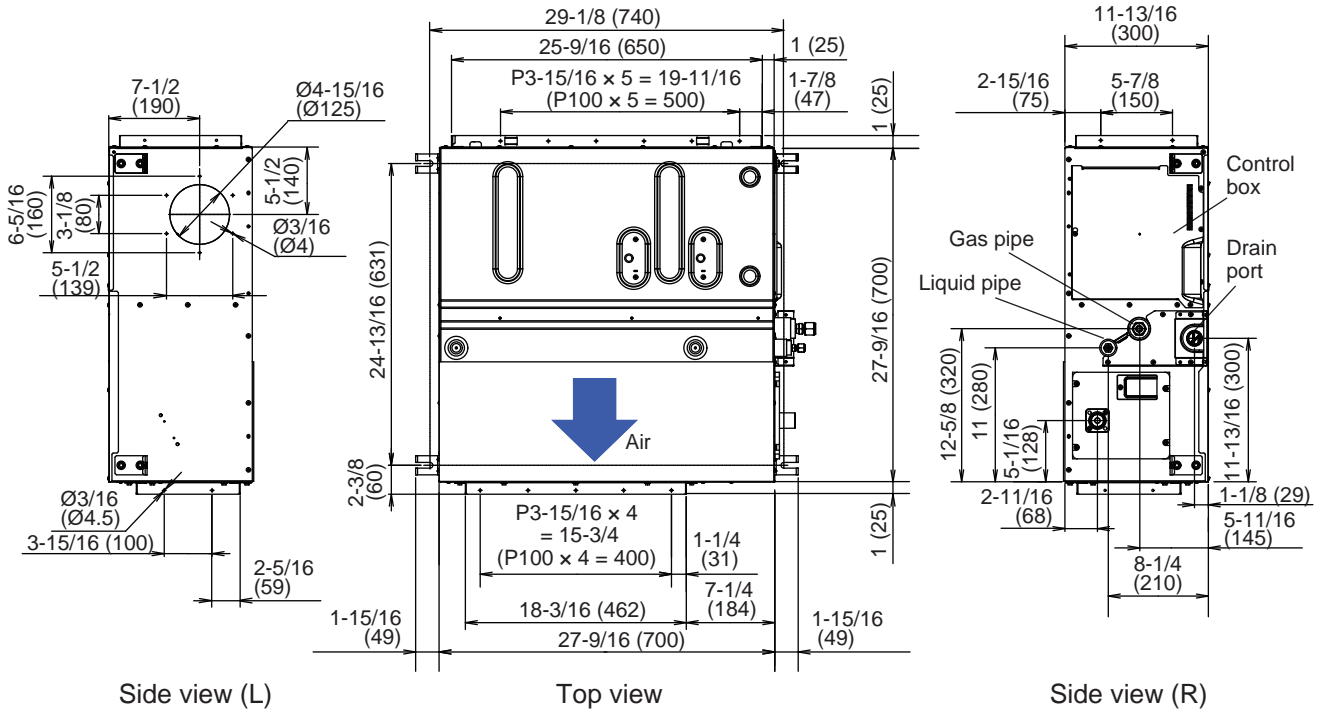
Type			Inverter heat pump				
Model name			AOU18RGLX	AOU24RGLX	AOU30RGLX	AOU36RGLX	
Power supply			208/230 V ~ 60 Hz				
Power supply intake			Outdoor unit				
Available voltage range			187–253 V				
Starting current			A	6.6	9.6	11.5	16.1
Fan	Airflow rate	Cooling	CFM (m ³ /h)	1,177 (2,000)	2,119 (3,600)	2,119 (3,600)	2,237 (3,800)
		Heating		1,489 (2,530)	2,119 (3,600)	2,119 (3,600)	2,237 (3,800)
	Type x Qty	Propeller x 1					
Motor output			W	100			
Sound pressure level *	Cooling		dB (A)	47	55	53	54
	Heating			50	56	55	56
Heat exchanger type	Dimensions (H x W x D)		in	31-7/16 x 35-7/16 x 1-7/16			
			mm	798 x 900 x 36.4			
	Fin pitch		FPI	20			
	Rows x Stages		2 x 38				
	Pipe type		Copper				
	Fin		Type (Material)	Aluminum			
		Surface treatment	PC Fin				
Compressor	Type x Qty		Rotary x 1				
	Motor output		W	2,100			
Refrigerant	Type		R410A				
	Charge	lb oz	4 lb 10.1 oz				
		g	2,100				
Refrigerant oil	Type		POE (RB68)				
	Amount		in ³ (cm ³)	48.8 (800)			
Enclosure	Material		Steel				
	Color		Beige Approximate color of Munsell 10YR 7.5/1.0				
Dimensions (H x W x D)	Net		in (mm)	32-11/16 x 35-7/16 x 13 (830 x 900 x 330)			
	Gross		in (mm)	39-3/8 x 41-5/16 x 17-1/2 (1,000 x 1,050 x 445)			
Weight	Net		lb (kg)	134 (61)			
	Gross			152 (69)			
Connection pipe	Size	Liquid	in (mm)	Ø1/4 (6.35)	Ø3/8 (9.52)		
		Gas		Ø1/2 (12.70)	Ø5/8 (15.88)		
	Method		Flare				
	Pre-charge length		ft (m)	65 (20)			
	Max. length			164 (50)			
Max. height difference		98 (30)					
Operation range	Cooling		°F (°C)	-4 to 115 (-20 to 46)			
	Heating			-4 to 75 (-20 to 24)			
Drain hose	Material		LDPE				
	Size		in (mm)	Ø1/2 (13.0) [I.D.], Ø5/8 to Ø11/16 (16.0 to 16.7) [O.D.]			
NOTES:							
<ul style="list-style-type: none"> Specifications are based on the following conditions: <ul style="list-style-type: none"> Cooling: Indoor temperature of 80 °FDB (26.67 °CDB) / 67 °FWB (19.44 °CWB), and outdoor temperature of 95 °FDB (35 °CDB) / 75 °FWB (23.9 °CWB). Heating: Indoor temperature of 70 °FDB (21.11 °CDB) / 59 °FWB (15 °CWB), and outdoor temperature of 47 °FDB (8.33 °CDB) / 43 °FWB (6.11 °CWB). Pipe length: 24 ft 6 in (7.5 m), Height difference: 0 ft (0 m). (Between outdoor unit and indoor unit.) Protective function might work when using it outside the operation range. *: Sound pressure level <ul style="list-style-type: none"> Measured values in manufacturer's anechoic chamber. Because of the surrounding sound environment, the sound levels measured in actual installation conditions might be higher than the specified values here. 							

Type			Inverter heat pump	
Model name			AOU42RGLX	AOU48RGLX
Power supply			208/230 V ~ 60 Hz	
Power supply intake			Outdoor unit	
Available voltage range			187—253 V	
Starting current		A	16.8	20.9
Fan	Airflow rate	Cooling	3,973 (6,750)	4,061 (6,900)
		Heating		
	Type x Qty		3,649 (6,200)	4,091 (6,950)
Motor output		W	Propeller x 2 100	
Sound pressure level *	Cooling	dB (A)	55	57
	Heating		57	59
Heat exchanger type	Dimensions (H x W x D)	in (mm)	49-8/5 x 35-7/16 x 1-7/16 (1,260 x 900 x 36.4)	
	Fin pitch	FPI	20	
	Rows x Stages		2 x 22 2 x 38	
	Pipe type		Copper	
	Fin	Type (Material) Surface treatment	Aluminum PC Fin	
Compressor	Type x Qty		Twin rotary x 1	
	Motor output	W	3,750	
Refrigerant	Type		R410A	
	Charge	lb oz	7 lb 10.1 oz	
		g	3,450	
Refrigerant oil	Type		POE (VG74)	
	Amount	in ³ (cm ³)	94.6 (1,550)	
Enclosure	Material		Steel	
	Color		Beige Approximate color of MUNSSELL 10YR 7.5/1.0	
Dimensions (H x W x D)	Net	in (mm)	50-13/16 x 35-7/16 x 13 (1,290 x 900 x 330)	
	Gross	in (mm)	57-1/2 x 41-5/16 x 17-1/2 (1,460 x 1,050 x 445)	
Weight	Net	lb (kg)	209 (95)	
	Gross		231 (105)	
Connection pipe	Size	Liquid	Ø3/8 (9.52)	
		Gas	Ø5/8 (15.88)	
	Method		Flare	
	Pre-charge length	ft (m)	98 (30)	
	Max. length		246 (75)	
Max. height difference	98 (30)			
Operation range	Cooling	°F (°C)	-4 to 115 (-20 to 46)	
	Heating		-4 to 75 (-20 to 24)	
Drain hose	Material		LDPE	
	Size	in (mm)	Ø1/2 (13.0) [I.D.], Ø5/8 to Ø11/16 (16.0 to 16.7) [O.D.]	
NOTES:				
<ul style="list-style-type: none"> • Specifications are based on the following conditions: <ul style="list-style-type: none"> – Cooling: Indoor temperature of 80 °FDB (26.67 °CDB) / 67 °FWB (19.44 °CWB), and outdoor temperature of 95 °FDB (35 °CDB) / 75 °FWB (23.9 °CWB). – Heating: Indoor temperature of 70 °FDB (21.11 °CDB) / 59 °FWB (15 °CWB), and outdoor temperature of 47 °FDB (8.33 °CDB) / 43 °FWB (6.11 °CWB). – Pipe length: 24 ft 6 in (7.5 m), Height difference: 0 ft (0 m). (Between outdoor unit and indoor unit.) • Protective function might work when using it outside the operation range. • *: Sound pressure level <ul style="list-style-type: none"> – Measured values in manufacturer's anechoic chamber. – Because of the surrounding sound environment, the sound levels measured in actual installation conditions might be higher than the specified values here. 				

Dimensions

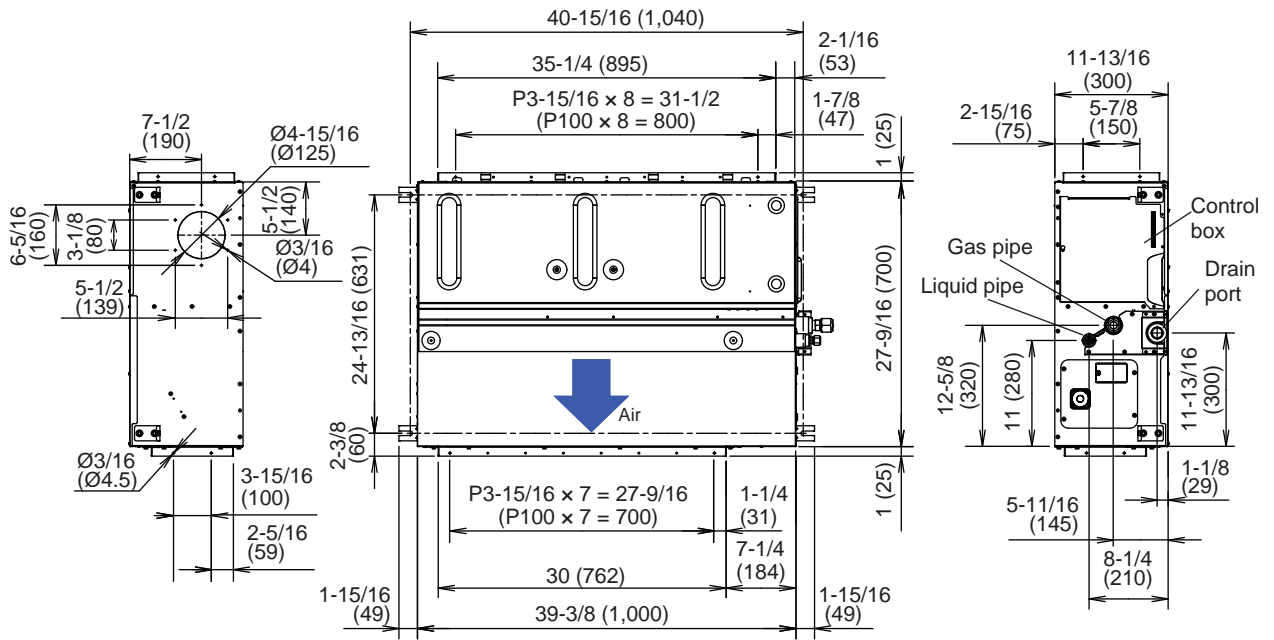
Model: ARU12RGLX

Unit: in (mm)



Models: ARU18RGLX, ARU24RGLX, and ARU30RGLX

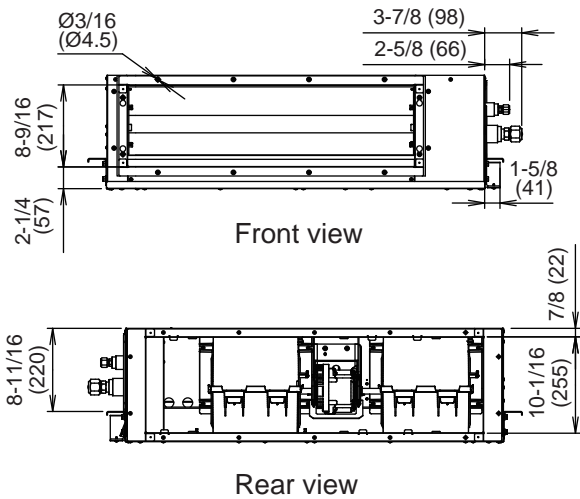
Unit: in (mm)



Side view (L)

Top view

Side view (R)

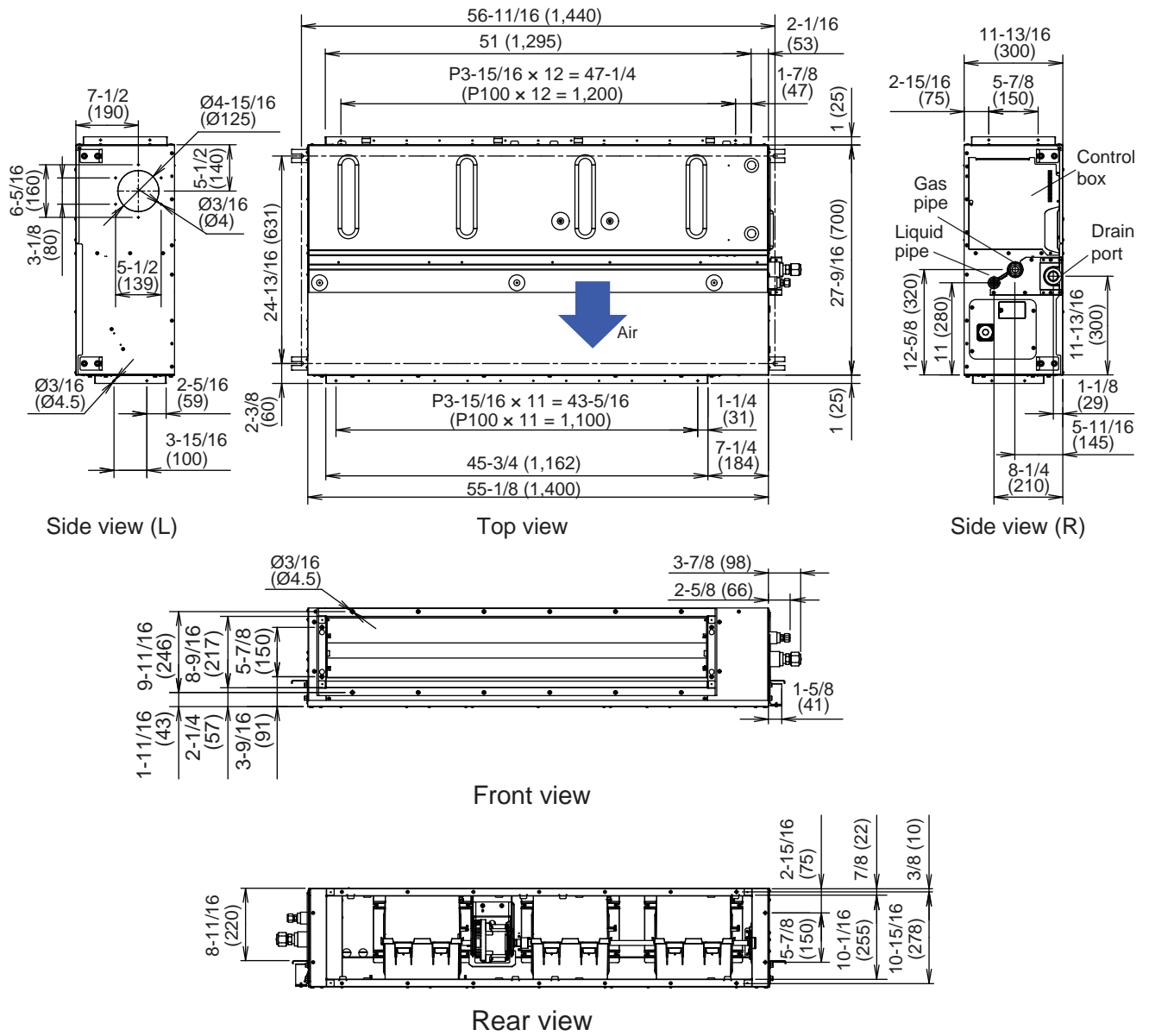


Front view

Rear view

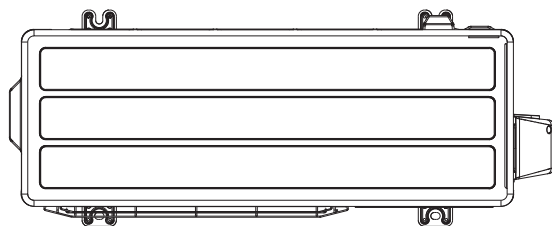
Models: ARU36RGLX, ARU42RGLX, and ARU48RGLX

Unit: in (mm)

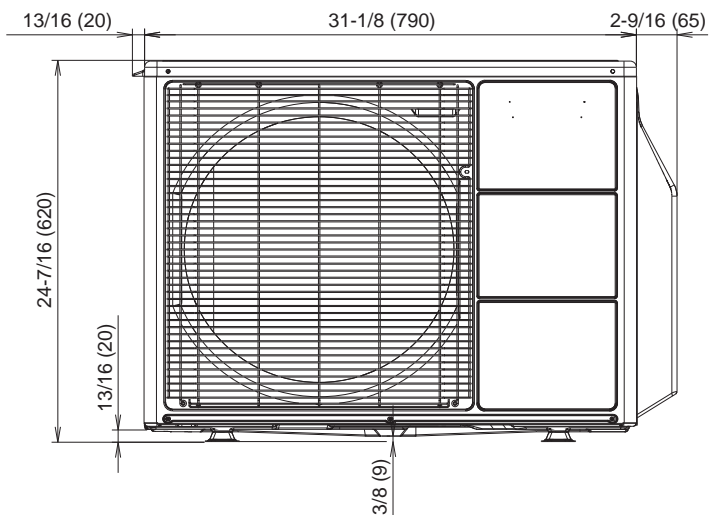


Model: AOU12RLFC

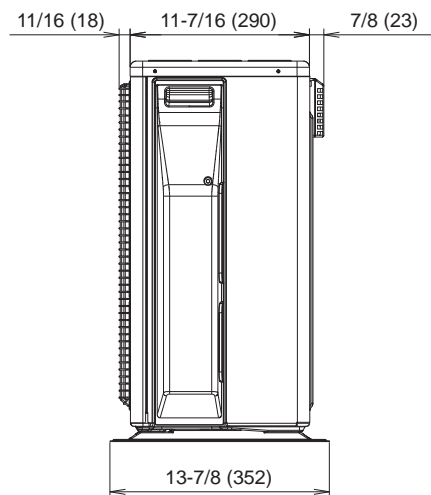
Unit: in (mm)



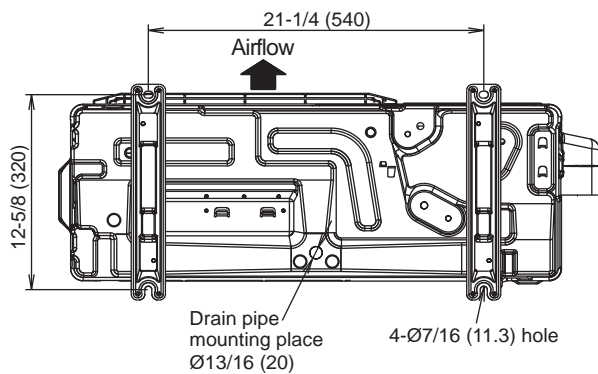
Top view



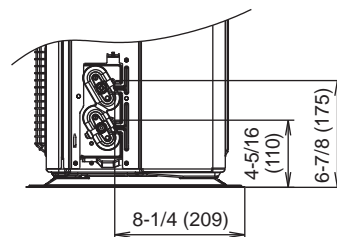
Front view



Side view

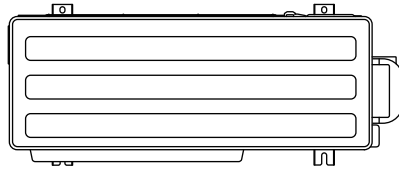


Bottom view

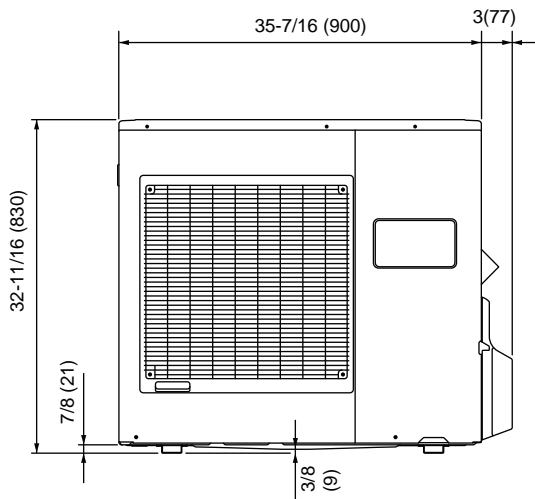


Models: AOU18RGLX, AOU24RGLX, AOU30RGLX, and AOU36RGLX

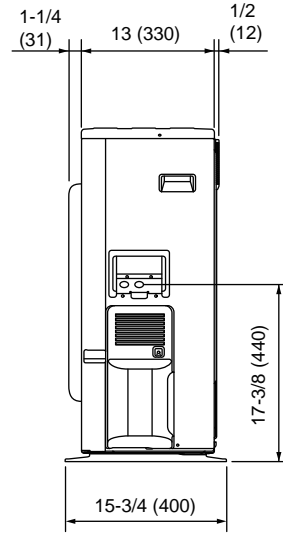
Unit: in (mm)



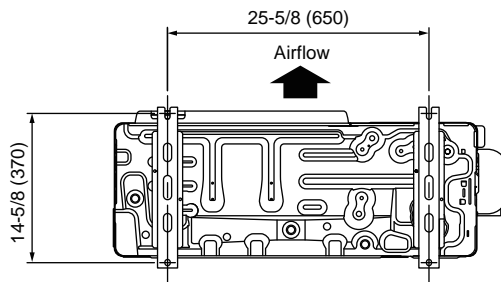
Top view



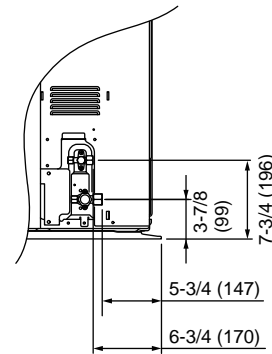
Front view



Side view

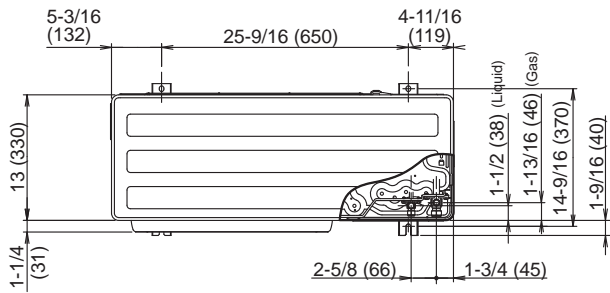


Bottom view

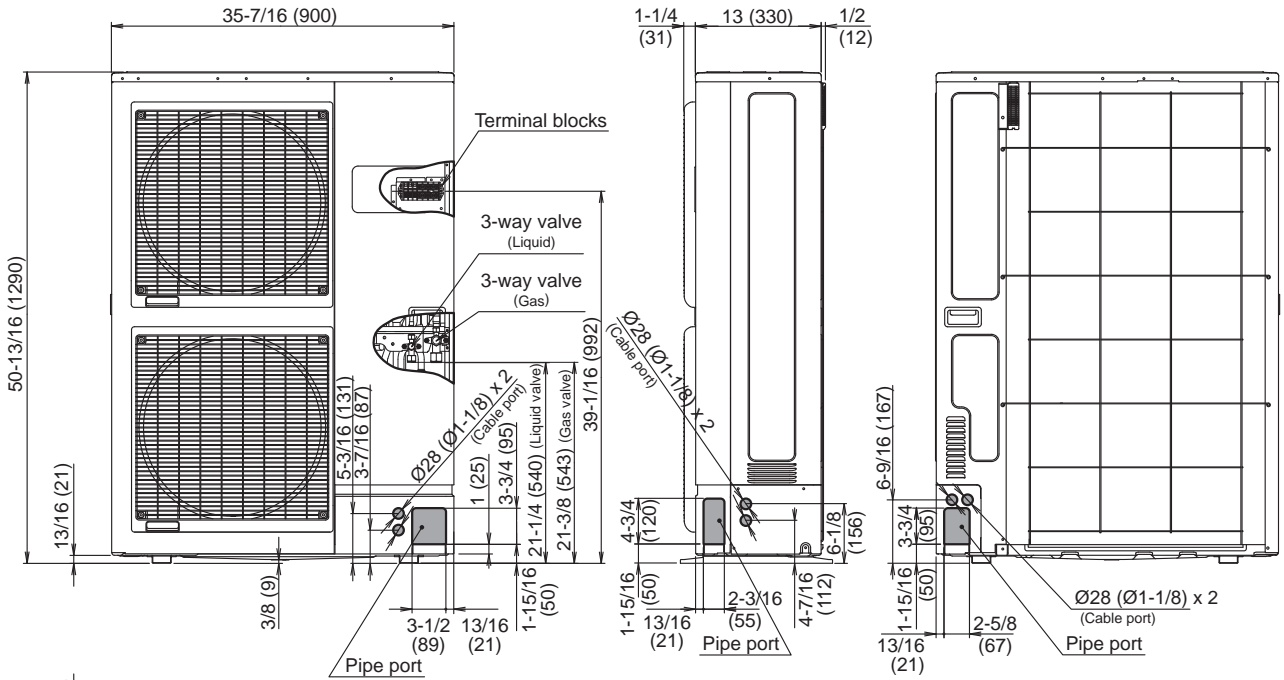


Models: AOU42RGLX and AOU48RGLX

Unit: in (mm)



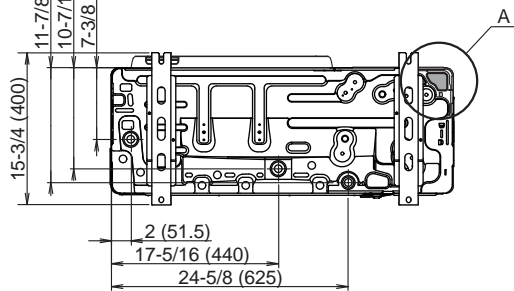
Top view



Front view

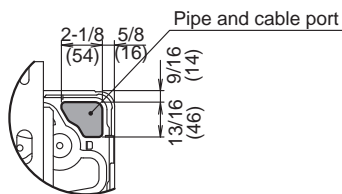
Side view

Rear view



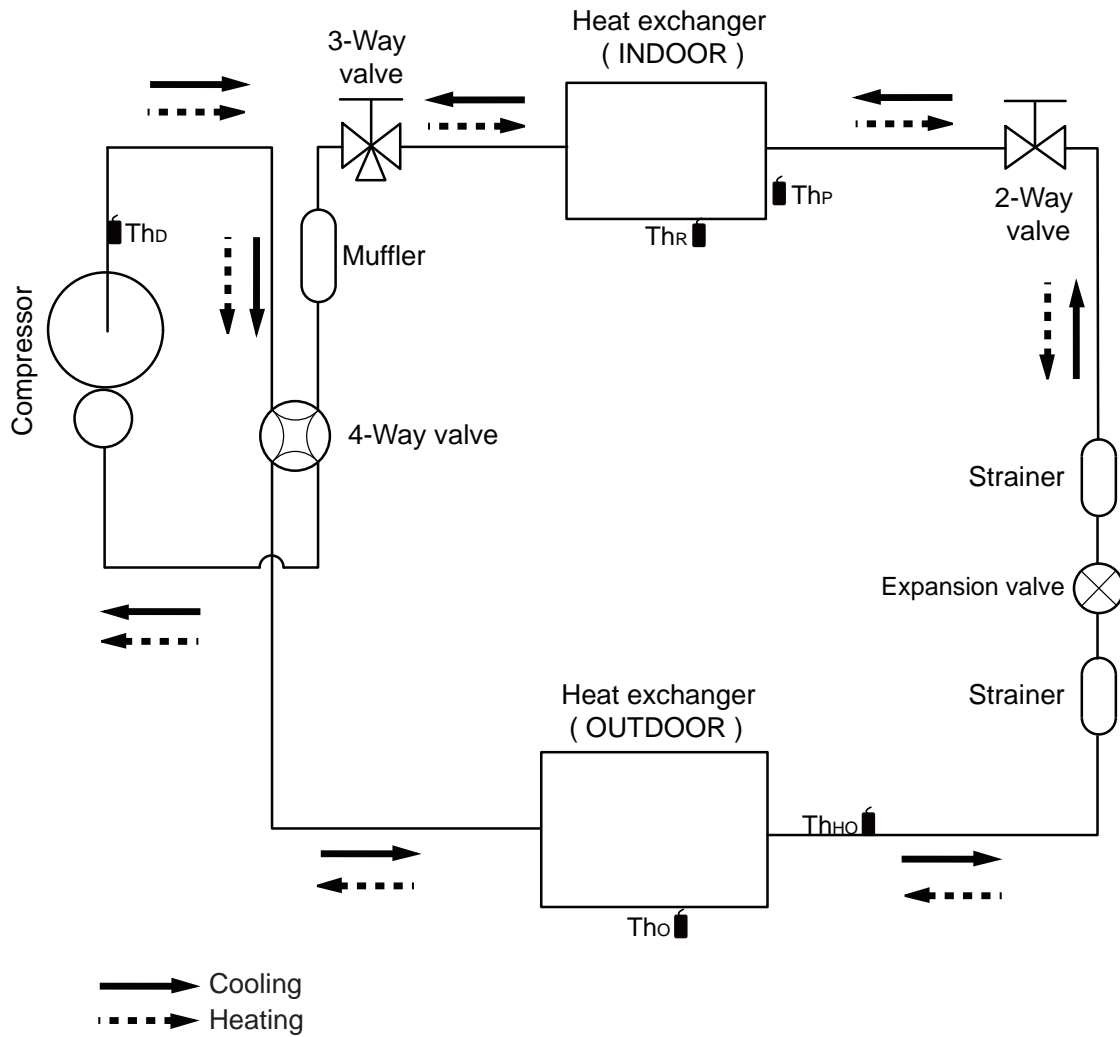
Bottom view

Detail A



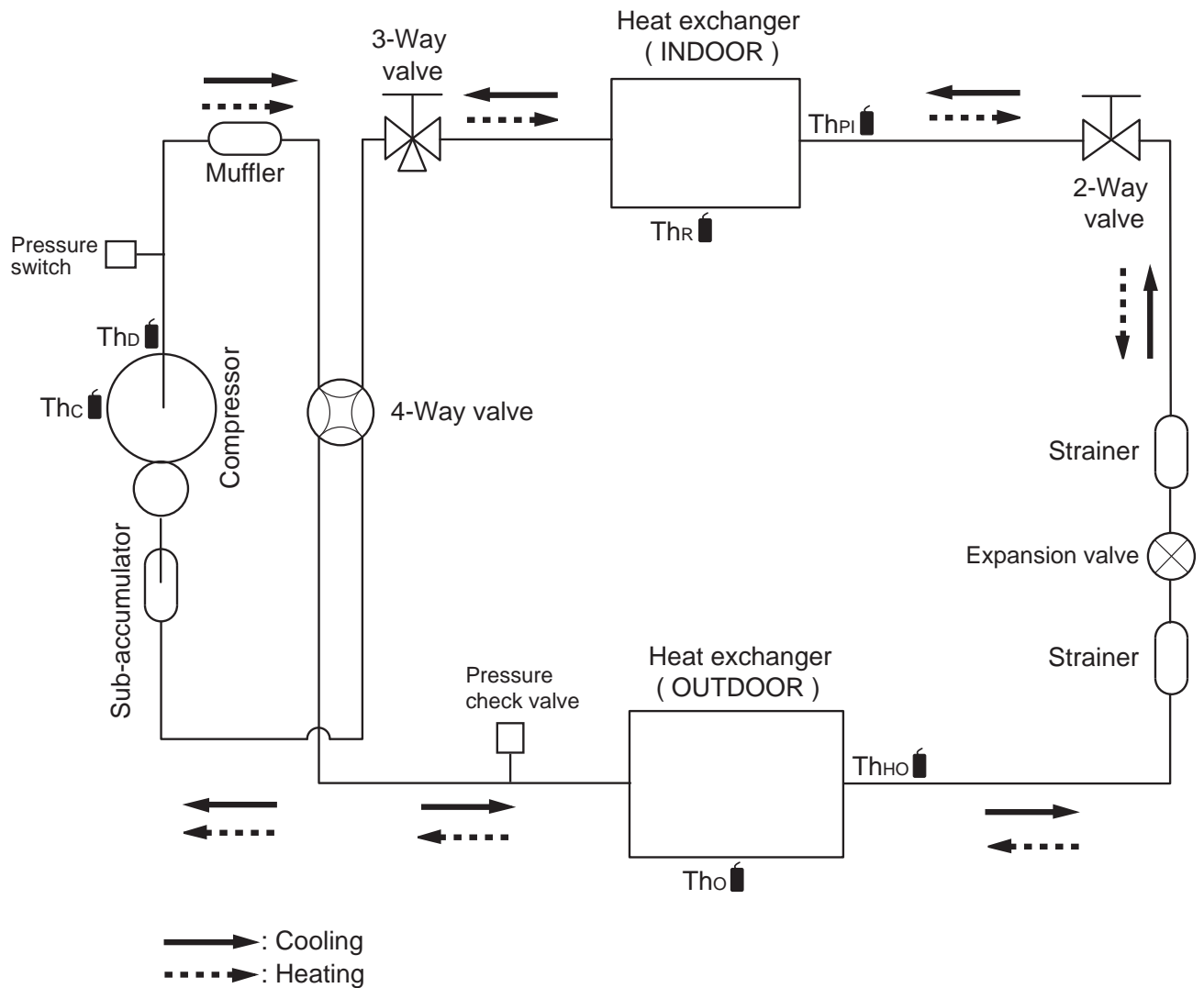
Refrigerant circuit

Model: AOU12RLFC



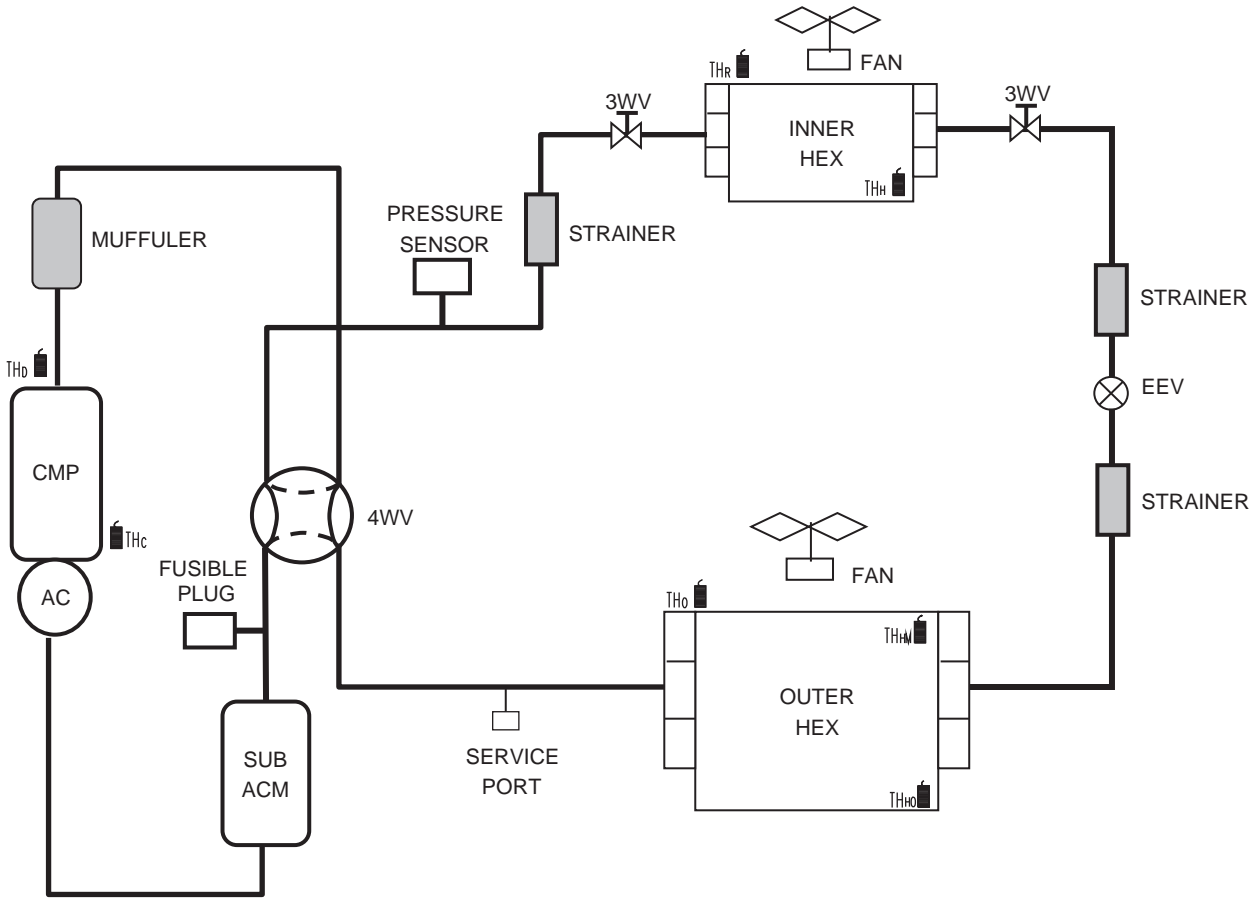
- Th_D : Thermistor (Discharge temperature)
- Th_O : Thermistor (Outdoor temperature)
- Th_{HO} : Thermistor (Heat exchanger Out temperature)
- Th_R : Thermistor (Room temperature)
- Th_P : Thermistor (Pipe temperature)

Models: AOU18RGLX, AOU24RGLX, AOU30RGLX, and AOU36RGLX



- Th_c : Thermistor (Compressor temperature)
- Th_d : Thermistor (Discharge temperature)
- Th_o : Thermistor (Outdoor temperature)
- Th_{Ho} : Thermistor (Heat exchanger Out temperature)
- Th_R : Thermistor (Room temperature)
- Th_{PI} : Thermistor (Pipe temperature)

Models: AOU42RGLX and AOU48RGLX



THc: Thermistor (Compressor temperature)

THo: Thermistor (Discharge temperature)

THm: Thermistor (Heat exchanger Med temperature)

THho: Thermistor (Heat exchanger Out temperature)

THo: Thermistor (Outdoor temperature)

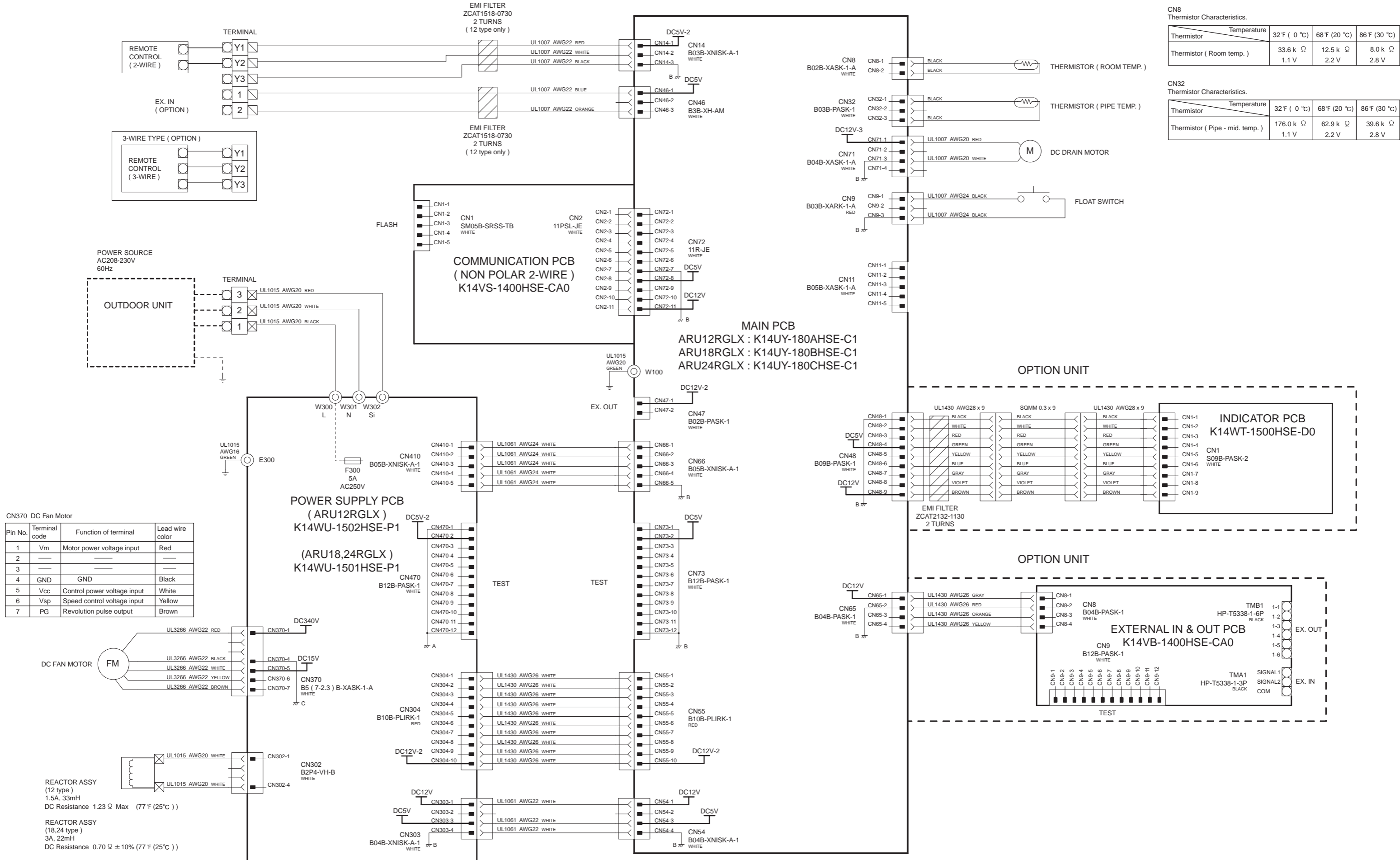
THr: Thermistor (Room temperature)

THh: Thermistor (Heat exchanger temperature)

PCB CIRCUIT DIAGRAM

Models : ARU12RGLX
 ARU18RGLX
 ARU24RGLX

CONTROL UNIT
 ARU12RGLX : EZ-01815HSE
 ARU18RGLX : EZ-01816HSE
 ARU24RGLX : EZ-01817HSE



CN8 Thermistor Characteristics.

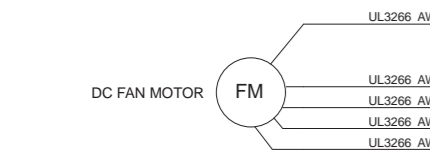
Thermistor	Temperature	32 F (0 °C)	68 F (20 °C)	86 F (30 °C)
Thermistor (Room temp.)		33.6 k Ω	12.5 k Ω	8.0 k Ω
		1.1 V	2.2 V	2.8 V

CN32 Thermistor Characteristics.

Thermistor	Temperature	32 F (0 °C)	68 F (20 °C)	86 F (30 °C)
Thermistor (Pipe - mid. temp.)		176.0 k Ω	62.9 k Ω	39.6 k Ω
		1.1 V	2.2 V	2.8 V

CN370 DC Fan Motor

Pin No.	Terminal code	Function of terminal	Lead wire color
1	Vm	Motor power voltage input	Red
2	—	—	—
3	—	—	—
4	GND	GND	Black
5	Vcc	Control power voltage input	White
6	Vsp	Speed control voltage input	Yellow
7	PG	Revolution pulse output	Brown

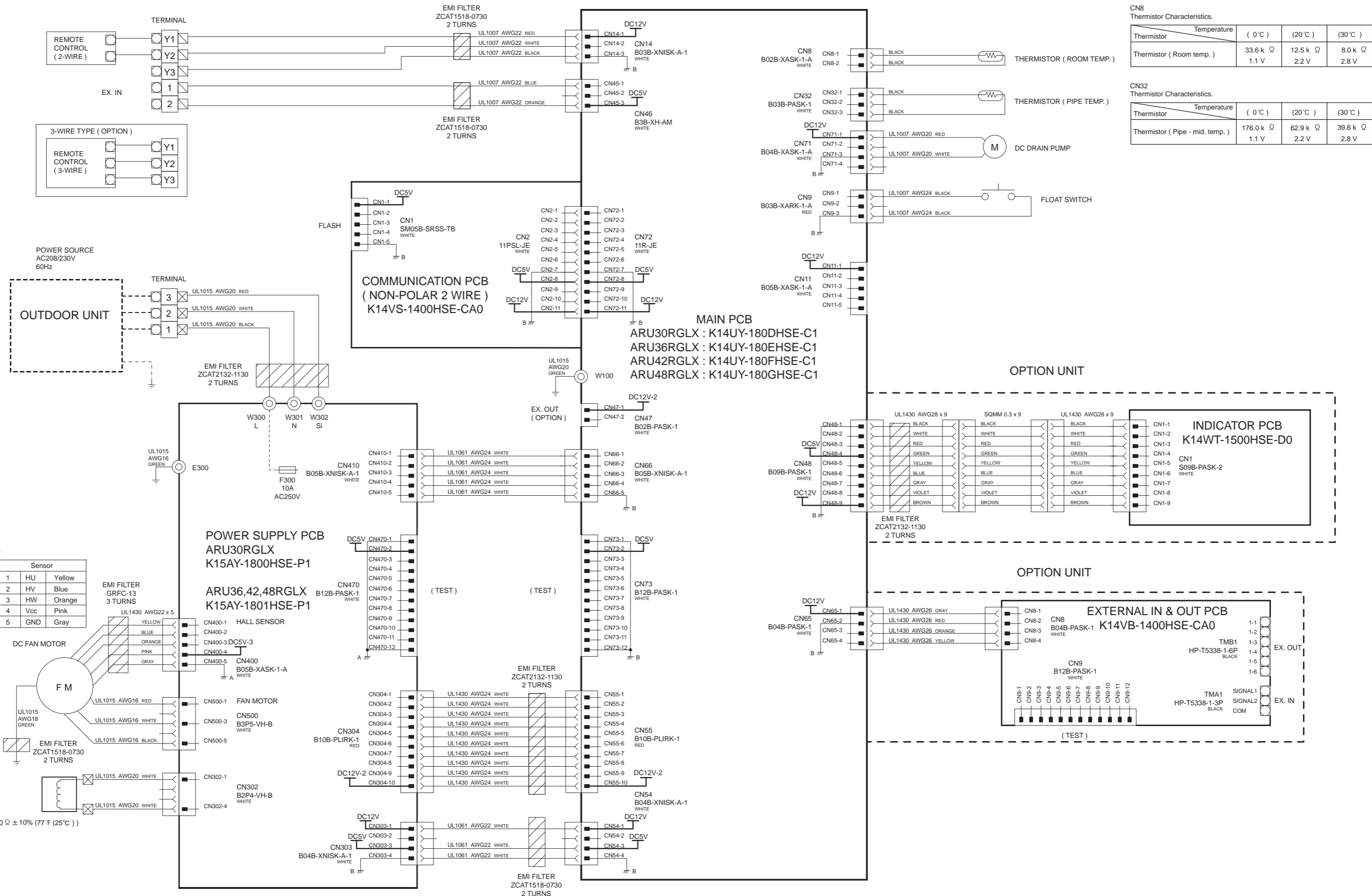


REACTOR ASSY (12 type)
 1.5A, 33mH
 DC Resistance 1.23 Ω Max (77 F (25°C))

REACTOR ASSY (18,24 type)
 3A, 22mH
 DC Resistance 0.70 Ω ± 10% (77 F (25°C))

Models : ARU30RGLX
 ARU36RGLX
 ARU42RGLX
 ARU48RGLX

CONTROL UNIT
 ARU30RGLX : EZ-01818HSE
 ARU36RGLX : EZ-01819HSE
 ARU42RGLX : EZ-0181AHSE
 ARU48RGLX : EZ-0181BHSE



CN8 Thermistor Characteristics.

Thermistor	Temperature (0°C)	(20°C)	(30°C)
Thermistor (Room temp.)	33.6 k Ω	12.5 k Ω	8.0 k Ω
	1.1 V	2.2 V	2.8 V

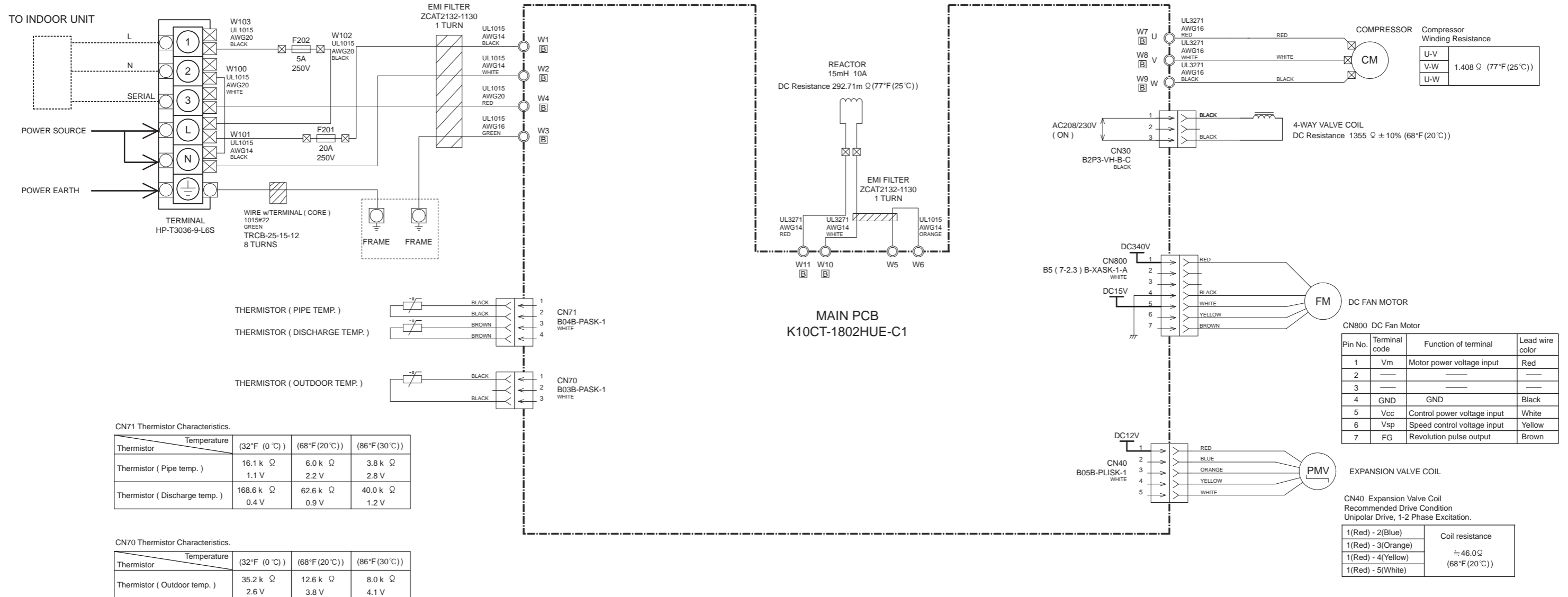
CN32 Thermistor Characteristics.

Thermistor	Temperature (0°C)	(20°C)	(30°C)
Thermistor (Pipe - mid. temp.)	176.0 k Ω	62.9 k Ω	39.6 k Ω
	1.1 V	2.2 V	2.8 V

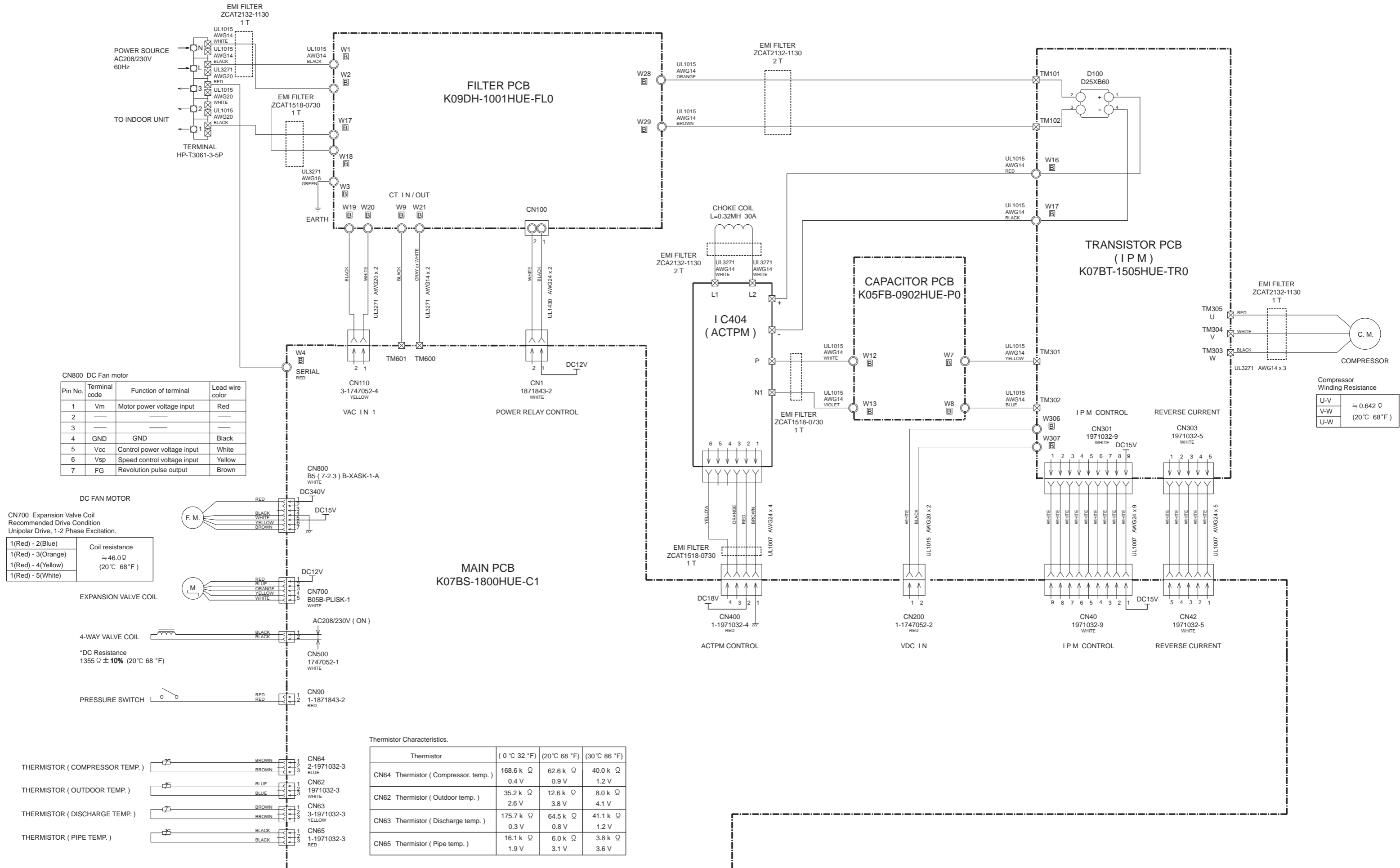
CN400, CN500 DC Fan motor

Power		Sensor	
1	U Red	1	HU Yellow
2	—	2	HV Blue
3	V White	3	HW Orange
4	—	4	Vcc Pink
5	W Black	5	GND Gray

INVERTER ASSEMBLY
EZ-01224HUE



INVERTER ASSEMBLY
EZ-0182HUE



CN800 DC Fan motor

Pin No.	Terminal code	Function of terminal	Lead wire color
1	Vm	Motor power voltage input	Red
2	---	---	---
3	---	---	---
4	GND	GND	Black
5	Vcc	Control power voltage input	White
6	Vsp	Speed control voltage input	Yellow
7	FG	Revolution pulse output	Brown

DC FAN MOTOR

CN700 Expansion Valve Coil
Recommended Drive Condition
Unipolar Drive, 1-2 Phase Excitation.

Terminal	Coil resistance
1(Red) - 2(Blue)	≈ 46.0 Ω (20°C 68°F)
1(Red) - 3(Orange)	
1(Red) - 4(Yellow)	
1(Red) - 5(White)	

Thermistor Characteristics.

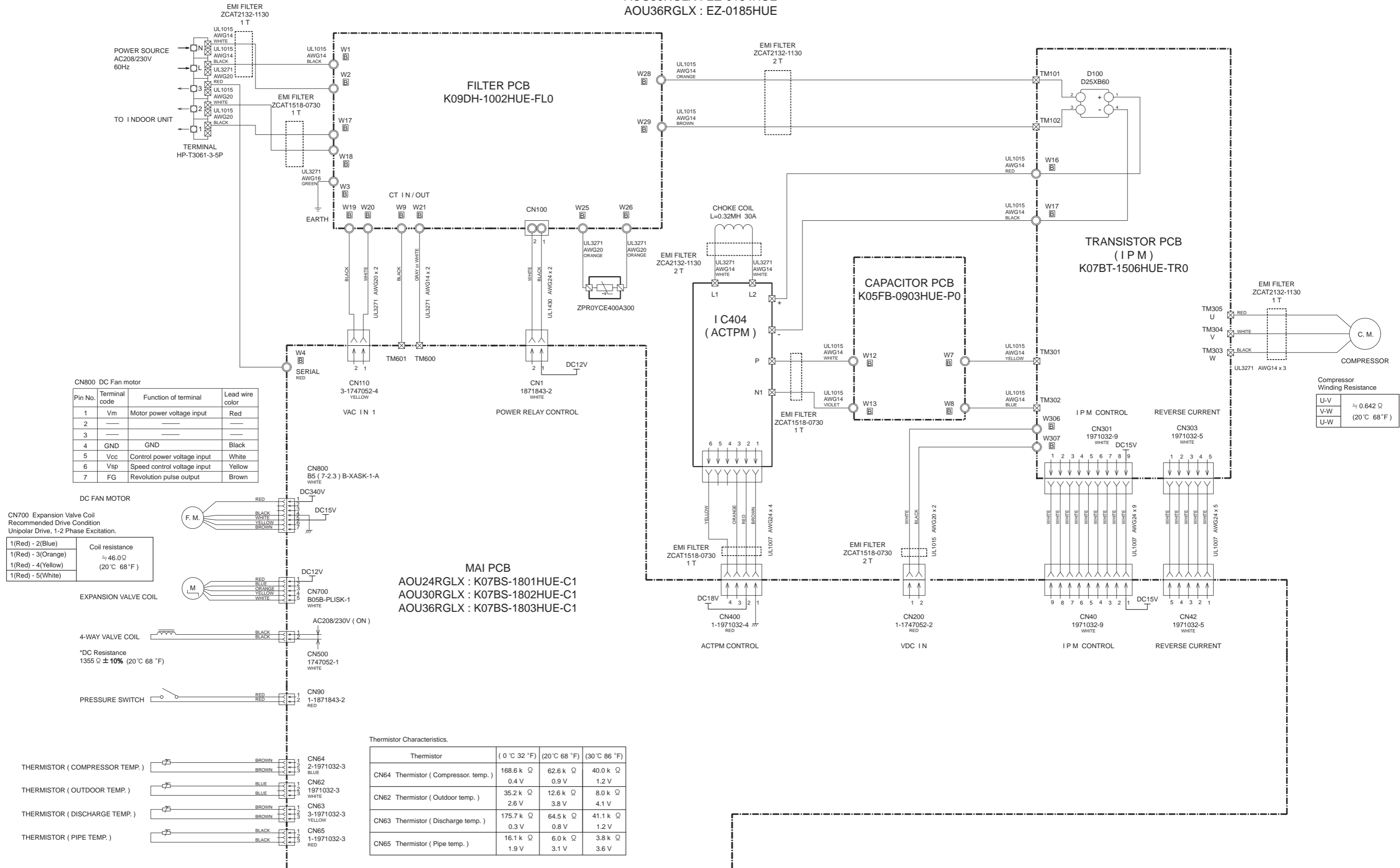
Thermistor	(0 °C 32 °F)	(20 °C 68 °F)	(30 °C 86 °F)
CN64 Thermistor (Compressor temp.)	168.6 k Ω 0.4 V	62.6 k Ω 0.9 V	40.0 k Ω 1.2 V
CN62 Thermistor (Outdoor temp.)	35.2 k Ω 2.6 V	12.6 k Ω 3.8 V	8.0 k Ω 4.1 V
CN63 Thermistor (Discharge temp.)	175.7 k Ω 0.3 V	64.5 k Ω 0.8 V	41.1 k Ω 1.2 V
CN65 Thermistor (Pipe temp.)	16.1 k Ω 1.9 V	6.0 k Ω 3.1 V	3.8 k Ω 3.6 V

Compressor Winding Resistance

U-V	≈ 0.642 Ω
V-W	
U-W	(20 °C 68 °F)

Models : AOU24RGLX
 AOU30RGLX
 AOU36RGLX

INVERTER ASSEMBLY
 AOU24RGLX : EZ-0183HUE
 AOU30RGLX : EZ-0184HUE
 AOU36RGLX : EZ-0185HUE



CN800 DC Fan motor

Pin No.	Terminal code	Function of terminal	Lead wire color
1	Vm	Motor power voltage input	Red
2			
3			
4	GND	GND	Black
5	Vcc	Control power voltage input	White
6	Vsp	Speed control voltage input	Yellow
7	FG	Revolution pulse output	Brown

DC FAN MOTOR

CN700 Expansion Valve Coil
 Recommended Drive Condition
 Unipolar Drive, 1-2 Phase Excitation.

Lead	Coil resistance
1(Red) - 2(Blue)	≈ 46.0 Ω (20°C 68°F)
1(Red) - 3(Orange)	
1(Red) - 4(Yellow)	
1(Red) - 5(White)	

MAI PCB

AOU24RGLX : K07BS-1801HUE-C1
 AOU30RGLX : K07BS-1802HUE-C1
 AOU36RGLX : K07BS-1803HUE-C1

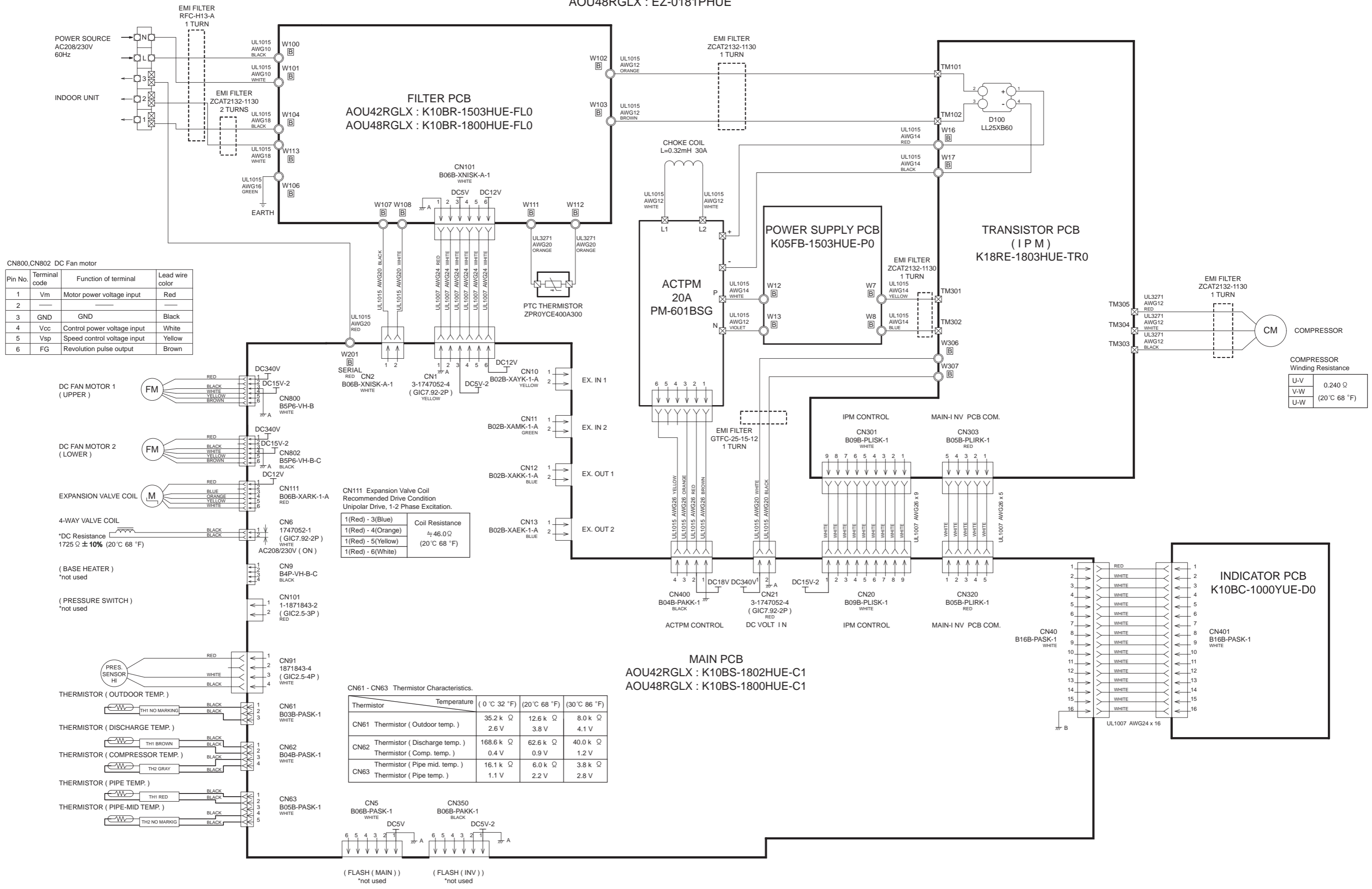
Thermistor Characteristics.

Thermistor	(0 °C 32 °F)	(20 °C 68 °F)	(30 °C 86 °F)
CN64 Thermistor (Compressor. temp.)	168.6 k Ω 0.4 V	62.6 k Ω 0.9 V	40.0 k Ω 1.2 V
CN62 Thermistor (Outdoor temp.)	35.2 k Ω 2.6 V	12.6 k Ω 3.8 V	8.0 k Ω 4.1 V
CN63 Thermistor (Discharge temp.)	175.7 k Ω 0.3 V	64.5 k Ω 0.8 V	41.1 k Ω 1.2 V
CN65 Thermistor (Pipe temp.)	16.1 k Ω 1.9 V	6.0 k Ω 3.1 V	3.8 k Ω 3.6 V

Compressor Winding Resistance

U-V	≈ 0.642 Ω
V-W	
U-W	(20 °C 68 °F)

INVERTER ASSEMBLY
AOU42RGLX : EZ-0181RHUE
AOU48RGLX : EZ-0181PHUE



CN800, CN802 DC Fan motor

Pin No.	Terminal code	Function of terminal	Lead wire color
1	Vm	Motor power voltage input	Red
2			
3	GND	GND	Black
4	Vcc	Control power voltage input	White
5	Vsp	Speed control voltage input	Yellow
6	FG	Revolution pulse output	Brown

CN111 Expansion Valve Coil Recommended Drive Condition Unipolar Drive, 1-2 Phase Excitation.

Coil Resistance	(20°C 68 °F)
1(Red) - 3(Blue)	≈ 46.0 Ω
1(Red) - 4(Orange)	
1(Red) - 5(Yellow)	(20°C 68 °F)
1(Red) - 6(White)	

CN61 - CN63 Thermistor Characteristics.

Thermistor	Temperature		
	(0°C 32 °F)	(20°C 68 °F)	(30°C 86 °F)
CN61 Thermistor (Outdoor temp.)	35.2 k Ω	12.6 k Ω	8.0 k Ω
	2.6 V	3.8 V	4.1 V
CN62 Thermistor (Discharge temp.)	168.6 k Ω	62.6 k Ω	40.0 k Ω
CN62 Thermistor (Comp. temp.)	0.4 V	0.9 V	1.2 V
CN63 Thermistor (Pipe mid. temp.)	16.1 k Ω	6.0 k Ω	3.8 k Ω
CN63 Thermistor (Pipe temp.)	1.1 V	2.2 V	2.8 V

COMPRESSOR Winding Resistance

U-V	0.240 Ω
V-W	
U-W	(20°C 68 °F)

ERROR CODES

If you use a wired type remote controller, error codes will appear on the remote controller display. If you use a wireless remote controller, the lamps on the IR receiver unit will output error codes by way of blinking patterns. See the lamp blinking patterns and error codes in the table below. An error display is displayed only during operation. For more details, refer to the installation manual of the remote controller.

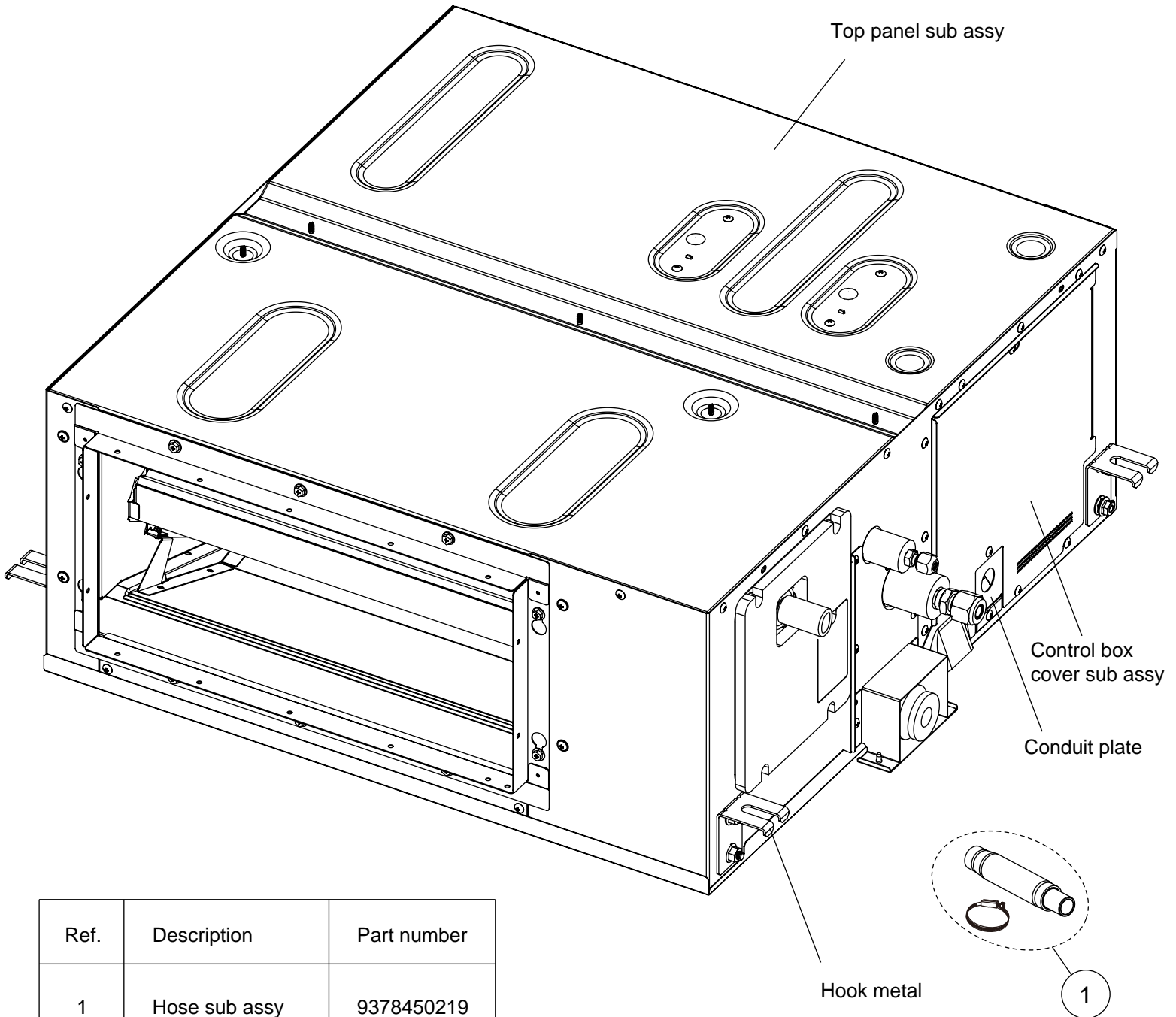
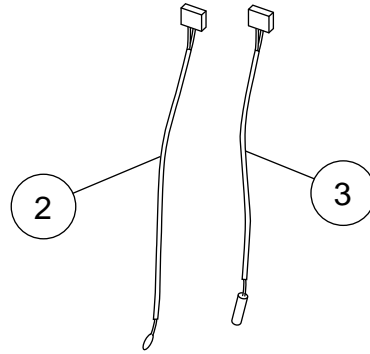
Error display			Wired remote controller Error code	Description
OPERATION lamp (green)	TIMER lamp (orange)	ECONOMY lamp (green)		
●(1)	●(1)	◇	11	Serial communication error
●(1)	●(2)	◇	12	Wired remote controller communication error
●(1)	●(5)	◇	15	Check run unfinished Automatic airflow adjustment error
●(1)	●(6)	◇	16	Peripheral unit transmission PCB connection error
●(1)	●(8)	◇	18	External communication error
●(2)	●(1)	◇	21	Unit number or Refrigerant circuit address setting error [Simultaneous Multi]
●(2)	●(2)	◇	22	Indoor unit capacity error
●(2)	●(3)	◇	23	Combination error
●(2)	●(4)	◇	24	• Connection unit number error (indoor secondary unit) [Simultaneous Multi] • Connection unit number error (indoor unit or branch unit) [Flexible Multi]
●(2)	●(6)	◇	26	Indoor unit address setting error
●(2)	●(7)	◇	27	Primary unit, secondary unit setup error [Simultaneous Multi]
●(2)	●(9)	◇	29	Connection unit number error in wired remote controller system
●(3)	●(1)	◇	31	Power supply interruption error
●(3)	●(2)	◇	32	Indoor unit PCB model information error
●(3)	●(3)	◇	33	Indoor unit motor electricity consumption detection error
●(3)	●(5)	◇	35	Manual auto switch error
●(3)	●(9)	◇	39	Indoor unit power supply error for fan motor
●(3)	●(10)	◇	3A	Indoor unit communication circuit (wired remote controller) error
●(4)	●(1)	◇	41	Room temp. sensor error
●(4)	●(2)	◇	42	Indoor unit heat ex. middle temp. sensor error
●(4)	●(4)	◇	44	Human sensor error
●(5)	●(1)	◇	51	Indoor unit fan motor error
●(5)	●(3)	◇	53	Drain pump error
●(5)	●(4)	◇	54	Electric air cleaner reverse VDD error
●(5)	●(5)	◇	55	Filter set error
●(5)	●(7)	◇	57	Damper error
●(5)	●(8)	◇	58	Intake grille error
●(5)	●(9)	◇	59	Indoor unit fan motor 2 error (Left side fan)
●(5)	●(10)	◇	5A	Indoor unit fan motor 3 error (Right side fan)
●(5)	●(15)	◇	5U	Indoor unit error

Error display			Wired remote controller Error code	Description
OPERATION lamp (green)	TIMER lamp (orange)	ECONOMY lamp (green)		
●(6)	●(1)	◇	61	Outdoor unit reverse/missing phase and wiring error
●(6)	●(2)	◇	62	Outdoor unit main PCB model information error or communication error
●(6)	●(3)	◇	63	Inverter error
●(6)	●(4)	◇	64	Active filter error, PFC circuit error
●(6)	●(5)	◇	65	Trip terminal L error
●(6)	●(8)	◇	68	Outdoor unit rush current limiting resistor temp. rise error
●(6)	●(10)	◇	6A	Display PCB microcomputers communication error
●(7)	●(1)	◇	71	Discharge temp. sensor error
●(7)	●(2)	◇	72	Compressor temp. sensor error
●(7)	●(3)	◇	73	Outdoor unit Heat Ex. liquid temp. sensor error
●(7)	●(4)	◇	74	Outdoor temp. sensor error
●(7)	●(5)	◇	75	Suction Gas temp. sensor error
●(7)	●(6)	◇	76	• 2-way valve temp. sensor error • 3-way valve temp. sensor error
●(7)	●(7)	◇	77	Heat sink temp. sensor error
●(8)	●(2)	◇	82	• Sub-cool Heat Ex. gas inlet temp. sensor error • Sub-cool Heat Ex. gas outlet temp. sensor error
●(8)	●(3)	◇	83	Liquid pipe temp. sensor error
●(8)	●(4)	◇	84	Current sensor error
●(8)	●(6)	◇	86	• Discharge pressure sensor error • Suction pressure sensor error • High pressure switch error
●(9)	●(4)	◇	94	Trip detection
●(9)	●(5)	◇	95	Compressor rotor position detection error (permanent stop)
●(9)	●(7)	◇	97	Outdoor unit fan motor 1 error
●(9)	●(8)	◇	98	Outdoor unit fan motor 2 error
●(9)	●(9)	◇	99	4-way valve error
●(9)	●(10)	◇	9A	Coil (expansion valve) error
●(10)	●(1)	◇	A1	Discharge temp. error
●(10)	●(3)	◇	A3	Compressor temp. error
●(10)	●(4)	◇	A4	High pressure error
●(10)	●(5)	◇	A5	Low pressure error
●(13)	●(2)	◇	J2	Branch boxes error [Flexible Multi]

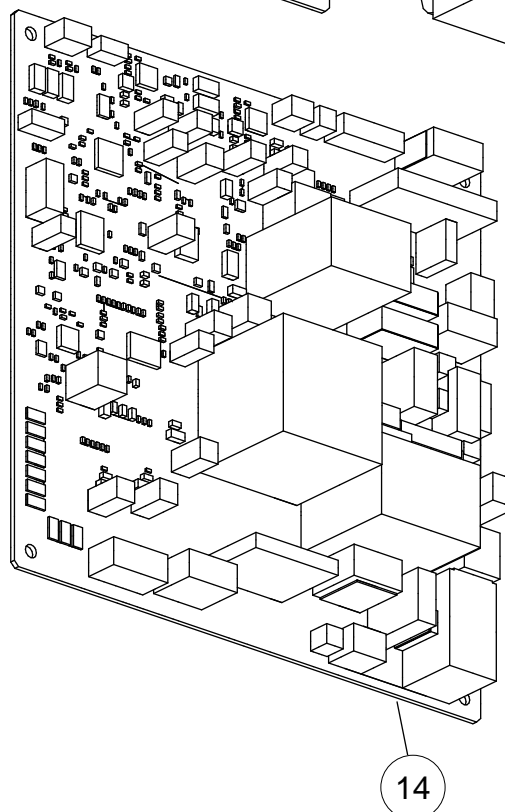
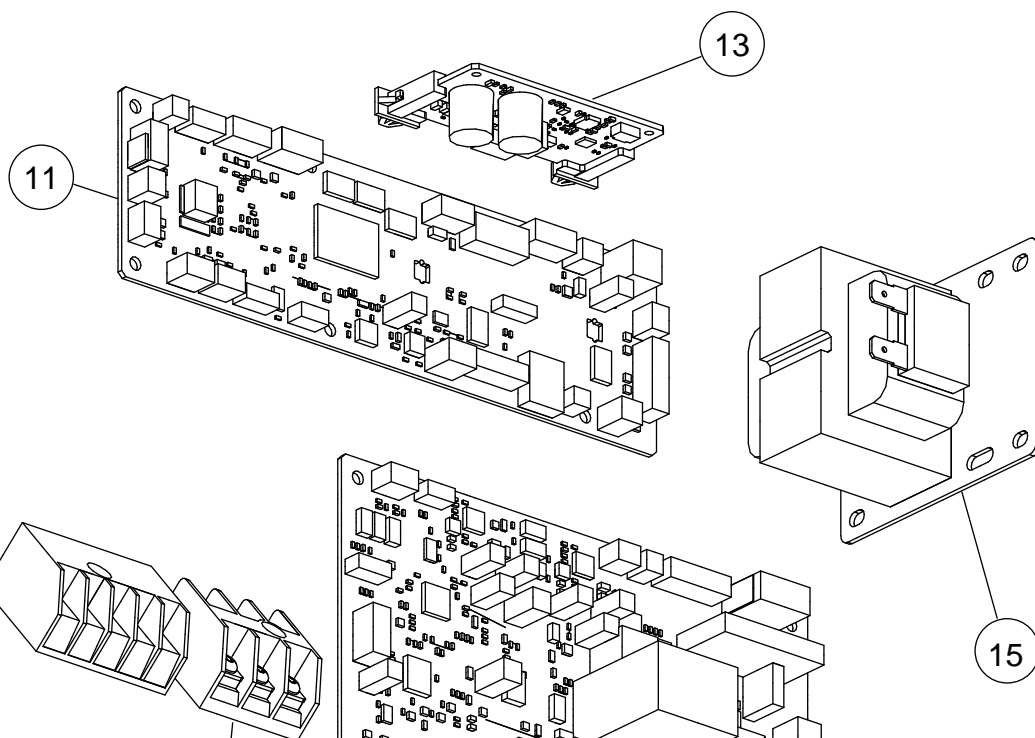
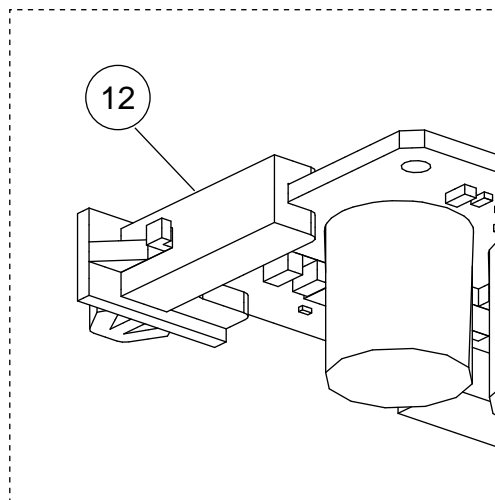
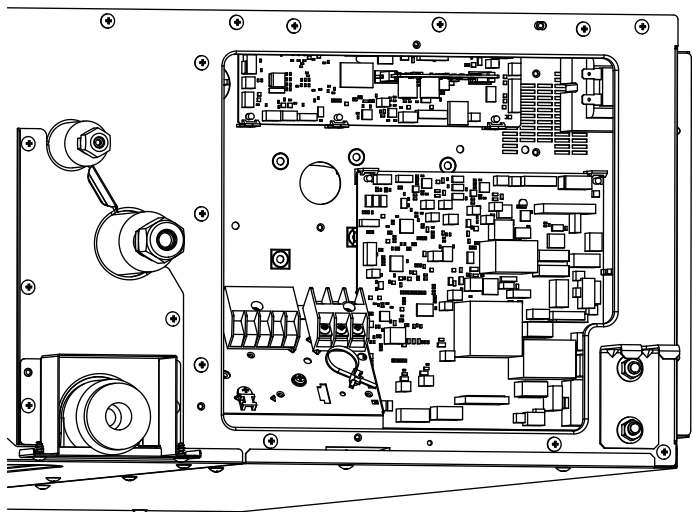
Display mode ● : 0.5s ON / 0.5s OFF
◇ : 0.1s ON / 0.1s OFF
() : Number of flashing

PARTS

INDOOR UNIT
ARU12RGLX

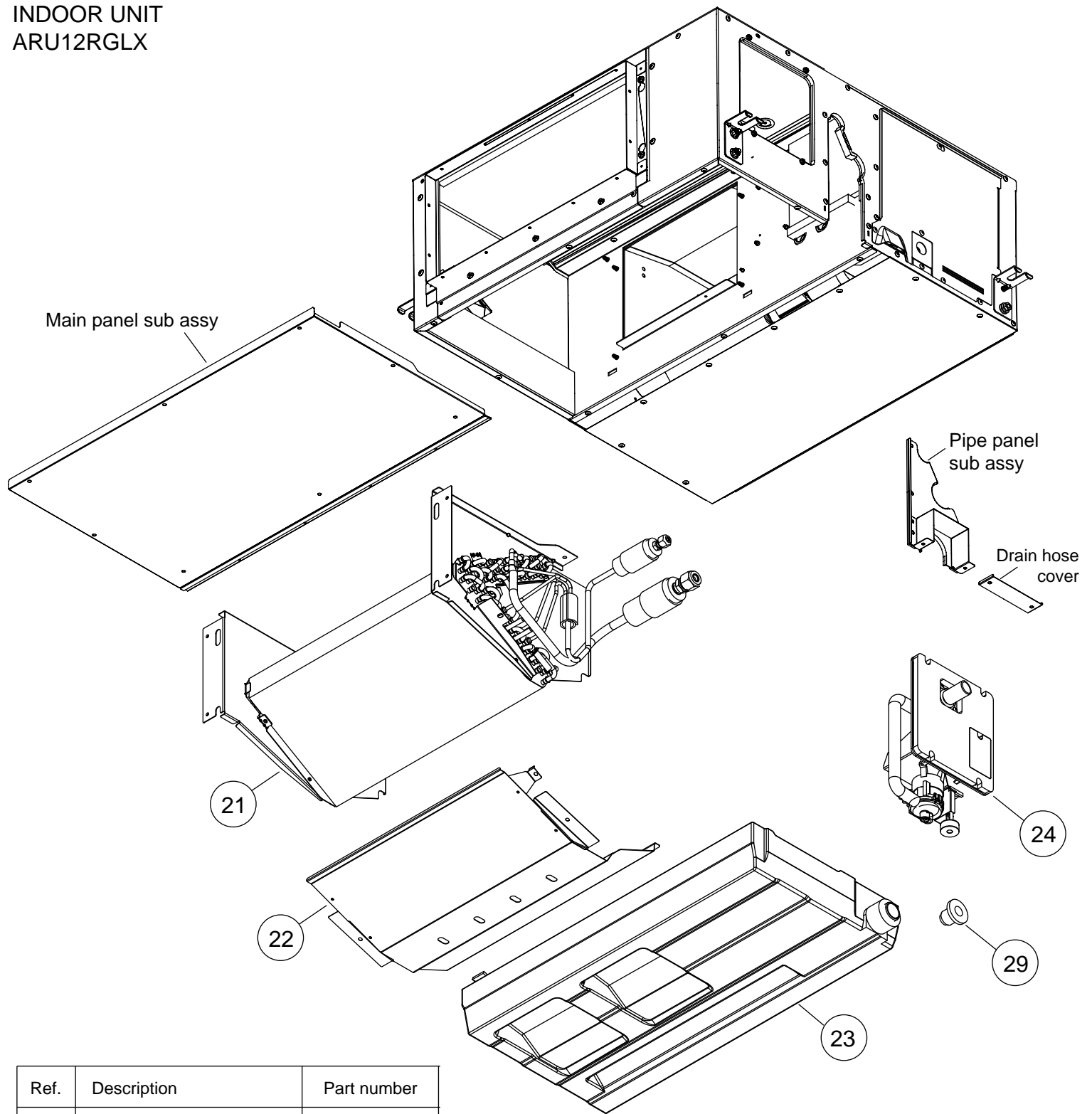


Ref.	Description	Part number
1	Hose sub assy	9378450219
2	Room thermistor	9703299278
3	Pipe thermistor	9900892005

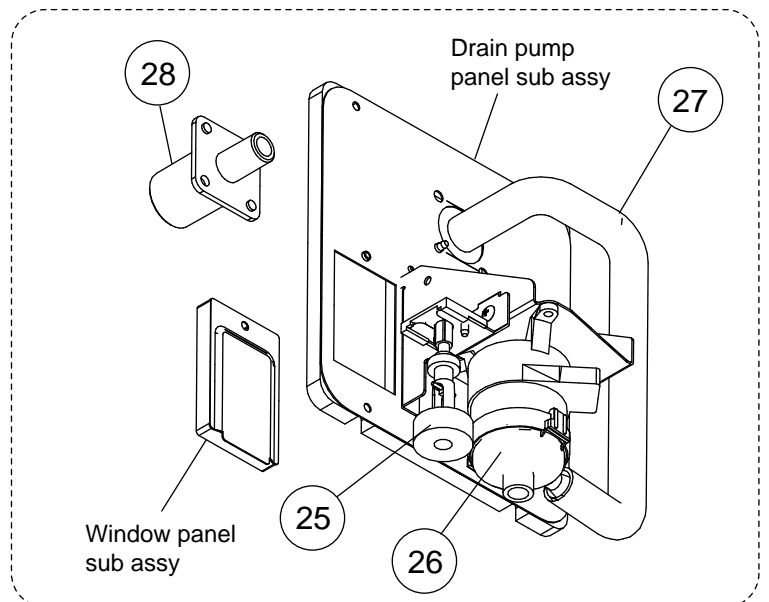


Ref.	Description	Part number
11	Main PCB	9710995637
12	Holder	0600063023
13	Communication PCB	9710019005
14	Power supply PCB	9710032028
15	Reactor assy	9900921019
16	Terminal (Remote)	9900896003
17	Terminal (Power)	9900568009

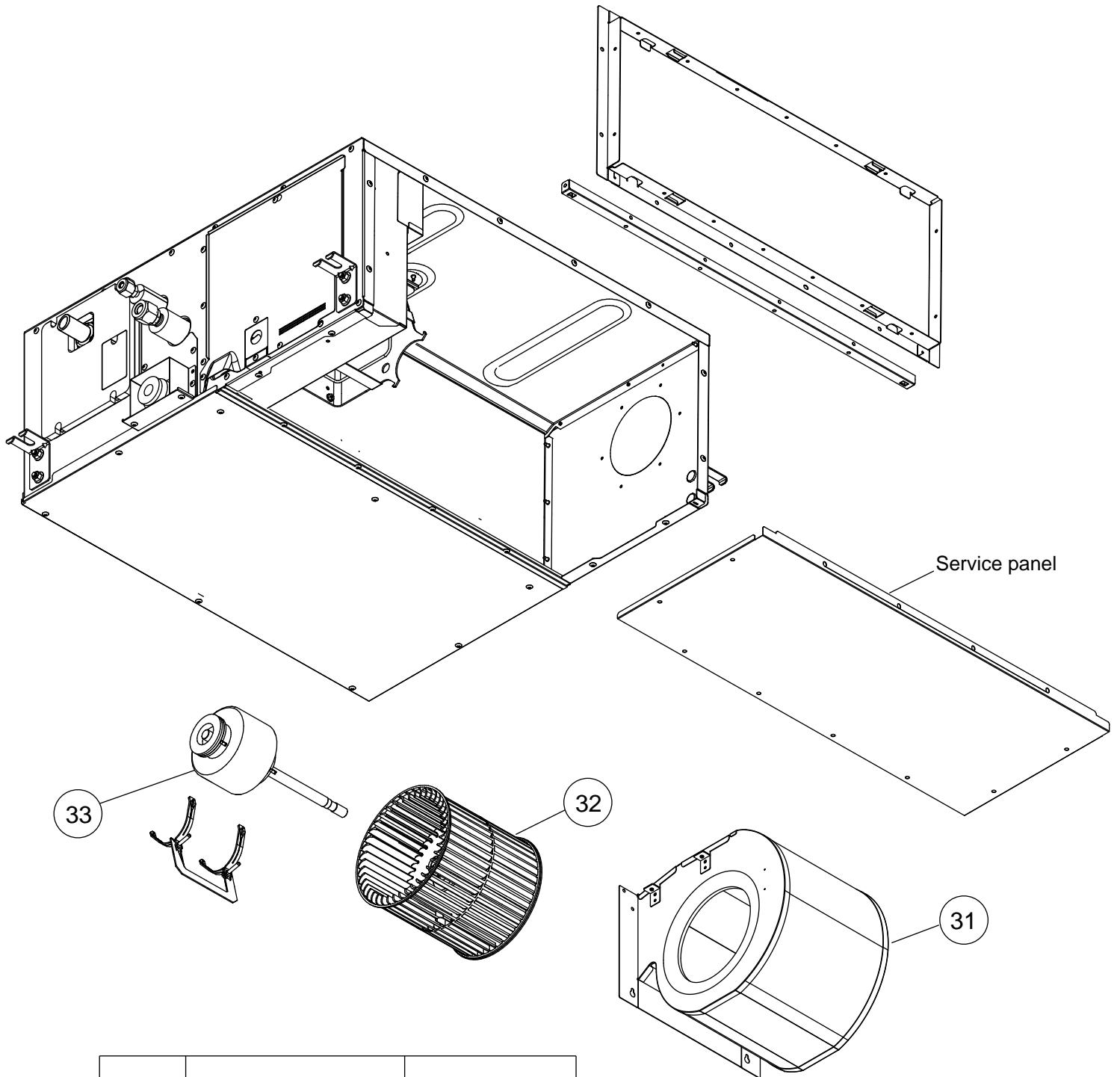
INDOOR UNIT
ARU12RGLX



Ref.	Description	Part number
21	Evaporator total assy	9374517985
22	Drain pan cover 1 fan sub assy	9383937002
23	Drain pan sub assy	9381752034
24	Drain pump sub assy	9381766017
25	Float switch	9900465070
26	Pump assy	9900890018
27	Drain hose	9381576005
28	Drain port	9381565009
29	Drain cap	9381578009

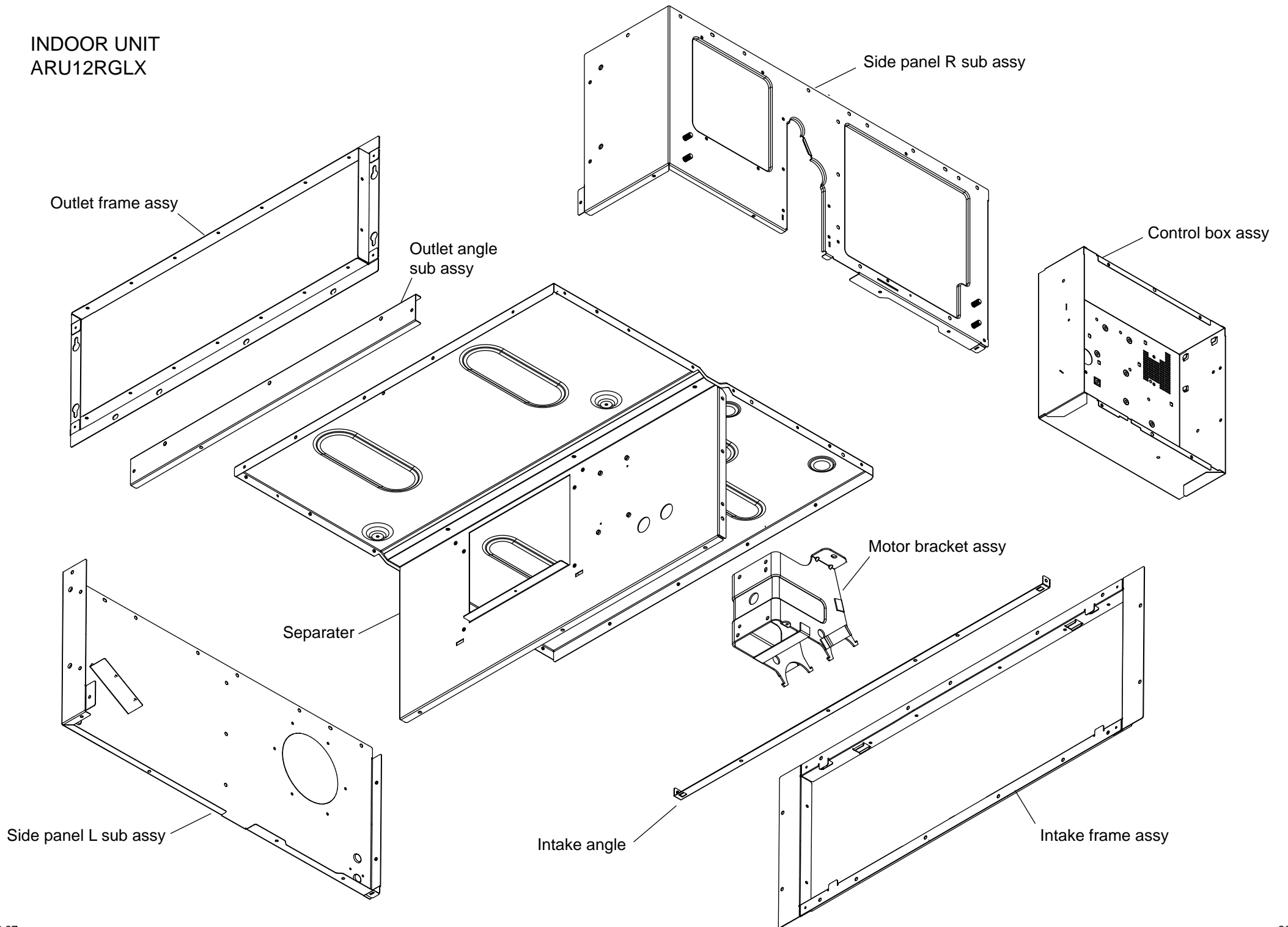


INDOOR UNIT
ARU12RGLX



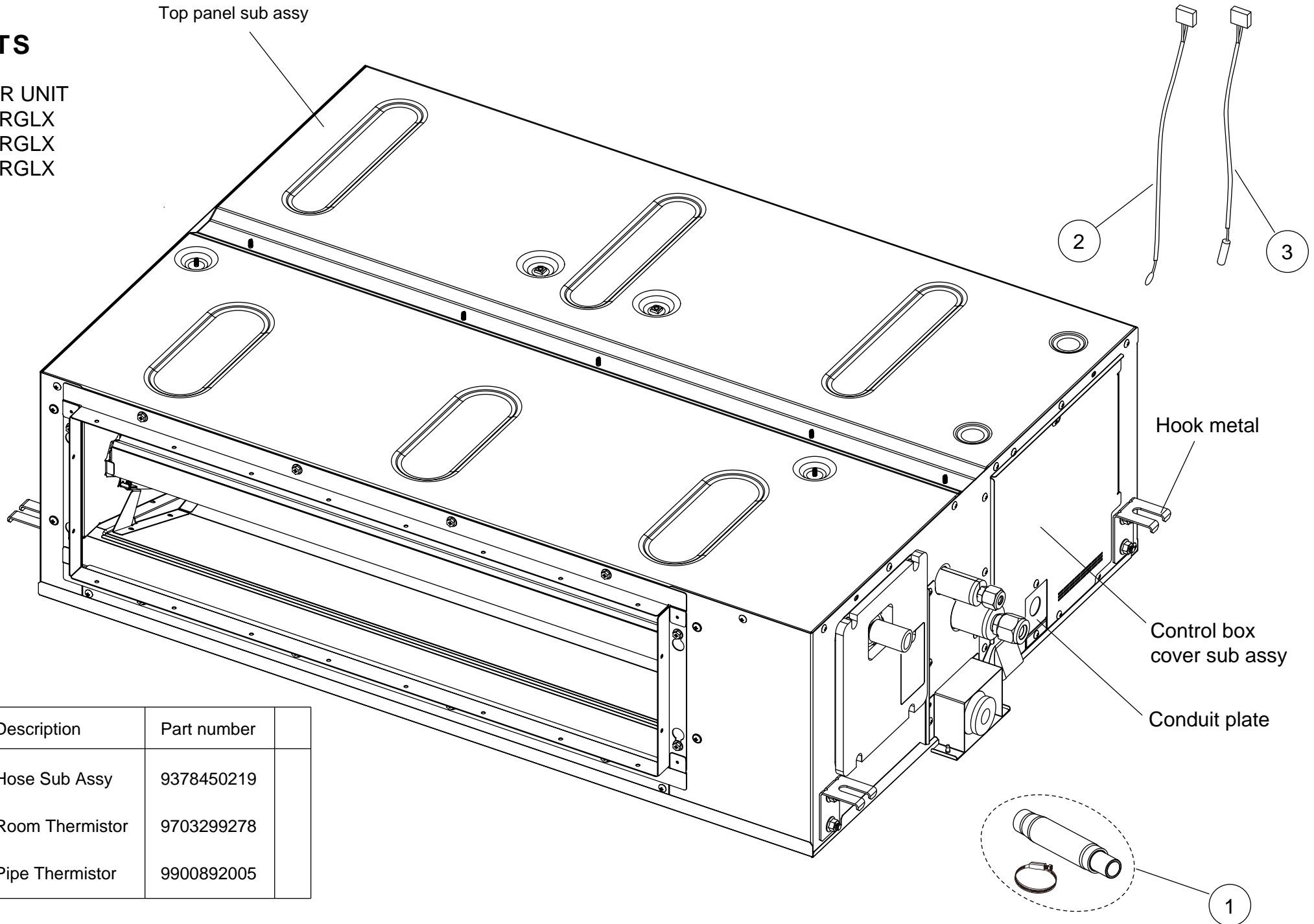
Ref.	Description	Part number
31	Casing sub assy	9381829033
32	Sirocco fan assy	9383695001
33	Fan motor	9603694005

INDOOR UNIT
ARU12RGLX



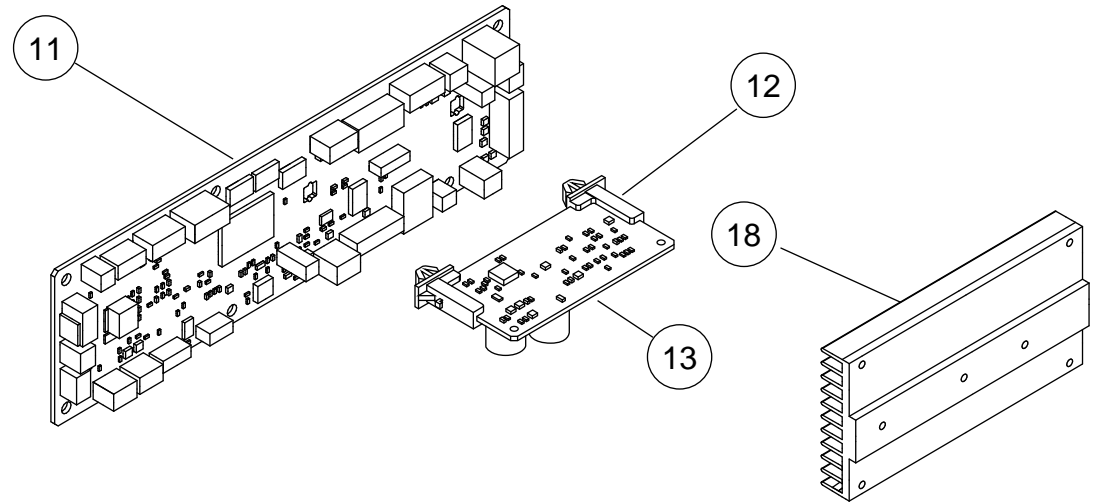
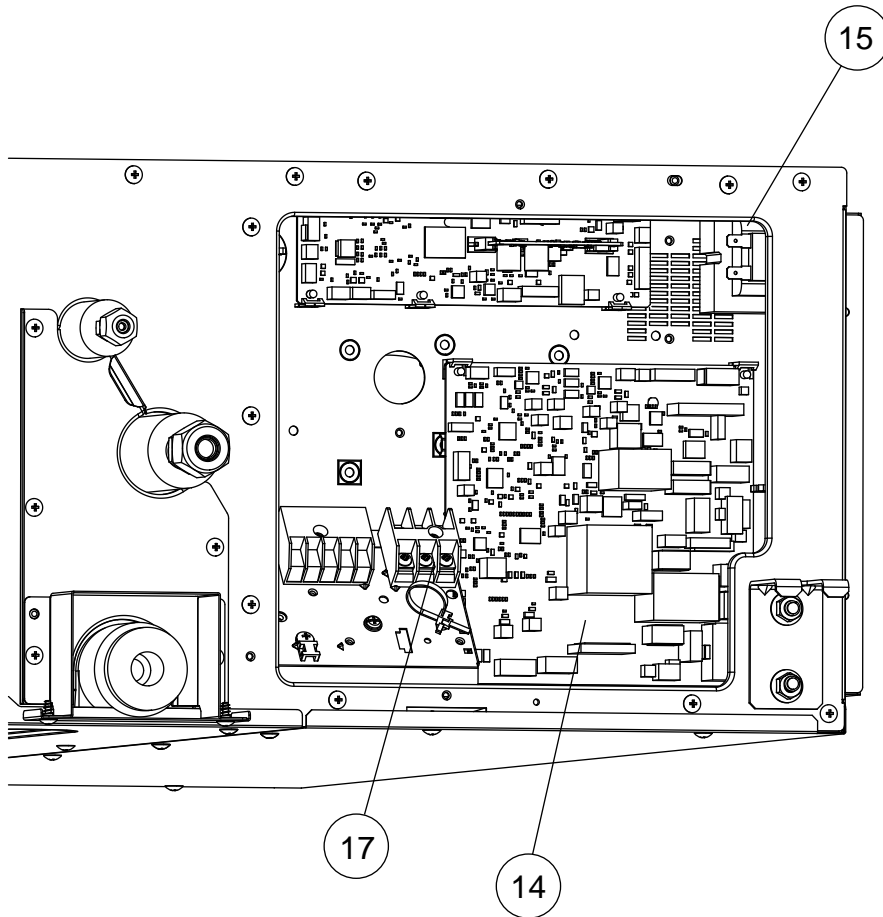
PARTS

INDOOR UNIT
 ARU18RGLX
 ARU24RGLX
 ARU30RGLX



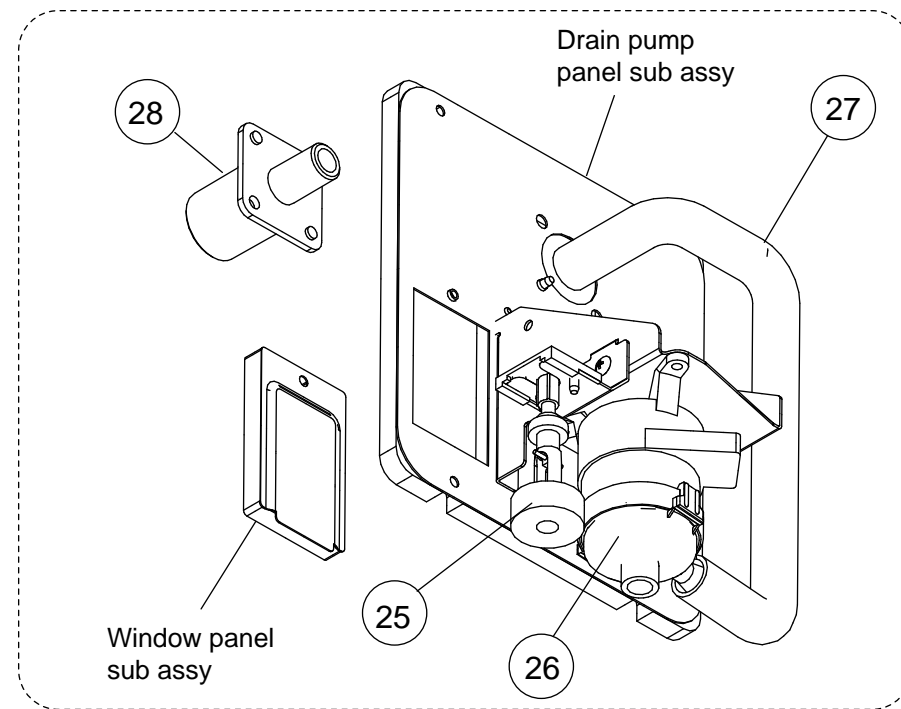
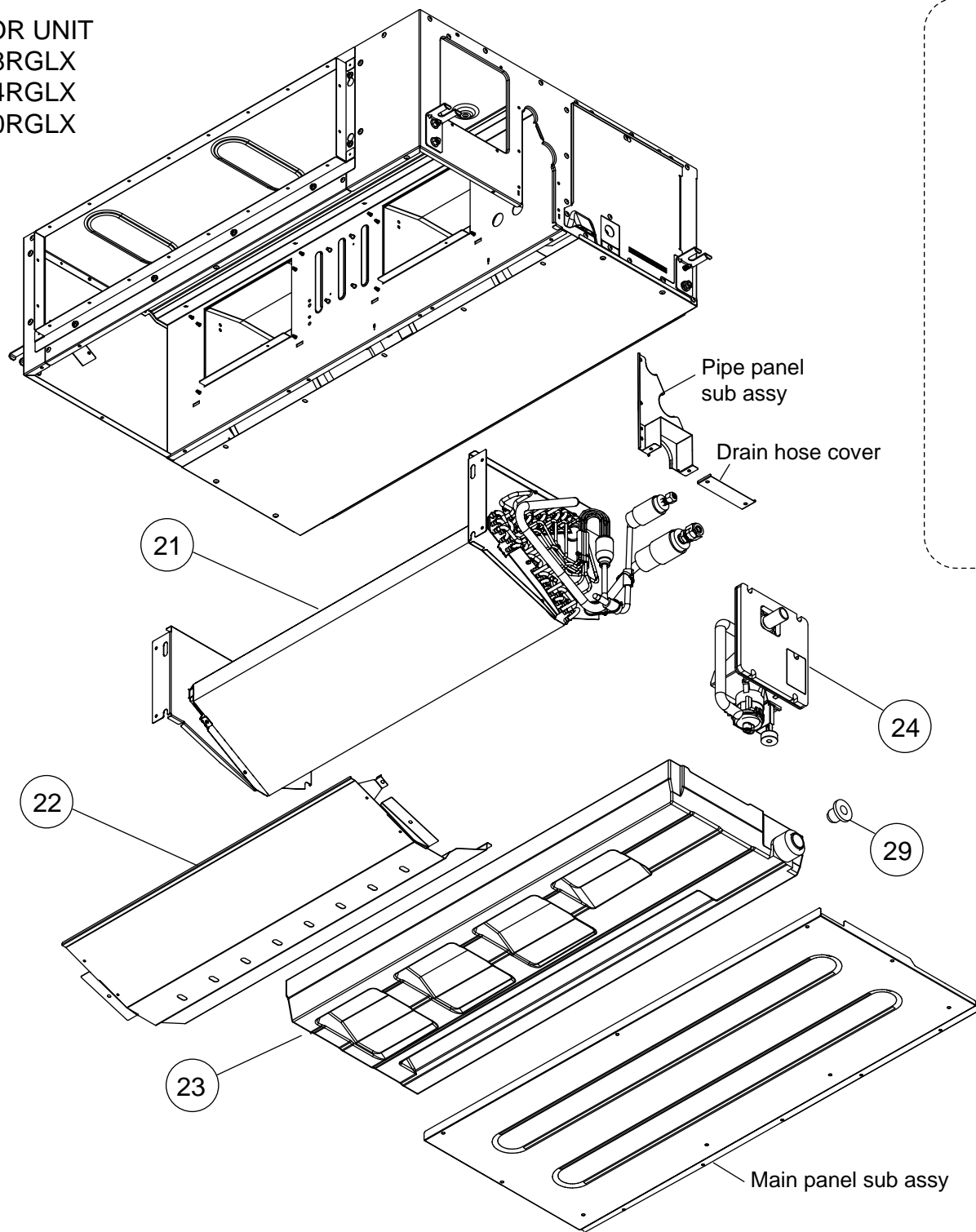
Ref.	Description	Part number
1	Hose Sub Assy	9378450219
2	Room Thermistor	9703299278
3	Pipe Thermistor	9900892005

INDOOR UNIT
 ARU18RGLX
 ARU24RGLX
 ARU30RGLX



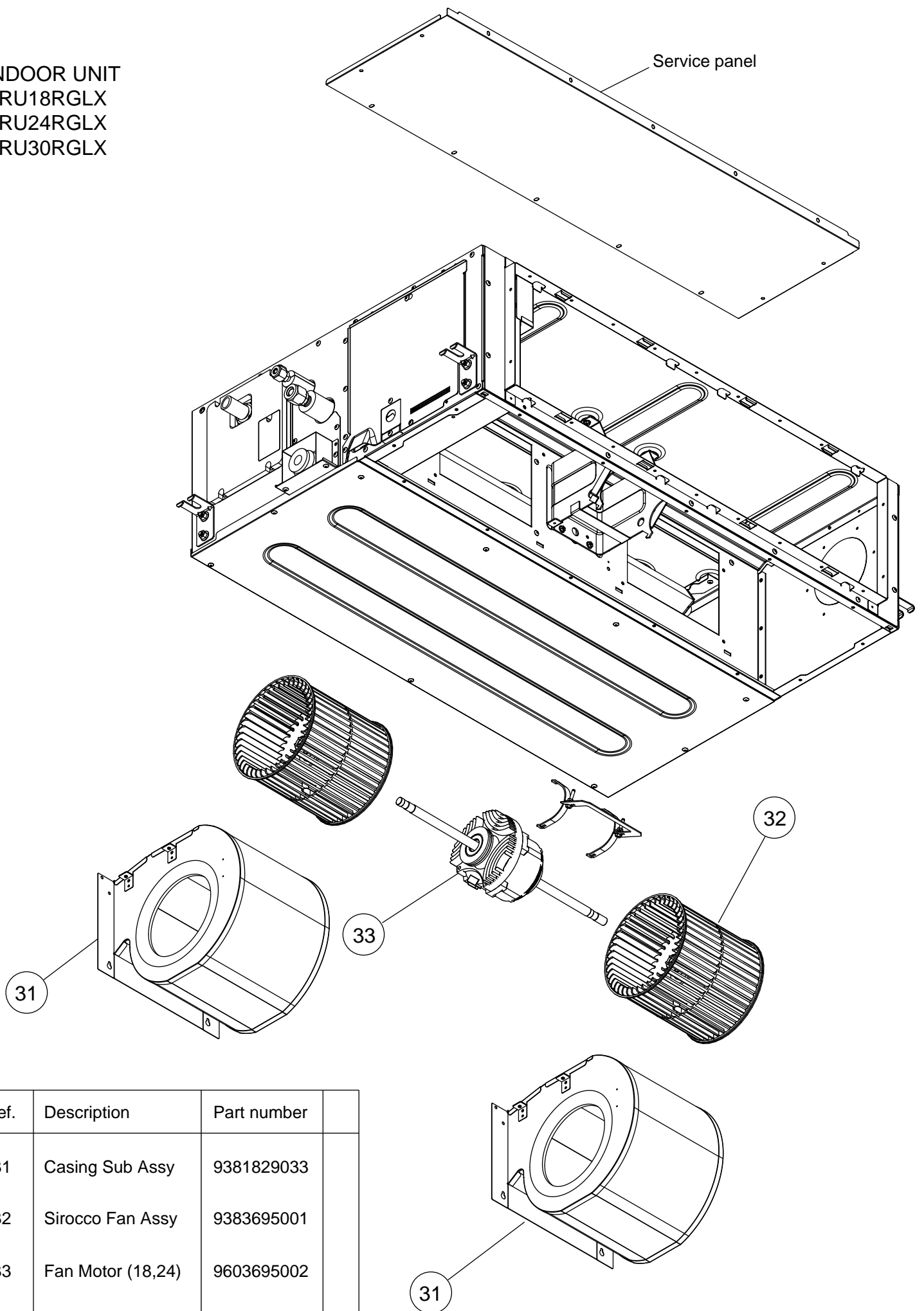
Ref.	Description	Part number
11	Main PCB (18)	9710995644
11	Main PCB (24)	9710995651
11	Main PCB (30)	9710995668
12	Holder	0600063023
13	Communication PCB	9710019005
14	Power Supply PCB (18,24)	9710032011
14	Power Supply PCB (30)	9710261077
15	Reactor Assy	9900898014
16	Terminal (Remote)	9900896003
17	Terminal (Power)	9900568009
18	Heatsink (30 only)	9381518005

INDOOR UNIT
 ARU18RGLX
 ARU24RGLX
 ARU30RGLX



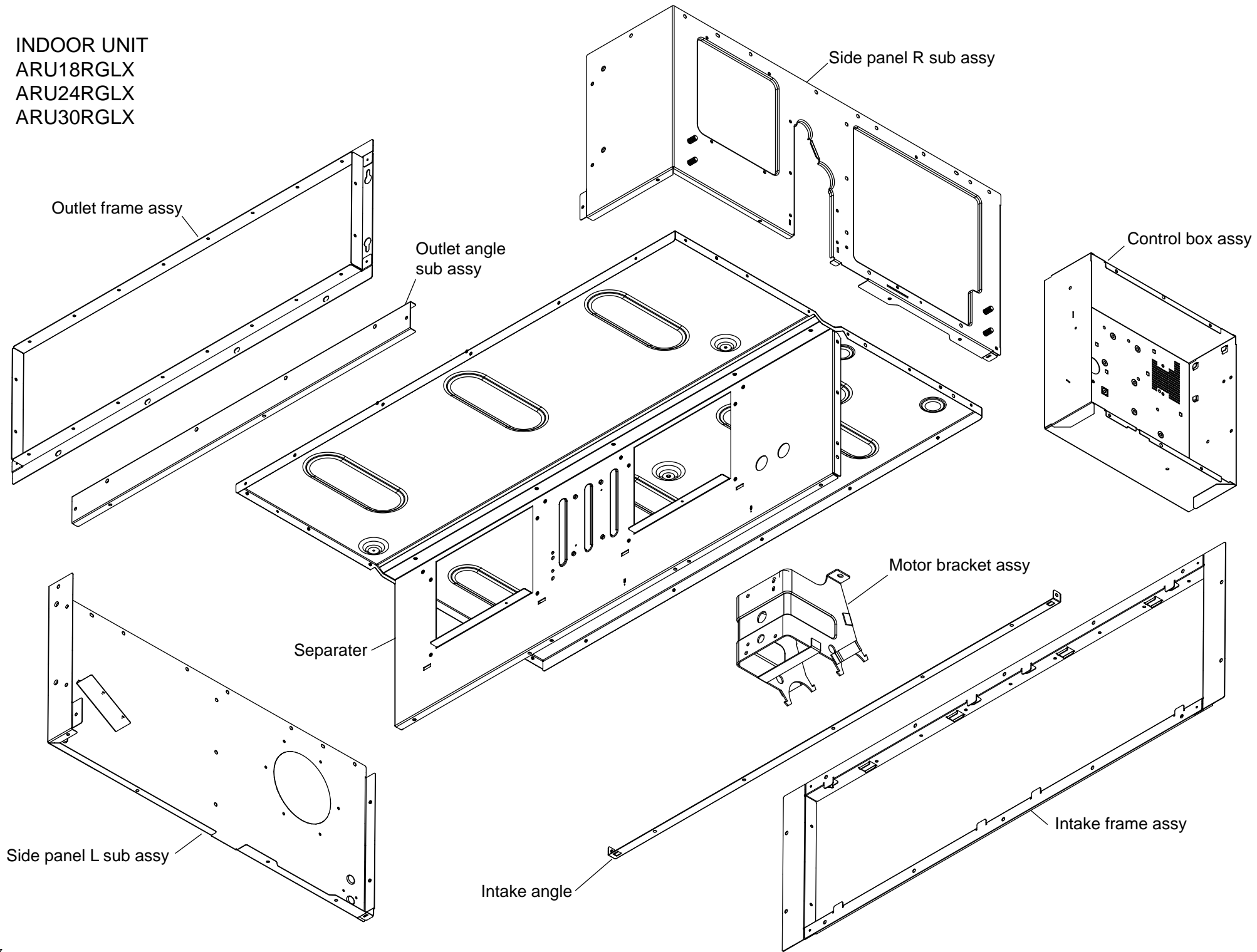
Ref.	Description	Part number
21	Evaporator Total Assy (18)	9374517992
21	Evaporator Total Assy (24,30)	9383816000
22	Drain Pan Cover 2 Fan Sub Assy	9383937019
23	Drain Pan Sub Assy	9381752027
24	Drain Pump Sub Assy	9381766017
25	Float Switch	9900465070
26	Pump Assy	9900890018
27	Drain Hose	9381576005
28	Drain Port	9381565009
29	Drain Cap	9381578009

INDOOR UNIT
 ARU18RGLX
 ARU24RGLX
 ARU30RGLX



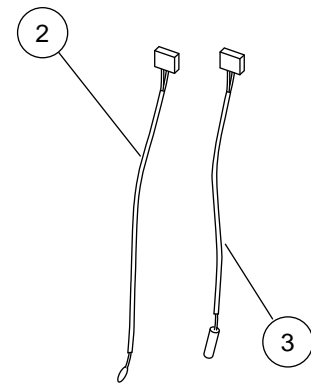
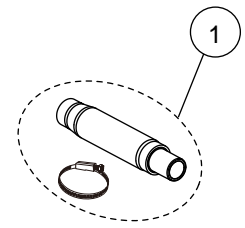
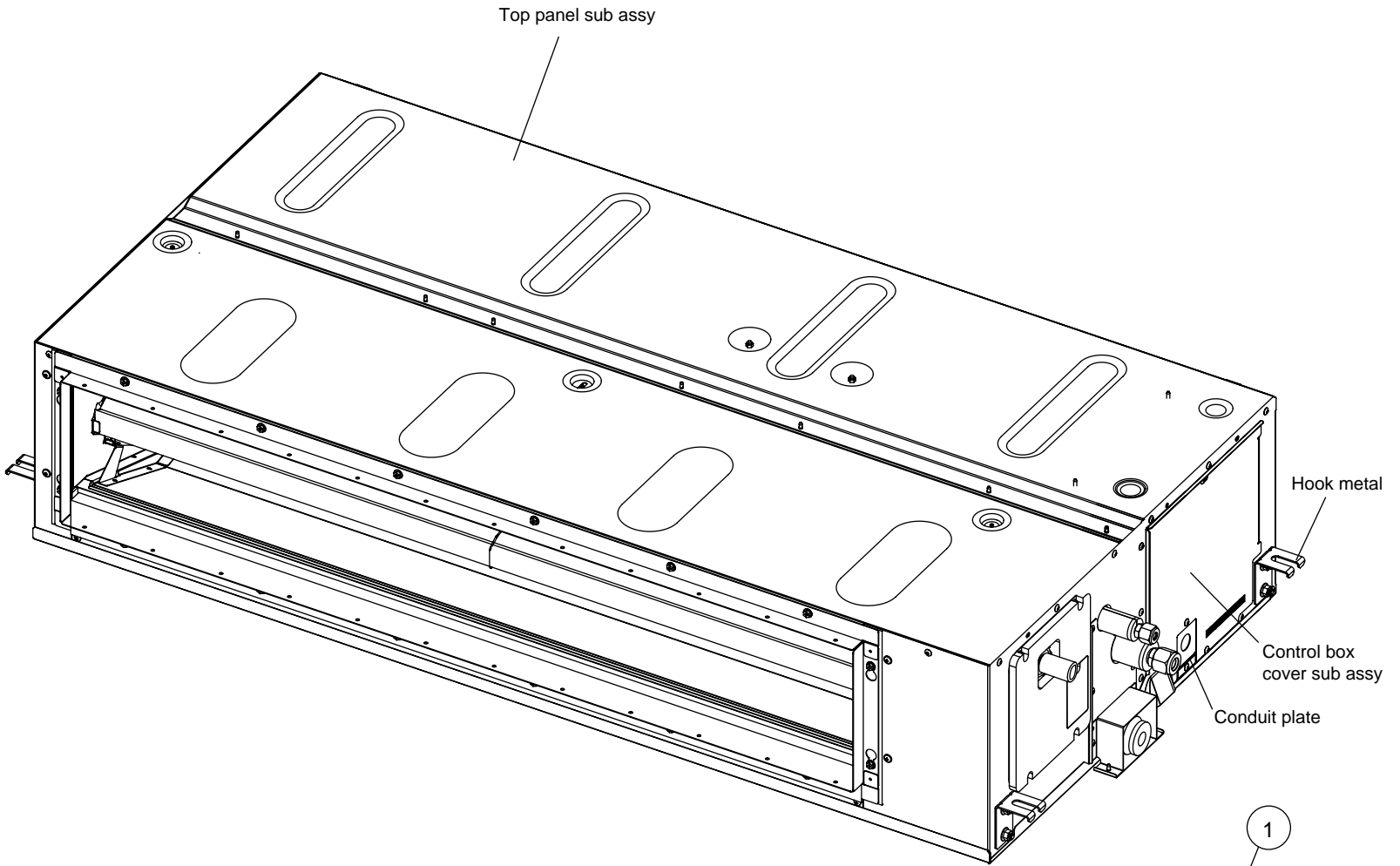
Ref.	Description	Part number
31	Casing Sub Assy	9381829033
32	Sirocco Fan Assy	9383695001
33	Fan Motor (18,24)	9603695002
33	Fan Motor (30)	9603481018

INDOOR UNIT
ARU18RGLX
ARU24RGLX
ARU30RGLX



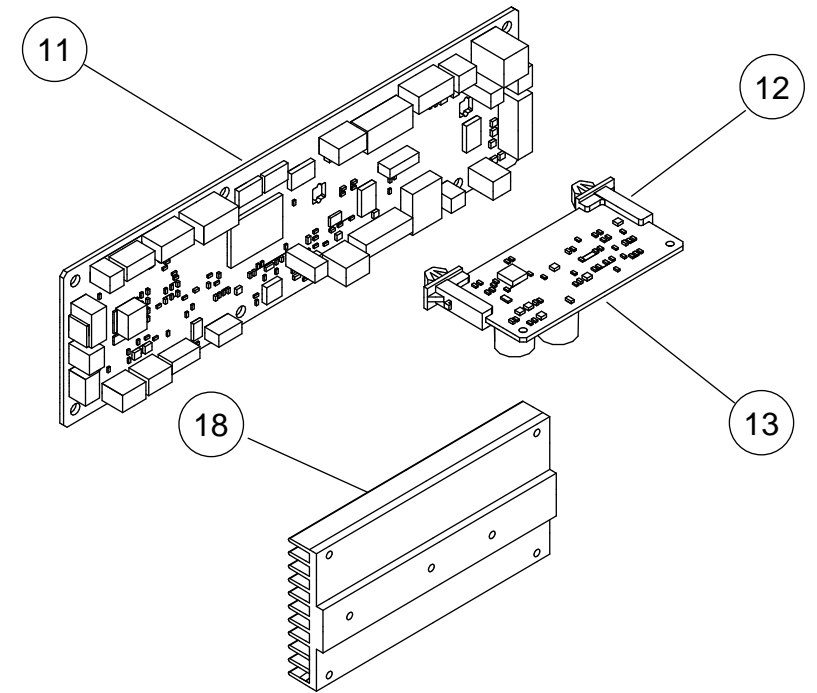
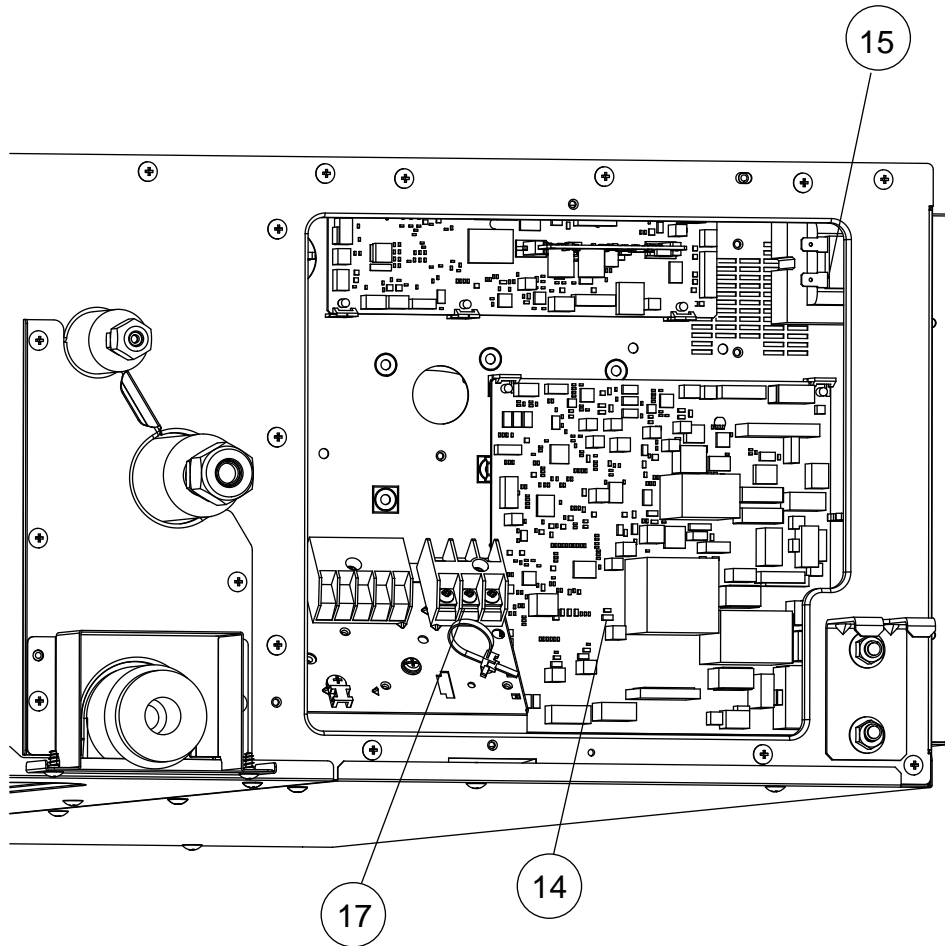
PARTS

INDOOR UNIT
 ARU36RGLX
 ARU42RGLX
 ARU48RGLX



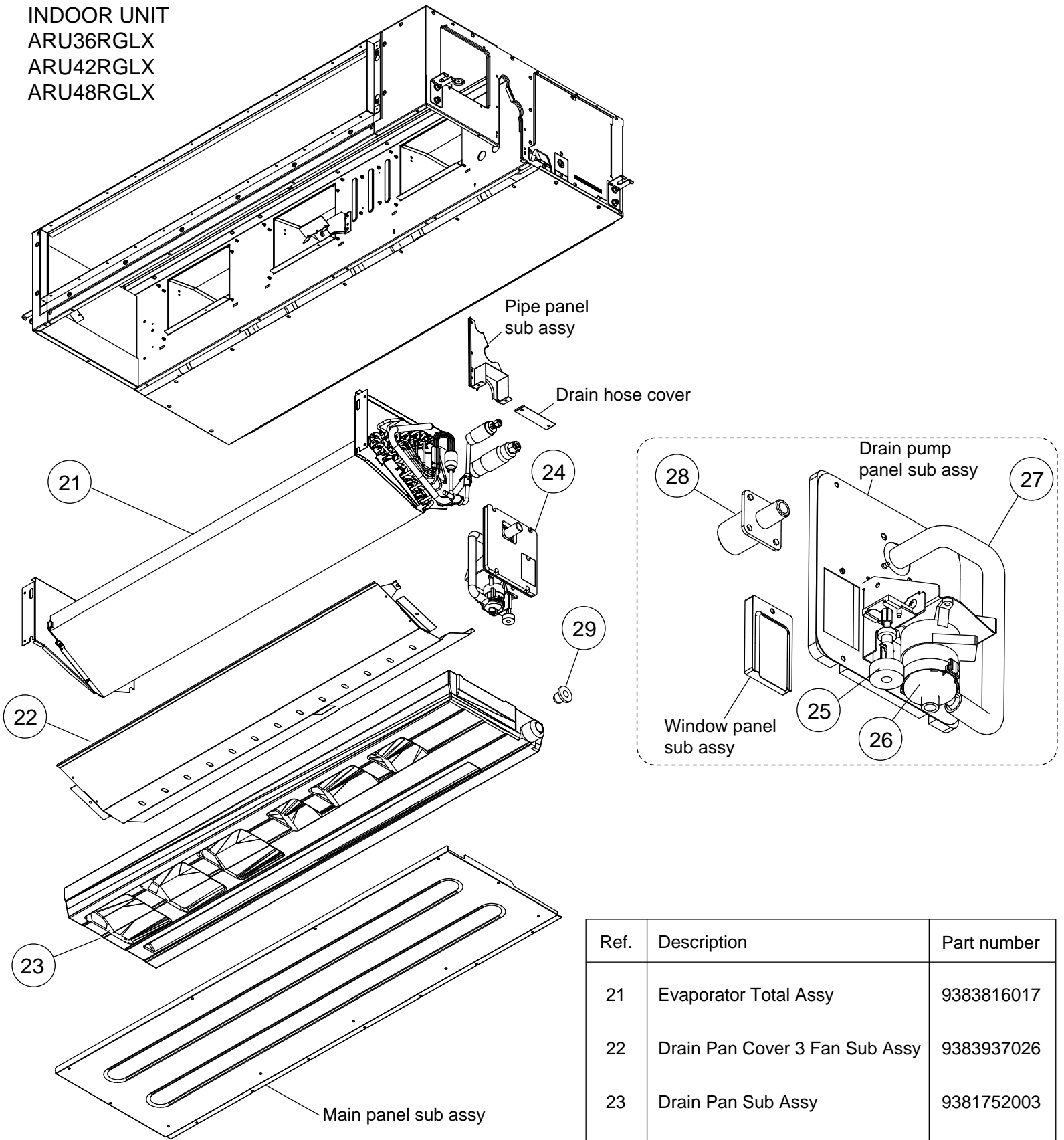
Ref.	Description	Part number
1	Hose sub assy	9378450219
2	Room thermistor	9703299278
3	Pipe thermistor	9900892005

INDOOR UNIT
 ARU36RGLX
 ARU42RGLX
 ARU48RGLX

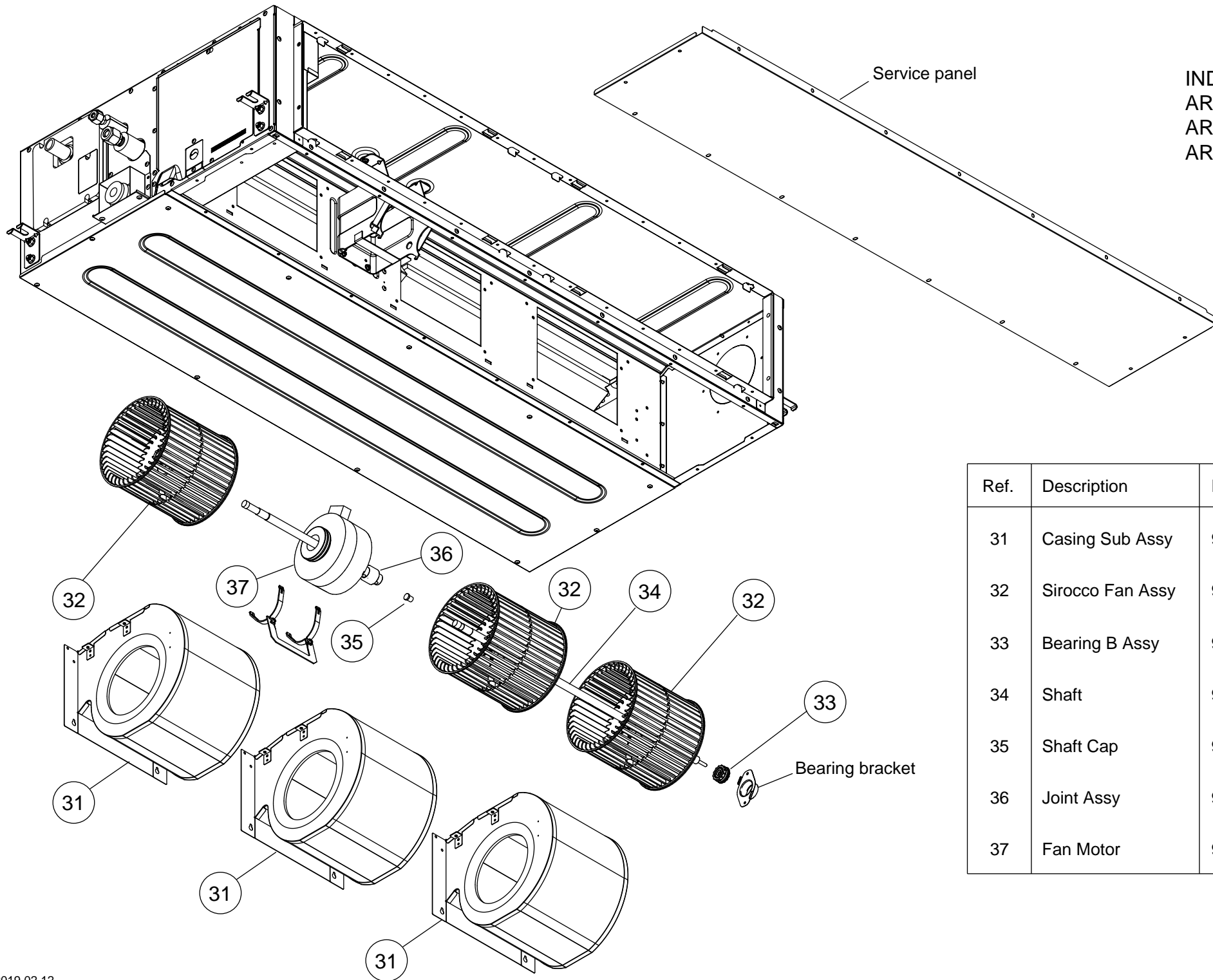


Ref.	Description	Part number
11	Main PCB (36)	9710995675
11	Main PCB (42)	9710995682
11	Main PCB (48)	9710995699
12	Holder	0600063023
13	Communication PCB	9710019005
14	Power Supply PCB	9710261084
15	Reactor Assy	9900898014
16	Terminal (Remote)	9900896003
17	Terminal (Power)	9900568009
18	Heatsink	9381518005

INDOOR UNIT
 ARU36RGLX
 ARU42RGLX
 ARU48RGLX



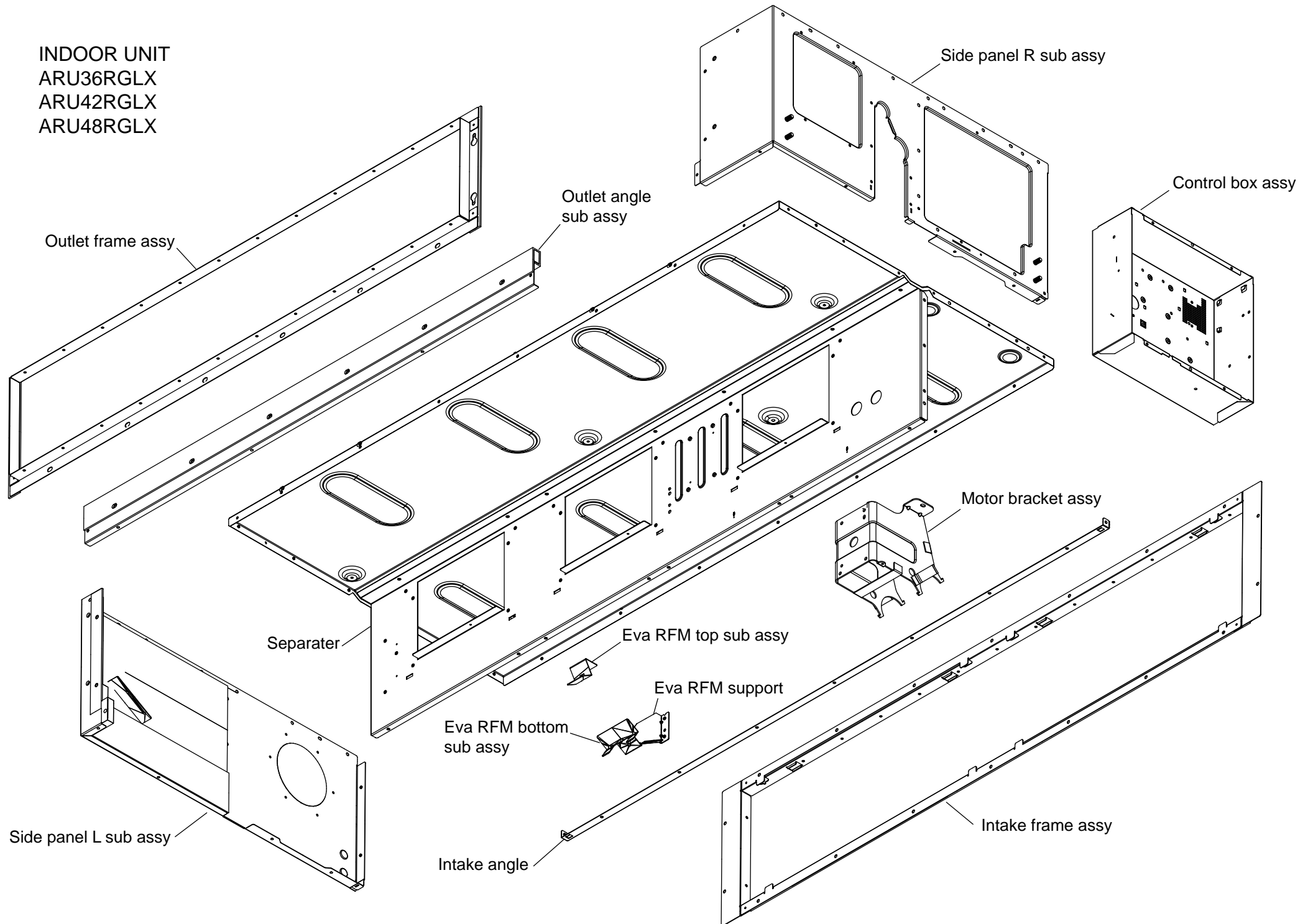
Ref.	Description	Part number
21	Evaporator Total Assy	9383816017
22	Drain Pan Cover 3 Fan Sub Assy	9383937026
23	Drain Pan Sub Assy	9381752003
24	Drain Pump Sub Assy	9381766017
25	Float switch	9900465070
26	Pump Assy	9900890018
27	Drain Hose	9381576005
28	Drain Port	9381565009
29	Drain Cap	9381578009



INDOOR UNIT
 ARU36RGLX
 ARU42RGLX
 ARU48RGLX

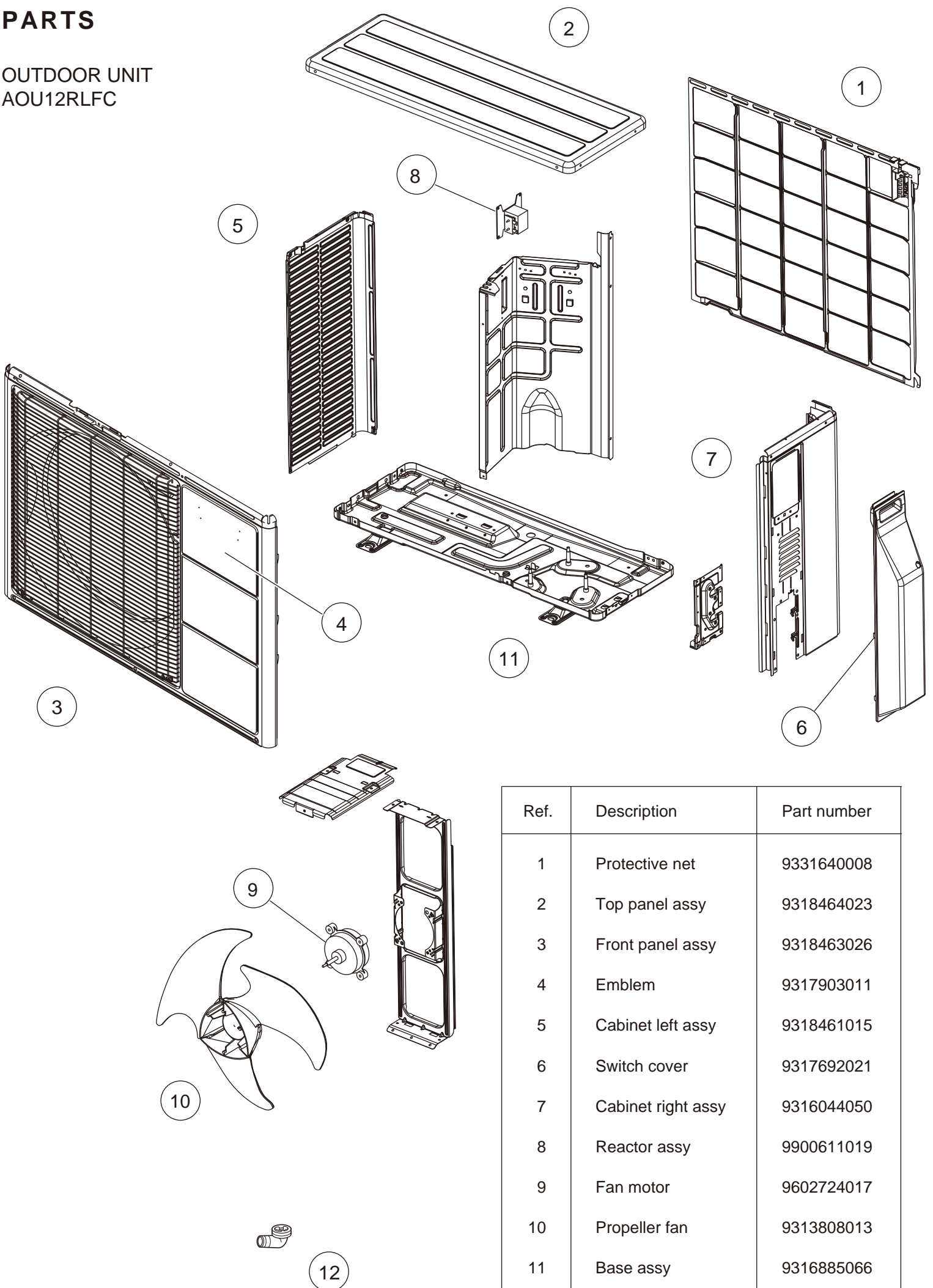
Ref.	Description	Part number
31	Casing Sub Assy	9381829033
32	Sirocco Fan Assy	9383695001
33	Bearing B Assy	9357921006
34	Shaft	9380398028
35	Shaft Cap	9381814015
36	Joint Assy	9378038035
37	Fan Motor	9603480011

INDOOR UNIT
ARU36RGLX
ARU42RGLX
ARU48RGLX



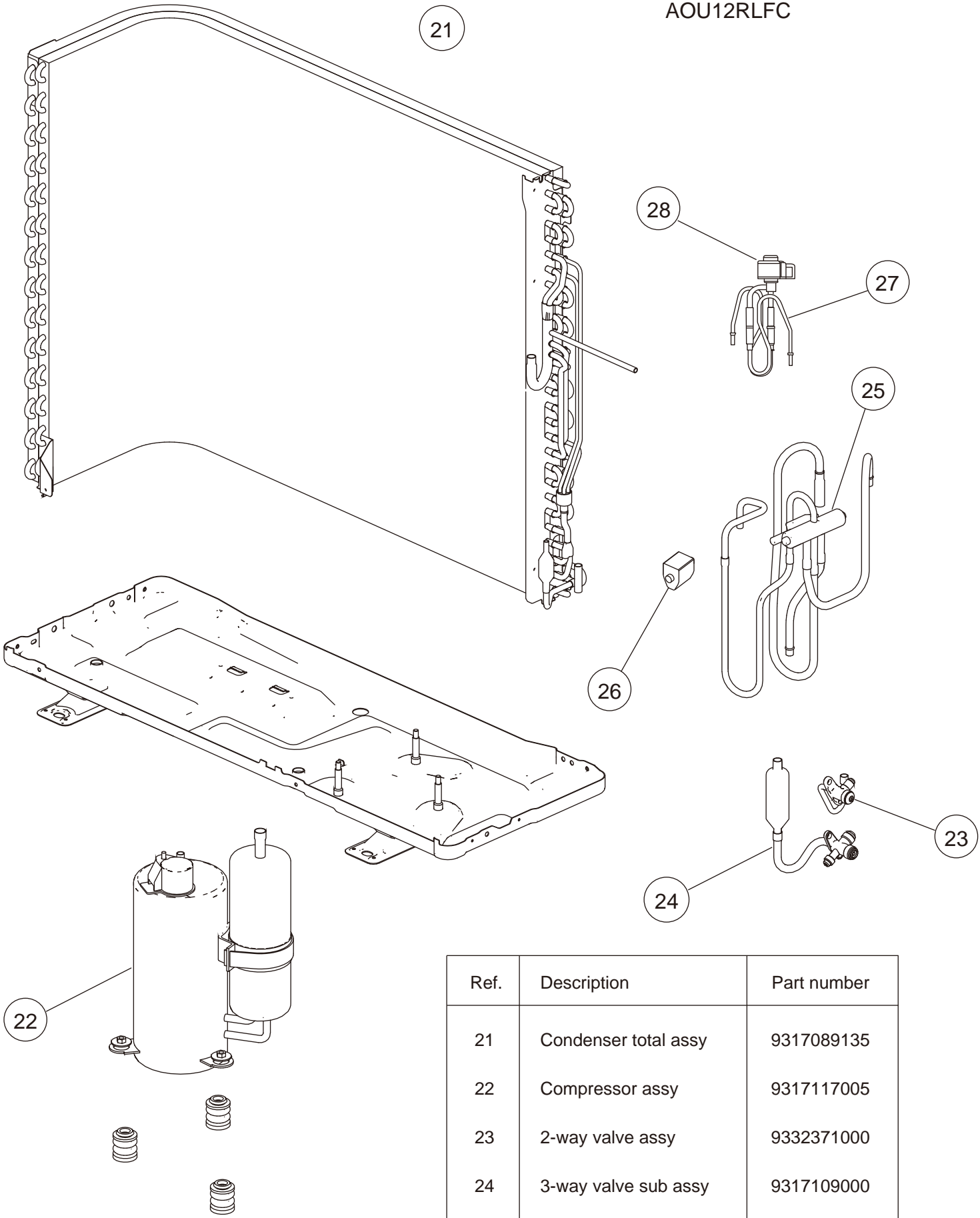
PARTS

OUTDOOR UNIT
AOU12RLFC



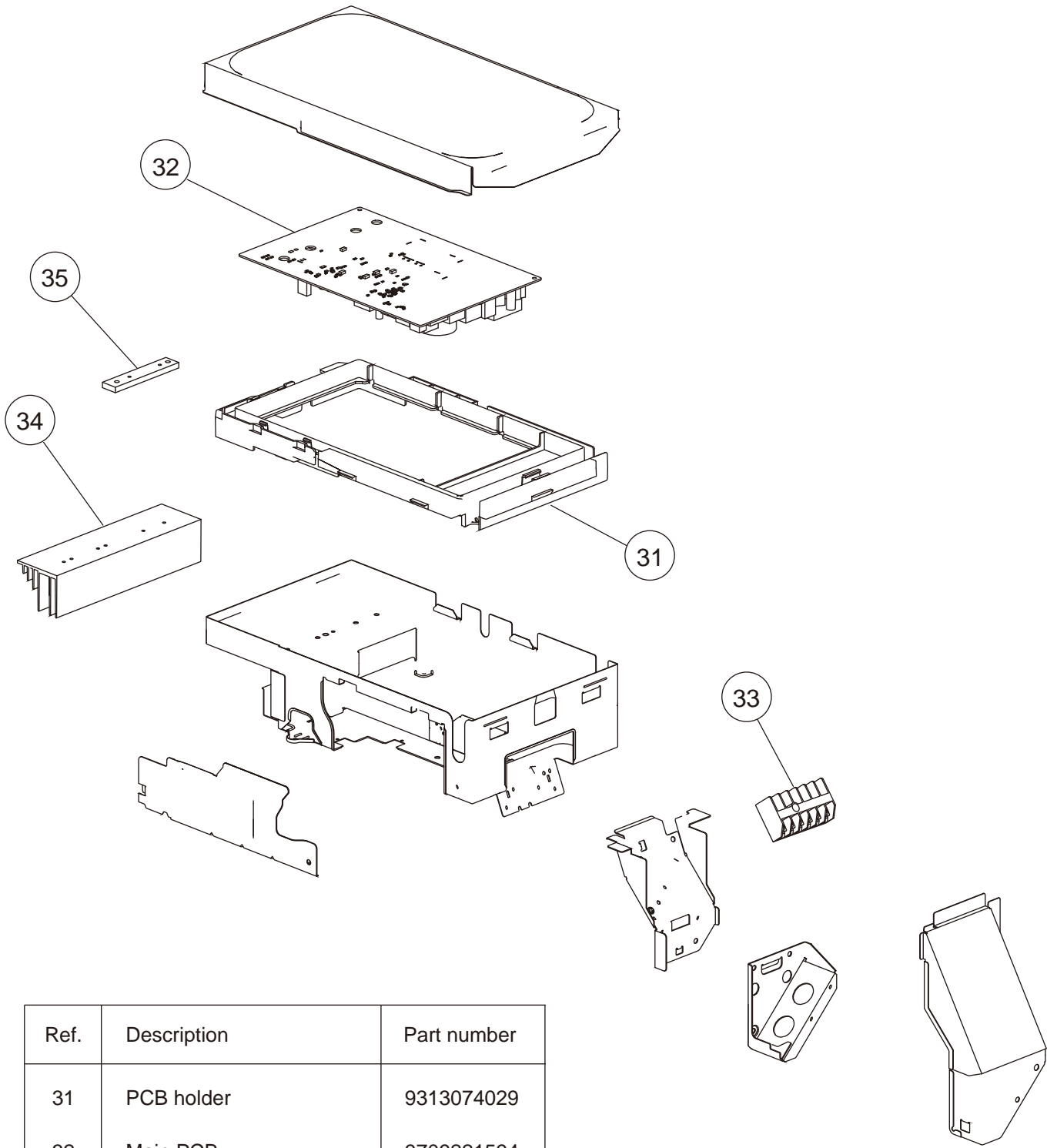
Ref.	Description	Part number
1	Protective net	9331640008
2	Top panel assy	9318464023
3	Front panel assy	9318463026
4	Emblem	9317903011
5	Cabinet left assy	9318461015
6	Switch cover	9317692021
7	Cabinet right assy	9316044050
8	Reactor assy	9900611019
9	Fan motor	9602724017
10	Propeller fan	9313808013
11	Base assy	9316885066
12	Drain assy	9303029022

OUTDOOR UNIT
 AOU12RLFC



Ref.	Description	Part number
21	Condenser total assy	9317089135
22	Compressor assy	9317117005
23	2-way valve assy	9332371000
24	3-way valve sub assy	9317109000
25	4-way valve assy	9317110020
26	Solenoid	9970110047
27	Pulse motor valve assy	9332368000
28	Expansion valve coil	9970095030

OUTDOOR UNIT
 AOU12RLFC

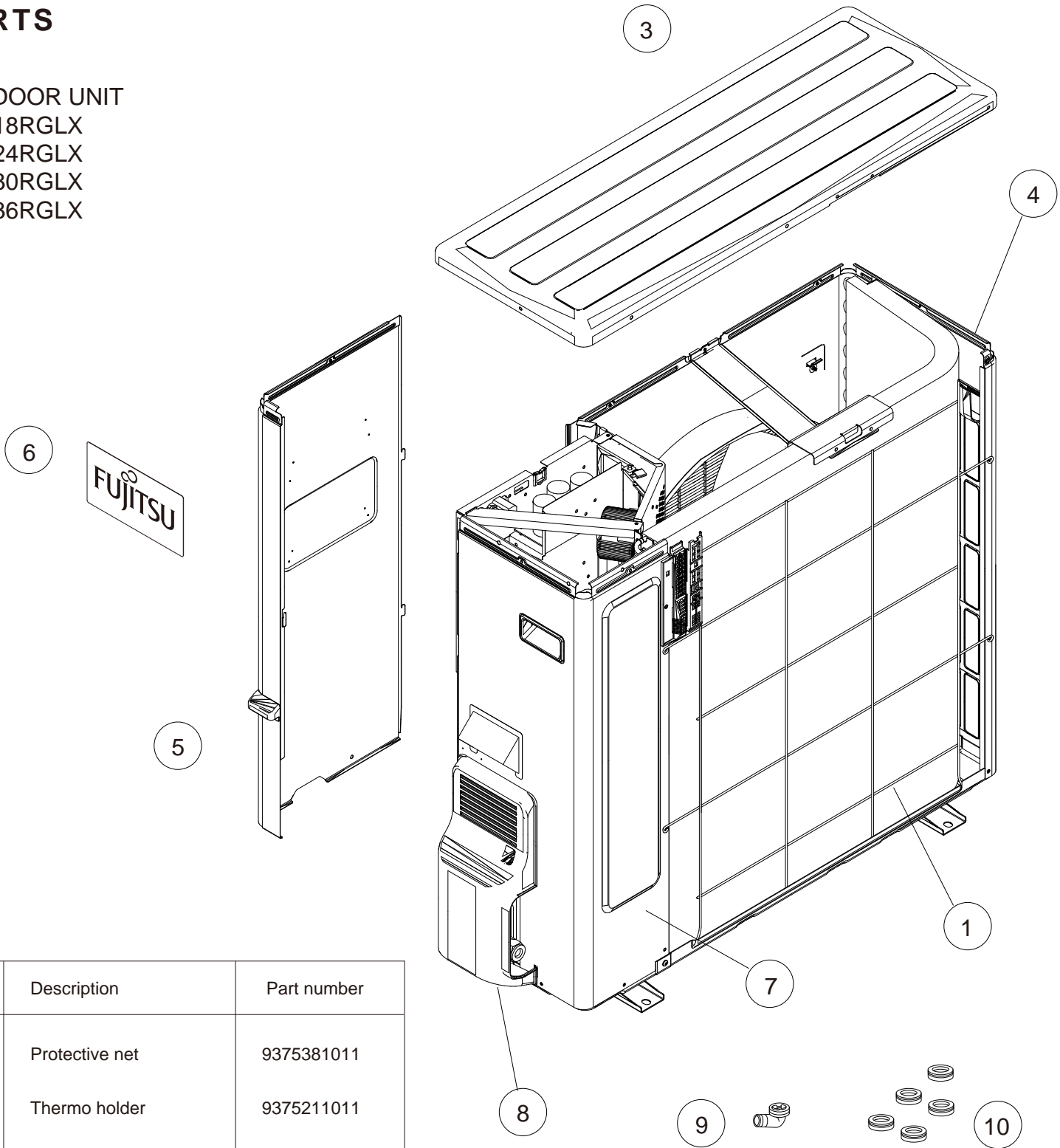


Ref.	Description	Part number
31	PCB holder	9313074029
32	Main PCB	9709221594
33	Terminal	9900016081
34	Heatsink A	9314410017
35	Heatsink B	9314090011
--	Outdoor thermistor	9900544010
--	Thermistor assy	9900614027

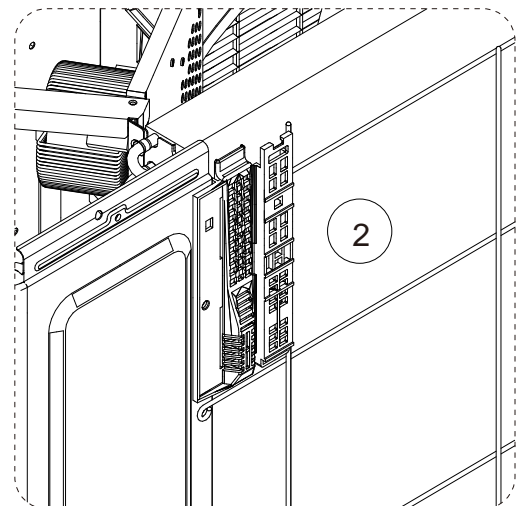
PARTS

OUTDOOR UNIT

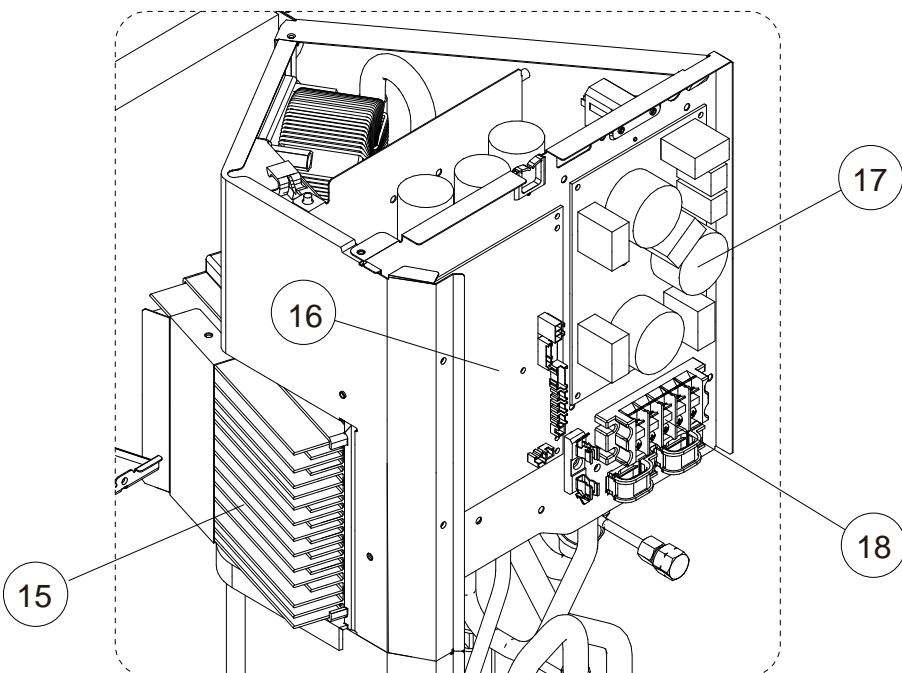
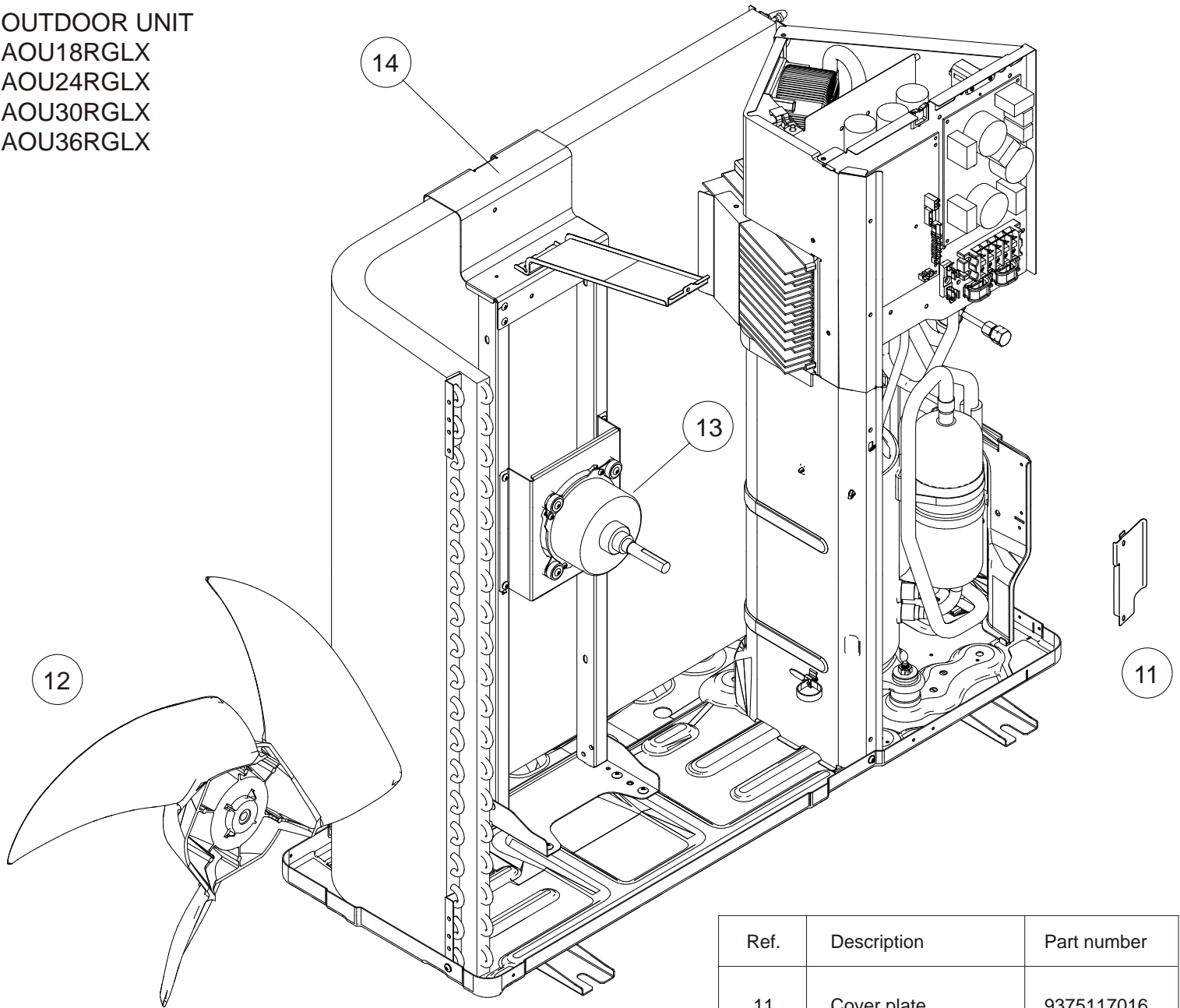
AOU18RGLX
AOU24RGLX
AOU30RGLX
AOU36RGLX



Ref.	Description	Part number
1	Protective net	9375381011
2	Thermo holder	9375211011
3	Top panel sub assy	9374417070
4	Front panel sub assy	9374414079
5	Service panel sub assy	9374415106
6	Rear emblem	9351355005
7	Right panel sub assy	9374416271
8	Valve cover	9374174010
9	Drain assy	9303029015
10	Drain cap	313166024302

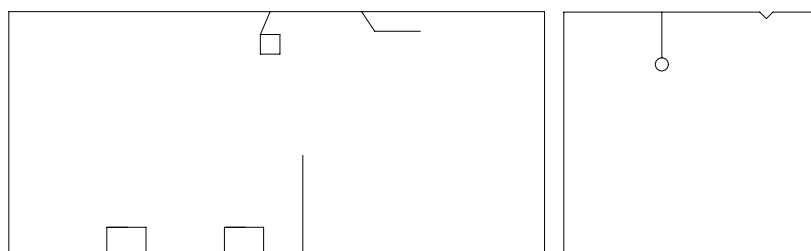
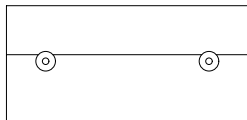
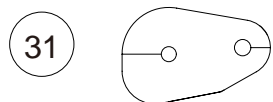
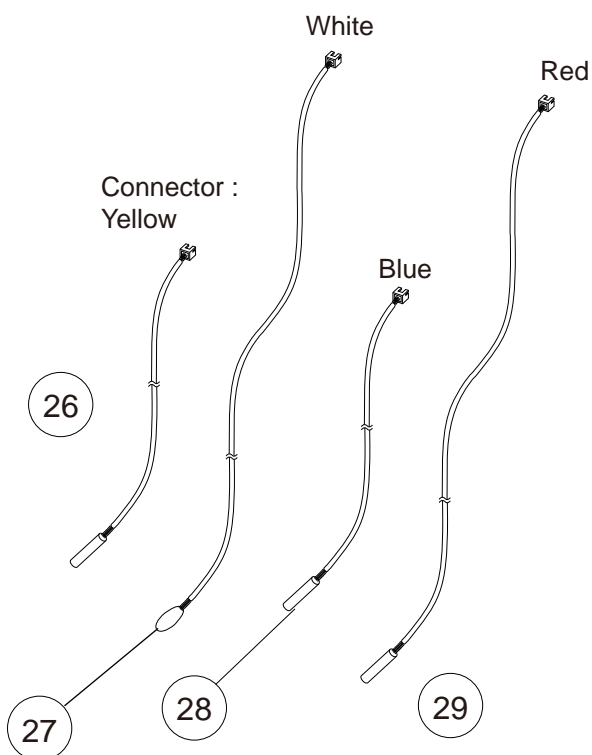
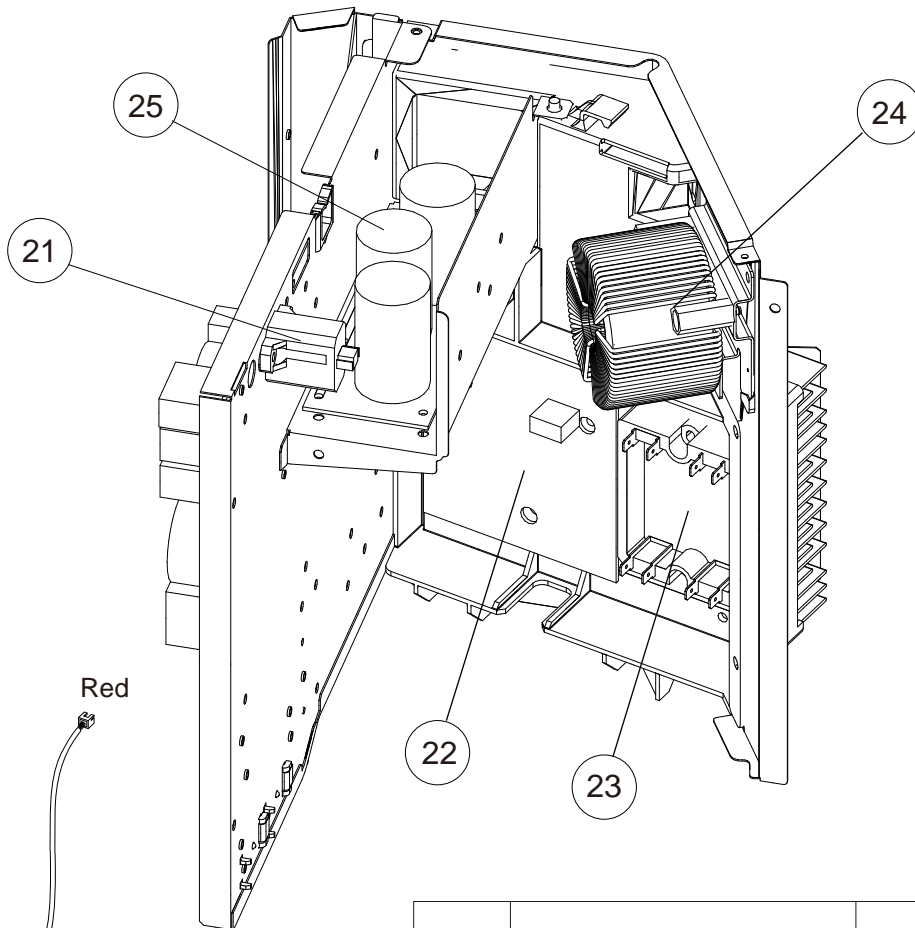


OUTDOOR UNIT
 AOU18RGLX
 AOU24RGLX
 AOU30RGLX
 AOU36RGLX



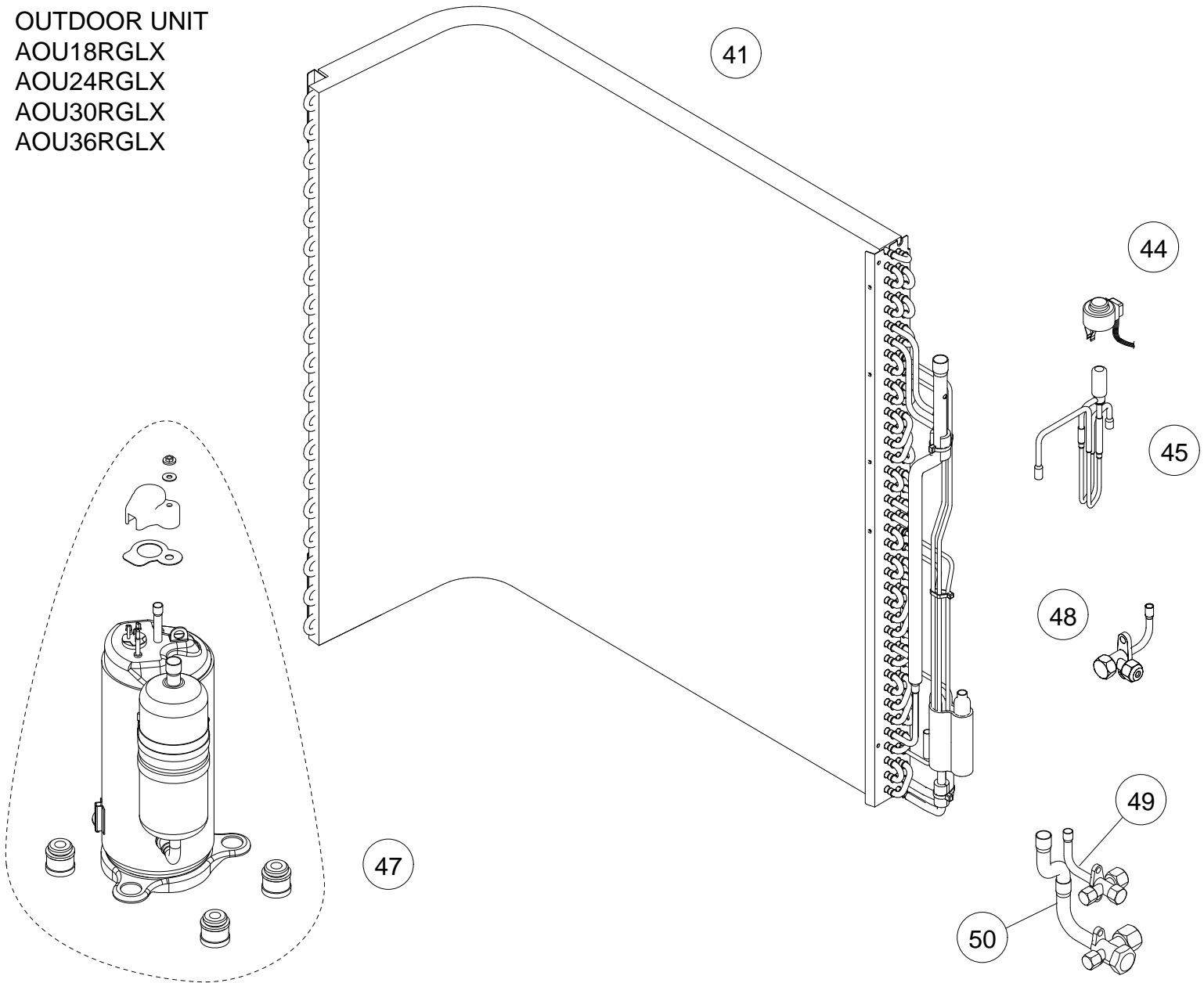
Ref.	Description	Part number
11	Cover plate	9375117016
12	Propeller fan assy	9366378020
13	Fan motor	9602843015
14	Motor bracket sub assy	9374418152
15	Heatsink	9378530010
16	Main PCB (AOU18)	9708511818
16	Main PCB (AOU24)	9708511825
16	Main PCB (AOU30)	9708511832
16	Main PCB (AOU36)	9708511849
17	Filter PCB (AOU18)	9708513065
17	Filter PCB (24, 30, 36)	9708513072
18	Terminal 5P	9900203023

OUTDOOR UNIT
 AOU18RGLX
 AOU24RGLX
 AOU30RGLX
 AOU36RGLX

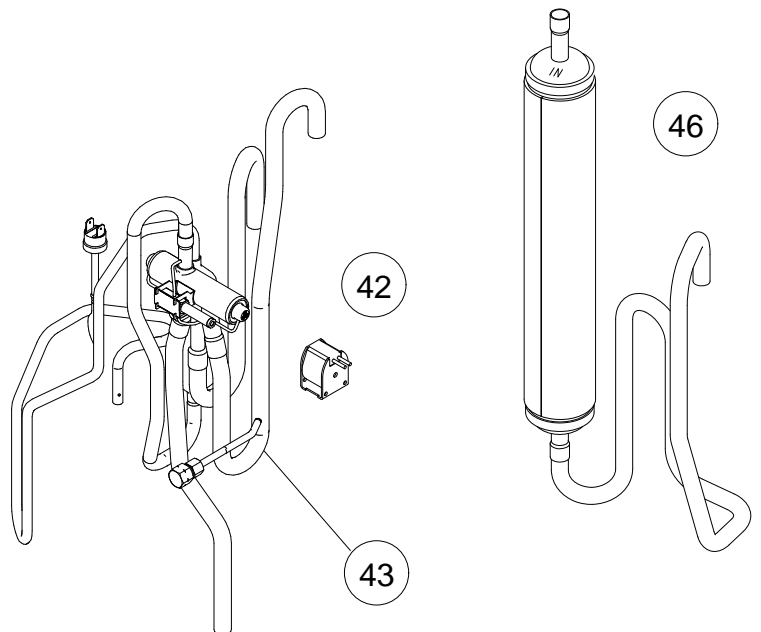


Ref.	Description	Part number
21	PTC thermistor (24, 30, 36)	9704265012
22	Transistor PCB (AOU18RGLX)	9708512174
22	Transistor PCB (24, 30, 36)	9708512181
23	ACTPM	9707592016
24	Choke coil	9900223014
25	Capacitor PCB (AOU18RGLX)	9709894033
25	Capacitor PCB (24, 30, 36)	9709894040
26	Discharge thermistor	9900461003
27	Thermistor (outdoor)	9900463007
28	Compressor thermistor	9900466015
29	Heat-exchanger thermistor	9900514013
30	Compressor cover A	9378851177
31	Compressor cover B	9378851283
32	Compressor cover C	9378851023
33	Compressor cover D	9378851184

OUTDOOR UNIT
AOU18RGLX
AOU24RGLX
AOU30RGLX
AOU36RGLX



Ref.	Description	Part number
41	Condenser A sub assy (complete)	9374420308
42	Solenoid	9970055034
43	4-way valve assy	9374425198
44	Expansion valve coil	9970095030
45	Expansion valve assy (AOU18RGLX)	9370947168
45	Expansion valve assy (24, 30, 36)	9370947144
46	Accumulator sub assy	9374426133
47	Compressor	9810135001
48	2-way valve assy (AOU18RGLX)	9372204054
49	3-way valve assy (AOU24, 30, 36)	9377958013
50	3-way valve sub assy (AOU18RGLX)	9374470136
50	3-way valve sub assy (24, 30, 36)	9374470044

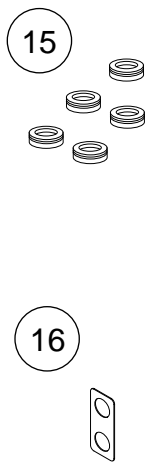
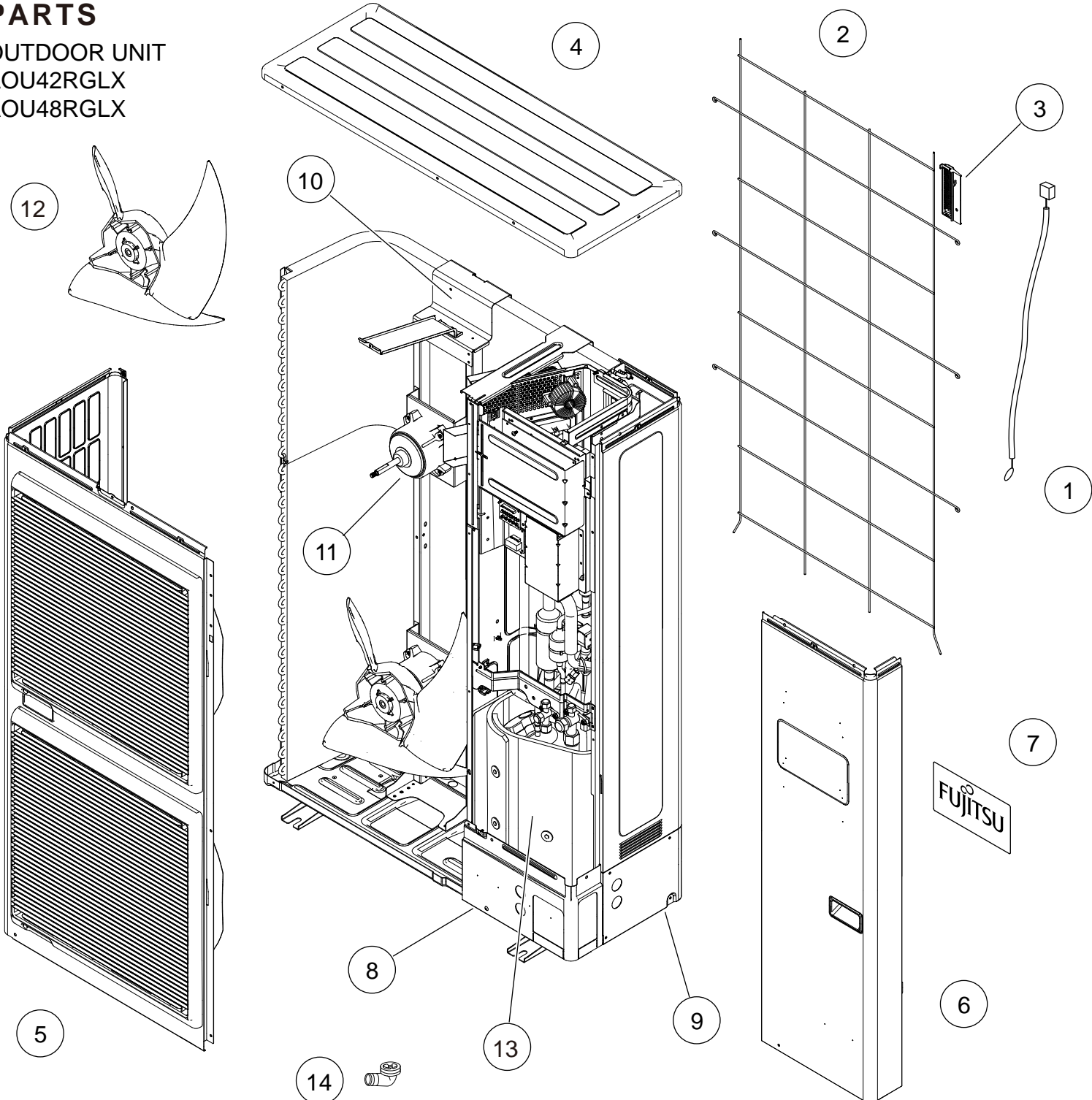


PARTS

OUTDOOR UNIT

AOU42RGLX

AOU48RGLX

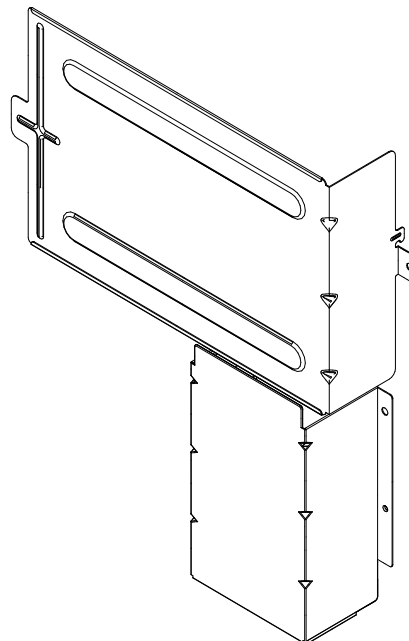
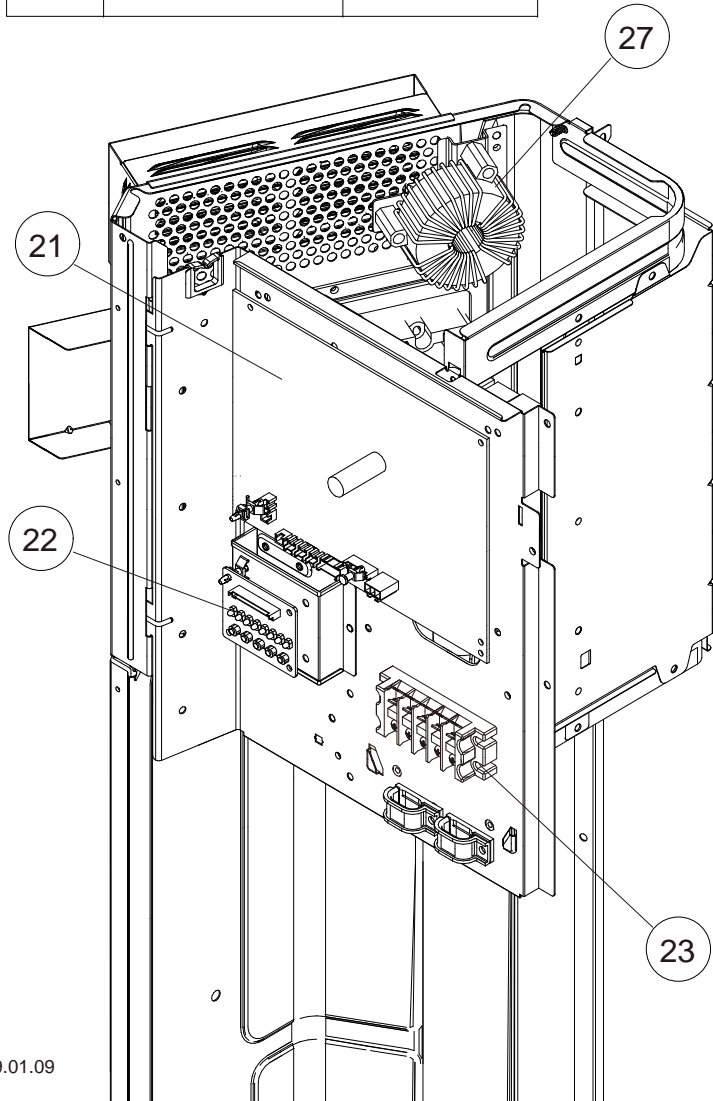
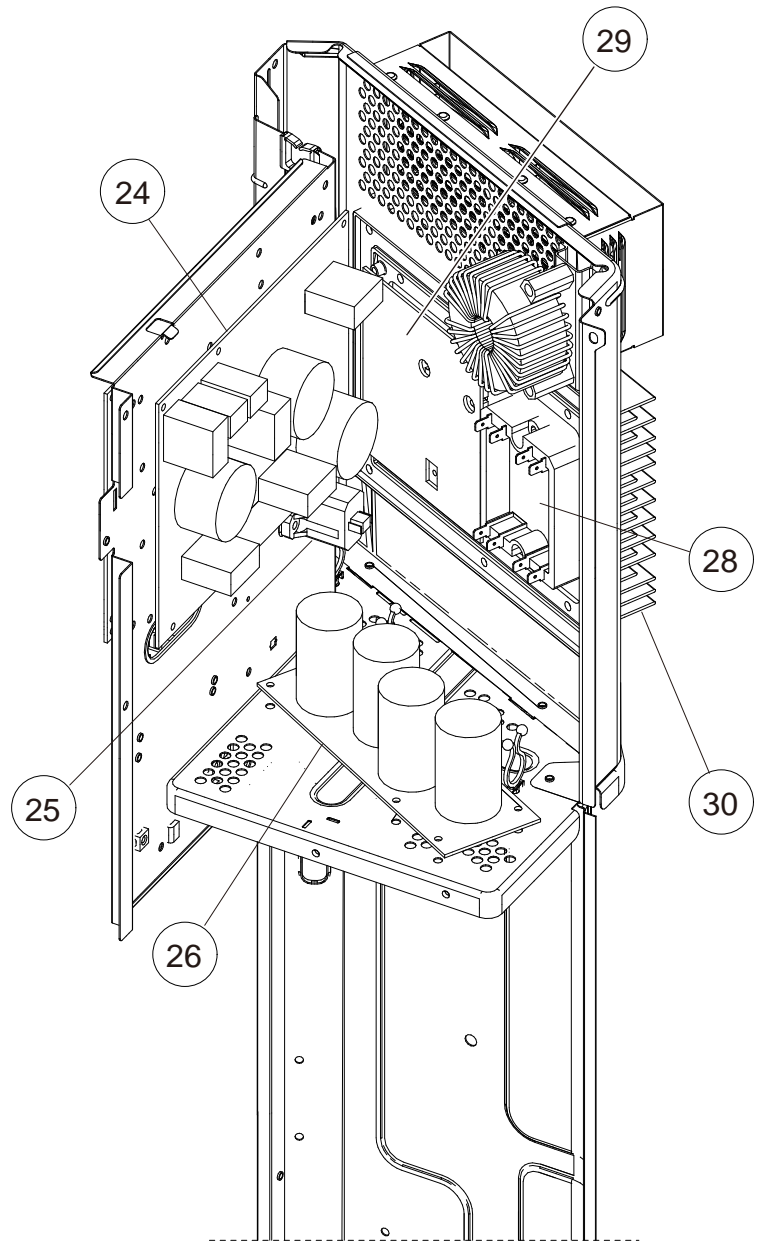


Ref.	Description	Part number
1	Outdoor thermistor	9900210069
2	Protective net	9375381042
3	Thermo holder	9375211011
4	Top panel sub assy	9374417087
5	Front panel sub assy	9374414154
6	Service panel sub assy	9374415113
7	Rear emblem	9351355005
8	Pipe cover front	9378861039

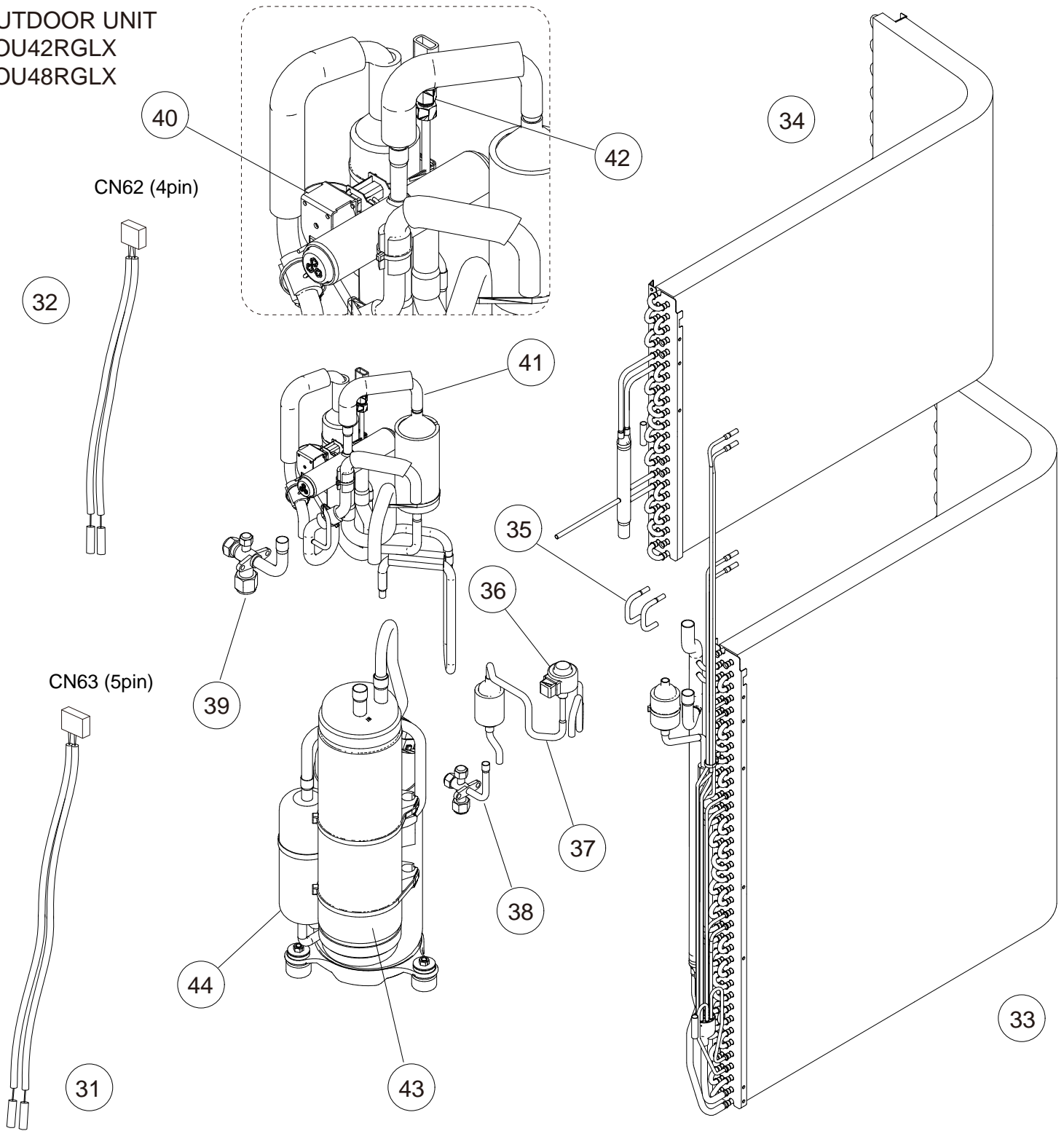
Ref.	Description	Part number
9	Right panel sub assy	9374416288
10	Motor bracket sub assy	9374418169
11	Motor DC brushless	9602843039
12	Propeller fan assy	9366378020
13	Compressor cover A	9378611078
14	Drain assy	9303029015
15	Drain cap	313166024302
16	Conduit plate	9379938006

OUTDOOR UNIT
 AOU42RGLX
 AOU48RGLX
 Control box

Ref.	Description	Part number
21	Main PCB (42)	9709904541
21	Main PCB (48)	9709904534
22	Indicator PCB	9708678016
23	Terminal	9900428020
24	Filter PCB (42)	9709903063
24	Filter PCB (48)	9709903087
25	Thermistor	9704265012
26	Capacitor PCB	9709894132
27	Choke Coil	9900624019
28	ACTPM	9707592016
29	Transistor PCB	9711285034
30	Heatsink (42)	9380358022
30	Heatsink Assy (48)	9383694004



OUTDOOR UNIT
 AOU42RGLX
 AOU48RGLX






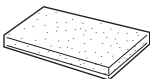

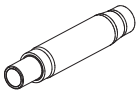
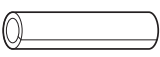

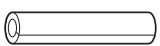


Ref.	Description	Part number
31	Thermistor assy (5 pins)	9900599027
32	Thermistor assy (4 pins)	9900598013
33	Condenser A sub assy (complete)	9374420261
34	Condenser B sub assy (complete)	9374422081
35	Bypass pipe A	9371324043
36	Expansion valve coil	9970098062
37	Expansion Valve Assy	9370947182

Ref.	Description	Part number
38	3-way valve aassy	9379077002
39	3-way valve assy	9379079006
40	Solenoid	9970113055
41	4-way valve assy	9374425525
42	Sensor	9970178023
43	Accumulator assy	9375250096
44	Compressor sub assy	9374423460


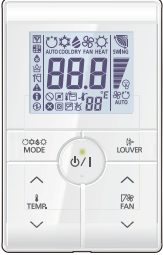


Accessories

INDOOR UNIT

Part name	Exterior	Q'ty	Part name	Exterior	Q'ty
Operating manual		1	Cable tie (large)		4
Installation manual (indoor unit)		1	Cable tie (medium)		1
Special nut A (large flange)		4	Cable tie (small)		1
Special nut B (small flange)		4	Drain hose insulation		1
Washer		8	Drain hose		1
Coupler heat insulation (large)		1	Hose band		1
Coupler heat insulation (small)		1			

Optional parts

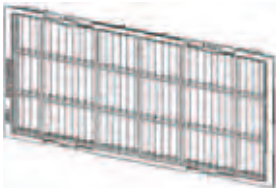
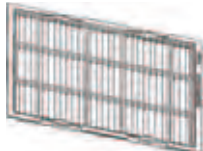
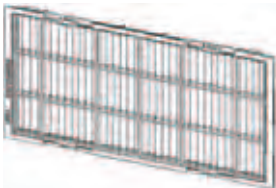
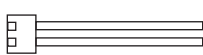
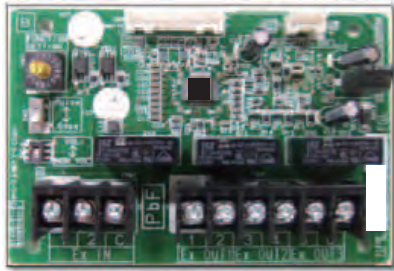
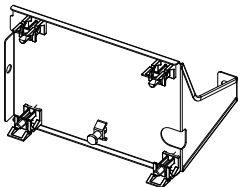

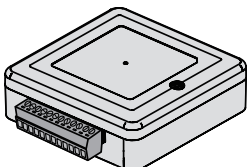
1. Controllers

Exterior	Part name	Model name	Summary
	Wired remote controller	UTY-RNRUZ*	Easy finger touch operation with LCD panel. Backlit LCD enables easy operation in a dark room. Wire type: Non-polar 2-wire
	Simple remote controller	UTY-RSRY	Compact remote controller concentrates on the basic functions such as Start/Stop, fan control, temperature setting, and operation mode. Wire type: Non-polar 2-wire
	Simple remote controller	UTY-RHRY	Compact remote controller concentrates on the basic functions such as Start/Stop, fan control, and temperature setting. Wire type: Non-polar 2-wire
	IR receiver kit with wireless remote controller	UTY-LBTUM	Unit control is performed by wireless remote controller.

NOTES:

- Available functions may differ by the remote controller. For details, refer to the operation manual.
- In this product, group controlling system of the wired remote controller is prohibited.

2. Others



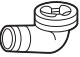
Exterior	Part name	Model name	Summary
	Long-life filter	UTD-LFNC	Long-life filter can be mounted to the indoor unit. (For 12 model)
	Long-life filter	UTD-LFNB	Long-life filter can be mounted to the indoor unit. (For 18, 24, and 30 models)
	Long-life filter	UTD-LFNA	Long-life filter can be mounted to the indoor unit. (For 36, 42, and 48 models)
	External connect kit	UTY-XWZXZG	Use to connect with various peripheral devices and air conditioner PCB. For control output port.
	External input and output PCB	UTY-XCSX	Use to connect with external devices and air conditioner PCB.
	External input and output PCB bracket	UTZ-GXNA	For installing the External input and output PCB.
	Wireless LAN adapter	UTY-TFSXZ2	Remotely manage an air conditioning system using mobile devices such as smartphones and tablets.
	Thermostat converter	UTY-TTRX	This converter can control Fujitsu General products using a third-party thermostat controller.

NOTE: Combined use of following optional parts and Wireless LAN adapter (UTY-TFSXZ2) is not allowed.



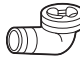
- External input and output PCB (UTY-XCSX)
- Thermostat converter

Accessories



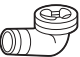
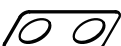
Model: AOU12RLFC

Part name	Exterior	Q'ty	Part name	Exterior	Q'ty
Installation manual		1	Drain cap		3
Drain pipe		1			

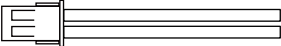
Models: AOU18RGLX, AOU24RGLX, AOU30RGLX, and AOU36RGLX

Part name	Exterior	Q'ty	Part name	Exterior	Q'ty
Installation manual		1	Drain cap		5
Drain pipe		1			

Models: AOU42RGLX and AOU48RGLX

Part name	Exterior	Q'ty	Part name	Exterior	Q'ty
Installation manual		1	Drain cap		5
Drain pipe		1	Conduit plate		1

Optional parts

Exterior	Part name	Model name	Summary
	External connect kit	UTY-XWZXZ3	Use to operate the external input and output functions of outdoor unit. (For 42 and 48 models)

1901G4795