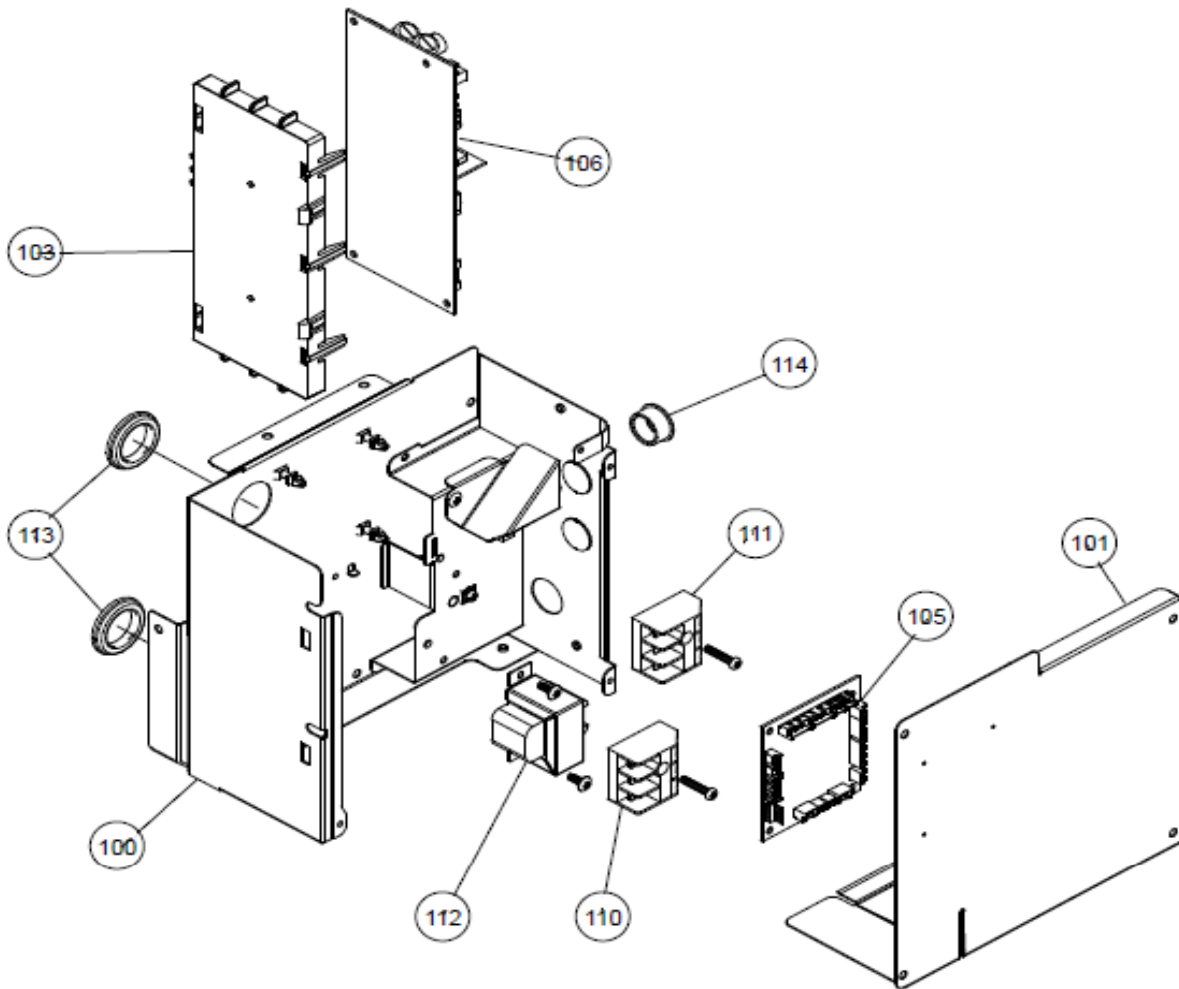
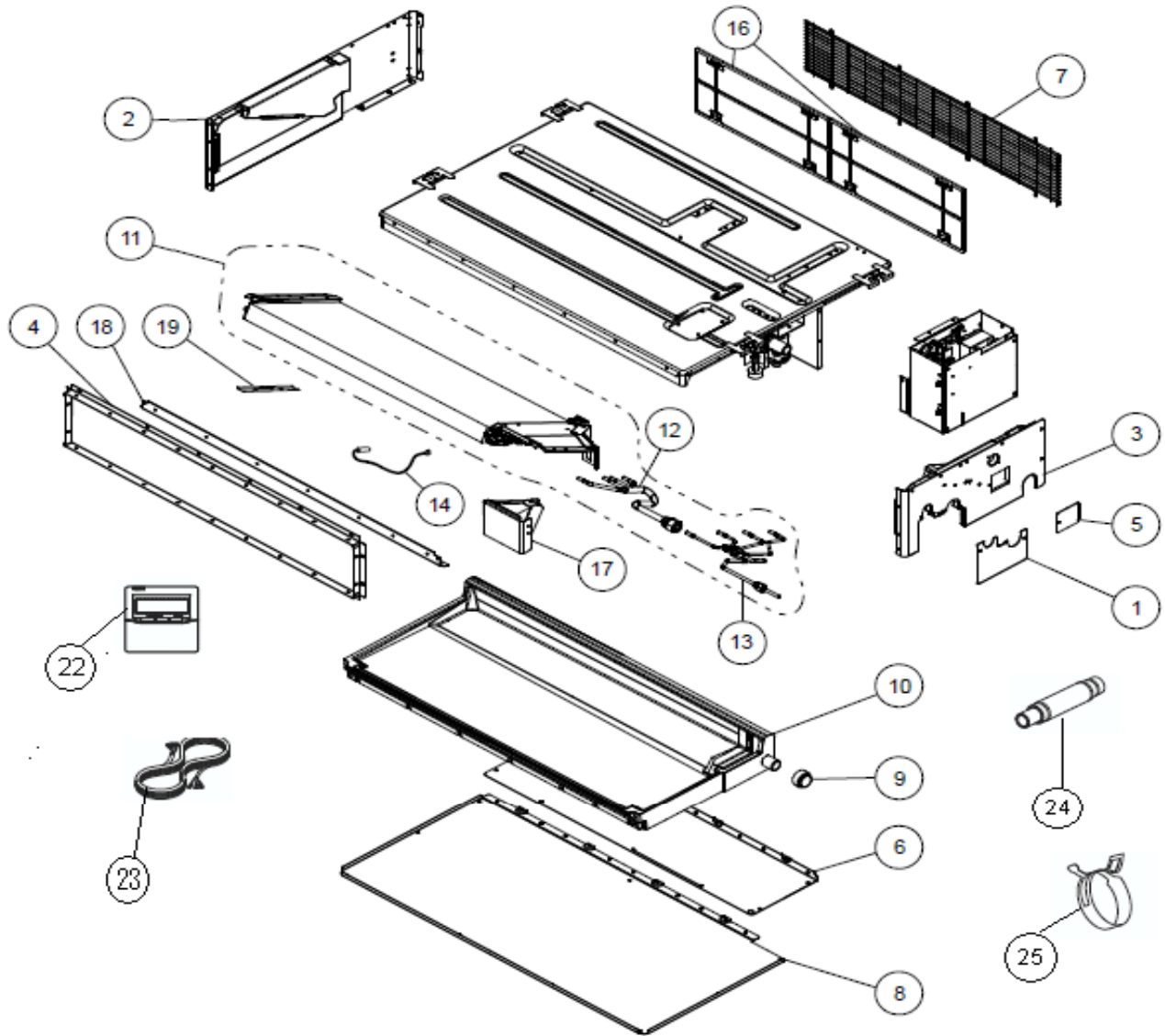


ARU18RLF - ELECTRICAL ASSY



| Bubble # | Part # | Description |
|----------|-------------|--|
| 100 | K9380041016 | CONTROL BOX ASSY AR*HFI |
| 101 | K9379806022 | CONTROL BOX COVER AR*HFI |
| 103 | K9379402019 | PCB HOLDER ARU** |
| 105 | K9707393699 | CONTROLLER PCB ARU18RLF# K06AK-1003HSE-C1 |
| 106 | K9707398243 | POWER FILTER PCB AR*HFI# K06AL-1006HSE-PO |
| 110 | K9306489045 | TERMINAL 3P AUU**RML# HP-T3031-3-L1 |
| 111 | K9703345012 | TERMINAL 3P WIRED REMOTE AUU*# HP-T3031-21 |
| 112 | K9707457018 | REACTOR ASSY AR*HFI RLEY41-18 (22MH 1.8A) |
| 113 | K9352173011 | CAP POWER AUU**RML RUBBER (EPDM 1YR5) |
| 114 | K9374407019 | ONE-TOUCH BUSHING AR*HFI TB-1926 |
| A | K0600470012 | FUSE AOHFI 3.15A 250V N5F013 HTR |

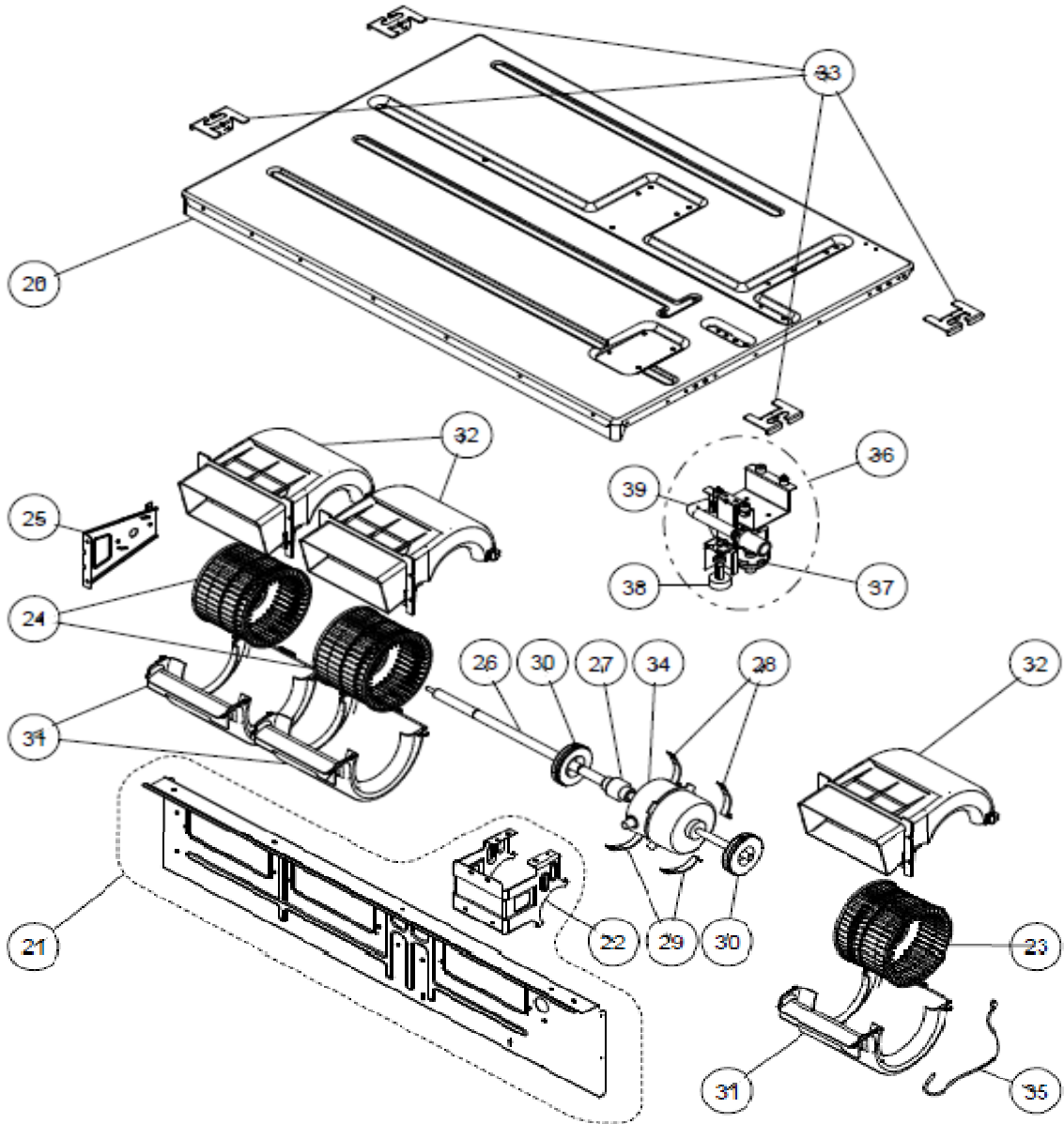
ARU18RLF - EVAPORATOR & CABINETY ASSY



| Bubble # | Part # | Description |
|----------|-------------|---|
| 1 | K9379900003 | PIPE PANEL SUB ASSY AR*HFI |
| 2 | K9379906005 | SIDE PANEL R AR*HFI |
| 3 | K9379907002 | SIDE PANEL L AR*HFI |
| 4 | K9379909013 | OUTLET FRAME SUB ASSY AR+HFI |
| 5 | K9379915007 | PANEL (WINDOW)SUB ASSY AR*HFI |
| 6 | K9379597005 | CABINET PANEL (3FANS) AR+HFI SGCC-Z-CF-X Z22 T0.6 |
| 7 | K9379638005 | FAN GUARD (3FAN) AR+HFI V SWA D1.6 |
| 8 | K9379902014 | PANEL (MAIN)SUB ASSY AR+HFI |
| 9 | K9358746004 | DRAIN CAP RUBBER ARU/ABU# |
| 10 | K9379901017 | DRAIN PAN SUB ASSY AR18RLF |
| 11 | K9364499604 | EVAPORATOR TA AR18RLF W/COUPLING & DISTR PIPE |
| 12 | K9373038788 | COUPLING PIPE ASSY ARU18RLF |
| 14 | K9900498085 | THERMISTOR PIPE ASSY AR*HFI# PTM-51G-F10-9 |

| | | |
|----|-------------|---|
| 16 | K9379575003 | AIR FILTER AR+HFI VB551 PP/L400 |
| 17 | K9379576000 | VALVE COVER AR*HFI |
| 18 | K9379594004 | FRONT PANEL (3FAN) ARU18RLF |
| 19 | K9380033004 | COVER PIPE AR+HFI |
| 22 | K9318593006 | REMOTE CONTROL A*UHFI AR-WAE1U |
| 23 | K9372714010 | REMOTE WIRE 410 AUU** UL1015 3P AWG22 L=30' |
| 24 | K9379665032 | HOSE DRAIN AUU**HFI ID25-OD26L233 |
| 25 | K9379757003 | BAND HOSE AR*HFI |

ARU18RLF - FAN MOTOR PUMP



| Bubble # | Part # | Description |
|----------|-------------|---|
| 20 | K9379908016 | TOP PANEL SUB ASSY ARHFI |
| 21 | K9379898010 | SEPARATER SUB ASSY AR18+HFI |
| 22 | K9379612005 | MOTOR MOUNT AR*HFI |
| 23 | K9379570022 | SIRROCO FAN ASSY AR+HFI ARXD18LATH |
| 24 | K9379570039 | SIROCCO FAN ASSY AR+HFI |
| 25 | K9379627009 | BRACKET (BEARING) AR+HFI |
| 26 | K9379805001 | SHAFT ASSY AR+HFI |
| 27 | K9378038011 | JOINT ASSY AR+HFI# RB86 NBR+ADS ID14-12 |
| 28 | K9379613002 | MOTOR BAND W/NUT AR*HFI# |
| 29 | K9379614009 | MOTOR BAND W/O NUT AR*HFI# |
| 30 | K9379644006 | RUBBER VIBRATION PROOF AR*HFI |
| 31 | K9379572002 | CASING B AR*HFI |

| | | |
|----|-------------|---|
| 32 | K9379571005 | CASING U AR*HFI |
| 33 | K9379889001 | HOOK (METAL) AR*HFI |
| 34 | K9602968015 | MOTOR DC BRUSHLESS AR+HFI MFG-24WV AFG |
| 35 | K9703299247 | THERMISTOR ROOM AR-+HFI# KTEC-41-FG2-24 |
| 36 | K9379914000 | DRAIN PUMP ASSY ARHFI |
| 37 | K9900472047 | PUMP AR*HFI PLD-12230KG-9 |
| 38 | K9900465032 | FLOAT SWITCH AR*HFI S3004- |
| 39 | K9379913003 | DRAIN HOSE ASSY AR*HFI D20-32 |