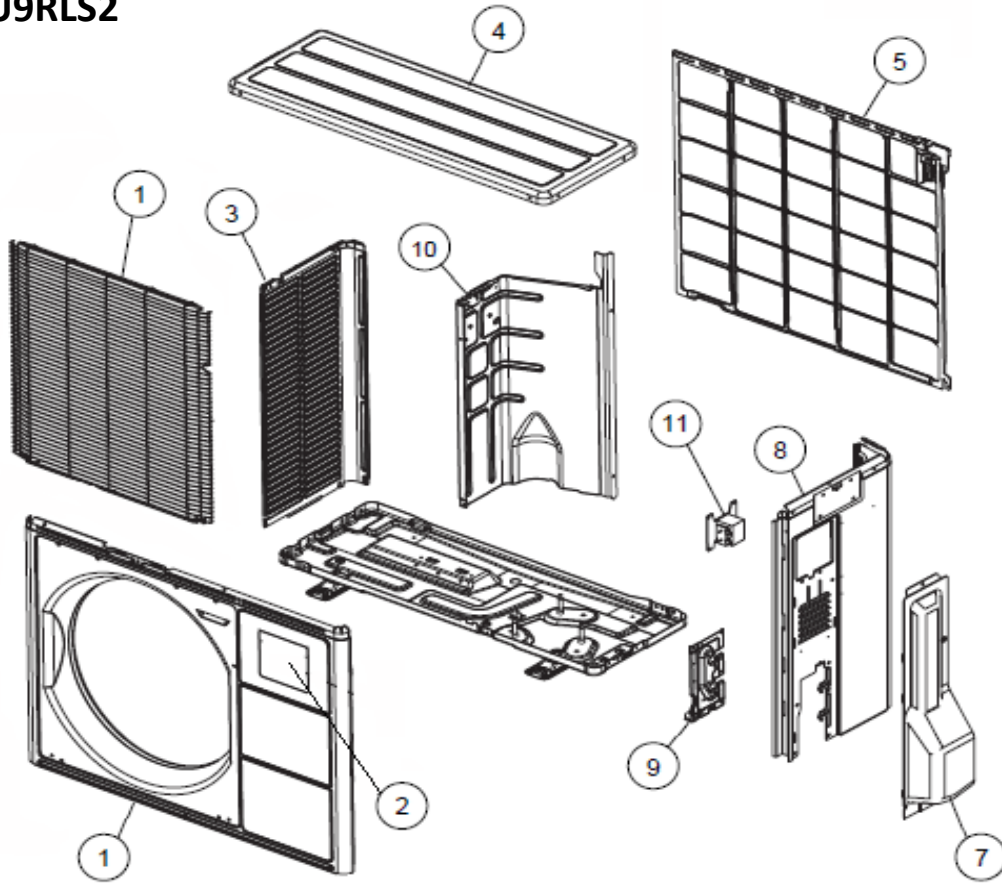
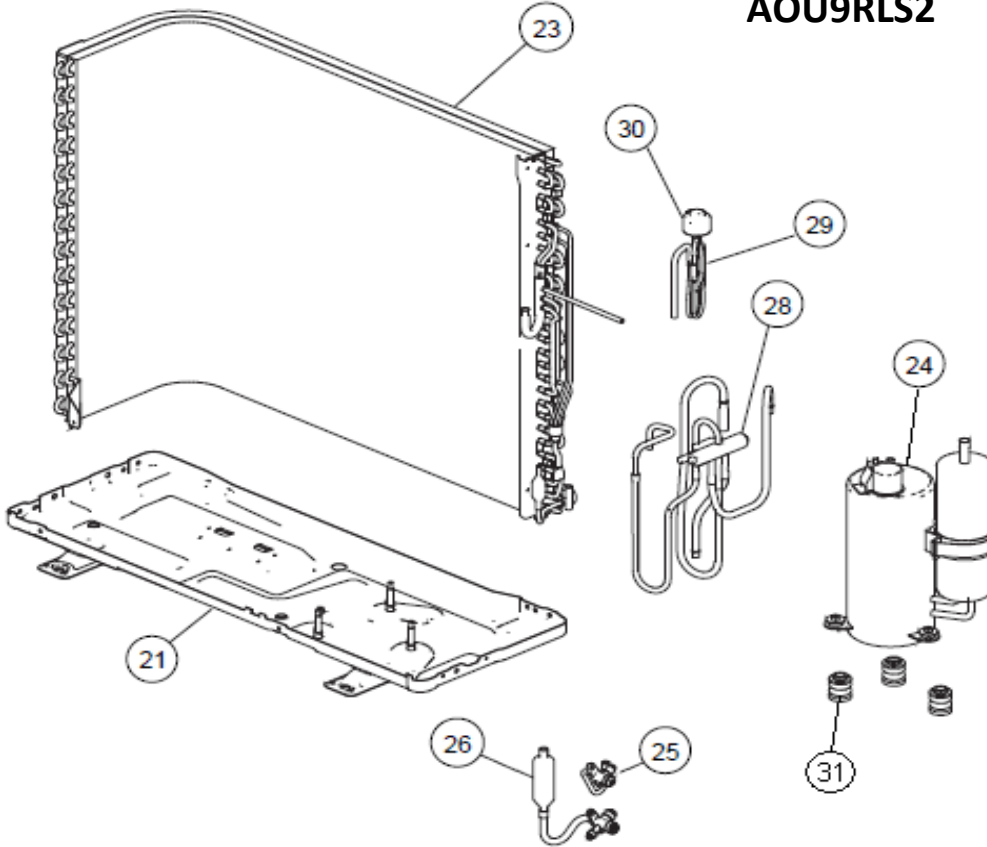


# AOU9RLS2



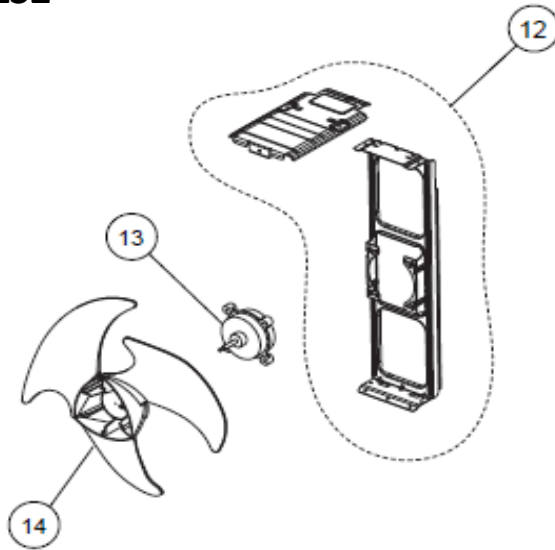
Bubble #	Item #	Description
1	K9318463026	FRONT PANEL ASSY RLS CL1 DW W/GRILL
2	K9317903011	EMBLEM 410i RAC-HFI FUJITSU
3	K9318461015	CABINET LEFT ASSY RLS2 AOYG12LTCN
4	K9318464023	TOP PANEL 15RLS DW PAINTED
5	K9331640008	PROTECTIVE NET RLS DW PP
7	K9317692021	SWITCH COVER RLS CL1 FLAME RETARDANT PP
8	K9316044050	CABINET RIGHT RLS CL1 DW
9	K9331649001	BRACKET VALVE RR2 SGCC-Z-CF-X Z18 T1.2
10	K9331722018	SEPARATOR RLS DW METAL
11	K9900611019	REACTOR ASSY 12RLF 10A 15MH TAB DPC AL
A	K9303029022	DRAIN PIPE L-TYPE 410 ALL# WITH GASKET

## AOU9RLS2



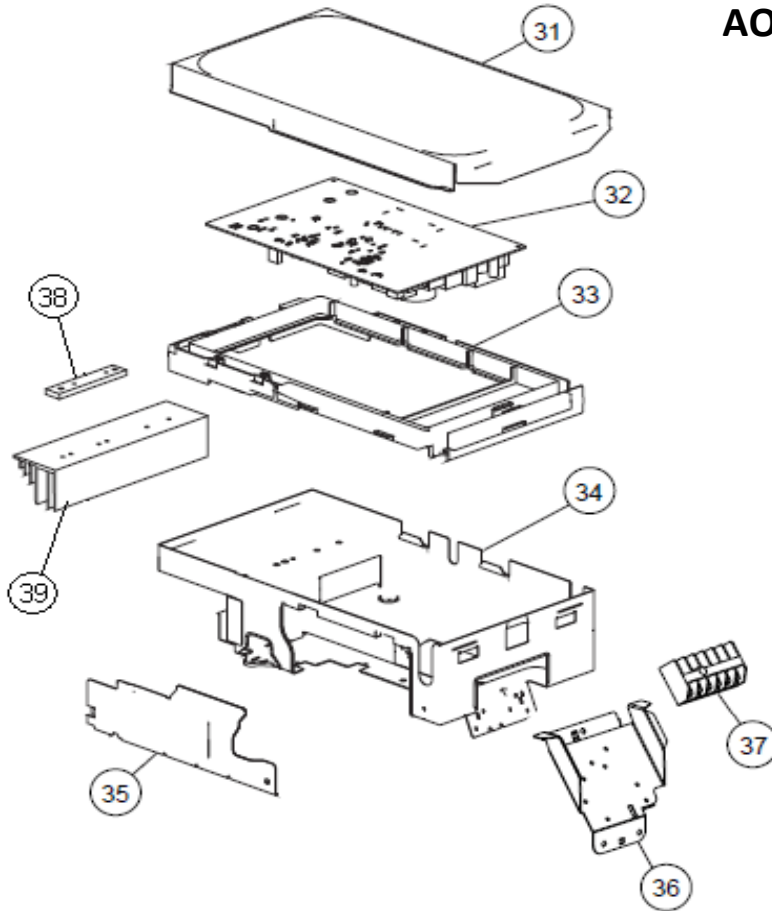
Bubble #	Item #	Description
21	K9316885028	BASE ASSY RAC1+ HFI DW PAINTED
23	K9317089135	CONDENSER TA DW AOU9/12RLS2 AOUG12LTC
24	K9317117005	COMPRESSOR ASSY RLS DW 808-884-80
25	K9332371000	VALVE 2 WAY ASSY 12RLF# DUNAN FJ-424-DG4
26	K9317109000	VALVE 3 WAY ASSY 12RLF# W/MUFFLER AO-E40T
28	K9317110020	VALVE 4 WAY ASSY 9/12RLS2 AOYG12LTCN
29	K9332368000	PULSE MOTOR VALVE ASSY 12RLF#
30	K9970095016	COIL EXPANSION VALVE# CAM-MD12KG-303 L=700
31	K9306410001	CUSHION RUBBER 410i RAC- CR BLACK
A	K9970110047	SOLENOID AOU9/12RLS2 SQ-A2522G-001339-RK L=300

# AOU9RLS2



Bubble #	Item #	Description
12	K9316041011	MOTOR BRACKET RLS CL1 DW AO-Z28S
13	K9602724017	MOTOR DC BRUSHLESS RLS# MFE-71TVAL FGLS DC380V 9P 115W
14	K9313808013	PROPELLER FAN RLS# DW D415 AS-GF

## AOU9RLS2



Bubble #	Item #	Description
31	K9309913011	COVER CASE 410 RAC- VALVE COVER
32	K9708753201	CONTROLLER PCB ASSY AOU9RLS2 K10CT-1107HUE-C1
33	K9313074029	HOLDER PCB 410 RAC-# PLASTIC FRAME BLACK
34	K9315690043	CASE INVERTER RLS METAL V218
35	K9314507014	COVER (TERMINAL) 410i RAC- SGGCC-Z-C-X Z18 T0.4
38	K9314090011	HEAT SINK B HFI- A6063S JIS H4100 SMALL
39	K9314410017	HEAT SINK A HFI-RLS A6063S JIS H4100 LARGE