

AOU36RLAVS
AOU48RLAVS

SPECIFICATIONS MANUAL

OUTDOOR UNIT

Keep this manual for future reference.

MANUEL DES SPÉCIFICATIONS

UNITÉ EXTÉRIEURE

Conservez ce manuel pour référence ultérieure.

MANUAL DE ESPECIFICACIONES

UNIDAD EXTERIOR

Conserve este manual para futura referencia.

English

Français

Español



NAME OF PARTS

Fig. 1

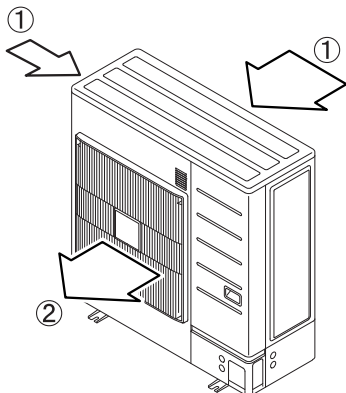


Fig. 1 Outdoor Unit

- ① Intake Port
- ② Outlet Port

Electrical Breaker



Fig. 2

This breaker is installed during the electrical installation.

SPECIFICATIONS

Model name		Outdoor unit	AOU36RLAVS	AOU48RLAVS
Power source		208/230 V, ~, 60 Hz		
Available voltage range		187 to 253 V		
Nominal capacity	Cooling	Btu/h (kW)	36,000 (10.6)	48,000 (14.1)
	Heating		42,000 (12.3)	54,000 (15.8)
Nominal Input power *1	Cooling	kW	2.96	4.89
	Heating		3.20	4.36
Refrigerant (R410A)		lbs (kg)	8.82 (4.0)	
Dimensions & Weight				
	Height	in (mm)	39-5/16 (998)	
	Width	in (mm)	38-3/16 (970)	
	Depth	in (mm)	14-9/16 (370)	
	Weight	lbs (kg)	194 (88)	
Operation temperature range *2				
	Cooling	°FDB	23 to 115 (-5 to 46)	
	Heating	(°CDB)	-4 to 70 (-20 to 21)	

NOTES: Specifications are based on the following conditions.

Cooling: Indoor temperature of 80 °F (26.7 °C) DB / 67 °F (19.4 °C) WB, and outdoor temperature of 95 °F (35.0 °C) DB / 75 °F (23.9 °C) WB .

Heating: Indoor temperature of 70 °F (21.1 °C) DB / 60 °F (15.6 °C) WB, and outdoor temperature of 47 °F (8.3 °C) DB / 43 °F (6.1 °C) WB.

Pipe length: 25 ft (7.5 m)

Height difference between outdoor unit and indoor unit: 0 ft (0 m)

● Acoustic Noise Information: The maximum sound pressure level is less than 70 dB (A) for both indoor and outdoor unit. According to IEC 704-1 and ISO 3744.

● If the air conditioner is operated under higher temperature conditions than those listed, the built-in protection circuit may operate to prevent internal circuit damage.

Also, during cooling and dry modes, if the unit is used under conditions of lower temperatures than those listed above, the heat-exchanger may freeze, leading to water leakage and other damage.

● Do not use this unit for any purposes other than the Cooling, Heating, Dehumidifying, and air-circulation of rooms in ordinary dwellings.

*1:Electrical data is only for outdoor unit.

*2:The protective function might work when using it outside the temperature range.

FUJITSU GENERAL LIMITED
3-3-17, Suenaga, Takatsu-ku, Kawasaki 213-8502, Japan