

SPLIT TYPE
ROOM AIR CONDITIONER
WALL MOUNTED TYPE

SERVICE MANUAL



Indoor unit	Outdoor unit
ASU30CLX1	AOU30CLX1
ASU36CLX1	AOU36CLX1

CONTENTS

SPECIFICATIONS	1
DIMENSIONS	2
REFRIGERANT SYSTEM DIAGRAM	4
CIRCUIT DIAGRAM	5
INDOOR PCB CIRCUIT DIAGRAM	6
OUTDOOR PCB CIRCUIT DIAGRAM	9
ERROR DERECTION	14
PARTS (INDOOR UNIT)	16
PARTS (OUTDOOR UNIT)	20
ACCESSORIES	24

SPECIFICATIONS

ELECTRICAL DATA

TYPE	Cool only inverter	
INDOOR UNIT	ASU30CLX1	ASU36CLX1
OUTDOOR UNIT	AOU30CLX1	AOU36CLX1
COOLING CAPACITY	30,800 BTU/h 9.00 kW	33,000 BTU/h 9.70 kW
POWER SOURCE	208 V / 230 V	
FREQUENCY	60 Hz	
RUNNING CURRENT	14.2 A	17.0 A
INPUT WATTS	3.24 kW	3.88 kW
E.E.R.	9.5 BTU/kW 2.78 kW/kW	8.5 BTU/kW 2.50 kW/kW
MOISTURE REMOVAL	9.7 Pt/h 4.6 L/hr	10.1 Pt/h 4.8 L/hr
AIR CIRCULATION HIGH	659 cfm 1,120 m ³ /hr	694 cfm 1,180 m ³ /hr
MAXIMUM CURRENT	17.0 A	18.0 A

FAN MOTOR

POWER SOURCE	230 V		230 V	
INDOOR UNIT	High	1,480 r.p.m.	1,560 r.p.m.	
	Medium	1,220 r.p.m.	1,220 r.p.m.	
	Low	1,020 r.p.m.	1,020 r.p.m.	
	Quiet	900 r.p.m.	900 r.p.m.	
OUTDOOR UNIT	850 r.p.m.		850 r.p.m.	

NOISE LEVEL

INDOOR UNIT	High	49 dB	50 dB
	Medium	42 dB	42 dB
	Low	37 dB	37 dB
	Quiet	33 dB	33 dB
OUTDOOR UNIT	54 dB		54 dB

COMPRESSOR AND REFRIGERANT

TYPE	Hermetic type, 6 pole, DC inverter motor, Rotary	
DISCRIMINATION	N-TF30ND1A	
WEIGHT WITH OIL	34.2 lb 15.5 kg	
PRECHARGED REFRIGERANT	4 lb 10 oz 2,100 g	
REFRIGERANT TYPE	R410A	
FULL CHARGE	Pipe length 66 ft 20 m	4 lb 10 oz 2,100 g
	164 ft 50 m	7 lb 4 oz 3,300 g
ADDITIONAL CHARGE	0.43 oz/ft 40 g/m	
MAXIMUM HEIGHT	99 ft 30 m	

DIMENSIONS

INDOOR UNIT	H x W x D	12-5/8 x 39-1/4 x 9 inch	320 x 998 x 228 mm
OUTDOOR UNIT	H x W x D	32-3/4 x 35-3/8 x 13 inch	830 x 900 x 330 mm

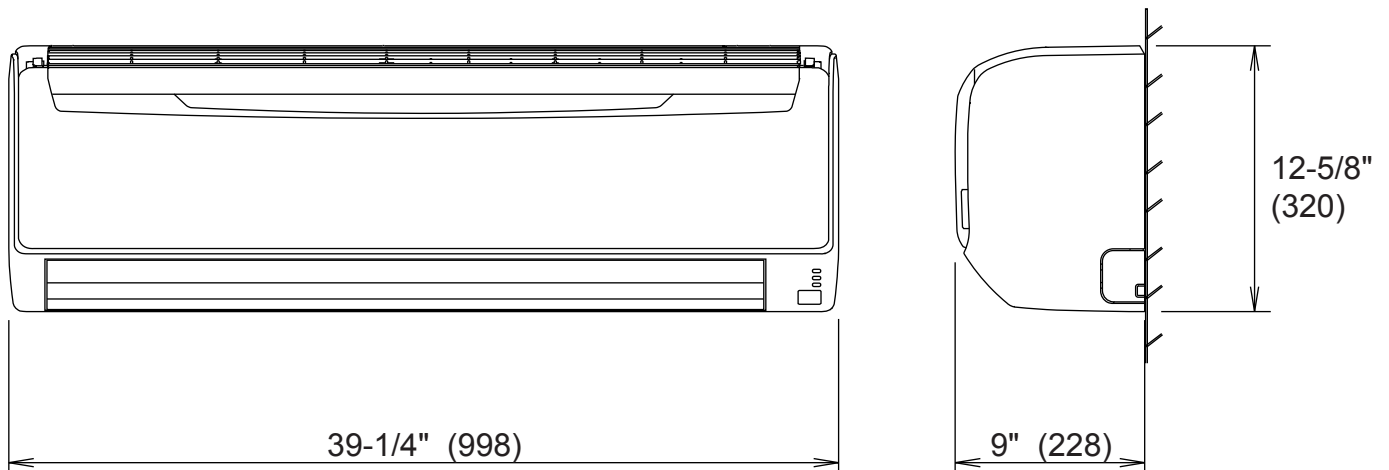
WEIGHT

INDOOR UNIT	Shipping / Net	40 lbs / 31 lbs	18 kg / 14 kg
OUTDOOR UNIT	Shipping / Net	150 lbs / 135 lbs	68 kg / 61 kg

DIMENSIONS

INDOOR UNIT

Unit : inch (mm)



Drain pipe diameter

Inside : 5/8 inch (16 mm)

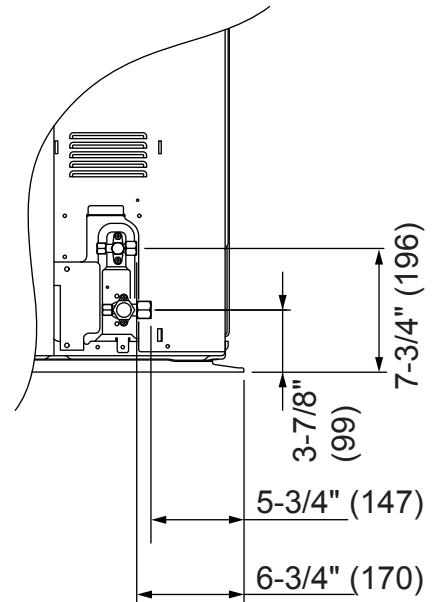
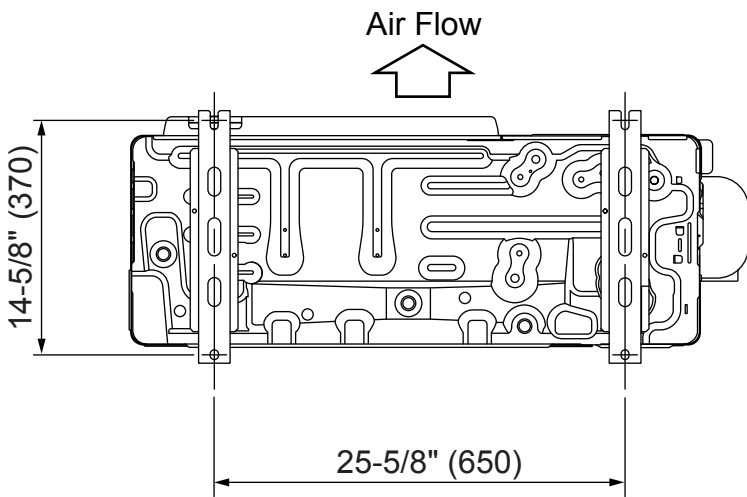
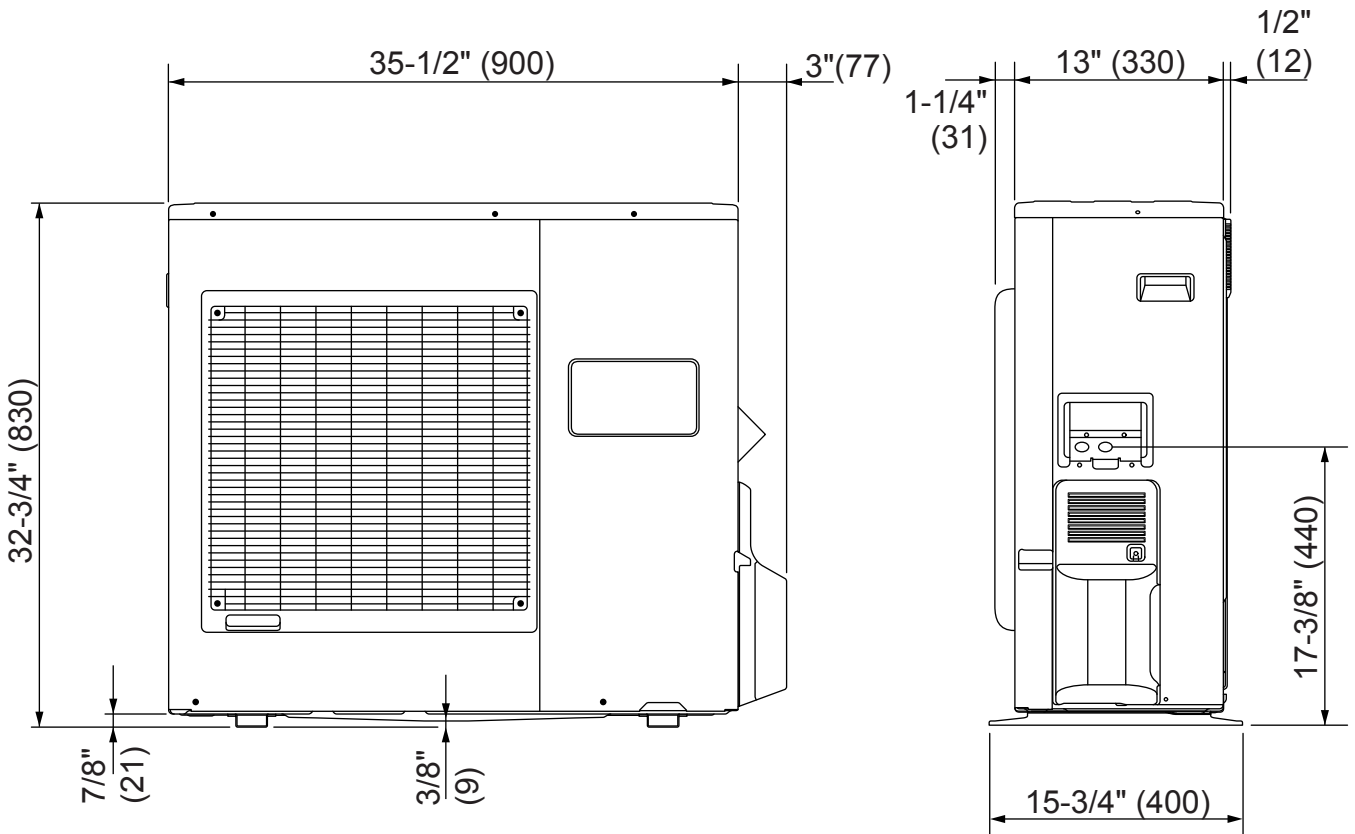
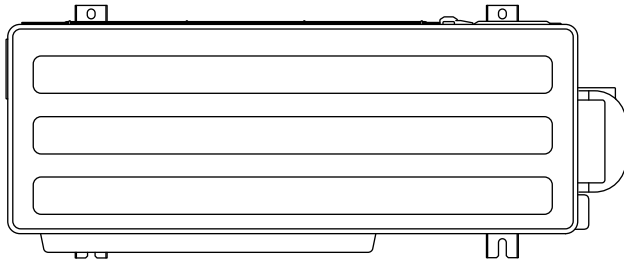
Outside : 1-3/32 inch (28 mm)

Liquid pipe diameter : 3/8 inch (9.52 mm)

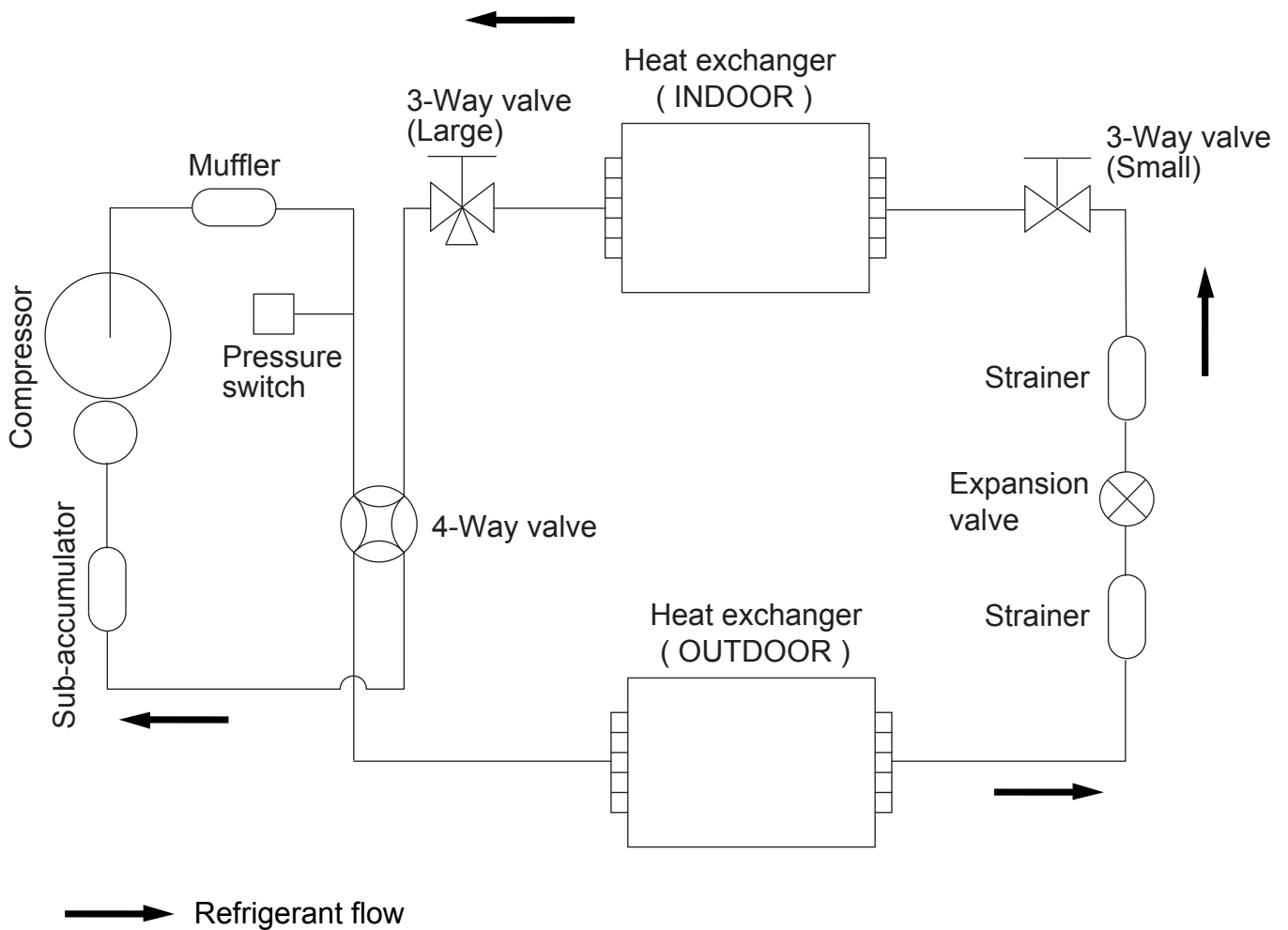
Gas pipe diameter : 5/8 inch (15.88 mm)

OUTDOOR UNIT

Unit : inch (mm)



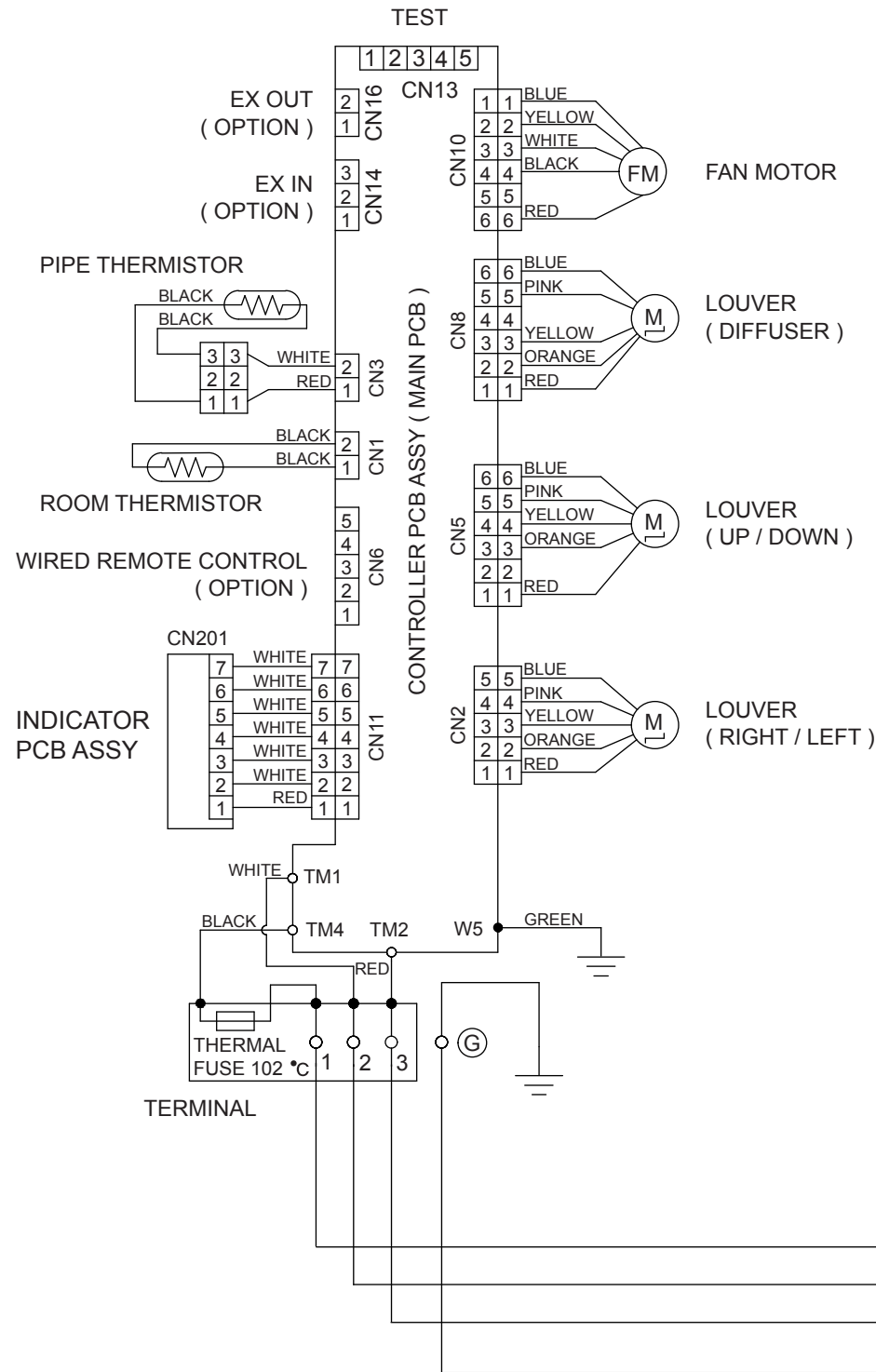
REFRIGERANT SYSTEM DIAGRAM



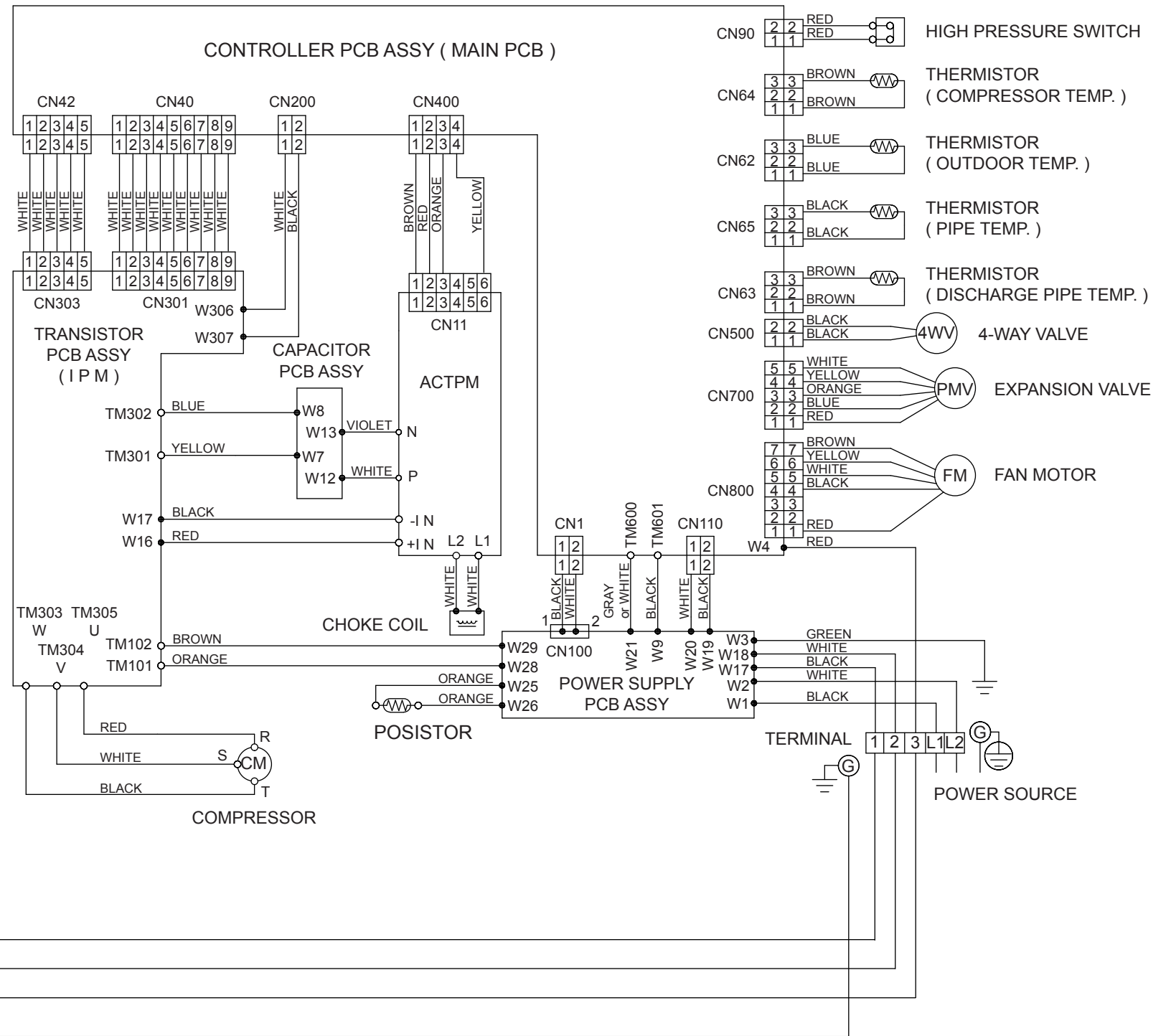
Refrigerant pipe diameter
 Liquid : 3/8" (9.52 mm)
 Gas : 5/8" (15.88 mm)

CIRCUIT DIAGRAM

INDOOR UNIT



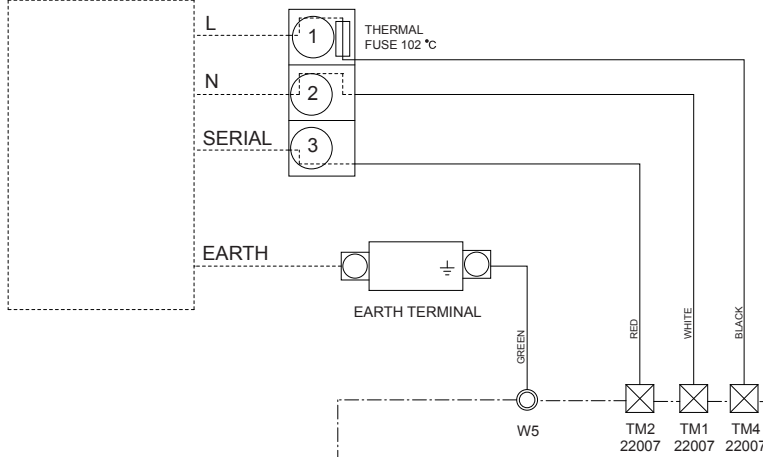
OUTDOOR UNIT



INDOOR PCB CIRCUIT DIAGRAM

OUTDOOR UNIT

TERMINAL BOARD

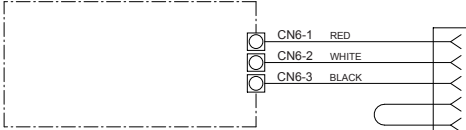


CONTROL UNIT

ASU30CLX1 : EZ-0109WSE
 ASU36CLX1 : EZ-010AWSE

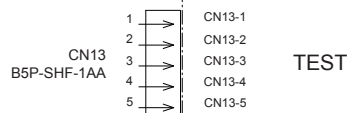
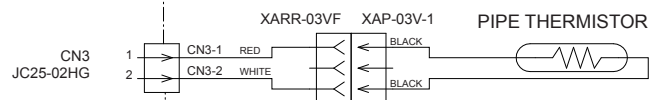
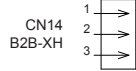
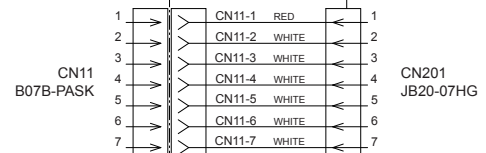
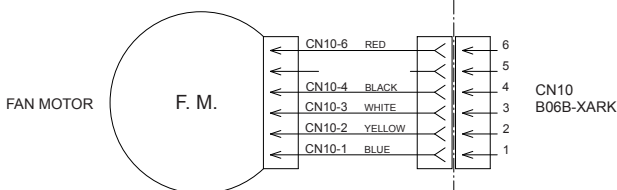
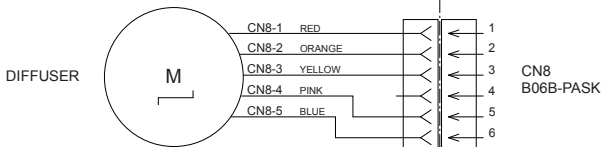
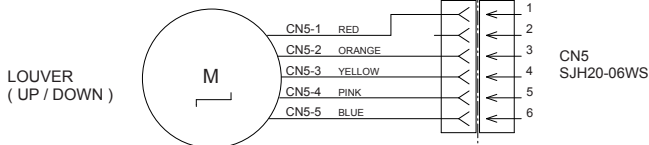
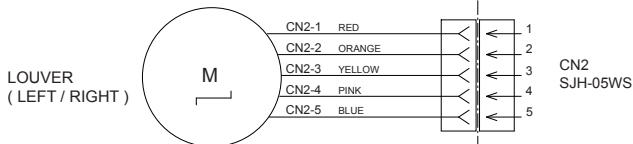
INDICATOR PCB ASSEMBLY K05CY-0500HSE-D0

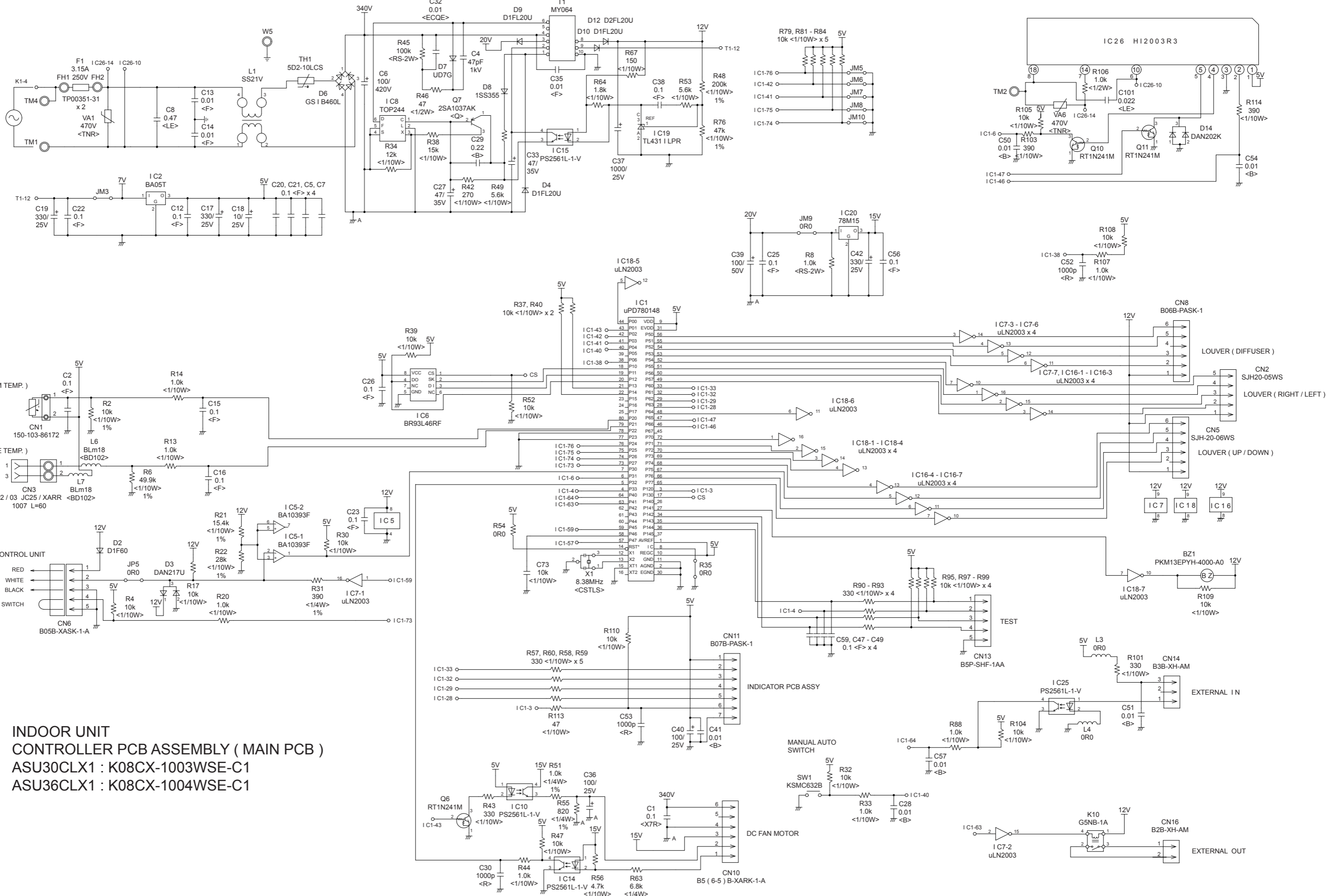
WIRED REMOTE CONTROL (OPTION)



CONTROLLER PCB ASSEMBLY (MAIN PCB)

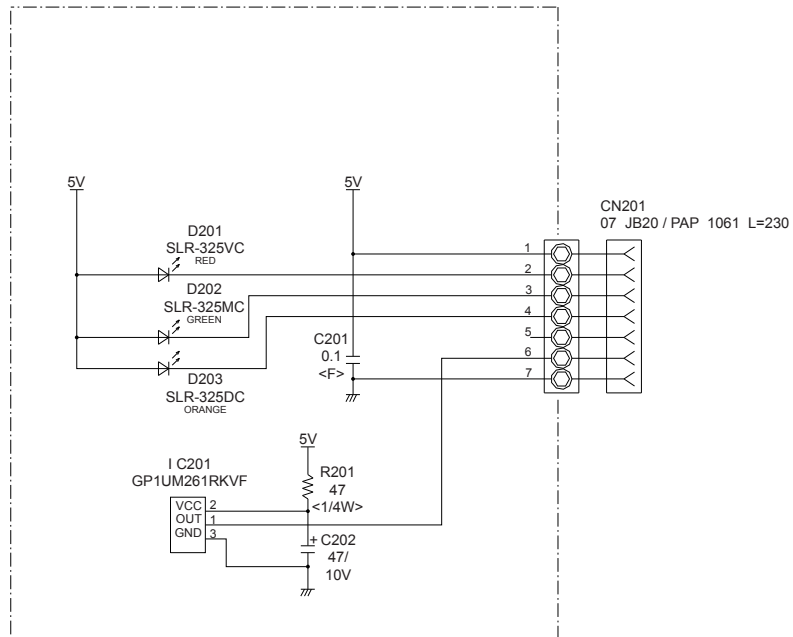
MW30C3G : K08CX-1003WSE-C1
 MW36C3G : K08CX-1004WSE-C1





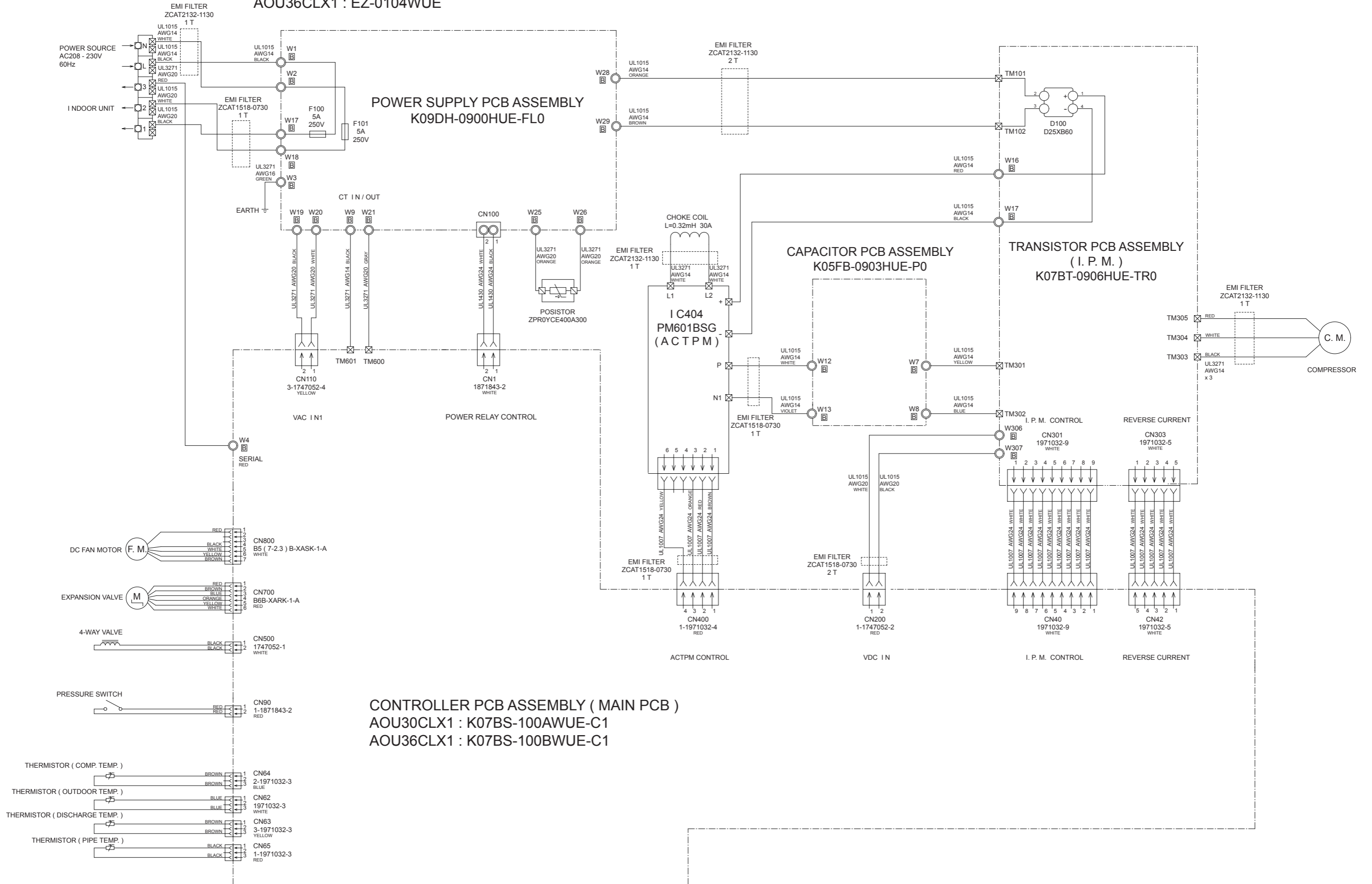
INDOOR UNIT
CONTROLLER PCB ASSEMBLY (MAIN PCB)
 ASU30CLX1 : K08CX-1003WSE-C1
 ASU36CLX1 : K08CX-1004WSE-C1

INDOOR UNIT
 INDICATOR PCB ASSEMBLY
 K05CY-0500HSE-D0

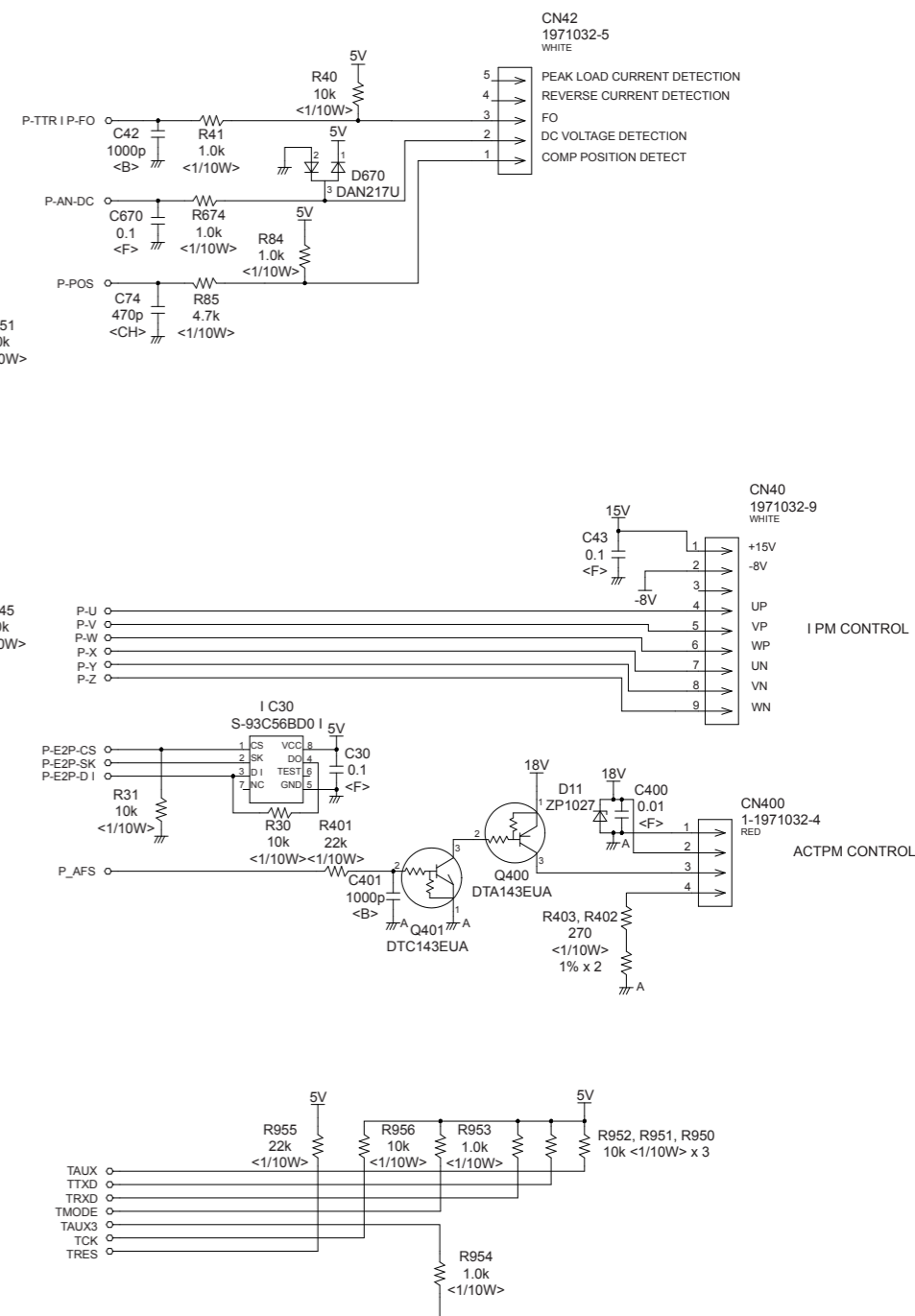
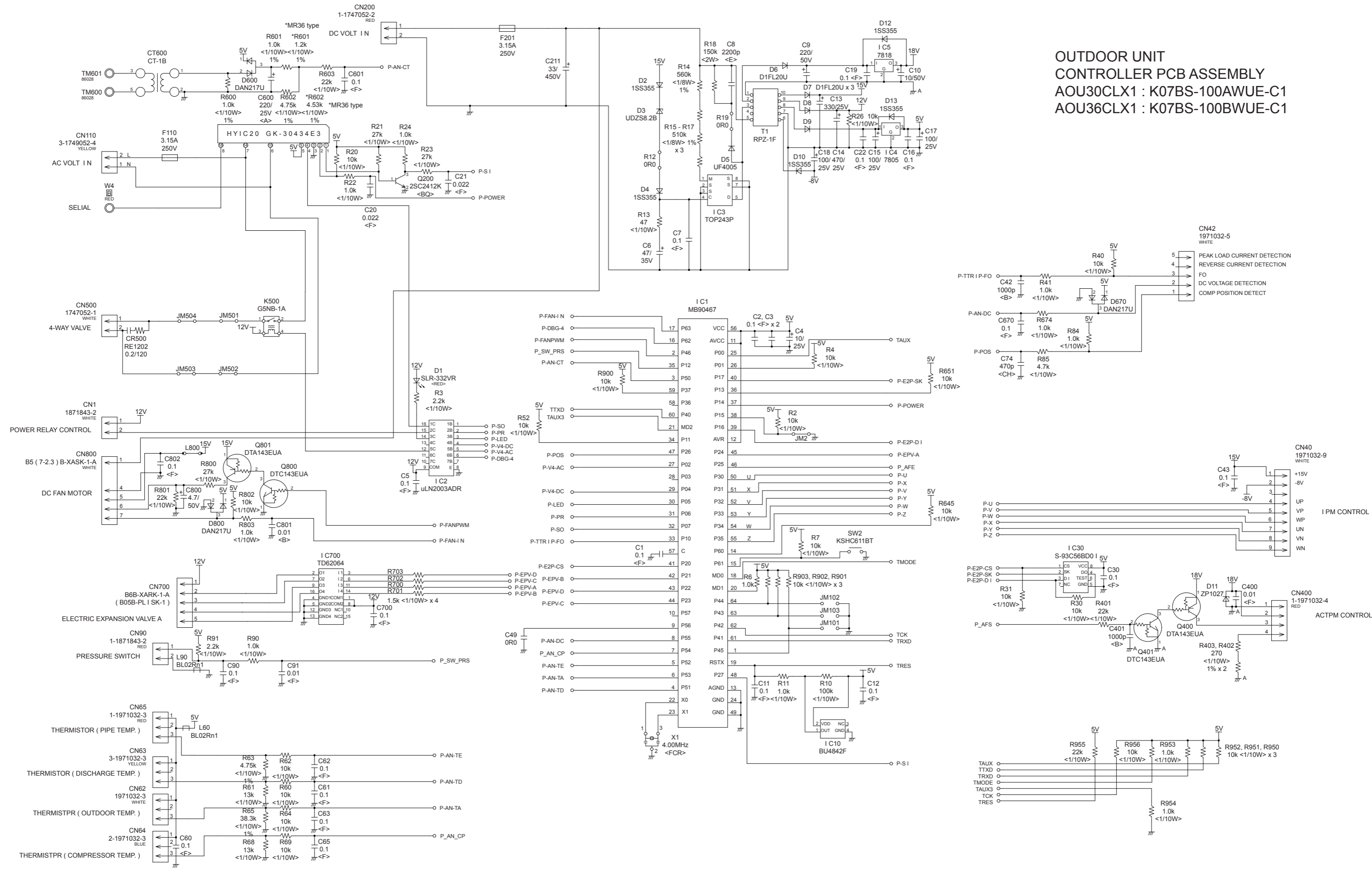


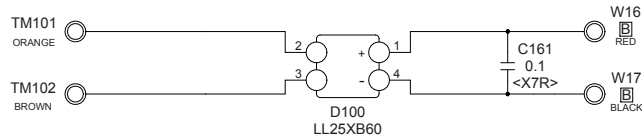
OUTDOOR PCB CIRCUIT DIAGRAM

INVERTER ASSEMBLY
 AOU30CLX1 : EZ-0103WUE
 AOU36CLX1 : EZ-0104WUE

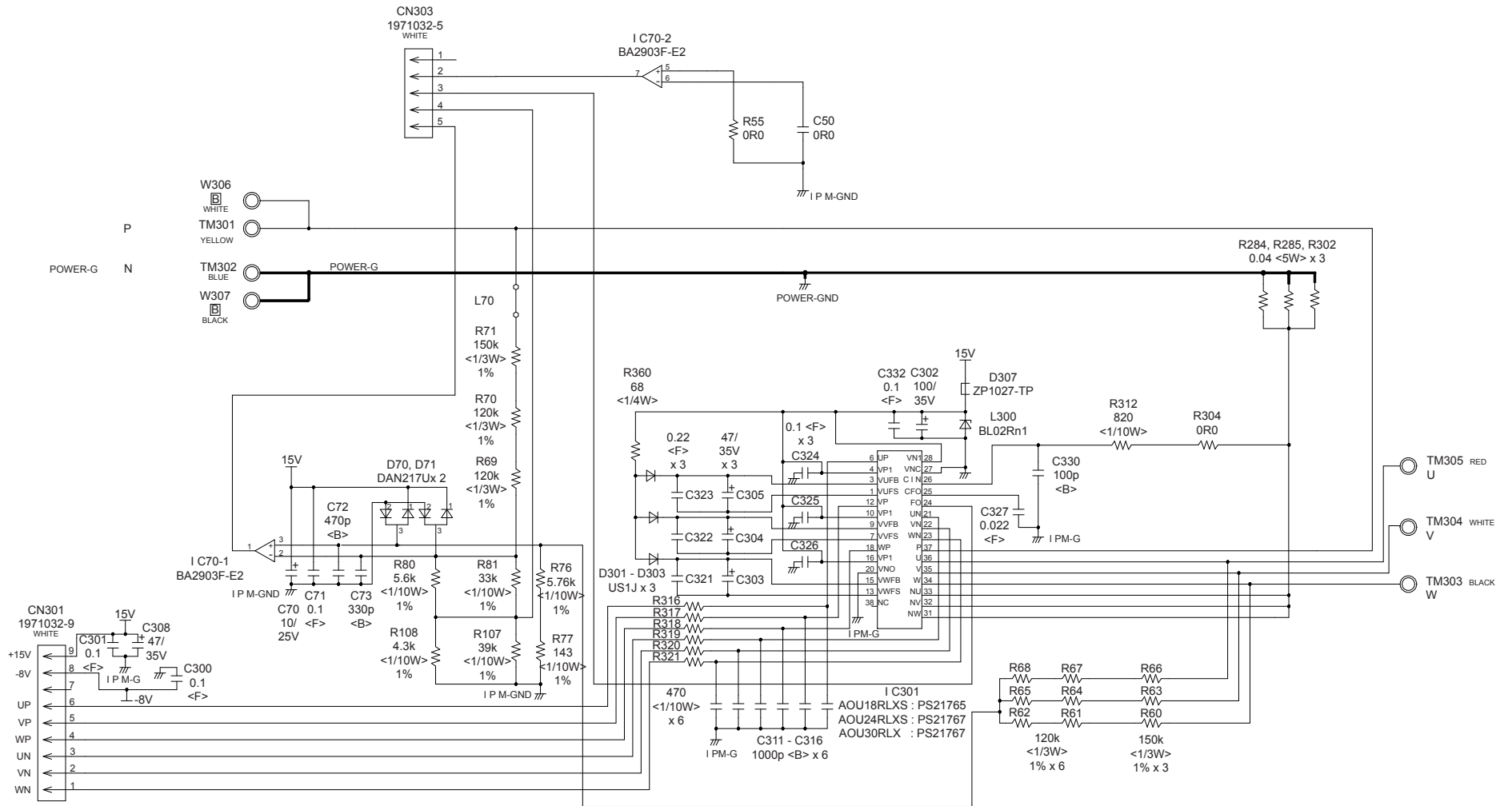


**OUTDOOR UNIT
CONTROLLER PCB ASSEMBLY**
 AOU30CLX1 : K07BS-100AWUE-C1
 AOU36CLX1 : K07BS-100BWUE-C1

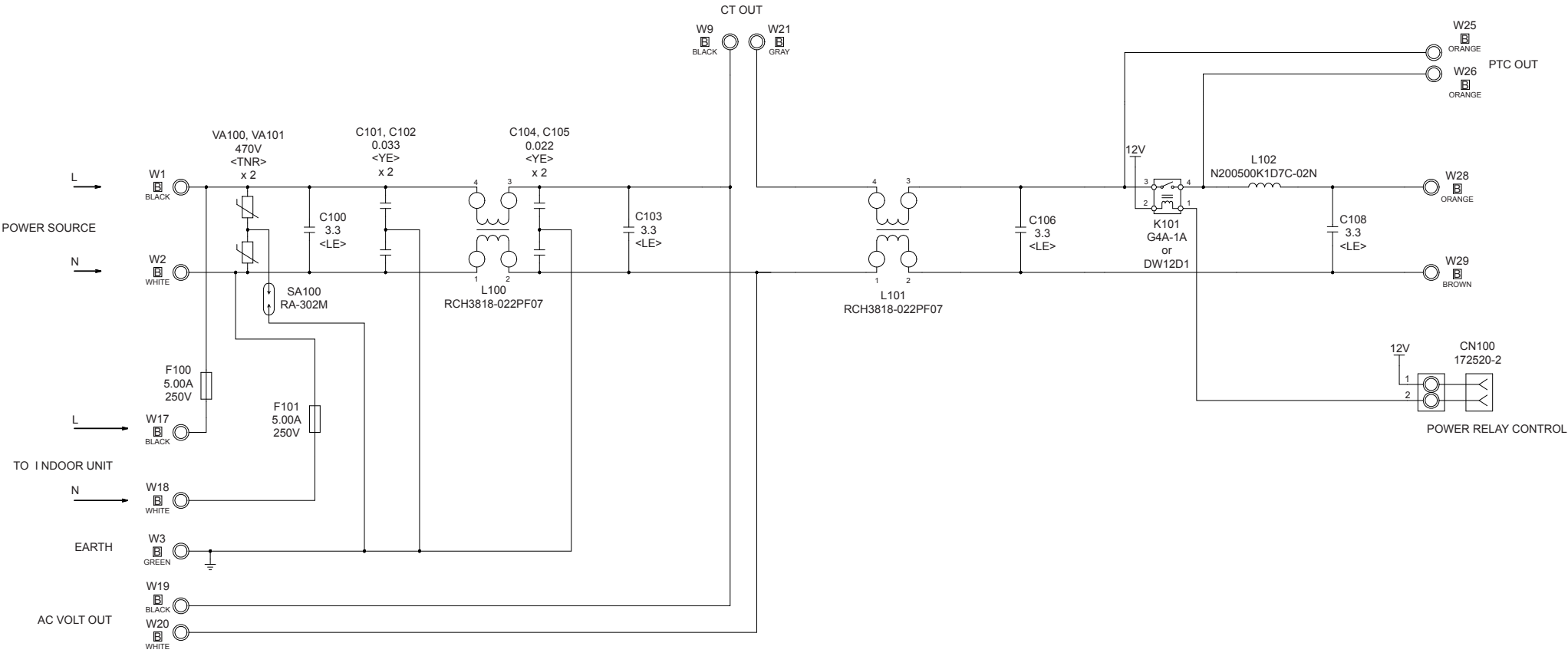




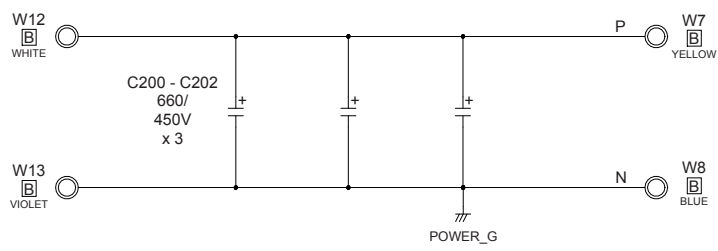
OUTDOOR UNIT TRANSISTOR PCB ASSEMBLY (I P M PCB) K07BT-0906HUE-TR0



OUTDOOR UNIT POWER SUPPLY PCB ASSEMBLY K09DH-0900HUE-FLO



OUTDOOR UNIT
CAPACITOR PCB ASSEMBLY
K05FB-0903HUE-P0



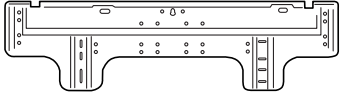

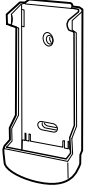

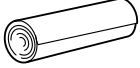


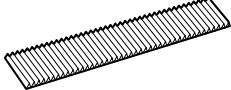
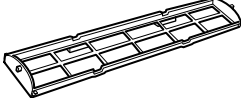
ERROR DETECTION

Error	Display		Error
	Operation LED	Timer LED	
Serial signal error	Normal	2 flash	Serial signal (reverse) error, at operation start up
		3 flash	Serial signal (reverse) error, during operation
		4 flash	Serial signal (forward) error, at operation start up
		5 flash	Serial signal (forward) error, during operation
		8 flash	Wired remote controller error
Indoor unit thermistor error	2 flash	2 flash	Indoor temperature thermistor open / short
		3 flash	Heat exchanger middle thermistor open / short
Outdoor unit thermistor error	3 flash	2 flash	Discharge thermistor open / short
		3 flash	Heat exchanger thermistor open
		4 flash	Outdoor temperature thermistor open / short
		8 flash	Compressor temperature thermistor open / short
Indoor unit control error	4 flash	2 flash	Forced automatic SW welded
		3 flash	Main relay welded
		4 flash	Power interruption error
		7 flash	VDD permanent stop protection
		8 flash	reverse VDD permanent stop protection
Outdoor unit control error	5 flash	2 flash	Current trip error
		3 flash	CT abnormal
		5 flash	Compressor location detection error
		6 flash	Outdoor unit fan drive system abnormal
Indoor fan motor error	6 flash	2 flash	Abnormal lock
		3 flash	Abnormal rotation
Refrigerant cycle error	7 flash	2 flash	Discharge Temperature abnormal
		3 flash	Cooling high pressure abnormal rise
		5 flash	Pressure switch trouble
Optional function error	8 flash	2 flash	Active filter voltage trouble (second time)
		3 flash	Active filter voltage trouble (first time)
		4 flash	PFC circuit error
Model information error	0.1 sec on/off	0.1 sec on/off	Model information error

OUTDOOR UNIT

LED	ERROR
on	Discharge temperature abnormal
0.5 second on / 0.5 second off	IPM overcurrent protection
0.1 second on / 0.1 second off	Thermistor abnormal
2.0 second on / 2.0 second off	CT abnormal
0.1 second on / 2.0 second off	Compressor location abnormal
5.0 second on / 5.0 second off	Fan abnormal

ACCESSORIES

Name and Shape	Part number
Wall hook bracket 	9315023018
Remote control 	9315027160
Remote control holder 	9305642045
Battery (penlight) 	0600185534
Cloth tape 	9310519004
Tapping screw (big) 	0700076046
Tapping screw (small) 	0700019036
Air cleaning filter 	9312153060 9311925071
Air cleaning filter frame 	9368568009

1010G3837