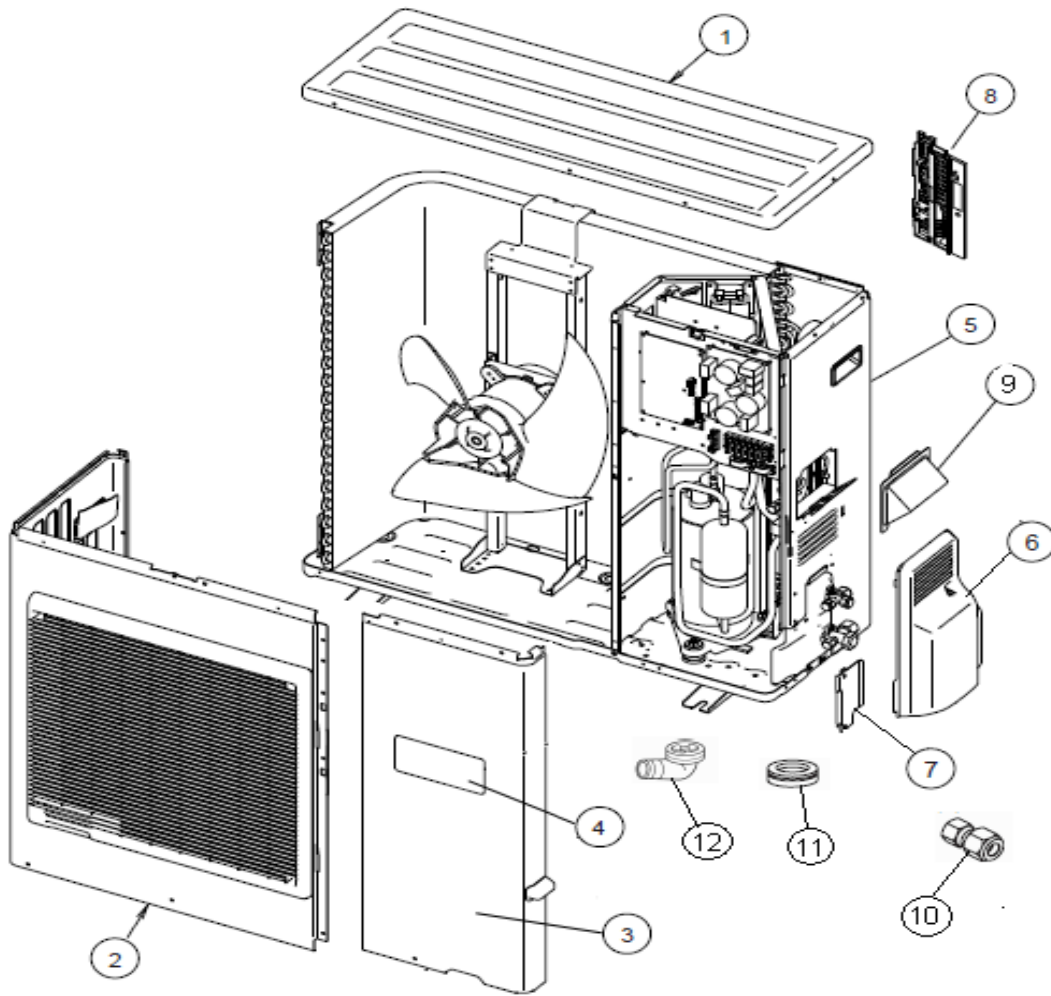
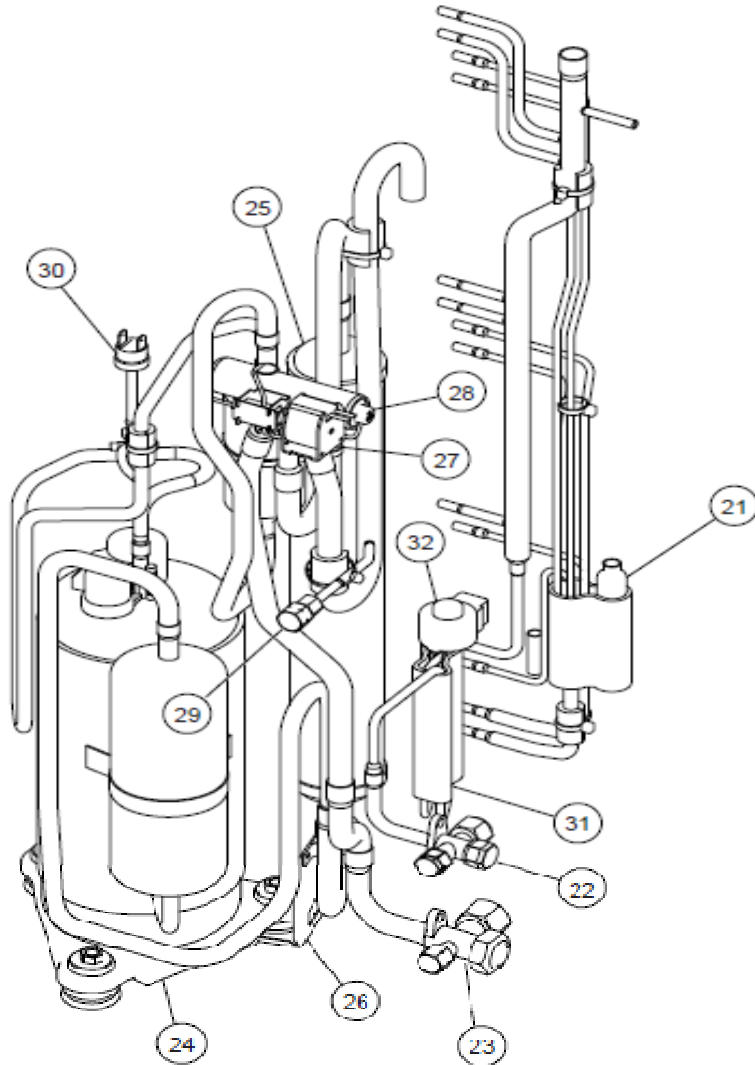


AOU24RLXFW - CABINETRY



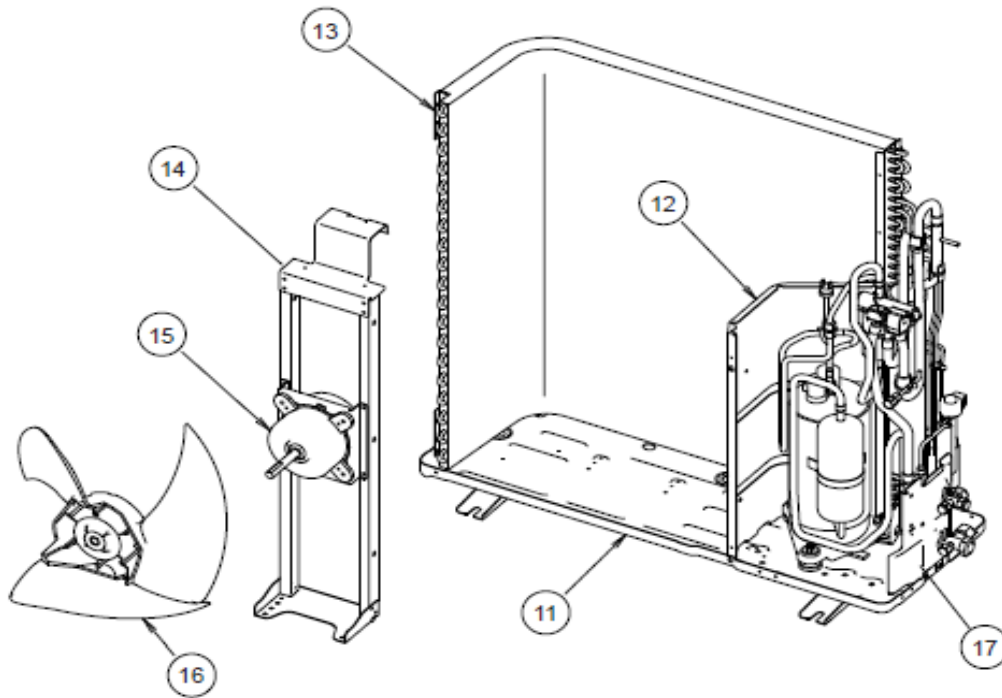
Bubble #	Part #	Description
1	K9374417032	TOP PANEL RLXS/LFW DW PAINTED
2	K9374414079	FRONT PANEL RLXS DW SASB86
3	K9374415052	SERVICE PANEL RAC+RLXS DW SAR521
4	K9351355005	EMBLEM REAR RPAC/RLXS 'FUJITSU'
5	K9374095148	RIGHT PANEL M PTD RAC+LXS DW Replaces: K9374416134
6	K9374174010	VALVE COVER RAC+RLXS PLASTIC BEIGE PP(1YR05)
7	K9375117016	COVER PLATE RAC+RLXS
8	K9375211011	THERMO HOLDER RPAC HFI# PP BEIGE
9	K9374172016	GRIP 410 PAC+ PP 1YR05 BEIGE
10	K9374749027	ADAPTER F ASSY UTP HFI 1/2' to 5/8' WITH 5/8' NUT
11	K313166024302	DRAIN CAP RPAC+HFI# RUBBER
12	K9303029022	DRAIN PIPE L-TYPE 410 ALL# WITH GASKET Replaces: K9301102000,K9303029015
A	K9375381011	PROTECTION NET RPAC+ DW R521 SWM-B

AOU24RLXFW - COMPRESSOR & EEV



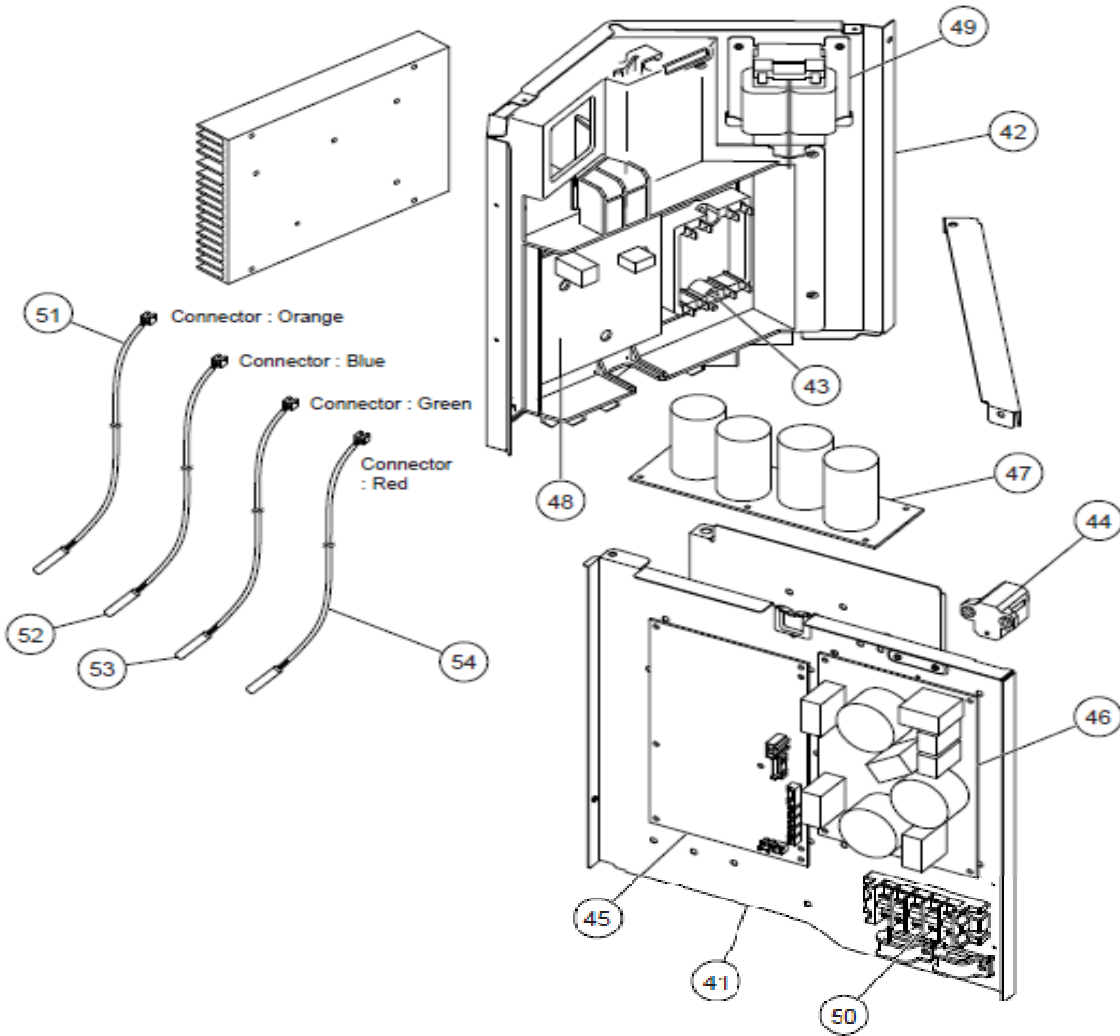
Bubble #	Part #	Description
21	K9372524015	STRAINER RAC+RLXS# C1220TS-H OD19.05 T1.0
22	K9377958013	VALVE 3 WAY RAC+RLXS/FW# 3/8' LIQUID NB29 FJ-189-DG8
23	K9377959010	VALVE 3 WAY RLXS/FW# 5/8' W/CAPS NB29 FJ-303-DG13
24	K9810135001	COMPRESSOR RLXFW N-TF30ND1A
25	K9385005006	ACCUMULATOR 410RAC+RLXS BRACKET ACCUMULATOR 30/36CLX1# METAL Replaces: K313986353804
26	K9355351003	
27	K9970055034	SOLENOID RAC RLXFW-S SQ-1083 L420
28	K9374425198	VALVE 4 WAY ASSY 18/24FW# DW W/PIPES 22'x12'x10'
29	K9372802038	CHECK VALVE JOINT ASSY RLXS TCJ-2GKGT-3
30	K9900186012	PRESSURE SW A (1) Hi RPAC+XLS ACB-4TB12 EXPANSION VALVE ASSY 410 RAC+ BRAZING Replaces: K9370947144
31	K9370947168	COIL EXPANSION VALVE# CAM-MD12KG-303 L=700 Replaces: K9970095016
32	K9970095016	

AOU24RLXFW - CONDENSER & MOTOR



Bubble #	Part #	Description
11	K9374166206	BASE ASSY 410 RAC+RLXS 1YR05 MCM-K
12	K9374413188	SEPARATE WALL 410iRAC RLXS SB86
13	K9374433056	CONDENSER A ASSY 410i RAC+RLXS
14	K9374418152	MOTOR BRACKET RAC RLXS
15	K9602843015	MOTOR DC BRUSHLESS RLXS HFI# MFE-60TVT FGA DC380V 100W 8P
16	K9366378020	PROPELLER FAN HFI# DW 440-L2BID 12
17	K9374099030	VALVE PLATE R547 RAC+RLXS SGCC-Z-CF-X Z22 T1.2

AOU24RLXFW - ELECTRICAL



Bubble #	Part #	Description
41	K9375316020	CASE RAC+LXS METAL
42	K9375314019	CASE INVERTER RLX* METAL SGCC-Z-CF-X Z22 TP/7
43	K9707592016	ACTPM RLX*/CLX1 PM-601BSG 100/LOT
44	K9704265012	POSISTOR PTC THERMISTOR R410# ZPRO YCE400A 300 RLXS
45	K9707667578	CONTROLLER PCB AOU24RLXFW# K07BS-100YHUE-C1
46	K9708510088	POWER SUPPLY PCB AOU24RLXFW K09DH-1002HUE-FLO
47	K9707257076	CAPACITOR PCB RAC+RLXS# K05FB-0903HUE-P0
48	K9707669121	IPM PCB (TR) RAC RLX*/CLX1# K07BT-0906HUE-TRO
49	K9900223014	COIL CHOKE RLX*/CLX1 30A0.32MH
50	K9900203023	TERMINAL 5P RAC+RLXS# HP-T3061-3-5P
51	K9900461003	DISCHARGE THERMISTOR RAC RLXFW PTM-51G-F3-*
52	K9900463007	THERMISTOR OUT TEMP RLXFW-S KTEC-41-*
53	K9900466015	THERMISTOR (COMP) RAC RLXFW PTM-51G-F7-2
54	K9900514013	THERMISTOR HEAT EXCH RAC+RLFW PTM-41F-F12-1
WIRE ACTPM	K9708549019	WIRE W/CONNECTOR ACTPM 06/04 PH/GIC 1430 L=280