

**Submission Data: 12RLS3
Inverter Driven Heat Pump**

12,000 BTU Wall Mount

Job Name: _____
 Location: _____
 Engineer: _____
 Submitted to: _____
 Submitted by: _____
 Reference: _____

Date: _____
 Approval: _____
 Construction: _____
 Unit #: _____
 Drawing #: _____

General Features

- Wired or wireless remote
- Energy saving program
- High performance heating
- Sleep timer
- 24-hour timer
- Weekly timer
- Dry mode
- Powerful mode
- Standard Warranty: 5 years parts, 7 years compressor. Applies to systems purchased before June 1st 2015*
- Extended Warranty: 10 years parts, 10 years compressor. Systems that have been installed on or after June 1st 2015 by licensed contractors and the online Product Registration has been submitted.**
- Elite Contractor Extended Warranty: 12 years parts, 12 years compressor. Systems that have been installed on or after June 1st 2015 by contractors who have met requirements and have been approved for elite contractor status plus, the online Product Registration has been submitted.***

Model Information

Condenser..... AOU12RLS3
 Evaporator..... ASU12RLS3

Electrical..... 208/230V AC 1ph-60Hz
 Available Voltage Range..... 208/230 +/- 10%
 Minimum Circuit Ampacity..... 13.4 A
 Max Fuse Size..... 15 A
 Max Starting Current..... 4.7 A

Input Power

Cooling..... 0.79 kW
 Heating..... 1.01 kW

Running Current

Cooling..... 3.8 A
 Heating..... 4.7 A

Capacity

Nominal Cooling..... 12,000 Btu
 Min-Max Cooling..... 3,100-13,600 Btu
 Nominal Heating..... 16,000 Btu
 Min-Max Heating..... 3,100-22,000 Btu

Compressor

Motor Output..... Rotary (inv x1) 850 W
 Refrigerant..... R410a
 Charge..... 2 lbs. 14 oz
 Oil..... FREOL a68SZ

Fan Motor

(Condenser) Type: DC Propeller x1
 (Condenser) Motor Output..... 49 W
 (Evaporator) Type: DC..... Cross flow fan x1
 (Evaporator) Motor Output..... 61 W

Heat Exchanger {Condenser (C) Evaporator (E)}

Dimensions (H x W x D)
 Condenser..... 23-1/8 x 34-11/16 x 1-7/16 in. (588x881x36.4 mm)
 Evaporator..... Main 15-1/8 x 28-3/8 x 1-3/16 in. (384x720x30) Sub 3-5/16 x 28-3/8 x 1/2 in. (84x720x13.3 mm) 4-15/16 x 28-3/8 x 1/2 in. (126x720x13.3 mm)
 Fin Pitch..... 20 FPI (C) Main 21 FPI Sub 18 FPI (E)
 Rows x Stages..... 2 x 28 (C) Main 3 x 24 Sub 1 x 10 (E)
 Pipe Type (Material)..... Copper (C) Copper (E)
 Fin Type (Material)..... Aluminum (C) Aluminum (E)

Note: Specifications are based on the following conditions:
 Cooling: Indoor temperature of 80°F (26.7°C) DB/67°F (19.44°C) WB, and outdoor temperature of 95°F (35°C) DB/75°F (23.9°C) WB.
 Heating: Indoor temperature of 70°F (21.1°C) DB/59°F (15°C) WB, and outdoor temperature of 47°F (8.33°C) DB/43°F (6.11°C) WB.
 Pipe length: 24ft. Tin. (7.5m), Height difference: 0ft. (0m) (Outdoor unit - indoor unit)
 (*Standard warranty / **10 year warranty / ***12 year warranty)



Operation Temperature Range

Cooling..... 14°F (-10°C) to 115°F (46°C)
 Heating..... -5°F (-21°C) to 75°F (24°C)

Efficiency

SEER..... 29.3
 EER (cooling)..... 4.46 kW/kW
 COP (heating)..... 4.64 kW/kW
 HSPF (heating)..... 14.0 Btu/hW

Enclosure

Condenser
 Material..... Painted galvanized steel
 Color..... Beige (10 YR 7.5/1.0 NN)
 Evaporator
 Material..... Polystyrene
 Color..... White (Approximate color of Munsell 5PB 9.25/0.5)

Sound Pressure Level

Condenser..... 47 dB (A)
 Evaporator..... 42 dB (A)

Dimensions (H x W x D)

Condenser in. (mm)..... 24-1/2 (620) x 31-1/8 (790) x 11-7/16 (290)
 Evaporator in. (mm)..... 11-5/8 (295) x 37 (940) x 10-5/8 (270)

Connection Pipe

Liquid..... 1/4" / 6.35 mm Flare
 Gas..... 3/8" / 9.52 mm Flare
 Method (Liquid/Gas)..... Brazing
 Max Length (Pre-charge)..... 65 ft. (20 m) / (49 ft. {15 m})
 Max Height Difference..... 49 ft. (15 m)
 Drain Hose
 In. (mm)..... Ø 9/16 (Ø13.8) (I.D.) Ø5/8 to Ø11/16 (Ø15.8 to Ø16.7) (O.D.)

Weight

Condenser..... 84 lbs. (38 kg)
 Evaporator..... 31 lbs. (14 kg)

Accessories

UTY-RNNUM^..... Wired remote control
 UTY-RVNUM^..... Wired remote control (backlit, shows room temp.)
 UTY-RSNUM^..... Wired remote control (simple)
 UTY-XWZZZ5..... Dry contract kit
 UTY-TWBXF1..... Interface kit

Intertek®ETL Number

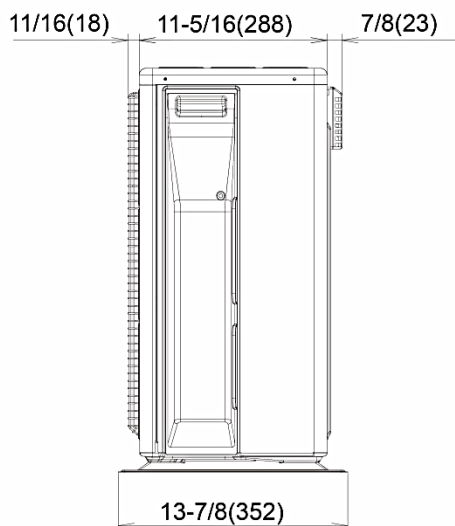
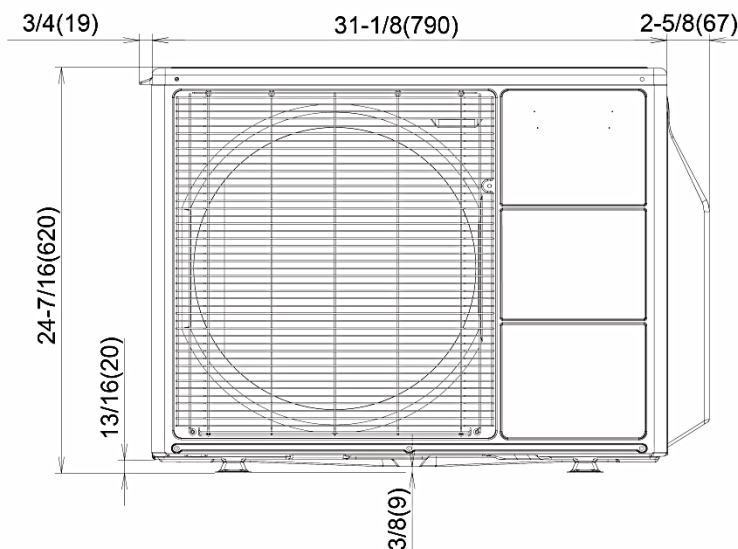
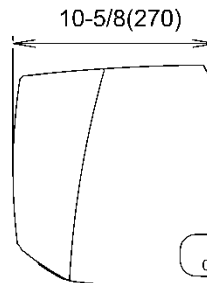
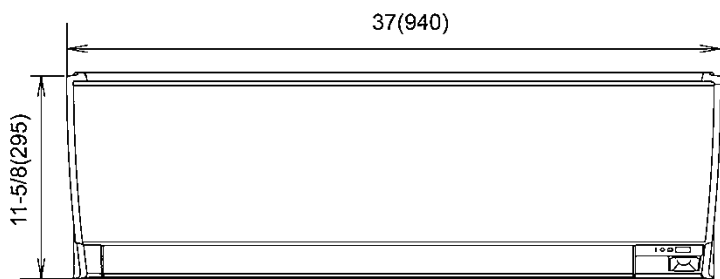
AOU12RLS3..... 91986
 ASU12RLS3..... 91986

^1 Requires interface kit # UTY-TWBXF1 in order to connect these devices to them.



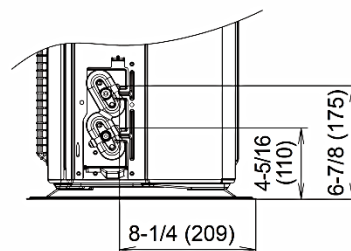
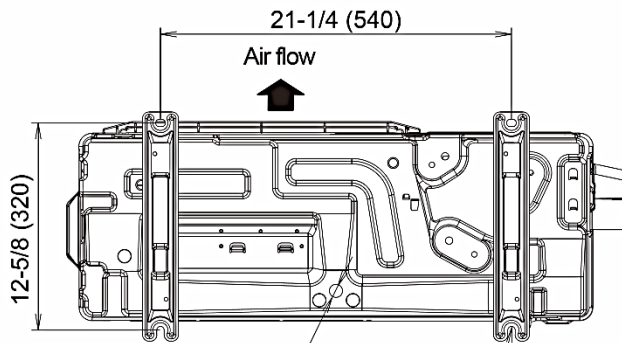
Dimensions: 12RLS3

[Unit: in. (mm)]



Front view

Side view



Drain pipe mounting place (Ø13/16 (20))

4-Ø7/16 (11.3) hole

Bottom view