

# WIRING DIAGRAM

## PSH4BG/FT4BG - 2, 3, 4 Ton Split Heat Pump

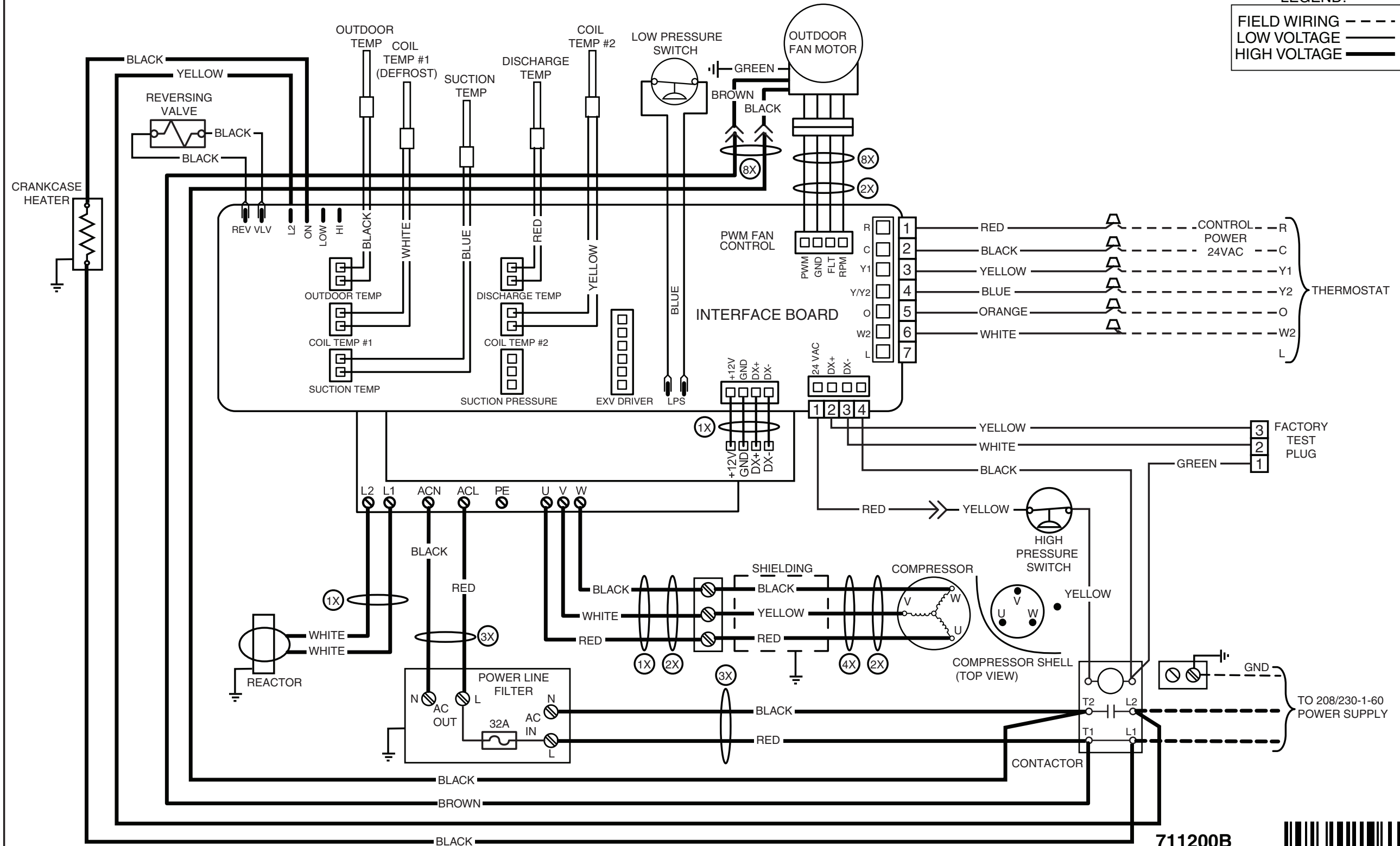
Line Voltage 208/230 VAC

1 Phase / 60 Hz

**NOTES:**

1. Disconnect all power before servicing.
2. For supply connections use copper conductors only.
3. Not suitable on systems that exceed 150 volts to ground.
4. For replacement wires use conductors suitable for 105 deg.C.
5. For ampacities and overcurrent protection, see unit rating plate.
6. Connect to 24 vac/60va/class 2 circuit. See furnace/air handler installation instructions for control circuit and optional relay/transformer kits.
7. Ferrite chokes are shown by an ellipse enclosing wires. The number of turns per wire through the choke is shown by (2X), for example.

1. Couper le courant avant de faire letretien.
2. Employez uniquement des conducteurs en cuivre.
3. Ne convient pas aux installations de plus de 150 volt a la terre.



**LEGEND:**

- FIELD WIRING - - - -
- LOW VOLTAGE ———
- HIGH VOLTAGE ———