

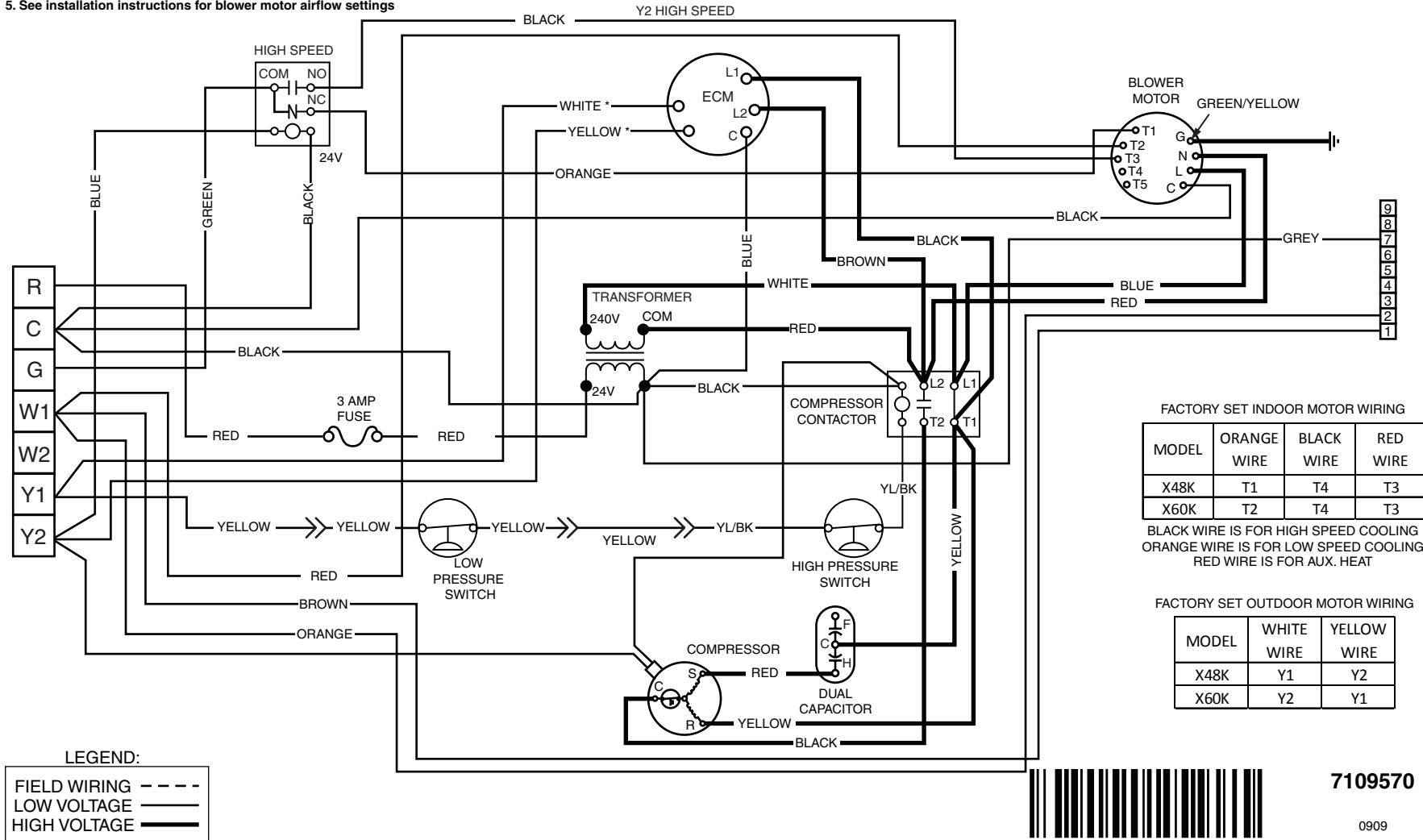
WIRING DIAGRAM

Packaged Air Conditioner - Single Phase

NOTES:

1. Disconnect all power before servicing.
2. For supply connections use copper conductors only.
3. Not suitable on systems that exceed 150 V to ground.
4. For replacement wires use conductors suitable for 105° C.
5. See installation instructions for blower motor airflow settings

1. Couper le courant avant de faire leretien.
2. Employez uniquement des conducteurs en cuivre.
3. Ne convient pas aux installations de plus de 150 V a la terre.



FACTORY SET INDOOR MOTOR WIRING

MODEL	ORANGE WIRE	BLACK WIRE	RED WIRE
X48K	T1	T4	T3
X60K	T2	T4	T3

BLACK WIRE IS FOR HIGH SPEED COOLING
ORANGE WIRE IS FOR LOW SPEED COOLING
RED WIRE IS FOR AUX. HEAT

FACTORY SET OUTDOOR MOTOR WIRING

MODEL	WHITE WIRE	YELLOW WIRE
X48K	Y1	Y2
X60K	Y2	Y1



7109570

0909