

# WIRING DIAGRAM

## Convertible Packaged Heat Pump

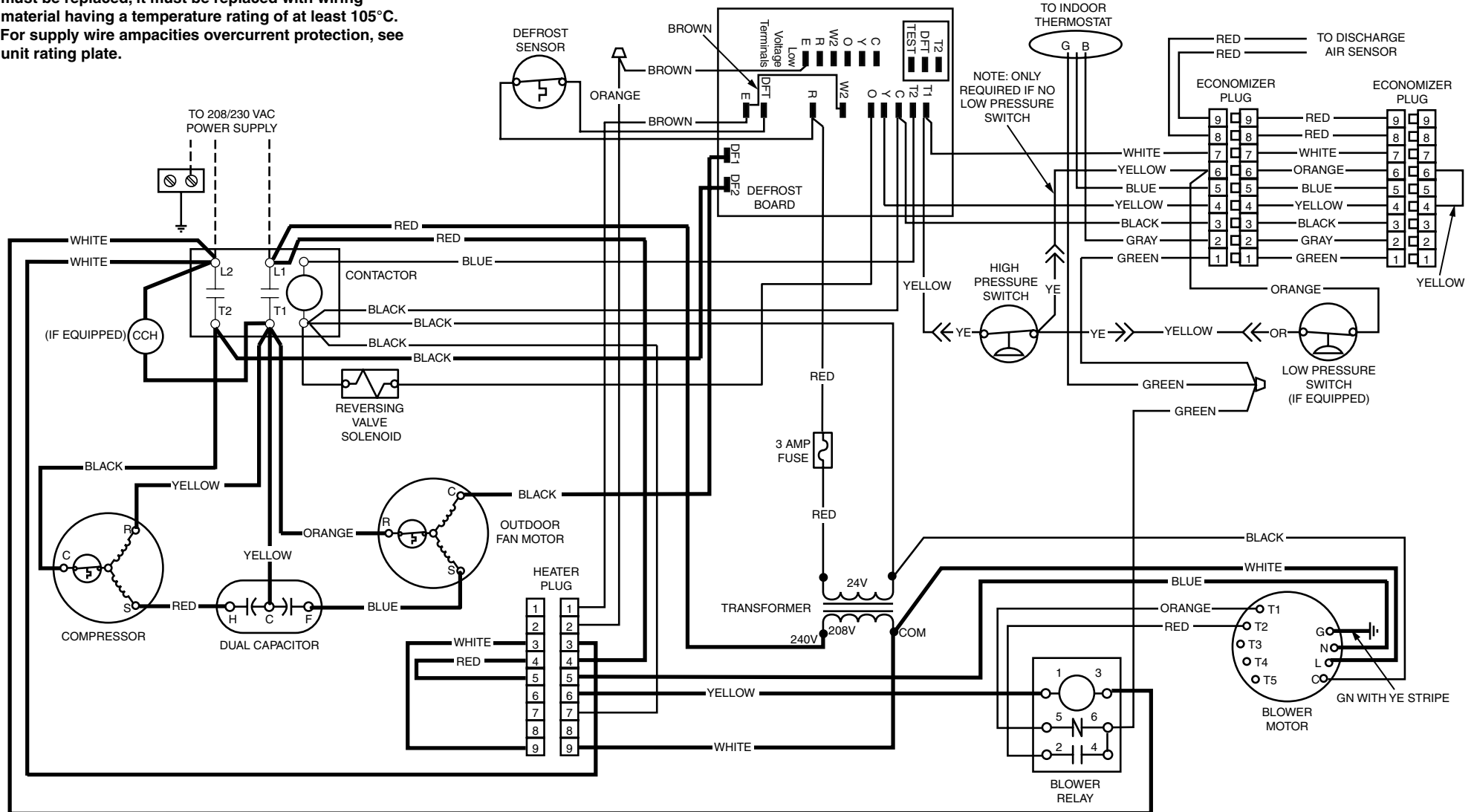
208/230 Volt

Single Phase 60Hz

**NOTES:**

1. Disconnect all power before servicing.
2. For supply connections use copper conductors only.
3. Not suitable on systems that exceed 150V to ground.
4. If any of the original wire as supplied with the furnace must be replaced, it must be replaced with wiring material having a temperature rating of at least 105°C.
5. For supply wire ampacities overcurrent protection, see unit rating plate.

1. Couper le courant avant de faire letretien.
2. Employez uniquement des conducteurs en cuivre.
3. Ne convient pas aux installations de plus de 150 V a la terre.



**DEFROST BOARD OPERATION:**

- ① CLOSES DURING DEFROST. RAITNG: 1 A MAXIMUM
- ② OPENS DURING DEFROST. 2 HP AT 230 VAC MAXIMUM
- ③ CLOSED WHEN "Y" IS ENERGIZED. OPEN WHEN "Y" IS DEENERGIZED. PROVIDES "OFF" DELAY TIME OF 5 MIN WHEN "Y" IS DEENERGIZED.
- ④ WITH DTF CLOSED AND "Y" ENERGIZED, COMPRESSOR RUN TIME IS ACCUMULATED. OPENING OF DFT DURING DEFROST OR INTERVAL PERIOD RESETS THE INTERVAL TO 0.

NOTE: See Installation Instructions for wiring, application, and information concerning accessory Heat Kits and other options.

**LEGEND:**

FIELD WIRING	----
LOW VOLTAGE	_____
HIGH VOLTAGE	—————



7107730  
02/08