

## REPLACEMENT PARTS LIST

Single Package Heat Pump

Q6SD Series

13 SEER, Single Phase Models



### IMPORTANT

- This document is primarily intended to assist qualified individuals experienced in the proper repair or servicing of this appliance. Only factory authorized parts or accessory kits may be used with this product. Improper installation, service, adjustment, or maintenance may cause explosion, fire, electrical shock or other hazardous conditions which may result in personal injury or property damage.
- Some local codes require licensed installation / service personnel to service this type of equipment. Under no circumstances should the equipment owner attempt to install parts or service this equipment. Failure to comply with this warning could result in property damage, personal injury, or death.

## (G)Q6SD Single Package Heat Pump 13 SEER, Single Phase Models

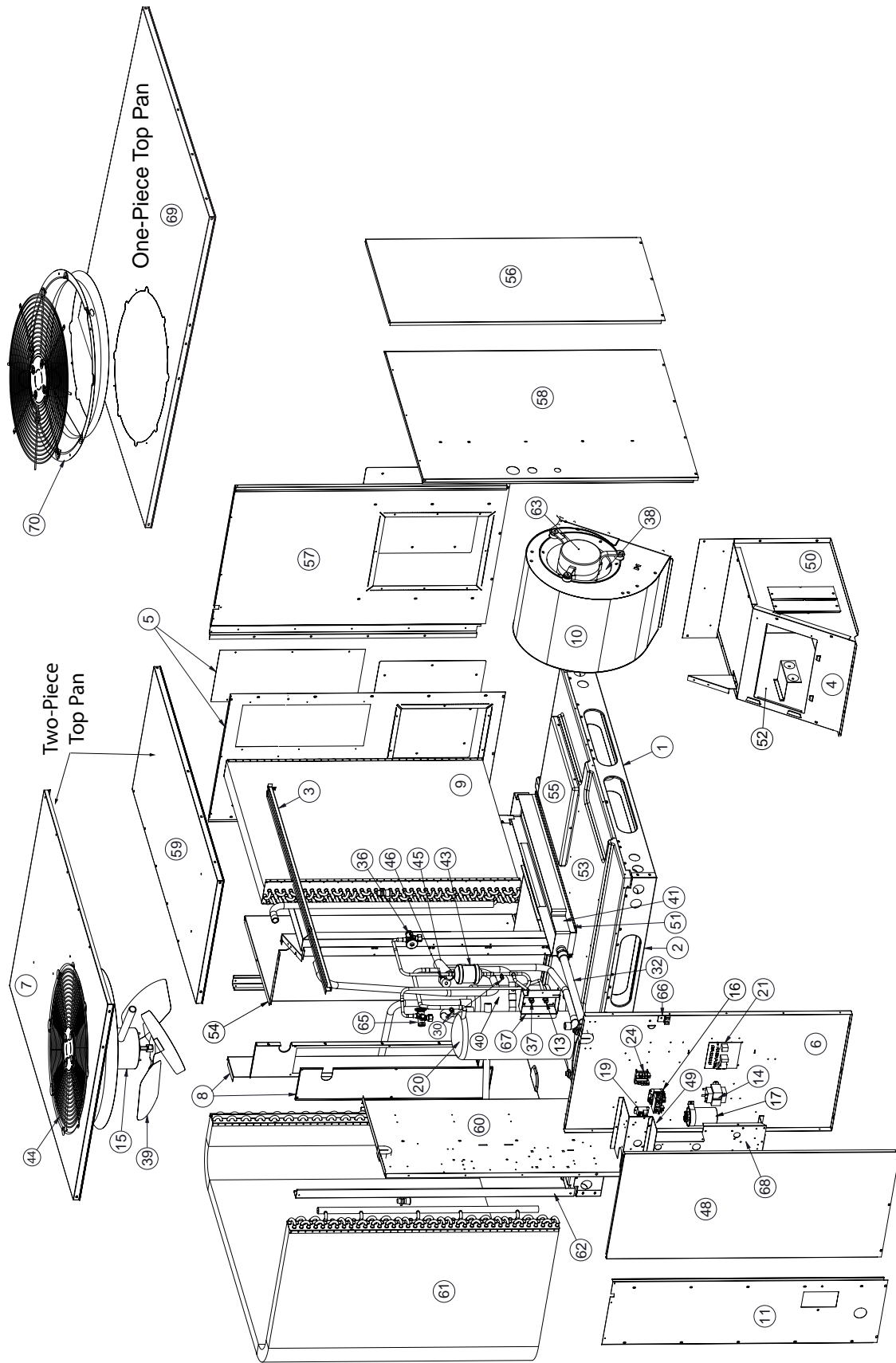
ITEM	DESCRIPTION	(G)Q6SD-X24K	(G)Q6SD-X30K	(G)Q6SD-X36K	(G)Q6SD-X42K	(G)Q6SD-X48K	(G)Q6SD-X60K
		919977(G)	919978(G)	919979(G)	919980(G)	919981(G)	919982(G)
1	RAIL, BASE, SHORT	277551	277551	277551	277551	277551	277551
2	RAIL, BASE, LONG	277552	277552	277552	277552	277552	277552
3	CHANNEL, DRAIN	279722R	279722R	279722R	279722R	279722R	279722R
4	PANEL, BLOWER TRANSITION	283942	283942	283942	283942	283942	283942
5	RETURN PANEL	D05565R	D05565R	D05565R	D05566R	D05566R	D05566R
6	CONTROL PANEL ASSEMBLY	292402R	292402R	292402R	292403R	292403R	292403R
7	INSULATED TOP PAN ASSEMBLY, RT	292441R	292441R	292441R	292441R	292441R	292441R
8	HEADER COVER ASSEMBLY	293112	293112	293112	293113	293113	293113
9	INDOOR COIL ASSEMBLY	283091R	283091R	283091R	D06255R	D06255R	D06256R
10	BLOWER HSG ASSEMBLY, 9/10X10	297214	297214	297214	297214	297214	297214
11	FRONT PANEL	298892	298892	298892	298893	298893	298893
12	NUT, HEX, BRIGHT (NOT SHOWN)	606260	606260	606260	606260	606260	606260
	NUT, HEX, BLACK ("G" MODELS) (NOT SHOWN)	606261	606261	606261	606261	606261	606261
13	BRASS NUT, SERVICE PORT	618084	618084	618084	618084	618084	618084
14	TRANSFORMER 40 VA	621709	621709	621709	621709	621709	621709
15	MTR, FAN, 1/4 HP	—	—	621721	621721	621721	—
	MTR, FAN, 1/3 HP	—	—	—	—	—	621740
	MTR, FAN, 1/5 HP	622080	622080	—	—	—	—
16	CONTACTOR, 1POLE/25A	621661	621661	621661	—	—	—
	CONTACTOR, 1POLE/35A	—	—	—	621662	621662	621662
17	CAPAC, RUN 80/7.5/370	—	—	—	—	—	621717
	CAPAC, RUN 70/7.5/370	—	—	—	—	621944	—
	CAPAC, RUN 40/5/370	620763	620763	—	—	—	—
	CAPAC, RUN 45/755/370	-	-	621153	621153	—	—
18	DISTRIBUTOR, 3CIR, ID (NOT SHOWN)	663913	663913	663913	—	—	—
	DISTRIBUTOR, 6CIR, ID (NOT SHOWN)	—	—	—	663584	663584	—
	DISTRIBUTOR, 8CIR, ID (NOT SHOWN)	—	—	—	—	—	663586
19	RELAY, BLOWER, 240V COIL	622180	622180	622180	622180	622180	622180
20	COMPRESSOR, ZP21K5E-PFV	921423	—	—	—	—	—
	COMPRESSOR, ZP25K5E-PFV	—	921425	—	—	—	—
	COMPRESSOR, ZP31K5E-PFV	—	—	921427	—	—	—
	COMPRESSOR, ZP39K5E-PFV	—	—	—	919607	—	—
	COMPRESSOR, ZP42K5E-PFV	—	—	—	—	918872	—
	COMPRESSOR, ZP54K5E-PFV	—	—	—	—	—	918873
21	DEFROST BOARD	624656	624656	624656	624656	624656	624656
22	DEFROST SENSOR (NOT SHOWN)	626488	626488	626488	626488	626488	626488
23	FUSE, 3-AMP (NOT SHOWN)	632261	632261	632261	632261	632261	632261
24	LOW PRESURE SWITCH (NOT SHOWN)	632399	632399	632399	632399	632399	632399
25	HIGH PRESURE SWITCH (NOT SHOWN)	632401	632401	632401	632401	632401	632401
26	GUARD, COIL (FORMED)	D09373R	D09373R	D09373R	D09374R	D09374R	D09374R
	GUARD, COIL (FORMED), BLACK ("G" MODELS)	D09373B	D09373B	D09373B	D09374B	D09374B	D09374B
27	MOLDED PLUG (NOT SHOWN)	634676	634676	634676	634676	634676	634676
28	CORE, CHARGING PORT (NOT SHOWN)	662103	662103	662103	662103	662103	662103
29	DISTRIBUTOR, 4 CIR, OD (NOT SHOWN)	663581	663581	663581	—	—	—
	DISTRIBUTOR, 5 CIR, OD (NOT SHOWN)	—	—	—	663582	663582	—
	DISTRIBUTOR, 6 CIR, OD (NOT SHOWN)	—	—	—	—	—	664351

Please specify Model No., Serial No., and the correct part number(s) when ordering parts from the nearest authorized dealer or service center.

## (G)Q6SD Single Package Heat Pump 13 SEER, Single Phase Models

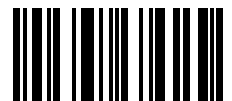
ITEM	DESCRIPTION	(G)Q6SD-X24K	(G)Q6SD-X30K	(G)Q6SD-X36K	(G)Q6SD-X42K	(G)Q6SD-X48K	(G)Q6SD-X60K
		919977(G)	919978(G)	919979(G)	919980(G)	919981(G)	919982(G)
30	FITTING, ACCESS	663812	663812	663812	663812	663812	663812
31	CAP, SERVICE PORT, BRASS (NOT SHOWN)	663818	663818	663818	663818	663818	663818
32	DRAIN TUBE ASSEMBLY	663833	663833	663833	663833	663833	663833
34	CONNECTOR, SWIVEL (PARKER) (NOT SHOWN)	664194	664194	664194	—	—	—
35	CORE, PORT, HI FLOW, BRASS (NOT SHOWN)	664331	664331	664331	664331	664331	664331
36	THERMAL EXPANSION VALVE, ID	664343	664343	664343	664345	664345	664347
37	FITTING, PANEL MNT, HI-FLOW, 3/8"	664393	664393	664393	664393	664393	664393
38	WHEEL, BLOWER 10X10	667207	667207	667207	667207	667207	667207
39	FAN BLADE	667278	667278	667278	667278	667278	667282
40	ACCUMULATOR	668853	668853	668853	668854	668854	668854
41	PAN, DRAIN	6689190	6689190	6689190	6689190	6689190	6689190
42	REPLACEMENT HAIL GUARD KIT (NOT SHOWN)	917206	917206	917206	917206	917206	917206
43	DRIER, FILTER, BIFLOW, 8 IN <sup>3</sup>	669379	669379	669379	669379	669379	669379
44	GRILLE, TOP-24" BLACK	669404	669404	669404	669404	669404	669404
45	REVERSING VALVE	669465	669465	669465	—	—	—
	REVERSING VALVE KIT	—	—	—	M0079101R	M0079101R	M0079101R
46	REVERSING VALVE COIL	669472	669472	669472	—	—	—
47	TOUCH UP PAINT, STERLING GREY (NOT SHOWN)	903598	903598	903598	903598	903598	903598
48	SERVICE PANEL	D05112R	D05112R	D05112R	D05113R	D05113R	D05113R
49	DIVIDER, LOW VOLTAGE	D05120	D05120	D05120	D05120	D05120	D05120
50	PANEL, ELECTRIC HEAT	D05420	D05420	D05420	D05420	D05420	D05420
51	STAND, DRAIN PAN	D05440	D05440	D05440	D05440	D05440	D05440
52	PANEL, BLOWER TRANS SIDE	D05450	D05450	D05450	D05450	D05450	D05450
53	BOTTOM PAN ASSEMBLY	D05480R	D05480R	D05480R	D05480R	D05480R	D05480R
54	DIVIDER PANEL ASSEMBLY	D05502R	D05502R	D05502R	D05503R	D05503R	D05503R
55	DUCT CAP ASSEMBLY	D05530R	D05530R	D05530R	D05530R	D05530R	D05530R
56	BLOWER PANEL ASSEMBLY	D05542R	D05542R	D05542R	D05543R	D05543R	D05543R
57	SUPPLY PANEL ASSEMBLY	D05555R	D05555R	D05555R	D05556R	D05556R	D05556R
58	CORNER PANEL ASSEMBLY	D05625R	D05625R	D05625R	D05626R	D05626R	D05626R
59	ASSEMBLY, TOP PAN, LEFT	293781R	293781R	293781R	293781R	293781R	293781R
60	PANEL, CLOSE-OFF ASSEMBLY	D05685R	D05685R	D05685R	D05686R	D05686R	D05686R
61	COIL, OUTDOOR	D06262R	D06262R	D06262R	D06265R	D06265R	D06266R
62	CORNER POST	D09996R	D09996R	D09996R	D09997R	D09997R	D09997R
63	BLOWER MOTOR, 3/4HP, X-13	—	—	—	—	M0023903R	M0023903R
	BLOWER MOTOR, 1/2HP, X-13	M0023910R	M0023915R	M0002944R	M0023916R	—	—
64	SET OF WIRES (NOT SHOWN)	M0027906R	M0027906R	M0027906R	M0027906R	M0027906R	M0027906R
65	OUTDOOR RESTRICTOR (NOT SHOWN)	.048	664048	—	—	—	—
		.052	—	664052	—	—	—
		.053	—	—	664053	—	—
	THERMAL EXPANSION VALVE, OD	—	—	—	664346	664346	664348
66	DUAL GROUNDING LUG	632235	632235	632235	632235	632235	632235
67	BRACKET, SERVICE PORT	298551	298551	298551	298551	298551	298551
68	CCH (NOT SHOWN)	632509	632509	632509	632509	632509	632509
69	ONE-PIECE TOP PAN KIT (ORIFICE INCLUDED)	M0034721	M0034721	M0034721	M0034721	M0034721	M0034721
70	DROP-IN ORIFICE	263210	263210	263210	263210	263210	263210

Please specify Model No., Serial No., and the correct part number(s) when ordering parts from the nearest authorized dealer or service center.



**NORDYNE**  
 COMPLETE COMFORT. GENUINE VALUE.

Specifications & illustrations subject to change without notice or incurring obligations.  
 O' Fallon MO | Printed in U.S.A (07/11)



708870D (Replaces 708870C)