

WIRING DIAGRAM

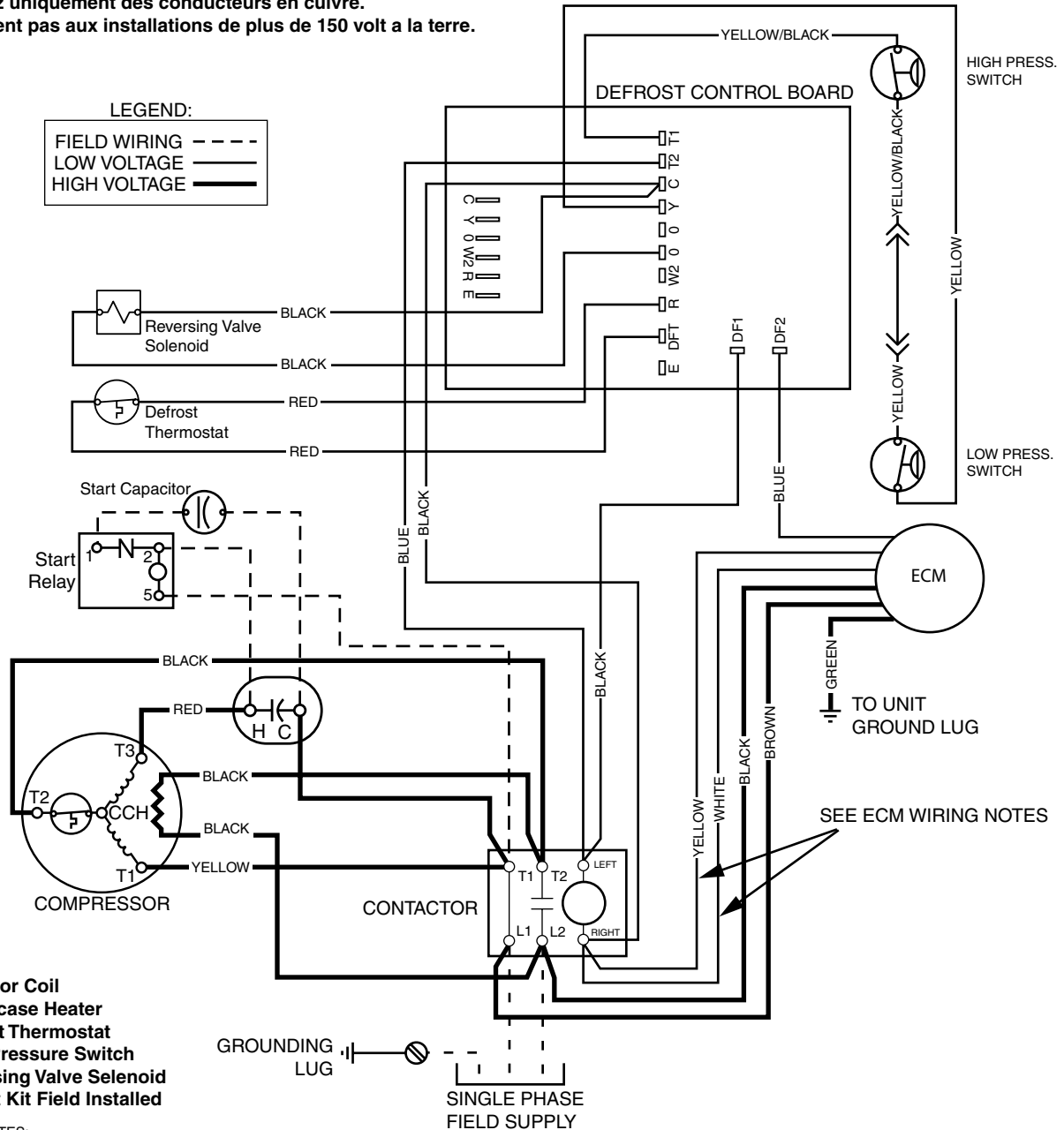
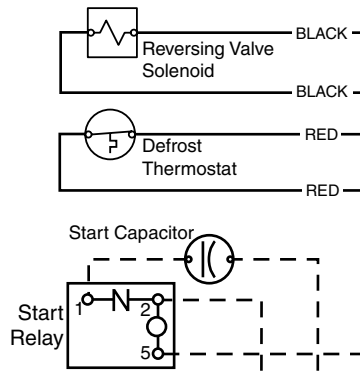
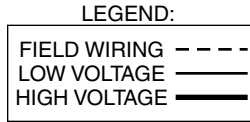
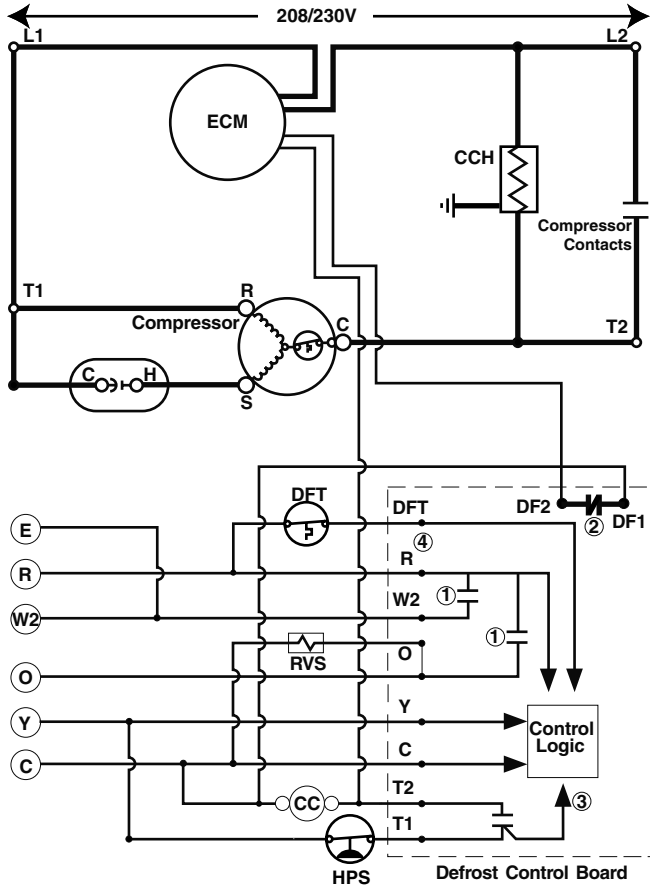
Split System Heat Pump (Outdoor Section)

Single Phase

NOTES:

1. Disconnect all power before servicing.
2. For supply connections use copper conductors only.
3. Not suitable on systems that exceed 150 volts to ground.
4. For replacement wires use conductors suitable for 105°C.
5. For ampacities and overcurrent protection, see unit rating plate.
6. Connect to 24 vac/40va/class 2 circuit. See furnace/air handler installation instructions for control circuit and optional relay/transformer kits.

1. Couper le courant avant de faire letretien.
2. Employez uniquement des conducteurs en cuivre.
3. Ne convient pas aux installations de plus de 150 volt a la terre.



Defrost Board Operation:

1. Closing during defrost. Rating: 1 Amp.Max
2. Opens during defrost. Rating: 2HP at 230 Vac Max.
3. Closed when "Y" is on. Open when "Y" is off. Provides "off" delay time of 5 min. when "Y" opens.
4. With DFT closed and "Y" closed, compressor run time is accumulated. Opening of DFT during defrost or interval period resets the interval to 0.

- CC - Contactor Coil
- CCH - Crankcase Heater
- DFT - Defrost Thermostat
- HPS - High Pressure Switch
- RVS - Reversing Valve Solenoid
- * - Hard Start Kit Field Installed

ECM WIRING NOTES:

- 1) FOR 825 RPM ATTACH WHITE TO RIGHT CONTACTOR. (FOR SKUS 919660,919661,919662,919664)
- 2) FOR 960 RPM ATTACH YELLOW TO RIGHT CONTACTOR. (FOR SKU 919663)
- 3) FOR 1100 RPM ATTACH WHITE AND YELLOW TO RIGHT CONTACTOR.



710659B
(Replaces 710659A)