

FRESH-AIRE UV[®]

COMMERCIAL SERIES

TIGHT-FIT KIT

IF A LIGHT WON'T FIT ...YOU NEED THE KIT!

FEATURES

- Installs in the tightest spaces such as PTACs and Fan Coil Units
- Weather resistant remote mountable UV lamps with magnetic mounting shield
- 18-32 or 110-277 VAC power supply with flexible mounting options
- 2 Year & Odor Control lamp options
- Lifetime Warranty on all parts except lamp



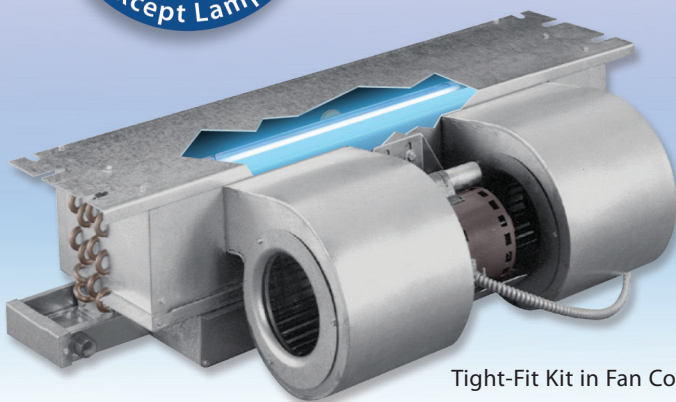
Tight-Fit Kit in PTAC

**Extended Range
18-32 or 110-277 VAC
Power Supply
Options!**



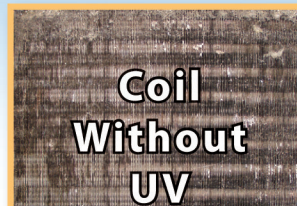
BENEFITS

- Kills airborne mold, bacteria, and viruses
- Provides a healthier indoor environment
- Kills mold, bacteria, and viruses where they lurk
- Reduces system maintenance
- Reduces household odors

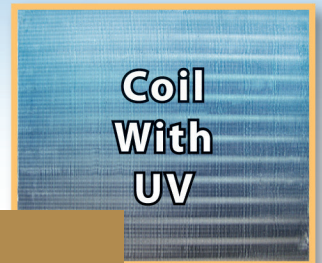


Tight-Fit Kit in Fan Coil

UV Lamp Options



**Coil
Without
UV**



**Coil
With
UV**



1 Year



2 Year

Odor Control

Manufactured by Triatomic Environmental, Inc.

WWW.FRESHAIREUV.COM

sales@freshaireuv.com

UV-C light suppresses microbial growth on HVAC coils and surrounding areas



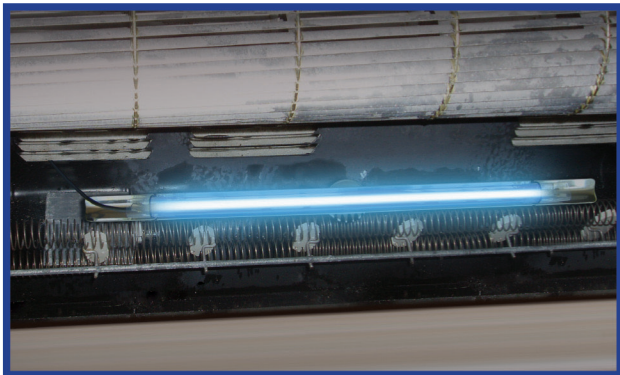
FRESH-AIRE UV[®]

COMMERCIAL SERIES

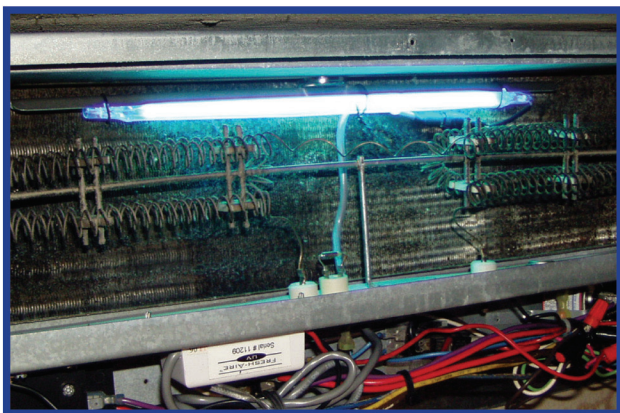
TIGHT-FIT KIT

TIGHT-FIT KIT UV™

An ideal kit for installation into most of the fan coil units and PTACs found on the market today. The kit provides a means for locating the UV light within these units for optimum UV exposure particularly where space is limited.



TIGHT-FIT KIT UV™ installed in PTAC unit



TIGHT-FIT KIT UV™ installed in fan coil unit

Specifications & Part Numbers	
TFK with low voltage TUV-ER power supply	
TUV-TFK-ER TUV-TFK-ER-OS (odor control) TUV-TFK-ER-2 (2 year lamp) TUV-TFK-ER-2-OS (2 year, odor control)	
TUV-ER power supply specs	
Electrical	18-32 VAC, 60 Hz, 0.68 Amps, 16 VA
Dimensions	Power Supply: 4.1"W x 1.7" H x 1.8"D
TFK UV with high voltage TUV-ST power supply	
TUV-TFK-ST TUV-TFK-ST-OS (odor control) TUV-TFK-ST-2 (2 year lamp) TUV-TFK-ST-2-OS (2 year, odor control)	
TUV-ST power supply specs	
Electrical	110-277 VAC, 50/60 Hz,
Dimensions	0.51 Amps/120V Thru 0.22 Amps/277V
	Power Supply: 5.0"W x 1.1" H x 2.4"D
1 Year UV lamp TUVL-100 specs	
Spectrum	100% 254 NM Germicidal UV-C
Type	Unshielded Quartz Hot Filament
Dimensions	14"L x 0.74" Dia.
2 Year UV lamp TUVL-200 specs	
Spectrum	100% 254 NM Germicidal UV-C
Type	Shielded Quartz Hot Filament
Dimensions	14"L x 1" Dia.
Odor control UV lamp option (OS)	
Spectrum	90% 254 NM Germicidal UV-C
	10% 185 NM Odor Oxidation
Common to all	
Dimensions	UV Lamp & Shield: 17" x 1"
	Magnet: 1.4" Dia
Weight	1 lb.
Kit Includes	Power Supply, 6' Lamp Cable, UV Lamp, UV Lamp Shield, Magnetic Mounting Hardware, Panel Indicator

U.S. patent #7,704,463

 **Made in USA**



Manufactured by Triatomic Environmental, Inc.

WWW.FRESHAIREUV.COM

sales@freshaireuv.com

