

ULTRA-ZONE™

Forced Air Zone Controls

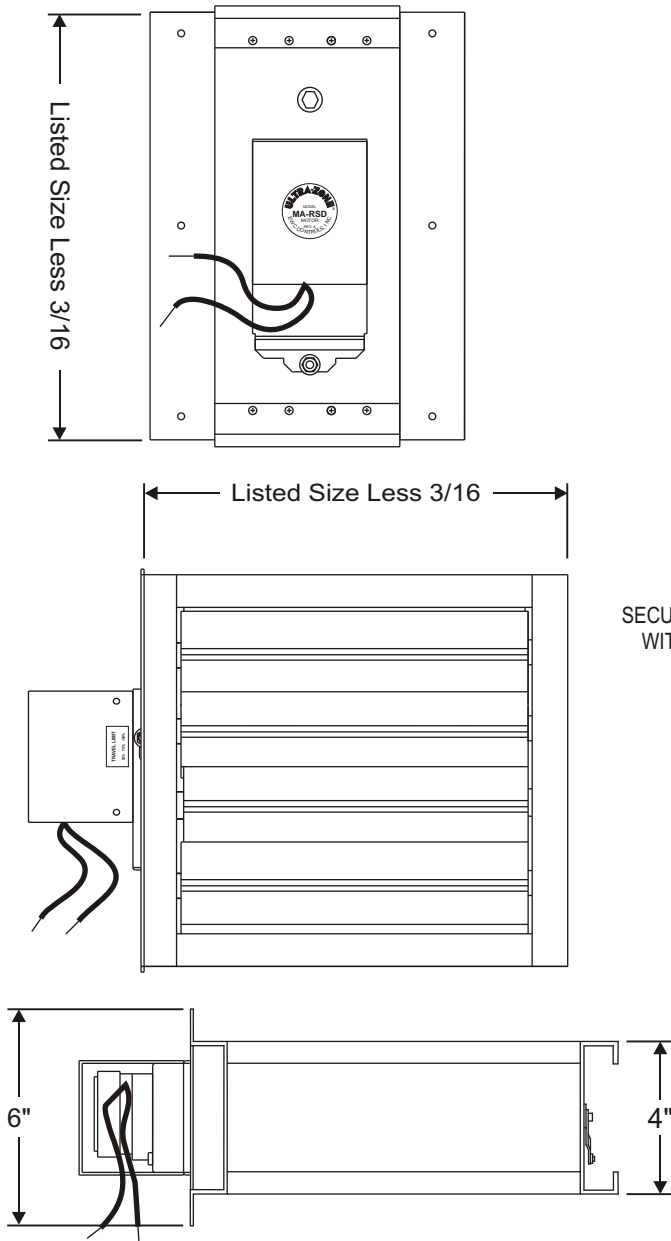
SUBMITTAL SHEET

Model ND-RSD
Rectangular Spring-Return Damper

Model ND-RSD is a rectangular parallel blade damper constructed from heavy duty extruded aluminum with nylon bearings for quiet operation. The Motor Actuator is a 24vac (6watt / 8va) Synchronous motor. It is typically a Power Close / Spring Open construction. The damper can be ordered as Power Open / Spring Close. *The Model ND-RSD cannot be field-reversed.*

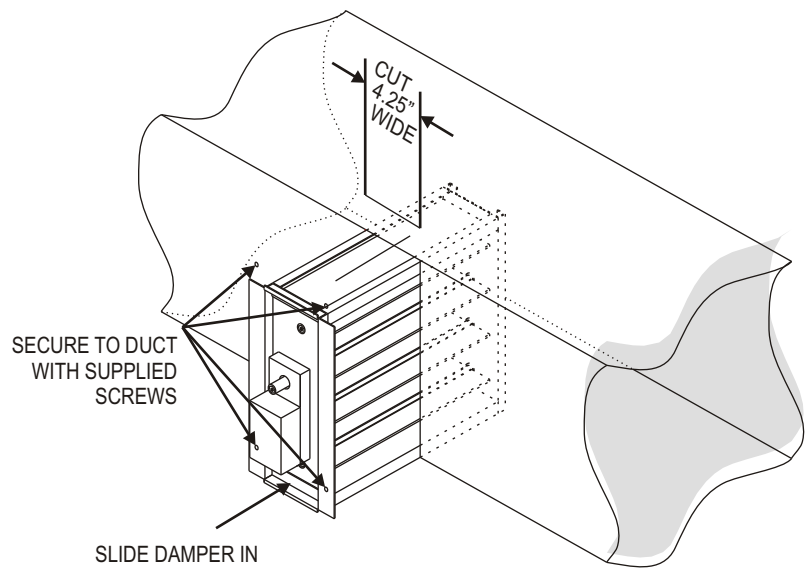
The Synchronous motor can get very warm when energized/stalled for extended time periods. To avoid overheating, do not insulate or encapsulate the motor housing. Doing so will damage the actuator assembly and void the warranty. See reverse side for wiring solutions.

DIMENSIONAL DRAWINGS

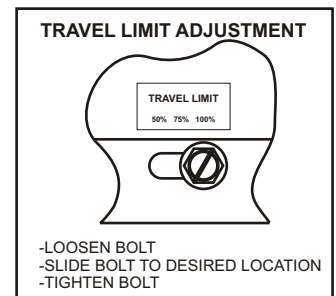


INSERTION MOUNTING

Cut a 4.25" slotted opening in one side of the duct and slide the damper in. Secure the damper to the duct with the sheet metal screws. Larger sizes may require additional support by securing the back of the damper as well. If using duct board, additional support can be obtained by using Model DBA Duct Board Adaptors.



The Model ND-RSD has a "Travel Limiter" to allow supply air leakage in the closed position.



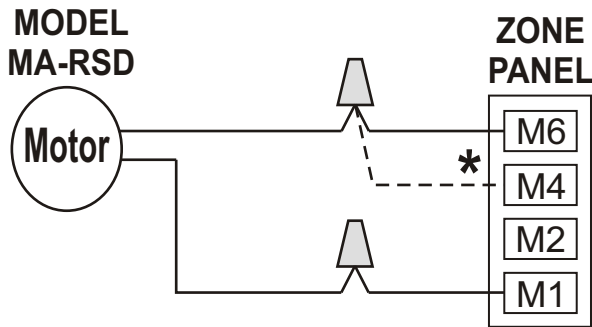
385 Hwy. 33 Englishtown, NJ 07726
Ph: 800-446-3110 - Fx: 732-446-5362

WIRING SOLUTIONS

MOTOR Terminal Output

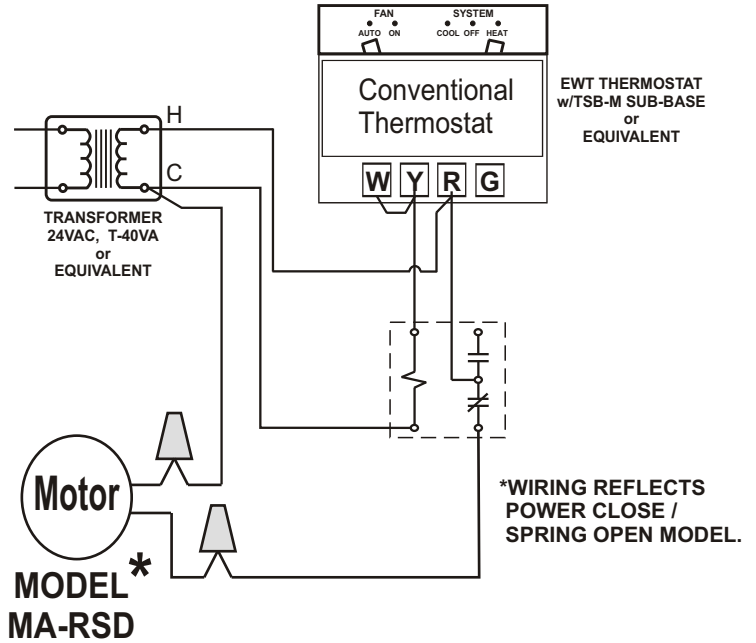
- M6 - power to close
- M4 - power to open
- M2 - constant power
- M1 - common

Wiring to a Control Panel



*DAMPERS SHOWN AS POWER CLOSE/SPRING OPEN MODEL
IF POWER OPEN/SPRING CLOSE MODEL WIRE TO M4 TERMINAL.

Wiring a Thermostat to Control a Single Damper



Wiring in Parallel

*DAMPERS SHOWN AS POWER CLOSE/SPRING OPEN MODELS
IF POWER OPEN/SPRING CLOSE MODELS WIRE TO M4 TERMINAL.

**It may be necessary to isolate multiple RSD actuators with a field relay and separate transformer.
Contact EWC Controls technical support.

