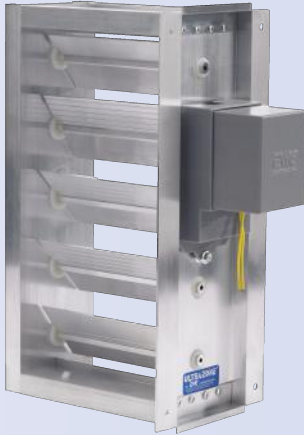


ULTRA-ZONE[®]

Zone Control Systems

ND-RSD
Rectangular
Spring-Return
Zone Dampers



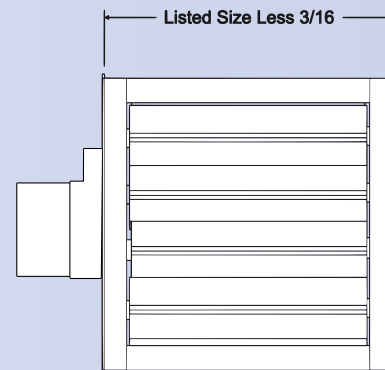
ND-RSD

The ND-RSD series of Ultra-Zone dampers was designed for those in need of a damper with a simple two-wire, spring-return motor. This rectangular damper is easy to install and easy to checkout. A sturdy aluminum frame increases the ease of installation and the nylon bushings ensure smooth operation.

The ND-RSD damper comes with a 24 Volt spring return motor that provides 4 in.-lbs. of torque. The motor is *not* field reversible so you must specify the resting (unpowered) state of the blades when ordering. The designation is either "NO" for "normally open" or "NC" for "normally closed". For example, a 12 x 8 ND-RSD that springs open when the power is off would be listed as a "12 x 8 ND-RSD NO". The ND-RSD dampers combined with an Ultra-Zone zoning system provides the most comfortable and reliable system in the industry.

The ND-RSD is available in 8" x 6" thru 30" x 30" in even inch increments with custom sizing available. The motor will be mounted on the second dimension when ordered. For example, a 16" x 8" damper will have the motor mounted on the 8" dimension, while an 8" x 16" will have the motor mounted on the 16" dimension. This will alleviate the confusion between side mount and bottom mount dampers.

- Nylon shaft provides thermal barrier to eliminate condensation
- Simple slide adjustment to control blade travel
- 5 year parts warranty and tech support just a phone call away



Excellence Without Compromise[®]
EVC
CONTROLS INC.



ClimateTalk[™]
SPOKEN HERE



385 Highway 33
Englishtown, NJ 07726
Phone: 800-446-3110
Fax: 732-446-5362
www.ewccontrols.com

© copyright 2018