

HORIZONTAL EVAPORATOR COILS

N COIL – CASED

R-410A SYSTEMS

2 – 5 Tons



Use of the AHRI Certified TM Mark indicates a manufacturer's participation in the program. For verification of certification for individual products, go to www.ahridirectory.org.



WLNH	
Model	Size (tons)
WLNH244BA	2
WLNH304BA	2-1/2
WLNH364BA	3
WLNH424CA	3-1/2
WLNH484CA	4
WLNH604DA	5

STANDARD FEATURES

- Available for environmentally sound R-410A systems
- Aluminum hairpin/return-bend/fin "N" coil with the latest high-tech fin design
- Bolt-on TXV metering device factory installed on all models (equalizer tube brazed in)
- Available with industry exclusive tin coated copper main tubing for additional corrosion protection
- Two condensate drain connections
- Cabinet widths match flush with (WFMR, WFML, WFAR, WFHR) furnaces
- Removable front access panel
- Hemmed flanges for safer handling
- Foil faced insulation
- Non-sweat cabinet, even at extreme conditions
- Cabinets meet or exceed 2% air leakage codes
- Sturdy, pre-painted steel cabinet
- Horizontal installation

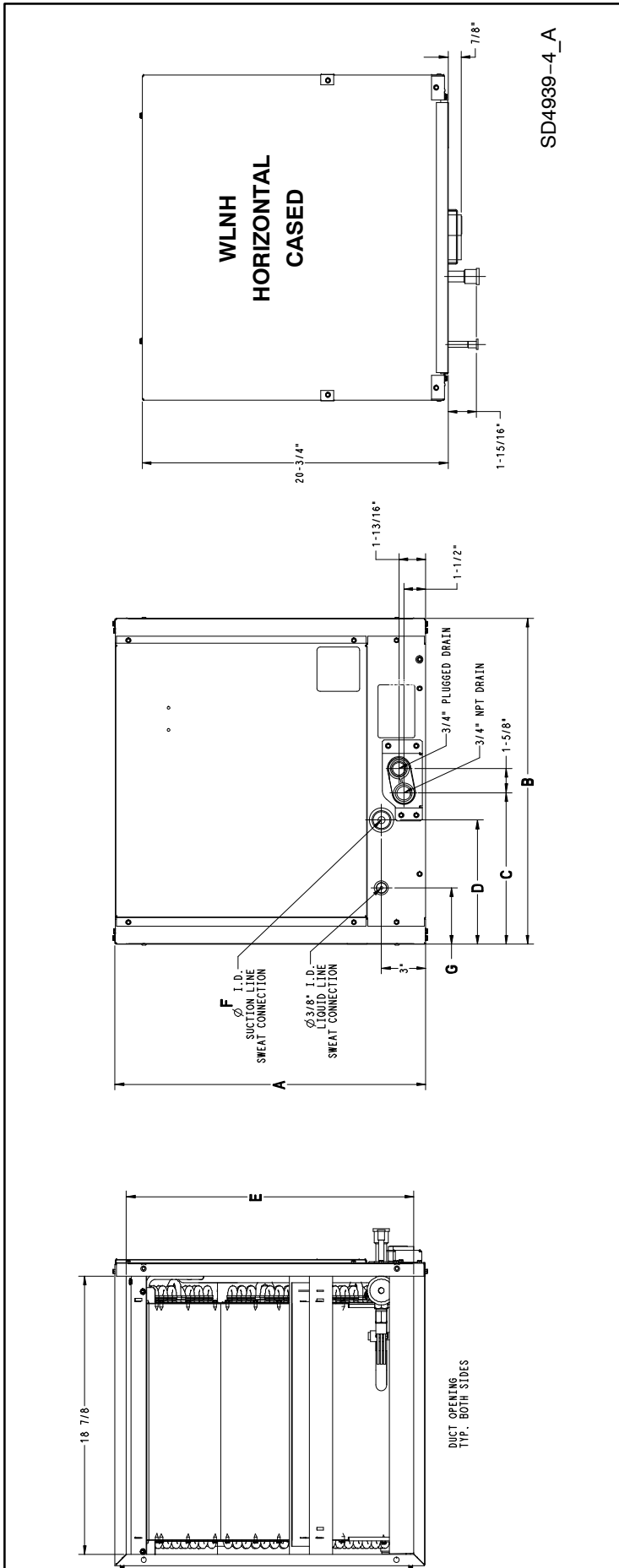
WARRANTY

- 5 year parts (with an additional 5 years parts if properly registered) limited warranty to the original purchaser only for owner-occupied dwellings – see warranty certificate for details.

WLNH

Product Specifications

EVAPORATOR COIL MODEL NUMBER IDENTIFICATION GUIDE								
Digit Position:	1, 2	3	4	5, 6	7	8	9	10
	WL	N	H	24	4	A	A	1
WL = Aluminum Evaporator Coil								
A = A coil								
N = N coil		TYPE						
U = Uncased Upflow/Downflow								
C = Cased Upflow/Downflow								
H = Cased Horizontal								
W = Cased Upflow/Downflow for narrower furnaces		INSTALLATION TYPE						
18 = 18,000 BTU/hr = 1-1/2 TONS								
24 = 24,000 BTU/hr = 2 TONS								
30 = 30,000 BTU/hr = 2-1/2 TONS								
36 = 36,000 BTU/hr = 3 TONS								
42 = 42,000 BTU/hr = 3-1/2 TONS								
48 = 48,000 BTU/hr = 4 TONS								
60 = 60,000 BTU/hr = 5 TONS		NOMINAL COOLING CAPACITY						
4 = R-410A				REFRIGERANT				
B = 17-1/2"								
C = 21"								
D = 24-1/2"						CABINET WIDTH		
SALES DIGIT								
EXTRA DIGIT								



DIMENSIONAL DATA — WLNH4**

Model	Size (tons)	Inches – English (MM – SI Metric)							Shipping Weight lbs (kg)
		A	B	C	D	E	F	G	
WLNH244B	2	17-1/2 (445)	19 (483)	10-3/4 (273)	9-5/16 (237)	16 (406)	5/8 (16)	3-13/16 (97)	40 (18)
WLNH304B	2-1/2	17-1/2 (445)	22-1/16 (560)	10-5/16 (262)	8-7/16 (214)	16 (406)	3/4 (19)	3-13/16 (97)	50 (23)
WLNH364B	3	17-1/2 (445)	22-1/16 (560)	10-5/16 (262)	8-7/16 (214)	16 (406)	3/4 (19)	3-13/16 (97)	50 (22)
WLNH424C	3-1/2	21 (533)	22-1/16 (560)	10-5/16 (262)	8-7/16 (214)	19-1/2 (495)	7/8 (22)	3-13/16 (97)	59 (27)
WLNH484C	4	21 (533)	28-1/16 (713)	13-3/16 (335)	8-7/16 (214)	19-1/2 (495)	7/8 (22)	3-13/16 (97)	71 (32)
WLNH604D	5	24-1/2 (622)	29 (737)	14-1/8 (359)	9-5/16 (237)	23 (584)	7/8 (22)	3-13/16 (97)	81 (37)

COOLING CAPACITIES (MBH)																	
UNIT SIZE	INDOOR COIL AIR		SATURATED TEMPERATURE LEAVING EVAPORATOR °F (°C)														
			30 (-1)			35 (2)			40 (4)			45 (7)			50 (10)		
	CFM	EWB	TC	SHC	BF	TC	SHC	BF	TC	SHC	BF	TC	SHC	BF	TC	SHC	BF
24	600	72 (22)	39.00	19.00	0.00	36.00	17.50	0.00	32.70	15.90	0.00	28.80	14.10	0.00	24.60	12.30	0.01
		67 (19)	32.80	19.80	0.01	29.80	18.20	0.01	26.30	16.40	0.01	22.40	14.60	0.02	18.10	12.60	0.02
		62 (17)	27.20	20.50	0.02	24.00	18.70	0.02	20.50	16.90	0.02	16.60	15.00	0.02	13.10	13.10	0.05
	800	72 (22)	47.10	22.80	0.00	43.60	21.10	0.00	39.60	19.30	0.00	35.00	17.30	0.02	29.90	15.10	0.02
		67 (19)	39.80	24.20	0.03	36.10	22.30	0.03	32.00	20.30	0.03	27.30	18.10	0.03	22.00	15.90	0.03
		62 (17)	33.10	25.40	0.03	29.30	23.40	0.03	25.10	21.20	0.03	20.50	19.00	0.04	16.70	16.70	0.09
	1000	72 (22)	53.40	25.90	0.00	49.50	24.20	0.00	45.10	22.10	0.02	40.00	19.90	0.03	34.10	17.50	0.04
		67 (19)	45.30	27.90	0.05	41.20	25.90	0.05	36.60	23.70	0.05	31.30	21.30	0.05	25.20	18.70	0.05
		62 (17)	37.80	29.60	0.05	33.60	27.40	0.05	28.80	25.10	0.05	23.80	22.70	0.06	20.00	20.00	0.13
30	750	72 (22)	48.00	23.50	0.00	44.00	21.40	0.00	39.70	19.20	0.00	34.80	17.00	0.00	29.40	14.60	0.01
		67 (19)	40.30	24.20	0.01	36.20	22.00	0.02	31.80	19.70	0.02	26.80	17.40	0.02	21.40	15.00	0.02
		62 (17)	33.20	24.80	0.02	29.10	22.50	0.02	24.60	20.20	0.02	19.90	17.90	0.02	15.60	15.60	0.05
	1000	72 (22)	58.70	28.50	0.00	53.90	26.10	0.00	48.50	23.60	0.00	42.50	20.90	0.02	35.80	18.10	0.03
		67 (19)	49.40	29.90	0.03	44.40	27.30	0.03	38.90	24.60	0.04	32.90	21.70	0.04	26.20	18.80	0.04
		62 (17)	40.80	30.90	0.04	35.80	28.20	0.04	30.30	25.40	0.04	24.60	22.60	0.05	19.90	19.90	0.10
	1250	72 (22)	67.40	32.70	0.00	61.90	30.10	0.00	55.70	27.30	0.02	48.80	24.20	0.04	41.10	21.00	0.05
		67 (19)	56.80	34.70	0.05	51.20	31.80	0.06	44.90	28.70	0.06	37.80	25.50	0.06	30.10	22.20	0.06
		62 (17)	47.10	36.30	0.06	41.30	33.20	0.06	35.00	30.10	0.06	28.60	27.00	0.07	23.70	23.70	0.14
36	900	72 (22)	58.10	28.30	0.00	53.40	25.90	0.00	48.00	23.30	0.00	42.10	20.60	0.01	35.50	17.80	0.02
		67 (19)	48.90	29.50	0.02	44.00	26.90	0.03	38.50	24.20	0.03	32.50	21.30	0.03	25.90	18.40	0.03
		62 (17)	40.40	30.40	0.03	35.40	27.70	0.03	29.90	24.90	0.03	24.20	22.10	0.04	19.40	19.40	0.08
	1200	72 (22)	70.00	33.90	0.00	64.30	31.20	0.00	57.80	28.30	0.02	50.70	25.10	0.04	42.70	21.80	0.05
		67 (19)	58.90	35.90	0.05	53.10	32.90	0.05	46.50	29.70	0.05	39.30	26.40	0.06	31.20	22.90	0.06
		62 (17)	48.80	37.50	0.06	42.80	34.30	0.06	36.30	31.00	0.06	29.60	27.80	0.06	24.40	24.40	0.13
	1500	72 (22)	79.30	38.60	0.00	72.90	35.60	0.02	65.70	32.30	0.05	57.50	28.80	0.06	48.50	25.10	0.07
		67 (19)	67.00	41.30	0.08	60.40	38.00	0.08	53.00	34.40	0.08	44.70	30.70	0.08	35.50	26.80	0.09
		62 (17)	55.70	43.60	0.09	48.80	40.00	0.09	41.60	36.50	0.09	34.20	32.90	0.10	28.80	28.80	0.18
42	1050	72 (22)	74.40	36.30	0.00	68.10	33.10	0.00	61.20	29.70	0.00	53.50	26.20	0.01	45.00	22.60	0.02
		67 (19)	62.30	37.60	0.02	56.00	34.20	0.03	48.90	30.60	0.03	41.20	27.00	0.03	32.80	23.30	0.03
		62 (17)	51.40	38.60	0.03	44.90	35.00	0.03	37.90	31.40	0.03	30.60	27.80	0.04	24.40	24.40	0.08
	1400	72 (22)	90.20	43.80	0.00	82.60	40.10	0.00	74.10	36.20	0.01	64.70	32.00	0.04	54.40	27.60	0.05
		67 (19)	75.80	46.00	0.05	68.00	42.00	0.05	59.40	37.70	0.06	50.00	33.40	0.06	39.60	28.90	0.06
		62 (17)	62.60	47.70	0.06	54.70	43.50	0.06	46.20	39.20	0.06	37.50	35.00	0.07	30.70	30.70	0.13
	1750	72 (22)	103.00	50.00	0.00	94.30	46.00	0.00	84.60	41.50	0.05	73.90	36.80	0.06	62.00	32.00	0.07
		67 (19)	86.70	53.10	0.08	77.80	48.60	0.08	68.00	43.90	0.08	57.10	39.00	0.08	45.20	33.90	0.09
		62 (17)	71.70	55.70	0.09	62.70	50.90	0.09	53.10	46.20	0.09	43.40	41.50	0.10	36.30	36.30	0.18
48	1200	72 (22)	79.30	38.70	0.00	72.90	35.40	0.00	65.70	31.90	0.00	57.70	28.20	0.00	48.80	24.40	0.01
		67 (19)	66.60	40.20	0.02	60.00	36.60	0.02	52.70	32.90	0.02	44.60	29.10	0.02	35.70	25.10	0.03
		62 (17)	55.00	41.30	0.03	48.30	37.60	0.03	40.90	33.80	0.03	33.10	30.00	0.03	26.30	26.30	0.07
	1600	72 (22)	96.00	46.60	0.00	88.30	42.90	0.00	79.60	38.90	0.00	69.90	34.50	0.03	59.10	30.00	0.04
		67 (19)	80.90	49.20	0.04	72.90	45.00	0.04	64.10	40.70	0.05	54.20	36.10	0.05	43.30	31.40	0.05
		62 (17)	67.00	51.20	0.05	58.80	46.80	0.05	49.90	42.30	0.05	40.70	37.90	0.05	33.30	33.30	0.11
	2000	72 (22)	109.40	53.10	0.00	100.70	49.10	0.00	90.90	44.60	0.03	79.90	39.80	0.05	67.50	34.70	0.06
		67 (19)	92.40	56.70	0.06	83.40	52.20	0.07	73.30	47.40	0.07	62.00	42.20	0.07	49.50	36.90	0.07
		62 (17)	76.70	59.70	0.07	67.50	54.90	0.08	57.40	49.90	0.08	47.20	44.90	0.08	39.50	39.50	0.16
60	1600	72 (22)	103.20	50.40	0.00	94.40	45.90	0.00	84.80	41.10	0.00	74.10	36.30	0.00	62.40	31.20	0.02
		67 (19)	86.40	52.10	0.02	77.50	47.20	0.02	67.80	42.30	0.02	57.10	37.20	0.03	45.40	32.10	0.03
		62 (17)	71.20	53.30	0.03	62.20	48.30	0.03	52.40	43.30	0.03	42.30	38.30	0.03	33.50	33.50	0.07
	2000	72 (22)	120.70	58.70	0.00	110.40	53.60	0.00	99.00	48.20	0.00	86.40	42.50	0.02	72.60	36.70	0.03
		67 (19)	101.20	61.30	0.03	90.70	55.70	0.04	79.20	50.00	0.04	66.60	44.10	0.04	52.80	38.10	0.05
		62 (17)	83.40	63.20	0.05	72.80	57.40	0.05	61.40	51.60	0.05	49.70	46.00	0.05	40.30	40.30	0.11
	2400	72 (22)	135.60	65.80	0.00	124.10	60.30	0.00	111.20	54.40	0.01	97.00	48.00	0.04	81.30	41.50	0.05
		67 (19)	113.90	69.30	0.05	102.10	63.20	0.06	89.10	56.90	0.06	74.80	50.30	0.06	59.20	43.60	0.06
		62 (17)	94.10	72.10	0.06	82.10	65.70	0.06	69.30	59.30	0.06	56.40	53.00	0.07	46.50	46.50	0.14

Legend:

CFM – Cubic Ft. per Minute EWB – Entering Wet Bulb LWB – Leaving Wet Bulb TC – Gross Cooling Capacity 1000 Btuh
 SHC – Gross Sensible Capacity 1000 Btuh BF – Bypass Factor MBH – 1000 Btuh

See notes following.

NOTES:

1. Contact manufacturer for cooling capacities at conditions other than shown in table.
2. Formulas:

$$\text{Leaving db} = \text{entering db} - \frac{\text{sensible heat cap.}}{1.09 \times \text{CFM}}$$

$$\text{Leaving wb} = \text{wb corresponding to enthalpy of air leaving coil (h}_{LWB})$$

$$h_{LWB} = h_{EWB} - \frac{\text{total capacity (Btuh)}}{4.5 \times \text{CFM}}$$
 Where h_{EWB} = enthalpy of air entering coil
3. SHC is based on 80°F (27°C) db temperature of air entering the evaporator coil.
 Below 80°F (27°C) db, subtract (Correction Factor x CFM) from SHC.
 Above 80°F (27°C) db, add (Correction Factor x CFM) to SHC.
4. Direct interpolation is permissible. Do not extrapolate.
5. Fan motor heat has not been deducted.
6. All data points are based on 10°F (-12°C) superheat leaving coil and use of thermostatic expansion valve (TXV) device.
7. The WLNH coils can be used in any properly designed system using R-410A refrigerant.
8. Before using maximum cfm shown in table, check coil static pressure drop to ensure system blower can provide necessary static pressure needed for coil and duct systems.
9. Bypass Factor = 0 indicates no psychometric solution. Use bypass factor of next lower EWB for approximation.

BYPASS FACTOR	ENTERING AIR DRY BULB TEMPERATURE °F (°C)						Use formula shown below
	79 (26)	78 (26)	77 (25)	76 (24)	75 (24)	Under 75 (24)	
	81 (27)	82 (28)	83 (28)	84 (29)	84 (29)	Above 85 (29)	
Correction Factor							
0.10	0.98	1.96	2.94	3.92	4.91		
0.20	0.87	1.74	2.62	3.49	4.36		
0.30	0.76	1.53	2.29	3.05	3.82		

Interpolation is permissible.

Correction Factor = 1.09 x (1 - BF) x (db - 80)

COIL STATIC PRESSURE DROP (in. w.c.)																			
UNIT SIZE	Standard CFM																		
	400	500	600	700	800	900	1000	1100	1200	1300	1400	1500	1600	1700	1800	1900	2000	2100	2200
24*B	Dry																		
	0.048	0.068	0.090	0.112	0.140	0.170	0.203												
30*B	Wet																		
	0.064	0.091	0.122	0.150	0.188	0.224	0.263												
36*B	Dry																		
	0.042	0.060	0.080	0.102	0.128	0.157	0.188	0.222	0.259										
42*C	Wet																		
	0.055	0.076	0.104	0.127	0.158	0.190	0.225	0.266	0.309										
48*C	Dry																		
	0.043	0.061	0.082	0.103	0.128	0.157	0.189	0.221	0.259	0.299	0.341								
60*D	Wet																		
	0.056	0.079	0.107	0.133	0.166	0.200	0.236	0.276	0.315	0.361	0.413								
48*C	Dry																		
	0.030	0.041	0.054	0.066	0.082	0.099	0.118	0.137	0.158	0.180	0.205	0.231	0.259						
60*D	Wet																		
	0.043	0.059	0.078	0.101	0.126	0.153	0.181	0.207	0.234	0.260	0.288	0.319	0.354						
48*C	Dry																		
			0.047	0.060	0.075	0.092	0.110	0.130	0.152	0.176	0.204	0.230	0.256	0.284	0.318				
60*D	Wet																		
			0.053	0.067	0.085	0.104	0.125	0.147	0.172	0.200	0.228	0.259	0.292	0.327	0.365				
60*D	Dry																		
					0.062	0.073	0.084	0.097	0.111	0.126	0.138	0.154	0.172	0.190	0.210	0.228	0.251	0.273	0.293
60*D	Wet																		
					0.082	0.096	0.112	0.129	0.145	0.163	0.171	0.191	0.212	0.235	0.258	0.283	0.310	0.336	0.366

* = 4 (R-410A).