

**HEAT PUMP  
EFFICIENT 13 SEER  
1-1/2 THRU 5 TONS SPLIT SYSTEM  
ENVIRONMENTALLY SOUND  
R-410A REFRIGERANT  
208 / 230 Volt, 1-phase, 60 Hz**



Use of the AHRI Certified TM Mark indicates a manufacturer's participation in the program. For verification of certification for individual products, go to [www.ahridirectory.org](http://www.ahridirectory.org).



**WCH3\*\*4**

Model Number	Size (tons)	Nominal BTU/hr	Min. Circuit Ampacity	Max. Fuse or Breaker	Operating Dimensions L x W x H in. (mm)	Operating/Ship Weight lbs.(kg)
WCH3184GKB	1-1/2	18,000	11.8	20	23-1/8 x 23-1/8 x 28-7/16 (587 x 587 x 722)	119/137 (54/62)
WCH3194GKC			11.8		23-1/8 x 23-1/8 x 35-3/16 ((587 x 587 x 894)	134/159 (61/72)
WCH3244GKB	2	24,000	16.8	25	23-1/8 x 23-1/8 x 31-13/16 (587 x 587 x 808)	124/142 (56/64)
WCH3254GKC			17.7		31-3/16 x 31-3/16 x 28-7/16 (792 x 792 x 722)	162/189 (73/86)
WCH3304GKB	2-1/2	30,000	21.1	30	31-3/16 x 31-3/16 x 28-7/16 (792 x 792 x 722)	149/170 (68/77)
WCH3314GKC			20.8		31-3/16 x 31-3/16 x 29-1/8 (792 x 792 x 994)	186/215 (84/98)
WCH3364GKC	3	36,000	20.6	35	31-3/16 x 31-3/16 x 31-13/16 (792 x 792 x 808)	169/189 (77/86)
WCH3374GKC			20.2		31-3/16 x 31-3/16 x 39-1/8 (792 x 792 x 994)	189/218 (86/99)
WCH3424GKC	3-1/2	42,000	23.9	40	31-3/16 x 31-3/16 x 31-13/16 (792 x 792 x 808)	180/200 (82/91)
WCH3434GKC			26.0		31-13/16 x 31-3/16 x 28-7/16 (792 x 792 x 722)	225/250 (102/113)
WCH3484GKC	4	48,000	28.7	45	31-3/16 x 31-3/16 x 28-7/16 (792 x 792 x 722)	208/228 (95/104)
WCH3494GKC			28.7	50	31-3/16 x 31-3/16 x 28-7/16 (792 x 792 x 722)	240/273 (109/124)
WCH3604GKC	5	60,000	34.8	50	31-3/16 x 31-3/16 x 31-13/16 (792 x 792 x 808)	224/248 (102/113)
WCH3614GKC			34.1		35 x 35 x 28-15/16 (889 x 889 x 735)	250/282 (114/128)

**ALL MODELS**

**REFRIGERATION CIRCUIT**

- Scroll compressors on all models
- Suction line accumulator factory installed
- Integrated solid state control with Time-Temperature Defrost
- High and Low pressure switches
- Copper tube / aluminum fin coil
- Factory supplied liquid line filter drier

**EASY TO INSTALL AND SERVICE**

- Easy Access service valves on all models
- External high and low refrigerant service ports
- Only two screws to access control panel
- Factory charged with R-410A refrigerant

**BUILT TO LAST**

- Pre-painted cabinet finish over galvanized steel
- Coated inlet grille with 3/8" (10mm) grille spacing for extra protection (hail guard)

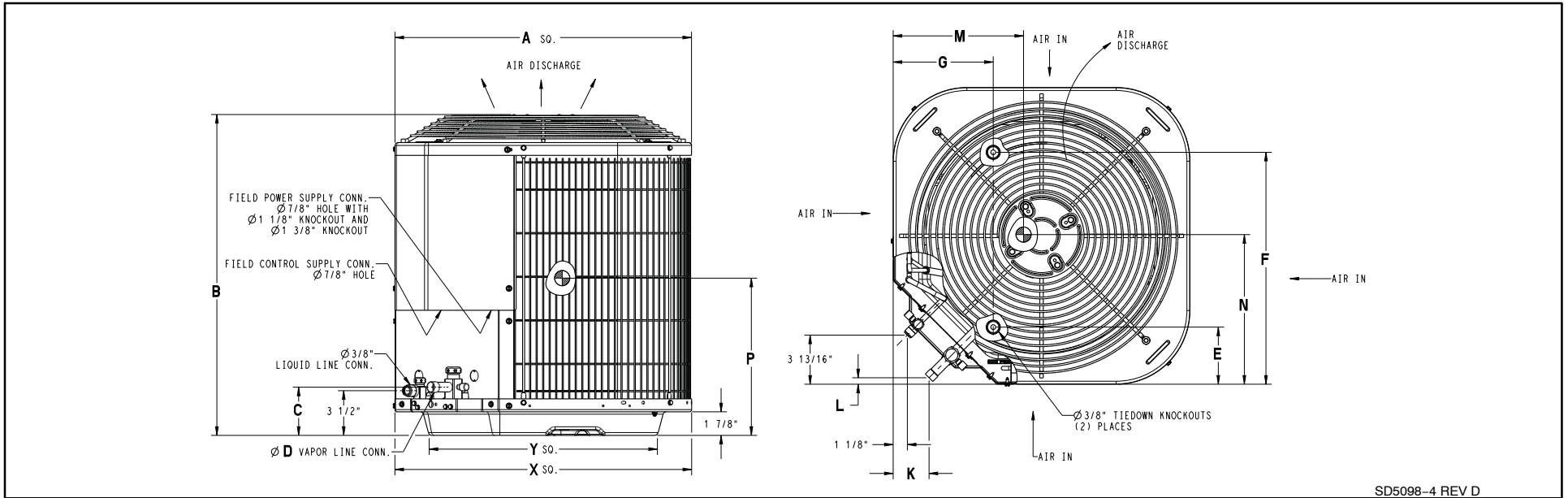
**LIMITED WARRANTY**

- 1 year unit replacement limited warranty
- 5 year compressor (with an additional 5 years compressor if properly registered) limited warranty to the original purchaser only for owner-occupied dwellings – see warranty certificate for details.
- 5 year parts (with an additional 5 years parts if properly registered) limited warranty to the original purchaser only for owner-occupied dwellings – see warranty certificate for details.

**Product Specifications**

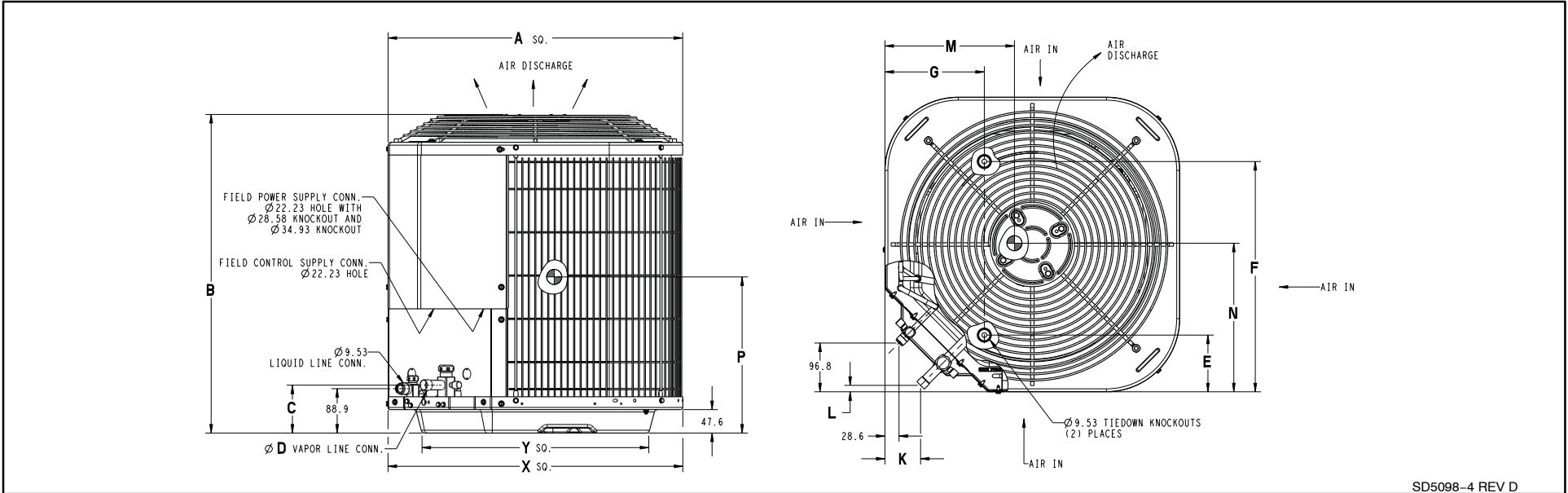
OUTDOOR UNIT MODEL NUMBER IDENTIFICATION GUIDE (single phase)										
Digit Position:	1,2	3	4	5,6	7	8	9	10	11	
Example Part Number:	<b>WC</b>	<b>H</b>	<b>3</b>	<b>24</b>	<b>4</b>	<b>G</b>	<b>K</b>	<b>B</b>	<b>1</b>	
WC = Condensing Unit		H = Heat Pump	3 = 13 SEER 4 = 14 SEER	18 = 18,000 BTUH = 1-1/2 tons 19 = 18,000 BTUH = 1-1/2 tons 24 = 24,000 BTUH = 2 tons 25 = 24,000 BTUH = 2 tons 30 = 30,000 BTUH = 2-1/2 tons 31 = 30,000 BTUH = 2-1/2 tons 36 = 36,000 BTUH = 3 tons 37 = 36,000 BTUH = 3 tons 42 = 42,000 BTUH = 3-1/2 tons 43 = 42,000 BTUH = 3-1/2 tons 48 = 48,000 BTUH = 4 tons 49 = 48,000 BTUH = 4 tons 60 = 60,000 BTUH = 5 tons 61 = 60,000 BTUH = 5 tons	4 = 14 SEER	G = Coil Guard Grille	K = 208/230-1-60	B = 2nd Generation	1 = 1st Generation	1 = 1st Generation
A = Air Conditioner										
A = Standard Grille										
G = Coil Guard Grille										
K = 208/230-1-60										
Sales Code										
Extra Digit										

ACCESSORIES PART NUMBER IDENTIFICATION GUIDE									
Digit Position:	1	2	3	4	5	6, 7	8, 9	10, 11	
Example Part Number:	<b>N</b>	<b>A</b>	<b>S</b>	<b>A</b>	<b>0</b>	<b>01</b>	<b>01</b>	<b>CH</b>	
N = Non-Branded		A = Accessory		S = Split System (AC & HP)		A = Original		B = 2nd Generation	
		BRANDING		PRODUCT GROUP		KIT USAGE		MAJOR SERIES	
0 = Generic or Not Applicable									
2 = R-22									
4 = R-410A								REFRIGERANT	
Product Identifier Number									
Package Quantity									
Type of Kit (Example: CH = Crankcase Heater)									



1. Allow 24" clearance to service side of unit, 48" above unit, 6" on one side, 12" on remaining sides.
2. Maintain a distance of 24" between units or 18" if no overhang within 12'.
3. Minimum outdoor operating ambient in cooling mode is 55°F, max 125°F.
4. Center of Gravity

Model	All Dimensions Inches (English)												Minimum Ground Mounting Pad Size - X	Minimum Rooftop Mounting Pad Size - Y	Crated Dimensions L x W x H
	A	B	C	D	E	F	G	K	L	M	N	P			
WCH3184GKB	23-1/8	28-7/16	3-3/4	5/8	4-7/16	18-1/16	7-13/16	2-13/16	1/2	11-1/2	10-1/2	11-1/2	23-1/8 x 23-1/8	17-3/4 x 17-3/4	24-1/8 x 24-1/8 x 30-5/8
WCH3194GKC	23-1/8	35-3/16	3-3/4	5/8	4-7/16	18-1/16	7-13/16	2-13/16	1/2	11-1/2	10-1/2	13-1/2	23-1/8 x 23-1/8	23-1/2 x 23-1/2	24-1/8 x 24-1/8 x 37-1/4
WCH3244GKB	23-1/8	31-13/16	3-3/4	3/4	4-7/16	18-1/16	7-13/16	2-13/16	1/2	11-1/2	10-1/2	12-1/2	23-1/8 x 23-1/8	17-3/4 x 17-3/4	24-1/8 x 24-1/8 x 34
WCH3254GKC	31-3/16	28-7/16	3-3/4	5/8	6-9/16	24-11/16	9-1/8	2-13/16	1/2	15-5/8	16-3/4	14-1/2	31-3/16 x 31-3/16	23 x 23	32-1/4 x 32-1/4 x 30-3/8
WCH3304GKB	31-3/16	28-7/16	3-3/4	3/4	6-9/16	24-11/16	9-1/8	2-15/16	5/8	15	15	11-1/2	31-3/16 x 31-3/16	23 x 23	32-3/16 x 32-3/16 x 30-5/8
WCH3314GKC	31-3/16	39-1/8	3-3/4	3/4	6-9/16	24-11/16	9-1/8	2-15/16	1/2	15-5/8	16-3/4	17	31-3/16 x 31-3/16	23 x 23	32-1/4 x 32-1/4 x 40-5/8
WCH3364GKC	31-3/16	31-13/16	3-7/8	7/8	6-9/16	24-11/16	9-1/8	2-15/16	5/8	15	15	12-1/2	31-3/16 x 31-3/16	23 x 23	32-3/16 x 32-3/16 x 34
WCH3374GKC	31-3/16	39-1/8	3-3/4	3/4	6-9/16	24-11/16	9-1/8	2-15/16	1/2	15-5/8	16-3/4	17	31-3/16 x 31-3/16	23 x 23	32-1/4 x 32-1/4 x 40-5/8
WCH3424GKC	31-3/16	31-13/16	3-7/8	7/8	6-9/16	24-11/16	9-1/8	2-15/16	5/8	15	15	12-1/2	31-3/16 x 31-3/16	23 x 23	32-3/16 x 32-3/16 x 34
WCH3434GKC	31-3/16	28-7/16	3-7/8	7/8	6-9/16	24-11/16	9-1/8	2-15/16	5/8	15	15	11-1/2	31-3/16 x 31-3/16	23 x 23	32-1/4 x 32-1/4 x 30-3/8
WCH3484GKC	31-3/16	28-7/16	3-7/8	7/8	6-9/16	24-11/16	9-1/8	2-15/16	5/8	15	15	11-1/2	31-3/16 x 31-3/16	23 x 23	32-3/16 x 32-3/16 x 30-5/8
WCH3494GKC	31-3/16	31-13/16	3-7/8	7/8	6-9/16	24-11/16	9-1/8	2-15/16	5/8	15	15	12-1/2	31-3/16 x 31-3/16	23 x 23	32-1/4 x 32-1/4 x 34
WCH3604GKC	31-3/16	31-13/16	3-7/8	7/8	6-9/16	24-11/16	9-1/8	2-15/16	5/8	15	15	12-1/2	31-3/16 x 31-3/16	23 x 23	32-3/16 x 32-3/16 x 34
WCH3614GKC	35	28-15/16	3-7/8	7/8	6-9/16	28-7/16	9-1/8	2-15/16	5/8	17	16	12	35 x 35	26-3/4 x 36-3/4	37-1/8 x 37-1/8 x 30



SD5098-4 REV D

1. Allow 610 mm clearance to service side of unit, 1219 mm above unit, 152 mm on one side, 305 mm on remaining sides.
2. Maintain a distance of 610 mm between units or 457 mm if no overhang within 3.7 m.
3. Minimum outdoor operating ambient in cooling mode is 13°C, max 52°C.
4. Center of Gravity

Model	Dimensions mm (SI Metric)												Minimum Ground Mounting Pad Size - X	Minimum Rooftop Mounting Pad Size - Y	Crated Dimensions L x W x H
	A	B	C	D	E	F	G	K	L	M	N	P			
WCH3184GKB	587	722	95	16	113	459	198	71	13	292	267	292	587 x 587	451 x 451	613 x 613 x 778
WCH3194GKB	587	893	95	16	113	459	198	71	13	292	237	434	587 x 587	451 x 451	613 x 613 x 944
WCH3244GKB	587	808	95	19	113	459	198	71	13	292	267	318	587 x 587	451 x 451	613 x 613 x 864
WCH3254GKC	792	722	95	16	167	627	232	71	13	397	425	368	792 x 792	583 x 583	818 x 818 x 771
WCH3304GKB	792	722	95	19	167	627	232	75	16	381	381	292	792 x 792	583 x 583	818 x 818 x 778
WCH3314GKC	792	994	95	19	167	627	232	75	13	397	425	432	792 x 792	583 x 583	818 x 818 x 1031
WCH3364GKC	792	808	98	22	167	627	232	75	16	381	381	318	792 x 792	583 x 583	818 x 818 x 864
WCH3374GKC	792	994	95	19	167	627	232	75	13	397	425	432	792 x 792	583 x 583	818 x 818 x 1031
WCH3424GKC	792	808	98	22	167	627	232	75	16	381	381	318	792 x 792	583 x 583	818 x 818 x 864
WCH3434GKC	792	722	98	22	167	627	232	75	16	381	381	292	792 x 792	583 x 583	818 x 818 x 771
WCH3484GKC	792	722	98	22	167	627	232	75	16	381	381	292	792 x 792	583 x 583	818 x 818 x 778
WCH3494GKC	792	808	98	22	167	627	232	75	16	381	381	318	792 x 792	583 x 583	818 x 818 x 864
WCH3604GKC	792	808	98	22	167	627	232	75	16	381	381	318	792 x 792	583 x 583	818 x 818 x 864
WCH3614GKC	889	735	98	22	167	722	232	75	16	432	406	305	889 x 889	680 x 680	943 x 943 x 762

PHYSICAL DATA							
MODEL SIZE	18	24	30	36	42	48	60
Nominal Cooling Capacity (BTU/hr)	18,000	24,000	30,000	36,000	42,000	48,000	60,000
Nominal SEER	13.0	13.0	13.0	13.0	13.0	13.0	13.0
ELECTRICAL DATA (208/230-1-60, voltage range 197V-253V)							
Minimum Circuit Ampacity – MCA (amps)	11.8	16.8	21.1	20.6	23.9	28.7	34.8
Maximum OverCurrent Protective device – MOCP (amps)	20	25	30	35	40	45	50
Compressor RLA (Rated Load Amps) LRA (Locked Rotor Amps)	9.0 48.0	12.8 58.3	16.0 77.0	15.6 70.0	18.0 96.0	21.8 99.0	26.7 120.0
FAN MOTOR							
Fan Motor FLA (Full Load Amps)	0.5	0.77	1.1	1.1	1.4	1.4	1.4
PSC Fan Motor HP	1/12	1/10	1/5	1/5	1/4	1/4	1/4
Fan RPM (single speed)	1100	1100	1100	1100	1100	1100	1100
Fan CFM	1800	2100	3000	3000	3400	3400	3400
REFRIGERANT DATA							
Liquid Line Connection Size in. (mm)	3/8 (10)	3/8 (10)	3/8 (10)	3/8 (10)	3/8 (10)	3/8 (10)	3/8 (10)
Vapor Line Connection Size in. (mm)	5/8 (16)	3/4 (19)	3/4 (19)	7/8 (22)	7/8 (22)	7/8 (22)	7/8 (22)
Recommended Line Set Liquid Tube Diameter in. (mm)	3/8 (10)	3/8 (10)	3/8 (10)	3/8 (10)	3/8 (10)	3/8 (10)	3/8 (10)
Recommended Line Set Vapor Tube Diameter in. (mm)	5/8 (16)*	3/4 (19)*	3/4 (19)*	7/8 (22)*	7/8 (22)*	7/8 (22)*	1-1/8 (29)*
Factory Charge R-410A lbs. (kg)	4.0 (1.81)	5.11 (2.32)	5.83 (2.64)	6.06 (2.75)	6.75 (3.06)	7.72 (3.50)	9.40 (4.26)
Required Subcooling °F (°C)	13 (7)	13 (7)	9 (5)	14 (7.5)	15 (8)	17 (9)	18 (10)
Coil Face Area ft <sup>2</sup> (m <sup>2</sup> )	9.8 (0.91)	11.2 (1.04)	15.0 (1.39)	17.2 (1.59)	17.2 (1.59)	15.0 (1.39)	17.2 (1.59)
Coil Rows – fins per inch	1 – 20	1 – 20	1 – 20	1 – 20	1 – 20	2 – 20	2 – 20

\* Recommended Vapor Tube Line size is for standard installations. These recommendations may not apply to “Long Line” installations. When the total equivalent line length exceeds 80 feet (24.4m) or there is more than 20 feet (6.1m) vertical separation between indoor and outdoor units, consult the Long Line Application Guideline document before purchasing/installing line sets.

WCH3: A-Weighted Sound Power Level - Without Sound Shield								
Model	Standard Rating (dBA)	Typical Octave Band Spectrum (without tone adjustment)						
		125	250	500	1000	2000	4000	8000
WCH3184GKB	71	50.5	58.5	64.5	66.0	64.0	57.5	52.0
WCH3244GKB	71	51.5	60.0	64.5	66.0	64.0	60.0	56.5
WCH3304GKB	74	53.5	63.0	68.0	69.5	66.5	63.5	58.0
WCH3364GKC	74	54.5	61.0	68.0	68.5	65.5	64.0	58.5
WCH3424GKC	77	53.0	64.5	70.0	72.0	69.5	67.5	60.0
WCH3484GKC	78	58.0	66.0	71.5	73.0	71.5	68.0	61.0
WCH3604GKC	79	58.0	66.0	71.0	73.0	72.5	68.0	61.0

Note: Tested in accordance with AHRI Standard 270-2008 (not listed in AHRI).

WCH3: A-Weighted Sound Power Level - With Sound Shield								
Model	Standard Rating (dBA)	Typical Octave Band Spectrum (without tone adjustment)						
		125	250	500	1000	2000	4000	8000
WCH3184GKB	70	51.0	60.0	65.0	65.0	62.0	57.0	50.5
WCH3244GKB	70	51.0	60.0	64.5	65.5	63.0	59.5	53.5
WCH3304GKB	73	53.5	63.0	68.5	68.5	66.0	63.0	56.5
WCH3364GKC	73	54.5	60.5	67.0	68.0	65.5	63.0	57.5
WCH3424GKC	76	54.0	63.5	70.5	71.5	69.0	66.0	59.0
WCH3484GKC	78	59.0	66.0	72.0	73.0	71.5	67.5	60.5
WCH3604GKC	78	59.0	66.0	71.0	72.5	71.0	67.5	60.5

Note: Tested in accordance with AHRI Standard 270-2008 (not listed in AHRI).

PHYSICAL DATA							
MODEL SIZE	19	25	31	37	43	49	61
Nominal Cooling Capacity (BTU/hr)	18,000	24,000	30,000	36,000	42,000	48,000	60,000
Nominal SEER	13.0	13.0	13.0	13.0	13.0	13.0	13.0
ELECTRICAL DATA (208-230-1-60, voltage range 197V-253V)							
Minimum Circuit Ampacity – MCA (amps)	11.8	17.7	20.8	20.4	26.0	28.7	34.1
Maximum OverCurrent Protective device – MOCP (amps)	20	25	30	35	40	50	50
Compressor RLA (Rated Load Amps) LRA (Locked Rotor Amps)	9.0 48.0	13.5 58.3	16.0 77.0	15.3 70.0	19.9 109.0	21.8 117.0	26.3 134.0
FAN MOTOR							
Fan Motor FLA (Full Load Amps)	0.50	0.75	.75	1.10	1.10	1.40	1.20
PSC Fan Motor HP	1/12	1/10	1/10	1/5	1/5	1/4	1/4
Fan RPM (single speed)	1100	1100	1100	1100	1100	1100	800
Fan CFM	1700	2614	2614	3365	2614	3365	4046
REFRIGERANT DATA							
Liquid Line Connection Size in. (mm)	3/8 (10)	3/8 (10)	3/8 (10)	3/8 (10)	3/8 (10)	3/8 (10)	3/8 (10)
Vapor Line Connection Size in. (mm)	5/8 (16)	5/8 (16)	3/4 (19)	3/4 (19)	7/8 (22)	7/8 (22)	7/8 (22)
Recommended Line Set Liquid Tube Diameter in. (mm)	3/8 (10)	3/8 (10)	3/8 (10)	3/8 (10)	3/8 (10)	3/8 (10)	3/8 (10)
Recommended Line Set Vapor Tube Diameter in. (mm)	5/8 (16)*	5/8 (16)*	3/4 (19)*	3/4 (19)*	7/8 (22)*	7/8 (22)*	1-1/8 (29)*
Piston Size – Indoor Cooling (shipped loose with heat pump)	49	57	70	73	78	84	TXV
Piston Size – Outdoor Heating (shipped in liquid service valve)	42	42	55	57	65	70	76
Factory Charge R-410A lbs. (kg)	5.3 (2.40)	6.75 (3.06)	7.50 (3.40)	7.60 (3.45)	8.90 (4.03)	10.50 (4.76)	11.00 (4.99)
Required Subcooling °F (°C)	11 (6)	11 (6)	10 (6)	10 (6)	11 (6)	15 (8)	15 (8)
Coil Face Area ft <sup>2</sup> (m <sup>2</sup> )	12.6 (1.17)	15.1 (1.46)	21.6 (2.00)	21.6 (2.00)	15.1 (1.46)	17.2 (1.60)	17.6 (1.63)
Coil Rows – fins per inch	1 – 25	1 – 20	1 – 20	1 – 20	2 – 20	2-20	2 – 20

\* Recommended Vapor Tube Line size is for standard installations. These recommendations may not apply to “Long Line” installations. When the total equivalent line length exceeds 80 feet (24.4m) or there is more than 20 feet (6.1m) vertical separation between indoor and outdoor units, consult the Long Line Application Guideline document before purchasing/installing line sets.

WCH3: A-Weighted Sound Power Level - Without Sound Shield								
Model	Standard Rating (dBA)	Typical Octave Band Spectrum (dBA without pure tone adjustment)						
		125	250	500	1000	2000	4000	8000
WCH3194GKC	70	50.0	58.0	63.5	65.5	60.0	57.0	52.0
WCH3254GKC	74	52.5	61.5	68.0	70.0	67.0	63.5	58.5
WCH3314GKC	74	49.5	59.5	65.0	70.5	66.0	64.5	60.0
WCH3374GKC	72	53.0	60.0	66.5	67.5	65.0	63.0	57.5
WCH3434GKC	77	56.0	66.5	70.0	72.0	67.5	64.0	57.0
WCH3494GKC	78	57.0	66.0	71.0	73.5	70.5	67.0	61.0
WCH3614GKC	77	55.0	63.0	67.5	71.5	68.0	64.0	60.5

Note: Tested in accordance with AHRI Standard 270-2008 (not listed in AHRI).

WCH3: A-Weighted Sound Power Level - With Sound Shield								
Model	Standard Rating (dBA)	Typical Octave Band Spectrum (dBA without pure tone adjustment)						
		125	250	500	1000	2000	4000	8000
WCH3194GKC	68	49.5	56.0	62.5	63.5	59.0	56.0	50.5
WCH3254GKC	73	52.5	61.0	67.5	69.0	65.5	62.0	56.5
WCH3314GKC	73	51.5	62.0	66.5	67.5	64.5	62.0	57.5
WCH3374GKC	72	54.5	59.5	66.0	67.0	64.0	62.0	56.5
WCH3434GKC	76	57.0	66.0	70.0	70.5	67.0	63.5	56.5
WCH3494GKC	77	58.0	66.5	71.0	72.5	70.0	66.5	59.5
WCH3614GKC	74	55.0	63.5	67.0	69.0	66.5	62.0	57.0

Note: Tested in accordance with AHRI Standard 270-2008 (not listed in AHRI).

R-410A COOLING CAPACITY LOSS FOR VARIOUS LINE LENGTHS & TUBE DIAMETERS												
Unit Nominal Size	Maximum Liquid Line Diameters in. (mm)	Acceptable Vapor Line Sizes in. (mm)	Cooling Capacity Loss (%)									
			Total Equivalent Line Length, ft (m)									
			Standard Application			Long Line Application Requires Accessories						
			25 (7.6)	50 (15.2)	80 (24.4)	81-100 (25-30)	101-125 (31-38)	126-150 (38-46)	151-175 (46-53)	176-200 (54-61)	201-225 (61-69)	226-250 (69-76)
18 & 19 1 Stage R-410A HP	3/8 (10)	1/2 (13)	1	2	3	3	4	6	7	8	9	10
		5/8 (16)	0	0	1	1	1	1	2	2	3	3
		3/4 (19)	0	0	0	0	0	0	0	1	1	1
24 1 Stage R-410A HP	3/8 (10)	5/8 (16)	0	1	2	2	2	3	4	4	5	5
		3/4 (19)	0	0	0	0	1	1	1	1	2	2
		7/8 (22)	0	0	0	0	0	0	0	1	1	1
25 1 Stage R-410A HP	3/8 (10)	5/8 (16)	0	1	1	1	2	3	3	4	4	5
		3/4 (19)	0	0	0	0	0	1	1	1	1	1
		7/8 (22)	0	0	0	0	0	0	0	0	0	0
30 & 31 1 Stage R-410A HP	3/8 (10)	5/8 (16)	1	2	2	2	3	4	5	6	7	8
		3/4 (19)	0	0	0	1	1	1	2	2	2	3
		7/8 (22)	0	0	0	0	0	1	1	1	1	1
36 1 Stage R-410A HP	3/8 (10)	5/8 (16)	1	2	4	4	5	6	8	9	10	12
		3/4 (19)	0	1	1	1	2	2	3	3	4	4
		7/8 (22)	0	0	0	0	1	1	1	1	2	2
37 1 Stage R-410A HP	3/8 (10)	5/8 (16)	1	2	4	4	5	6	7	9	10	11
		3/4 (19)	0	0	1	1	1	2	2	3	3	4
		7/8 (22)	0	0	1	1	0	1	1	1	1	2
42 & 43 1 Stage R-410A HP	3/8 (10)	3/4 (19)	0	1	2	2	2	3	4	4	5	6
		7/8 (22)	0	0	1	1	1	1	2	2	2	3
		1-1/8 (29)	0	0	0	0	0	0	0	0	0	0
48 & 49 1 Stage R-410A HP	3/8 (10)	3/4 (19)	1	2	2	2	3	4	5	6	7	7
		7/8 (22)	0	1	1	1	2	2	2	3	3	4
		1-1/8 (29)	0	0	0	0	0	0	1	1	1	1
60 & 61 1 Stage R-410A HP	3/8 (10)	3/4 (19)	1	2	3	3	4	6	7	8	9	11
		7/8 (22)	0	1	1	1	2	2	3	4	4	5
		1-1/8 (29)	0	0	0	0	0	0	0	1	1	1

\* Applications are considered "Long Line" if the total equivalent tubing length exceeds 80 feet (24.4m) or there is more than 20 foot (6.1m) vertical separation between indoor and outdoor units. These applications require additional accessories and system modifications for reliable system operation.

Applications in this area are "Long Line". Accessories are required as shown recommended on Long Line Applications Guideline.

Applications in shaded area may have height restrictions that limit allowable total equivalent length when outdoor unit is below indoor unit. See Long Line Applications Guideline.

**EXPANDED COOLING PERFORMANCE RATINGS For Outdoor / Indoor Models**

For complete ratings information, use the AHRI website directory search: [www.AHRIdirectory.org](http://www.AHRIdirectory.org).  
New ratings may be listed online before Specification Sheets are updated.

**EXPANDED COOLING: WCH3184GKB Outdoor Section With WAP\*184A\* Indoor Section**

EVAPORATOR AIR		CONDENSER ENTERING AIR TEMPERATURES deg F																		
		75			85			95			105			115			125			Total System KW 2.13
CFM	EWB	Capacity MBtuh		Total System KW	Capacity MBtuh		Total System KW	Capacity MBtuh		Total System KW	Capacity MBtuh		Total System KW	Capacity MBtuh		Total System KW	Capacity MBtuh			
		Total	Sens		Total	Sens		Total	Sens		Total	Sens		Total	Sens		Total	Sens		
525	57	16.65	16.65	1.22	15.93	15.93	1.37	14.83	14.83	1.52	13.70	13.70	1.70	12.53	12.53	1.90	11.26	11.26	2.13	
	62	17.30	15.33	1.22	16.38	14.89	1.37	15.05	14.24	1.52	13.73	13.73	1.70	12.55	12.55	1.90	11.28	11.28	2.13	
	63	17.67	12.51	1.22	16.71	12.09	1.38	15.42	11.53	1.53	13.80	10.84	1.70	12.20	10.17	1.89	10.50	9.46	2.11	
	67	19.21	13.04	1.23	18.18	12.64	1.39	17.04	12.18	1.56	15.53	11.58	1.73	13.75	10.89	1.92	11.97	10.20	2.14	
	72	21.16	10.63	1.25	20.17	10.28	1.41	19.02	9.88	1.59	17.68	9.38	1.79	16.09	8.82	1.99	14.07	8.12	2.19	
600	57	17.43	17.43	1.24	16.66	16.66	1.39	15.79	15.79	1.56	14.44	14.44	1.72	13.17	13.17	1.92	11.83	11.83	2.15	
	62	17.78	16.48	1.24	16.83	15.99	1.39	15.81	15.81	1.56	14.46	14.46	1.72	13.20	13.20	1.92	11.85	11.85	2.15	
	63	18.10	13.33	1.24	17.09	12.90	1.39	15.97	12.42	1.56	14.16	11.66	1.71	12.51	10.97	1.91	10.78	10.19	2.13	
	67	19.65	13.89	1.25	18.59	13.51	1.41	17.40	13.04	1.58	16.09	12.53	1.77	14.10	11.76	1.94	12.26	11.03	2.16	
	72	21.57	11.12	1.26	20.56	10.79	1.43	19.41	10.41	1.61	18.06	9.95	1.80	16.50	9.40	2.02	14.39	8.68	2.21	
675	57	18.11	18.11	1.25	17.28	17.28	1.41	16.38	16.38	1.58	15.09	15.09	1.75	13.73	13.73	1.94	12.32	12.32	2.17	
	62	18.22	17.49	1.25	17.31	17.31	1.41	16.41	16.41	1.58	15.12	15.12	1.75	13.75	13.75	1.95	12.34	12.34	2.17	
	63	18.46	14.11	1.25	17.39	13.67	1.41	16.24	13.18	1.58	14.48	12.44	1.73	12.78	11.70	1.93	11.09	11.09	2.15	
	67	19.98	14.69	1.26	18.91	14.33	1.42	17.69	13.87	1.60	16.35	13.35	1.79	14.38	12.58	1.96	12.51	11.79	2.18	
	72	21.88	11.57	1.28	20.86	11.27	1.44	19.69	10.90	1.62	18.34	10.46	1.82	16.73	9.90	2.04	14.63	9.20	2.23	

**COOLING MULTIPLIERS FOR COMBINATION RATINGS: WCH3184GKB**

Cooling Indoor Model	Capacity	Power
WAP*184A*	1.00	1.00
WAP*244A*	1.00	1.00
WAHA18**4A*	1.03	0.99
WAHA24**4A*	1.03	0.97
WAH*184A*	1.03	0.99
WAH*244A*	1.03	0.97
WAX*184A*	1.03	0.95
WAX*244A*	1.03	0.97

See Notes following Cooling tables

**EXPANDED COOLING: WCH3194GKC Outdoor Section With FSU4P1800A + TXV Indoor Section**

EVAPORATOR AIR		CONDENSER ENTERING AIR TEMPERATURES deg F																		
		75			85			95			105			115			125			Total System KW 2.13
CFM	EWB	Capacity MBtuh		Total System KW	Capacity MBtuh		Total System KW	Capacity MBtuh		Total System KW	Capacity MBtuh		Total System KW	Capacity MBtuh		Total System KW	Capacity MBtuh			
		Total	Sens		Total	Sens		Total	Sens		Total	Sens		Total	Sens		Total	Sens		
525	72	21.50	10.43	1.23	20.44	10.04	1.40	19.33	9.64	1.57	18.16	9.23	1.77	16.91	8.80	1.99	15.59	8.35	2.25	
	67	19.46	12.79	1.23	18.51	12.40	1.39	17.48	12.00	1.57	16.40	11.58	1.76	15.25	11.14	1.98	14.04	10.68	2.24	
	63	17.97	12.27	1.23	17.09	11.89	1.39	16.14	11.49	1.56	15.13	11.07	1.76	14.05	10.62	1.98	12.91	10.16	2.24	
	62	17.60	15.07	1.23	16.75	14.68	1.38	15.84	14.25	1.56	14.88	13.79	1.76	13.94	13.94	1.98	13.04	13.04	2.24	
	57	16.91	16.91	1.23	16.24	16.24	1.38	15.52	15.52	1.56	14.75	14.75	1.76	13.91	13.91	1.98	13.02	13.02	2.23	
600	72	21.93	10.94	1.26	20.83	10.55	1.42	19.66	10.14	1.60	18.44	9.72	1.79	17.15	9.28	2.02	15.79	8.83	2.27	
	67	19.88	13.62	1.25	18.87	13.23	1.41	17.80	12.82	1.59	16.68	12.39	1.78	15.48	11.93	2.01	14.24	11.46	2.26	
	63	18.37	13.05	1.25	17.44	12.66	1.41	16.46	12.25	1.58	15.40	11.82	1.78	14.28	11.36	2.00	13.11	10.88	2.26	
	62	18.04	16.18	1.25	17.16	15.75	1.41	16.25	16.16	1.58	15.37	15.37	1.78	14.48	14.48	2.00	13.52	13.52	2.26	
	57	17.67	17.67	1.25	16.95	16.95	1.41	16.18	16.18	1.58	15.35	15.35	1.78	14.46	14.46	2.00	13.50	13.50	2.26	
675	72	22.26	11.42	1.28	21.11	11.02	1.44	19.91	10.61	1.62	18.65	10.19	1.82	17.32	9.74	2.04	15.92	9.28	2.30	
	67	20.18	14.41	1.28	19.14	14.01	1.44	18.03	13.59	1.61	16.88	13.15	1.81	15.66	12.68	2.03	14.38	12.19	2.29	
	63	18.68	13.80	1.27	17.71	13.39	1.43	16.68	12.97	1.61	15.60	12.52	1.80	14.45	12.05	2.03	13.26	11.54	2.28	
	62	18.43	17.16	1.27	17.57	17.57	1.43	16.74	16.74	1.61	15.86	15.86	1.80	14.91	14.91	2.03	13.90	13.90	2.28	
	57	18.31	18.31	1.27	17.54	17.54	1.43	16.72	16.72	1.61	15.84	15.84	1.80	14.90	14.90	2.03	13.89	13.89	2.28	

**COOLING MULTIPLIERS FOR COMBINATION RATINGS: WCH3194GKC**

Cooling Indoor Model	Capacity	Power	Cooling Indoor Model	Capacity	Power
FSU4P1800A	1.00	1.00	WAHA24**4A*	1.01	1.03
WAP*184A*	1.01	0.96	WAH*184A*	1.01	0.98
WAP*244A*	1.01	0.96	WAH*244A*	1.02	0.95
WAH*184B*	1.01	0.97	WAX*184A*	1.01	0.93
WAH*244B*	1.01	0.97	WAX*244A*	1.01	0.93
WAHA18**4A*	1.01	1.03			



EXPANDED COOLING: WCH3244GKB Outdoor Section With WAP\*244A\* Indoor Section

EVAPORATOR AIR		CONDENSER ENTERING AIR TEMPERATURES deg F																	
		75			85			95			105			115			125		
CFM	EWB	Capacity MBtuh		Total System KW	Capacity MBtuh		Total System KW	Capacity MBtuh		Total System KW	Capacity MBtuh		Total System KW	Capacity MBtuh		Total System KW	Capacity MBtuh		Total System KW
		Total	Sens		Total	Sens		Total	Sens		Total	Sens		Total	Sens		Total	Sens	
700	57	22.27	22.27	1.62	21.36	21.36	1.82	20.01	20.01	2.01	18.55	18.55	2.25	17.03	17.03	2.51	15.40	15.40	2.81
	62	23.17	20.79	1.63	22.02	20.23	1.83	20.58	19.52	2.03	18.58	18.58	2.25	17.06	17.06	2.51	15.42	15.42	2.81
	63	23.65	16.96	1.63	22.45	16.42	1.83	21.09	15.82	2.05	18.86	14.86	2.25	16.76	13.96	2.50	14.55	13.00	2.79
	67	25.62	17.65	1.66	24.33	17.13	1.86	22.96	16.57	2.09	21.15	15.84	2.32	18.89	14.94	2.55	16.55	14.01	2.83
	72	28.04	14.27	1.70	26.88	13.86	1.91	25.54	13.37	2.14	23.99	12.83	2.40	22.07	12.12	2.68	19.47	11.20	2.92
800	57	23.24	23.24	1.65	22.28	22.28	1.86	21.18	21.18	2.08	19.52	19.52	2.29	17.86	17.86	2.55	16.14	16.14	2.85
	62	23.74	22.26	1.66	22.55	21.65	1.86	21.23	21.23	2.08	19.55	19.55	2.29	17.89	17.89	2.55	16.17	16.17	2.85
	63	24.17	18.01	1.67	22.92	17.47	1.87	21.53	16.86	2.08	19.35	15.93	2.29	17.13	14.97	2.54	14.90	13.98	2.82
	67	26.14	18.72	1.69	24.87	18.26	1.90	23.40	17.68	2.13	21.78	17.03	2.37	19.36	16.08	2.59	16.93	15.10	2.87
	72	28.50	14.87	1.73	27.33	14.48	1.94	25.98	14.01	2.17	24.43	13.49	2.43	22.48	12.81	2.71	19.90	11.92	2.97
900	57	24.05	24.05	1.69	23.03	23.03	1.89	21.91	21.91	2.12	20.37	20.37	2.34	18.61	18.61	2.60	16.76	16.76	2.89
	62	24.25	23.56	1.69	23.07	23.07	1.89	21.94	21.94	2.12	20.40	20.40	2.34	18.64	18.64	2.60	16.81	16.81	2.89
	63	24.60	19.04	1.69	23.29	18.48	1.90	21.88	17.87	2.12	19.70	16.93	2.32	17.49	15.95	2.57	15.23	14.83	2.85
	67	26.54	19.73	1.72	25.26	19.31	1.93	23.76	18.77	2.16	22.10	18.10	2.41	19.74	17.16	2.63	17.27	16.11	2.90
	72	28.85	15.42	1.76	27.68	15.06	1.97	26.31	14.61	2.20	24.75	14.11	2.46	22.87	13.52	2.74	20.25	12.62	3.01

COOLING MULTIPLIERS FOR COMBINATION RATINGS: WCH3244GKB

Cooling Indoor Model			Capacity	Power	Cooling Indoor Model			Capacity	Power
WAP*244A*			1.00	1.00	WAH*244A*			1.03	0.98
WAP*304A*			1.03	0.98	WAH*304A*			1.03	0.96
WAHA24**4A*			1.03	0.98	WAX*244A*			1.03	0.96
WAHA30**4A*			1.03	1.00	WAX*304A*			1.03	0.98

See Notes following Cooling tables

EXPANDED COOLING: WCH3254GKC Outdoor Section With FSM4X3000A Indoor Section

EVAPORATOR AIR		CONDENSER ENTERING AIR TEMPERATURES deg F																	
		75			85			95			105			115			125		
CFM	EWB	Capacity MBtuh		Total System KW	Capacity MBtuh		Total System KW	Capacity MBtuh		Total System KW	Capacity MBtuh		Total System KW	Capacity MBtuh		Total System KW	Capacity MBtuh		Total System KW
		Total	Sens		Total	Sens		Total	Sens		Total	Sens		Total	Sens		Total	Sens	
700	72	26.41	13.24	1.60	25.13	12.76	1.79	23.78	12.27	2.00	22.35	11.76	2.23	20.84	11.23	2.48	19.24	10.67	2.77
	67	23.96	16.38	1.60	22.79	15.91	1.79	21.55	15.41	2.00	20.25	14.89	2.22	18.87	14.35	2.47	17.40	13.78	2.75
	63	22.19	15.74	1.61	21.11	15.27	1.79	19.96	14.77	1.99	18.74	14.25	2.21	17.45	13.70	2.46	16.08	13.13	2.75
	62	21.76	19.43	1.61	20.72	18.94	1.79	19.63	18.40	1.99	18.49	18.36	2.21	17.41	17.41	2.46	16.30	16.30	2.75
	57	21.07	21.07	1.61	20.25	20.25	1.79	19.36	19.36	1.99	18.41	18.41	2.21	17.38	17.38	2.46	16.28	16.28	2.75
800	72	26.88	13.88	1.64	25.54	13.40	1.83	24.13	12.90	2.04	22.65	12.38	2.27	21.09	11.84	2.52	19.43	11.27	2.81
	67	24.40	17.44	1.64	23.17	16.96	1.83	21.89	16.45	2.03	20.53	15.92	2.26	19.10	15.36	2.51	17.60	14.78	2.79
	63	22.61	16.72	1.64	21.48	16.24	1.83	20.28	15.73	2.03	19.01	15.20	2.25	17.68	14.64	2.50	16.27	14.04	2.79
	62	22.25	20.82	1.64	21.18	20.26	1.83	20.13	20.13	2.03	19.11	19.11	2.25	18.01	18.01	2.50	16.84	16.84	2.79
	57	21.94	21.94	1.64	21.05	21.05	1.83	20.10	20.10	2.03	19.08	19.08	2.25	17.99	17.99	2.50	16.81	16.81	2.79
900	72	27.23	14.48	1.67	25.84	14.00	1.87	24.38	13.49	2.08	22.86	12.97	2.31	21.25	12.41	2.56	19.55	11.85	2.84
	67	24.72	18.45	1.67	23.46	17.96	1.86	22.13	17.44	2.07	20.73	16.89	2.29	19.27	16.32	2.55	17.73	15.70	2.83
	63	22.92	17.66	1.68	21.75	17.17	1.86	20.51	16.64	2.06	19.22	16.10	2.29	17.85	15.51	2.54	16.41	14.88	2.82
	62	22.69	22.69	1.68	21.74	21.74	1.86	20.73	20.73	2.07	19.65	19.65	2.29	18.50	18.50	2.54	17.26	17.26	2.83
	57	22.65	22.65	1.68	21.71	21.71	1.86	20.70	20.70	2.07	19.63	19.63	2.29	18.48	18.48	2.54	17.24	17.24	2.83

COOLING MULTIPLIERS FOR COMBINATION RATINGS: WCH3254GKC

Cooling Indoor Model			Capacity	Power	Cooling Indoor Model			Capacity	Power
*FSM4X3000A			1.00	1.00	WAP*244A*			0.99	0.93
W*A*244AA*			1.00	1.00	WAP*304A*			1.01	0.95
W*A*244BA*			1.00	1.00	WAH*244B*			1.00	0.94
W*A*304AA*			1.01	1.01	WAH*304B*			1.02	0.95
W*A*304BA*			1.01	1.01	WAHA24**4A*			1.02	0.95
W*NH244BA*			0.99	0.99	WAHA30**4A*			1.02	0.91
W*NH304BA*			1.01	1.01	WAH*244A*			1.00	0.95
W*NC244AA*			0.99	0.99	WAH*304A*			1.02	0.97
W*NC244BA*			0.99	0.99	WAX*244A*			1.02	0.93
W*NC304AA*			1.01	1.01	WAX*304A*			1.03	0.92
W*NC304BA*			1.01	1.01					

EXPANDED COOLING: WCH3304GKB Outdoor Section With WAP\*304A\* Indoor Section

EVAPORATOR AIR		CONDENSER ENTERING AIR TEMPERATURES deg F																	
		75			85			95			105			115			125		
CFM	EWB	Capacity MBtuh		Total System KW	Capacity MBtuh		Total System KW	Capacity MBtuh		Total System KW	Capacity MBtuh		Total System KW	Capacity MBtuh		Total System KW	Capacity MBtuh		Total System KW
		Total	Sens		Total	Sens		Total	Sens		Total	Sens		Total	Sens		Total	Sens	
875	57	27.18	27.18	2.02	26.03	26.03	2.24	24.78	24.78	2.50	23.39	23.39	2.79	21.45	21.45	3.07	19.49	19.49	3.42
	62	28.44	24.01	2.03	26.96	23.33	2.25	25.36	22.59	2.51	23.65	21.76	2.79	21.48	21.48	3.07	19.54	19.54	3.42
	63	29.05	19.61	2.04	27.50	18.95	2.26	25.87	18.25	2.52	24.07	17.50	2.80	21.55	16.47	3.07	18.91	15.40	3.40
	67	31.49	20.43	2.07	29.83	19.77	2.30	28.06	19.07	2.55	26.17	18.34	2.85	24.14	17.56	3.17	21.41	16.53	3.49
	72	34.60	16.62	2.11	33.02	16.06	2.34	31.22	15.43	2.60	29.22	14.74	2.91	26.97	13.94	3.25	24.63	13.15	3.63
1000	57	28.38	28.38	2.07	27.13	27.13	2.29	25.81	25.81	2.55	24.36	24.36	2.85	22.72	22.72	3.17	20.47	20.47	3.49
	62	29.14	25.72	2.08	27.59	24.98	2.30	25.98	24.14	2.55	24.40	24.40	2.85	22.76	22.76	3.17	20.51	20.51	3.49
	63	29.71	20.82	2.08	28.09	20.14	2.30	26.36	19.42	2.56	24.52	18.67	2.85	22.11	17.68	3.13	19.33	16.54	3.45
	67	32.16	21.66	2.11	30.48	21.06	2.34	28.60	20.33	2.60	26.61	19.58	2.89	24.55	18.80	3.22	21.98	17.83	3.56
	72	35.21	17.30	2.15	33.61	16.78	2.38	31.78	16.17	2.65	29.75	15.50	2.95	27.51	14.76	3.29	25.00	13.90	3.68
1125	57	29.38	29.38	2.12	28.07	28.07	2.34	26.66	26.66	2.60	25.15	25.15	2.90	23.48	23.48	3.23	21.30	21.30	3.56
	62	29.75	27.27	2.12	28.15	28.15	2.34	26.70	26.70	2.60	25.18	25.18	2.90	23.51	23.51	3.23	21.34	21.34	3.56
	63	30.21	21.97	2.12	28.53	21.28	2.35	26.75	20.55	2.60	24.84	19.77	2.89	22.76	18.90	3.20	19.71	17.60	3.50
	67	32.67	22.83	2.15	30.96	22.26	2.38	29.01	21.55	2.64	26.97	20.78	2.94	24.86	19.98	3.27	22.48	19.05	3.63
	72	35.66	17.95	2.19	34.05	17.45	2.42	32.19	16.87	2.69	30.14	16.21	2.99	27.89	15.49	3.33	25.30	14.64	3.72

COOLING MULTIPLIERS FOR COMBINATION RATINGS: WCH3304GKB

Cooling Indoor Model	Capacity	Power	Cooling Indoor Model	Capacity	Power
WAP*304A*	1.00	1.00	WAH*304A*	1.05	1.02
WAP*364A*	1.00	1.00	WAH*364A*	1.05	1.03
WAHA30**4A*	1.05	1.02	WAX*304A*	1.05	1.00
WAHA36**4A*	1.05	1.03	WAX*364A*	1.05	0.99

See Notes following Cooling tables

EXPANDED COOLING: WCH3314GKC Outdoor Section With FSM4X3000A Indoor Section

EVAPORATOR AIR		CONDENSER ENTERING AIR TEMPERATURES deg F																	
		75			85			95			105			115			125		
CFM	EWB	Capacity MBtuh		Total System KW	Capacity MBtuh		Total System KW	Capacity MBtuh		Total System KW	Capacity MBtuh		Total System KW	Capacity MBtuh		Total System KW	Capacity MBtuh		Total System KW
		Total	Sens		Total	Sens		Total	Sens		Total	Sens		Total	Sens		Total	Sens	
875	72	35.86	18.40	2.27	34.17	17.74	2.52	32.37	17.04	2.78	30.46	16.30	3.09	28.41	15.53	3.43	26.21	14.72	3.82
	67	32.58	22.54	2.25	31.04	21.87	2.49	29.40	21.17	2.76	27.66	20.43	3.06	25.78	19.65	3.41	23.79	18.83	3.81
	63	30.19	21.70	2.24	28.76	21.03	2.48	27.24	20.33	2.75	25.62	19.59	3.05	23.88	18.82	3.39	22.02	17.99	3.79
	62	29.58	26.56	2.24	28.20	25.88	2.48	26.73	25.15	2.74	25.18	24.36	3.04	23.54	23.46	3.39	21.92	21.92	3.79
	57	28.19	28.19	2.24	27.12	27.12	2.47	25.97	25.97	2.74	24.71	24.71	3.04	23.37	23.37	3.39	21.89	21.89	3.79
1000	72	36.55	19.23	2.32	34.79	18.55	2.57	32.90	17.84	2.83	30.91	17.09	3.14	28.78	16.31	3.48	26.49	15.47	3.87
	67	33.23	23.90	2.30	31.62	23.22	2.55	29.90	22.50	2.81	28.08	21.75	3.11	26.13	20.95	3.46	24.06	20.10	3.85
	63	30.81	22.97	2.29	29.32	22.29	2.53	27.72	21.57	2.80	26.03	20.82	3.10	24.22	20.02	3.44	22.29	19.16	3.84
	62	30.25	28.40	2.29	28.81	27.66	2.53	27.30	26.86	2.79	25.70	25.70	3.09	24.23	24.23	3.44	22.65	22.65	3.84
	57	29.36	29.36	2.29	28.21	28.21	2.52	26.97	26.97	2.79	25.64	25.64	3.10	24.19	24.19	3.44	22.62	22.62	3.84
1125	72	37.09	20.02	2.37	35.25	19.33	2.62	33.30	18.60	2.89	31.24	17.84	3.19	29.04	17.05	3.53	26.71	16.21	3.92
	67	33.73	25.21	2.35	32.06	24.52	2.60	30.27	23.78	2.86	28.39	23.01	3.16	26.38	22.19	3.51	24.27	21.31	3.90
	63	31.30	24.19	2.34	29.74	23.49	2.58	28.09	22.76	2.85	26.34	21.98	3.15	24.47	21.15	3.49	22.50	20.27	3.89
	62	30.80	30.07	2.34	29.35	29.24	2.58	27.85	27.85	2.84	26.42	26.42	3.15	24.89	24.89	3.49	23.23	23.23	3.90
	57	30.34	30.34	2.34	29.12	29.12	2.58	27.80	27.80	2.84	26.39	26.39	3.15	24.87	24.87	3.50	23.20	23.20	3.89

COOLING MULTIPLIERS FOR COMBINATION RATINGS: WCH3314GKC

Cooling Indoor Model	Capacity	Power	Cooling Indoor Model	Capacity	Power
*FSM4X3000A	1.00	1.00	W*N(C,W)364BA*	1.01	1.01
W*A*304AA*	1.01	1.01	W*NC364CA*	1.01	1.01
W*A*304BA*	1.01	1.01	WAP*304A*	0.98	0.93
W*A*364AA*	1.01	1.00	WAH*304B*	1.01	0.96
W*A*364BA*	1.01	1.00	WAH*364B*	1.00	0.96
W*A*364CA*	1.01	1.00	WAHA30**4A*	1.01	0.98
W*NH304BA*	1.01	1.01	WAHA36**4A*	1.02	0.98
W*NH364BA*	1.01	1.01	WAH*304A*	1.01	0.97
W*NC304AA*	1.01	1.01	WAH*364A*	1.01	0.98
W*NC304BA*	1.01	1.01	WAX*304A*	1.02	0.94
			WAX*364A*	1.02	0.90

EXPANDED COOLING: WCH3364GKC Outdoor Section With WAP\*364A\* Indoor Section

EVAPORATOR AIR		CONDENSER ENTERING AIR TEMPERATURES deg F																	
		75			85			95			105			115			125		
CFM	EWB	Capacity MBtuh		Total System KW	Capacity MBtuh		Total System KW	Capacity MBtuh		Total System KW	Capacity MBtuh		Total System KW	Capacity MBtuh		Total System KW	Capacity MBtuh		Total System KW
		Total	Sens		Total	Sens		Total	Sens		Total	Sens		Total	Sens		Total	Sens	
1050	57	31.95	31.95	2.39	30.67	30.67	2.65	29.29	29.29	2.94	27.80	27.80	3.26	25.76	25.76	3.59	23.48	23.48	3.99
	62	33.18	28.52	2.41	31.56	27.77	2.66	29.84	26.94	2.95	28.01	26.01	3.27	25.81	25.81	3.60	23.53	23.53	3.99
	63	33.87	23.22	2.42	32.19	22.50	2.67	30.39	21.74	2.95	28.45	20.94	3.28	25.81	19.85	3.59	22.68	18.58	3.97
	67	36.68	24.14	2.44	34.92	23.49	2.71	32.98	22.73	3.00	30.94	21.95	3.32	28.72	21.10	3.70	25.84	20.01	4.06
	72	40.08	19.42	2.48	38.56	18.94	2.75	36.71	18.31	3.04	34.58	17.59	3.38	32.09	16.72	3.77	29.53	15.84	4.21
1200	57	33.27	33.27	2.45	31.91	31.91	2.71	30.46	30.46	3.00	28.89	28.89	3.33	27.12	27.12	3.70	24.64	24.64	4.06
	62	33.98	30.51	2.46	32.31	29.67	2.72	30.54	30.54	3.00	28.93	28.93	3.33	27.16	27.16	3.70	24.68	24.68	4.07
	63	34.60	24.67	2.47	32.85	23.94	2.72	30.97	23.16	3.01	28.97	22.34	3.33	26.70	21.41	3.69	23.25	19.97	4.02
	67	37.41	25.60	2.49	35.66	25.04	2.76	33.60	24.27	3.05	31.47	23.46	3.38	29.19	22.59	3.75	26.62	21.61	4.16
	72	40.70	20.22	2.53	39.19	19.78	2.79	37.34	19.19	3.09	35.20	18.50	3.43	32.76	17.71	3.82	29.95	16.76	4.27
1350	57	34.39	34.39	2.51	32.97	32.97	2.77	31.42	31.42	3.06	29.79	29.79	3.39	27.97	27.97	3.77	25.68	25.68	4.15
	62	34.71	32.24	2.51	33.03	33.03	2.77	31.46	31.46	3.06	29.82	29.82	3.39	28.01	28.01	3.77	25.72	25.72	4.16
	63	35.21	26.05	2.52	33.35	25.30	2.77	31.40	24.50	3.06	29.36	23.65	3.38	27.07	22.70	3.74	23.69	21.22	4.08
	67	37.95	26.97	2.54	36.17	26.43	2.81	34.08	25.72	3.10	31.88	24.88	3.43	29.55	23.99	3.81	26.96	22.97	4.22
	72	41.12	20.88	2.57	39.64	20.53	2.84	37.79	20.00	3.14	35.64	19.34	3.48	33.18	18.58	3.87	30.35	17.66	4.31

COOLING MULTIPLIERS FOR COMBINATION RATINGS: WCH3364GKC

Cooling Indoor Model	Capacity	Power	Cooling Indoor Model	Capacity	Power
WAP*364A*	1.00	1.00	WAH*424A*	1.04	0.98
WAP*424A*	1.02	0.97	WAX*364A*	1.05	0.94
WAHA36**4A*	1.00	0.98	WAX*424A*	1.05	0.94
WAH*364A*	1.02	0.96			

See Notes following Cooling tables

EXPANDED COOLING: WCH3374GKC Outdoor Section With FSM4X4200A Indoor Section

EVAPORATOR AIR		CONDENSER ENTERING AIR TEMPERATURES deg F																	
		75			85			95			105			115			125		
CFM	EWB	Capacity MBtuh		Total System KW	Capacity MBtuh		Total System KW	Capacity MBtuh		Total System KW	Capacity MBtuh		Total System KW	Capacity MBtuh		Total System KW	Capacity MBtuh		Total System KW
		Total	Sens		Total	Sens		Total	Sens		Total	Sens		Total	Sens		Total	Sens	
1050	72	42.19	21.24	2.61	39.92	20.39	2.85	37.69	19.57	3.13	35.41	18.74	3.44	32.97	17.86	3.80	30.31	16.92	4.21
	67	38.28	26.30	2.59	36.22	25.45	2.83	34.20	24.62	3.11	32.13	23.79	3.43	29.92	22.91	3.79	27.48	21.94	4.21
	63	35.45	25.27	2.58	33.53	24.42	2.82	31.66	23.60	3.10	29.75	22.77	3.42	27.69	21.89	3.79	25.42	20.92	4.21
	62	34.77	31.21	2.57	32.91	30.32	2.82	31.13	29.45	3.10	29.33	28.49	3.42	27.58	27.58	3.79	25.73	25.73	4.21
	57	33.56	33.56	2.57	32.10	32.10	2.82	30.66	30.66	3.09	29.17	29.17	3.42	27.54	27.54	3.79	25.70	25.70	4.21
1200	72	42.92	22.23	2.68	40.54	21.37	2.92	38.22	20.53	3.20	35.84	19.68	3.51	33.32	18.80	3.87	30.56	17.84	4.28
	67	38.97	27.97	2.66	36.80	27.10	2.90	34.69	26.25	3.18	32.54	25.40	3.49	30.24	24.49	3.86	27.74	23.50	4.27
	63	36.11	26.82	2.64	34.10	25.95	2.89	32.15	25.11	3.16	30.15	24.25	3.48	28.03	23.35	3.85	25.69	22.34	4.27
	62	35.51	33.43	2.64	33.61	32.44	2.89	31.85	31.85	3.16	30.24	30.24	3.48	28.49	28.49	3.85	26.53	26.53	4.27
	57	34.92	34.92	2.64	33.35	33.35	2.88	31.80	31.80	3.16	30.20	30.20	3.48	28.46	28.46	3.85	26.50	26.50	4.27
1350	72	43.44	23.17	2.75	40.99	22.29	2.99	38.58	21.44	3.26	36.13	20.58	3.58	33.54	19.69	3.93	30.71	18.72	4.34
	67	39.46	29.56	2.72	37.22	28.66	2.97	35.04	27.80	3.24	32.82	26.92	3.56	30.47	25.98	3.92	27.91	24.94	4.34
	63	36.59	28.29	2.71	34.51	27.40	2.95	32.49	26.54	3.23	30.44	25.66	3.55	28.26	24.71	3.92	25.87	23.66	4.34
	62	36.18	35.96	2.71	34.42	34.42	2.95	32.77	32.77	3.23	31.07	31.07	3.55	29.22	29.22	3.92	27.16	27.16	4.34
	57	36.04	36.04	2.71	34.37	34.37	2.95	32.73	32.73	3.23	31.03	31.03	3.55	29.19	29.19	3.92	27.12	27.12	4.34

COOLING MULTIPLIERS FOR COMBINATION RATINGS: WCH3374GKC

INDOOR MODEL	CAPACITY	POWER	INDOOR MODEL	CAPACITY	POWER
*FSM4X4200A	1.00	1.00	W*NC424BA*	1.00	0.98
W*A*364AA*	0.98	0.98	W*N(C,W)424CA*	0.99	0.99
W*A*364BA*	0.98	0.98	WAP*364A*	0.98	0.95
W*A*364CA*	0.98	0.98	WAP*424A*	1.00	0.96
W*A*424CA*	0.99	0.99	WAH*364B*	0.98	0.94
W*A*424DA*	0.99	0.99	WAH*424B*	1.01	0.96
W*NH364BA*	0.98	0.98	WAHA36**4A*	0.99	0.99
W*NH424CA*	0.99	0.99	WAH*364A*	0.99	0.95
W*N(C,W)364BA*	0.98	0.98	WAH*424A*	1.01	1.01
W*NC364CA*	0.98	0.98	WAX*364A*	1.02	0.92
			WAX*424A*	1.01	0.95

EXPANDED COOLING: WCH3424GKC Outdoor Section With WAP\*424A\* Indoor Section

EVAPORATOR AIR		CONDENSER ENTERING AIR TEMPERATURES deg F																	
		75			85			95			105			115			125		
CFM	EWB	Capacity MBtuh		Total System KW	Capacity MBtuh		Total System KW	Capacity MBtuh		Total System KW	Capacity MBtuh		Total System KW	Capacity MBtuh		Total System KW	Capacity MBtuh		Total System KW
		Total	Sens		Total	Sens		Total	Sens		Total	Sens		Total	Sens		Total	Sens	
1225	57	39.37	39.37	3.01	37.75	37.75	3.34	36.03	36.03	3.69	34.20	34.20	4.07	31.58	31.58	4.44	28.93	28.93	4.89
	62	41.08	37.19	3.01	38.99	36.16	3.34	36.82	35.06	3.70	34.58	33.87	4.08	31.64	31.64	4.44	28.98	28.98	4.89
	63	41.94	30.35	3.01	39.77	29.36	3.34	37.53	28.35	3.70	35.15	27.30	4.09	31.79	25.83	4.45	28.16	24.25	4.86
	67	45.43	31.55	2.98	43.16	30.64	3.34	40.70	29.62	3.72	38.18	28.58	4.12	35.48	27.48	4.56	31.93	26.05	4.98
	72	49.74	25.53	2.94	47.65	24.77	3.32	45.25	23.90	3.72	42.59	22.96	4.15	39.57	21.82	4.63	36.47	20.70	5.14
1400	57	41.05	41.05	3.05	39.30	39.30	3.39	37.49	37.49	3.75	35.56	35.56	4.14	33.40	33.40	4.57	30.34	30.34	4.98
	62	42.10	39.81	3.05	39.92	38.67	3.39	37.73	37.39	3.75	35.61	35.61	4.14	33.44	33.44	4.57	30.39	30.39	4.98
	63	42.91	32.24	3.04	40.63	31.23	3.39	38.26	30.19	3.75	35.81	29.11	4.14	32.72	27.77	4.53	28.86	26.06	4.93
	67	46.38	33.45	3.02	44.09	32.65	3.38	41.50	31.60	3.77	38.83	30.53	4.18	36.08	29.42	4.62	32.97	28.16	5.09
	72	50.61	26.60	2.98	48.50	25.87	3.36	46.07	25.05	3.76	43.36	24.14	4.20	40.38	23.11	4.68	37.02	21.88	5.20
1575	57	42.49	42.49	3.09	40.64	40.64	3.44	38.70	38.70	3.80	36.67	36.67	4.20	34.47	34.47	4.64	31.57	31.57	5.07
	62	43.00	42.10	3.09	40.76	40.76	3.44	38.75	38.75	3.80	36.71	36.71	4.20	34.51	34.51	4.64	31.63	31.63	5.07
	63	43.68	34.03	3.08	41.28	33.00	3.44	38.83	31.93	3.80	36.30	30.82	4.20	33.52	29.59	4.62	29.39	27.70	5.00
	67	47.08	35.20	3.05	44.76	34.43	3.42	42.12	33.50	3.82	39.37	32.39	4.23	36.51	31.23	4.68	33.42	29.94	5.16
	72	51.25	27.56	3.02	49.14	26.89	3.39	46.67	26.10	3.81	43.93	25.24	4.25	40.90	24.23	4.73	37.53	23.06	5.25

COOLING MULTIPLIERS FOR COMBINATION RATINGS: WCH3424GKC

Cooling Indoor Model	Capacity	Power	Cooling Indoor Model	Capacity	Power
WAP*424A*	1.00	1.00	WAH*484A*	1.01	0.97
WAP*484A*	1.00	1.00	WAX*424A*	1.01	0.99
WAH*424A*	1.01	1.01	WAX*484A*	1.01	0.95

See Notes following Cooling tables

EXPANDED COOLING: WCH3434GKC Outdoor Section With WAP\*424A\* Indoor Section

EVAPORATOR AIR		CONDENSER ENTERING AIR TEMPERATURES deg F																	
		75			85			95			105			115			125		
CFM	EWB	Capacity MBtuh		Total System KW	Capacity MBtuh		Total System KW	Capacity MBtuh		Total System KW	Capacity MBtuh		Total System KW	Capacity MBtuh		Total System KW	Capacity MBtuh		Total System KW
		Total	Sens		Total	Sens		Total	Sens		Total	Sens		Total	Sens		Total	Sens	
1225	72	49.67	24.01	2.87	47.21	23.09	3.26	44.62	22.17	3.67	41.82	21.21	4.11	37.93	19.91	4.57	33.56	18.45	5.01
	67	45.16	29.53	2.91	42.72	28.60	3.29	40.14	27.59	3.69	36.47	26.18	4.05	32.51	24.69	4.44	28.56	23.20	4.90
	63	41.66	28.34	2.93	39.36	27.37	3.29	36.20	26.05	3.63	32.52	24.55	3.98	29.00	23.12	4.39	25.27	21.60	4.83
	62	40.81	34.80	2.94	38.58	33.78	3.29	35.35	32.24	3.61	32.28	32.28	3.98	29.64	29.64	4.40	26.87	26.87	4.86
	57	39.24	39.24	2.94	37.50	37.50	3.29	34.81	34.81	3.60	32.22	32.22	3.98	29.59	29.59	4.40	26.82	26.82	4.86
1400	72	50.52	24.97	2.89	48.02	24.13	3.29	45.34	23.23	3.71	42.51	22.27	4.15	38.72	21.14	4.62	34.24	19.64	5.08
	67	46.10	31.37	2.94	43.60	30.47	3.33	41.00	29.52	3.73	37.65	28.23	4.13	33.26	26.58	4.51	29.23	25.04	4.96
	63	42.58	30.13	2.98	40.15	29.13	3.34	37.57	28.06	3.71	33.28	26.32	4.04	29.64	24.83	4.44	25.85	23.22	4.89
	62	41.81	37.29	2.98	39.52	36.17	3.34	37.14	37.14	3.71	33.88	33.88	4.05	31.05	31.05	4.47	28.13	28.13	4.94
	57	40.96	40.96	2.98	39.10	39.10	3.34	37.06	37.06	3.71	33.82	33.82	4.05	31.00	31.00	4.47	28.08	28.08	4.94
1575	72	51.15	25.91	2.93	48.59	25.09	3.34	45.86	24.18	3.76	42.97	23.24	4.20	39.28	22.23	4.67	34.78	20.77	5.15
	67	46.81	33.08	2.98	44.24	32.22	3.37	41.60	31.27	3.77	38.48	30.11	4.20	33.88	28.36	4.57	29.75	26.68	5.02
	63	43.28	31.82	3.01	40.78	30.80	3.38	38.15	29.72	3.77	33.93	28.00	4.10	30.14	26.41	4.50	26.39	26.23	4.95
	62	42.72	39.48	3.02	40.50	40.50	3.38	38.41	38.41	3.77	35.30	35.30	4.12	32.26	32.26	4.54	29.17	29.17	5.01
	57	42.43	42.43	3.02	40.45	40.45	3.38	38.36	38.36	3.77	35.24	35.24	4.12	32.21	32.21	4.54	29.12	29.12	5.01

COOLING MULTIPLIERS FOR COMBINATION RATINGS: WCH3434GKC

Cooling Indoor Model	Capacity	Power	Cooling Indoor Model	Capacity	Power
WAP*424A*	1.00	1.00	W*N(C,W)484CA*	1.00	1.06
W*A*484BA*	1.00	1.06	W*NC484DA*	1.00	1.06
W*A*484CA*	1.00	1.07	WAP*484A*	1.01	1.03
W*A*484DA*	1.00	1.07	WAH*424B*	1.01	1.03
W*NH424CA*	0.99	1.05	WAH*484B*	1.01	1.01
W*NH484CA*	1.00	1.06	WAH*424A*	1.01	1.06
W*NC424BA*	0.98	1.04	WAH*484A*	1.04	1.04
W*N(C,W)424CA*	0.98	1.04	WAX*424A*	1.01	1.03
			WAX*484A*	1.02	0.98

EXPANDED COOLING: WCH3484GKC Outdoor Section With WAP\*484A\* Indoor Section

EVAPORATOR AIR		CONDENSER ENTERING AIR TEMPERATURES deg F																	
		75			85			95			105			115			125		
CFM	EWB	Capacity MBtuh		Total System KW	Capacity MBtuh		Total System KW	Capacity MBtuh		Total System KW	Capacity MBtuh		Total System KW	Capacity MBtuh		Total System KW	Capacity MBtuh		Total System KW
		Total	Sens		Total	Sens		Total	Sens		Total	Sens		Total	Sens		Total	Sens	
1400	57	44.84	44.84	3.32	42.92	42.92	3.70	40.93	40.93	4.11	38.86	38.86	4.55	36.60	36.60	5.05	33.56	33.56	5.57
	62	46.76	41.67	3.34	44.30	40.49	3.72	41.77	39.25	4.12	39.24	37.92	4.56	36.66	36.66	5.06	33.63	33.63	5.57
	63	47.74	33.97	3.34	45.20	32.83	3.73	42.56	31.66	4.13	39.87	30.49	4.57	36.99	29.25	5.06	32.84	27.47	5.54
	67	51.68	35.32	3.36	48.96	34.23	3.77	46.17	33.09	4.19	43.26	31.91	4.64	40.24	30.71	5.14	37.01	29.42	5.71
	72	56.56	28.54	3.38	54.12	27.70	3.82	51.31	26.67	4.26	48.25	25.56	4.72	45.02	24.40	5.24	41.51	23.12	5.82
1600	57	46.75	46.75	3.40	44.70	44.70	3.78	42.55	42.55	4.20	40.36	40.36	4.65	38.00	38.00	5.16	35.38	35.38	5.73
	62	47.86	44.58	3.40	45.34	43.30	3.79	42.77	42.42	4.20	40.41	40.41	4.65	38.05	38.05	5.16	35.43	35.43	5.73
	63	48.79	36.07	3.41	46.10	34.88	3.80	43.34	33.68	4.21	40.55	32.48	4.65	37.59	31.21	5.14	33.69	29.53	5.64
	67	52.69	37.40	3.43	50.00	36.46	3.84	47.00	35.27	4.27	43.99	34.06	4.73	40.86	32.83	5.22	37.56	31.51	5.79
	72	57.44	29.66	3.45	55.02	28.92	3.89	52.17	27.93	4.33	49.07	26.85	4.80	45.76	25.71	5.31	42.25	24.50	5.89
1800	57	48.37	48.37	3.47	46.18	46.18	3.87	43.93	43.93	4.29	41.59	41.59	4.74	39.13	39.13	5.25	36.47	36.47	5.83
	62	48.85	47.20	3.47	46.29	46.29	3.87	43.99	43.99	4.29	41.64	41.64	4.74	39.18	39.18	5.25	36.52	36.52	5.83
	63	49.60	38.01	3.47	46.81	36.86	3.87	43.97	35.64	4.28	41.05	34.39	4.73	38.05	33.09	5.22	34.69	31.59	5.77
	67	53.47	39.41	3.49	50.73	38.51	3.91	47.66	37.39	4.34	44.54	36.15	4.80	41.34	34.87	5.30	37.99	33.50	5.87
	72	58.09	30.71	3.52	55.69	30.04	3.95	52.82	29.12	4.40	49.68	28.08	4.87	46.32	26.95	5.38	42.74	25.74	5.96

COOLING MULTIPLIERS FOR COMBINATION RATINGS: WCH3484GKC

Cooling Indoor Model	Capacity	Power	Cooling Indoor Model	Capacity	Power
WAP*484A*	1.00	1.00	WAH*604A*	1.02	0.94
WAP*604A*	1.01	0.97	WAX*484A*	1.02	0.95
WAH*484A*	1.02	0.96	WAX*604A*	1.02	0.94

See Notes following Cooling tables

EXPANDED COOLING: WCH3494GKC Outdoor Section With WAP\*484A\* Indoor Section

EVAPORATOR AIR		CONDENSER ENTERING AIR TEMPERATURES deg F																	
		75			85			95			105			115			125		
CFM	EWB	Capacity MBtuh		Total System KW	Capacity MBtuh		Total System KW	Capacity MBtuh		Total System KW	Capacity MBtuh		Total System KW	Capacity MBtuh		Total System KW	Capacity MBtuh		Total System KW
		Total	Sens		Total	Sens		Total	Sens		Total	Sens		Total	Sens		Total	Sens	
1400	72	55.18	26.58	3.09	52.45	25.62	3.51	49.58	24.62	3.93	46.44	23.54	4.36	41.58	21.90	4.80	36.80	20.30	5.27
	67	50.27	32.84	3.08	47.56	31.82	3.48	44.65	30.69	3.89	40.02	28.92	4.25	35.80	27.32	4.68	31.49	25.70	5.16
	63	46.43	31.58	3.08	43.86	30.48	3.46	39.76	28.77	3.79	35.90	27.19	4.18	31.94	25.58	4.61	27.74	23.85	5.09
	62	45.50	38.79	3.08	43.00	37.63	3.45	38.96	35.69	3.78	35.68	35.68	4.18	32.70	32.70	4.63	29.57	29.57	5.13
	57	43.72	43.72	3.07	41.74	41.74	3.44	38.42	38.42	3.78	35.61	35.61	4.18	32.65	32.65	4.63	29.52	29.52	5.12
1600	72	56.09	27.67	3.15	53.31	26.76	3.57	50.34	25.76	3.99	47.19	24.72	4.43	42.56	23.24	4.89	37.52	21.59	5.35
	67	51.26	34.82	3.14	48.46	33.83	3.55	45.50	32.76	3.96	40.99	31.04	4.33	36.54	29.36	4.76	32.10	27.63	5.24
	63	47.41	33.51	3.14	44.72	32.39	3.52	40.81	30.79	3.87	36.65	29.09	4.25	32.61	27.43	4.68	28.34	25.58	5.16
	62	46.56	41.49	3.14	44.01	40.23	3.52	40.40	40.40	3.87	37.31	37.31	4.27	34.19	34.19	4.71	30.92	30.92	5.21
	57	45.57	45.57	3.14	43.49	43.49	3.52	40.35	40.35	3.87	37.25	37.25	4.27	34.14	34.14	4.71	30.87	30.87	5.21
1800	72	56.77	28.71	3.21	53.95	27.83	3.63	50.93	26.83	4.06	47.73	25.80	4.49	43.24	24.50	4.96	38.09	22.84	5.43
	67	52.03	36.73	3.20	49.15	35.76	3.61	46.16	34.73	4.02	41.79	33.07	4.41	37.13	31.28	4.83	32.66	29.42	5.31
	63	48.21	35.37	3.20	45.40	34.24	3.59	42.36	33.00	3.98	37.31	30.93	4.32	33.58	29.50	4.77	28.89	28.89	5.23
	62	47.55	43.88	3.20	44.99	44.99	3.59	42.61	42.61	3.98	38.73	38.73	4.35	35.45	35.45	4.80	32.03	32.03	5.30
	57	47.11	47.11	3.20	44.92	44.92	3.59	42.55	42.55	3.98	38.67	38.67	4.35	35.40	35.40	4.80	31.99	31.99	5.30

COOLING MULTIPLIERS FOR COMBINATION RATINGS: WCH3494GKC

Cooling Indoor Model	Capacity	Power	Cooling Indoor Model	Capacity	Power
WAP*484A*	1.00	1.00	W*N(C,W)484CA*	1.02	1.04
W*A*484BA*	1.01	1.03	W*NC484DA*	1.02	1.04
W*A*484CA*	1.01	1.03	W*N(C,W)604DA*	1.03	1.05
W*A*484DA*	1.01	1.03	WAP*604A*	1.04	1.02
W*A*604CA*	1.04	1.06	WAH*484B*	1.02	1.04
W*A*604DA*	1.04	1.06	WAH*484A*	1.04	1.02
W*NH484CA*	1.02	1.04	WAH*604A*	1.07	0.99
W*NH604DA*	1.03	1.05	WAX*484A*	1.04	0.97
			WAX*604A*	1.07	0.99

EXPANDED COOLING: WCH3604GKC Outdoor Section With WAX\*604A\* Indoor Section

EVAPORATOR AIR		CONDENSER ENTERING AIR TEMPERATURES deg F																		Total System KW
		75			85			95			105			115			125			
CFM	EWB	Capacity MBtuh		Total System KW	Capacity MBtuh		Total System KW	Capacity MBtuh		Total System KW	Capacity MBtuh		Total System KW	Capacity MBtuh		Total System KW	Capacity MBtuh			
		Total	Sens		Total	Sens		Total	Sens		Total	Sens		Total	Sens		Total	Sens		
1750	57	54.58	54.58	4.12	52.58	52.58	4.55	50.45	50.45	5.03	48.15	48.15	5.59	45.65	45.65	6.22	42.94	42.94	6.94	
	62	56.76	49.61	4.15	54.22	48.41	4.57	51.54	47.15	5.05	48.72	45.76	5.60	45.74	45.74	6.22	43.00	43.00	6.95	
	63	57.87	40.38	4.16	55.26	39.22	4.59	52.48	38.00	5.06	49.52	36.74	5.61	46.35	35.39	6.23	42.96	33.96	6.94	
	67	62.33	41.92	4.22	59.54	40.77	4.65	56.55	39.56	5.13	53.37	38.29	5.68	49.98	36.96	6.30	46.35	35.53	7.01	
2000	72	68.43	34.03	4.31	65.38	32.89	4.75	62.12	31.69	5.23	58.67	30.43	5.78	54.98	29.12	6.40	51.05	27.72	7.10	
	57	56.85	56.85	4.22	54.71	54.71	4.66	52.42	52.42	5.14	49.95	49.95	5.70	47.29	47.29	6.33	44.40	44.40	7.05	
	62	58.04	53.16	4.24	55.42	51.86	4.67	52.69	50.40	5.15	50.02	50.02	5.70	47.35	47.35	6.33	44.46	44.46	7.05	
	63	59.05	42.86	4.25	56.31	41.66	4.68	53.41	40.43	5.16	50.32	39.13	5.70	47.03	37.74	6.32	43.53	36.27	7.03	
2250	67	63.54	44.58	4.32	60.60	43.39	4.75	57.50	42.16	5.23	54.19	40.86	5.77	50.67	39.50	6.39	46.93	38.04	7.10	
	72	69.69	35.64	4.41	66.51	34.48	4.84	63.12	33.26	5.33	59.52	31.98	5.87	55.70	30.65	6.49	51.64	29.23	7.19	
	57	58.74	58.74	4.33	56.47	56.47	4.76	54.04	54.04	5.25	51.43	51.43	5.80	48.62	48.62	6.43	45.58	45.58	7.15	
	62	59.14	56.29	4.33	56.56	56.56	4.76	54.11	54.11	5.25	51.50	51.50	5.80	48.68	48.68	6.43	45.63	45.63	7.15	
2250	63	59.92	45.20	4.34	57.09	43.99	4.77	54.08	42.73	5.24	50.91	41.39	5.79	47.54	39.96	6.41	43.96	38.42	7.12	
	67	64.42	47.10	4.41	61.39	45.91	4.84	58.19	44.64	5.32	54.77	43.32	5.86	51.18	41.91	6.48	47.35	40.39	7.18	
	72	70.64	37.16	4.50	67.35	35.98	4.93	63.84	34.74	5.42	60.14	33.44	5.96	56.21	32.09	6.58	52.04	30.66	7.28	

COOLING MULTIPLIERS FOR COMBINATION RATINGS: WCH3604GKC

Cooling Indoor Model		Capacity	Power
WAX*604A*		1.00	1.00
WAH*604A*		1.00	1.02

EXPANDED COOLING: WCH3614GKC Outdoor Section With WAP\*604A Indoor Section

EVAPORATOR AIR		CONDENSER ENTERING AIR TEMPERATURES deg F																		Total System KW
		75			85			95			105			115			125			
CFM	EWB	Capacity MBtuh		Total System KW	Capacity MBtuh		Total System KW	Capacity MBtuh		Total System KW	Capacity MBtuh		Total System KW	Capacity MBtuh		Total System KW	Capacity MBtuh			
		Total	Sens		Total	Sens		Total	Sens		Total	Sens		Total	Sens		Total	Sens		
1750	72	69.05	35.41	4.35	65.87	34.16	4.78	62.51	32.87	5.26	58.93	31.51	5.80	55.06	30.06	6.42	50.92	28.53	7.11	
	67	62.96	43.59	4.28	60.07	42.34	4.70	57.00	41.04	5.18	53.73	39.67	5.72	50.21	38.21	6.34	46.43	36.67	7.05	
	63	58.46	42.00	4.23	55.78	40.76	4.65	52.92	39.45	5.12	49.90	38.08	5.67	46.64	36.64	6.29	43.13	35.09	7.00	
	62	57.35	51.53	4.21	54.77	50.25	4.64	51.98	48.86	5.11	49.12	47.39	5.66	46.05	45.68	6.28	43.01	43.01	7.00	
2000	57	54.91	54.91	4.19	52.89	52.89	4.61	50.70	50.70	5.10	48.34	48.34	5.64	45.77	45.77	6.28	42.95	42.95	7.00	
	72	70.27	36.97	4.46	66.96	35.71	4.89	63.44	34.39	5.36	59.72	33.00	5.90	55.72	31.53	6.52	51.43	29.97	7.21	
	67	64.13	46.20	4.38	61.10	44.93	4.81	57.91	43.60	5.28	54.48	42.20	5.82	50.84	40.71	6.44	46.93	39.10	7.14	
	63	59.59	44.43	4.33	56.79	43.17	4.75	53.82	41.84	5.22	50.66	40.44	5.77	47.27	38.94	6.39	43.63	37.33	7.10	
2250	62	58.59	55.04	4.32	55.90	53.65	4.74	53.09	52.10	5.22	50.15	50.15	5.76	47.36	47.36	6.39	44.35	44.35	7.11	
	57	57.10	57.10	4.30	54.92	54.92	4.73	52.58	52.58	5.21	50.05	50.05	5.76	47.30	47.30	6.39	44.30	44.30	7.11	
	72	71.22	38.47	4.56	67.77	37.18	4.99	64.14	35.84	5.46	60.30	34.44	6.00	56.16	32.93	6.62	51.79	31.36	7.31	
	67	65.02	48.72	4.48	61.89	47.43	4.91	58.56	46.06	5.38	55.05	44.63	5.92	51.28	43.07	6.54	47.29	41.41	7.24	
2250	63	60.47	46.78	4.43	57.55	45.48	4.85	54.48	44.12	5.32	51.22	42.68	5.86	47.72	41.12	6.49	44.01	39.45	7.19	
	62	59.62	58.18	4.42	56.92	56.55	4.84	54.18	54.18	5.32	51.51	51.51	5.87	48.59	48.59	6.50	45.42	45.42	7.21	
	57	58.91	58.91	4.41	56.60	56.60	4.84	54.11	54.11	5.32	51.45	51.45	5.87	48.54	48.54	6.50	45.37	45.37	7.21	

COOLING MULTIPLIERS FOR COMBINATION RATINGS: WCH3614GKC

Cooling Indoor Model		Capacity	Power	Cooling Indoor Model		Capacity	Power
WAP*604A*		1.00	1.00	W*N(C,W)604DA*		0.99	0.99
W*A*604CA*		1.00	1.00	WAH*604A*		1.02	1.02
W*A*604DA*		1.00	1.01	WAX*604A**		1.02	0.97
W*NH604DA*		0.99	0.99				

**NOTES:**  
 Total sensible capacities are based on net capacities. Blower heat has been subtracted.  
 Sensible capacities shown are based on 80° F (27° C) entering air at the indoor coil. For sensible capacities at other than 80° F (27° C), deduct 835 Btuh (245 kW) per 1000 CFM (480 L/S) of indoor coil air for each degree below 80° F (27° C), or add 835 Btuh (245 kW) per 1000 CFM (480 L/S) of indoor coil air per degree above 80° F (27° C).  
 Detailed cooling and heating capacities are based on indoor and outdoor unit at the same elevation per AHRI standard 210/240 -2008. If additional tubing length is required and/or indoor unit is located above outdoor unit, a slight variation in capacity may occur. System kw is total of indoor and outdoor unit kilowatts.

EXPANDED HEATING PERFORMANCE RATINGS For Outdoor / Indoor Models

For complete ratings information, use the AHRI website directory search: www.AHRI.directory.org. New ratings may be listed online before Specification Sheets are updated.

EXPANDED HEATING: WCH3184GKB Outdoor Section With WAP\*184A\* Indoor Section

Table with columns for INDOOR AIR, Outdoor Coil Entering Air Temperatures (3, 7, 17, 27, 37, 47, 57, 67 deg F), Capacity MBtuh, Total System KW, EDB, and CFM. Rows show performance for indoor models 65, 70, and 75.

HEATING MULTIPLIERS FOR COMBINATION RATINGS: WCH3184GKB

Table showing Heating Multipliers for Indoor Models (WAP\*184A\*, WAP\*244A\*, WAHA18\*\*4A\*, WAHA24\*\*4A\*) and Heating Indoor Models (WAH\*184A\*, WAH\*244A\*, WAX\*184A\*, WAX\*244A\*) with Capacity and Power ratings.

EXPANDED HEATING: WCH3194GKC Outdoor Section With FSU4P1800A + TXV Indoor Section

Table with columns for INDOOR AIR, Outdoor Coil Entering Air Temperatures (3, 7, 17, 27, 37, 47, 57, 67 deg F), Capacity MBtuh, Total System KW, EDB, and CFM. Rows show performance for indoor models 65, 70, and 75.

HEATING MULTIPLIERS FOR COMBINATION RATINGS: WCH3194GKC

Table showing Heating Multipliers for Indoor Models (FSU4P1800A + TXV, WAP\*184A\*, WAP\*244A\*, WAH\*184B\*, WAH\*244B\*) and Heating Indoor Models (WAHA18\*\*4A\*, WAHA24\*\*4A\*, WAH\*184A\*, WAH\*244A\*, WAX\*184A\*, WAX\*244A\*) with Capacity and Power ratings.

EXPANDED HEATING: WCH3244GKB Outdoor Section With WAP\*244A\* Indoor Section

Table with columns for INDOOR AIR, Outdoor Coil Entering Air Temperatures (3, 7, 17, 27, 37, 47, 57, 67 deg F), Capacity MBtuh, Total System KW, EDB, and CFM. Rows show performance for indoor models 65, 70, and 75.

HEATING MULTIPLIERS FOR COMBINATION RATINGS: WCH3244GKB

Table showing Heating Multipliers for Indoor Models (WAP\*244A\*, WAP\*304A\*, WAHA24\*\*4A\*, WAHA30\*\*4A\*) and Heating Indoor Models (WAH\*244A\*, WAH\*304A\*, WAX\*244A\*, WAX\*304A\*) with Capacity and Power ratings.

EXPANDED HEATING: WCH3254GKC Outdoor Section With FSM4X3000A Indoor Section

Table with columns: INDOOR AIR, OUTDOOR COIL ENTERING AIR TEMPERATURES deg F (-3, 7, 17, 27, 37, 47, 57, 67), Capacity MBtuh, Total System KW, EDB, CFM.

HEATING MULTIPLIERS FOR COMBINATION RATINGS: WCH3254GKC

Table with columns: HEATING INDOOR MODEL, CAPACITY, POWER, HEATING INDOOR MODEL, CAPACITY, POWER.

EXPANDED HEATING: WCH3304GKB Outdoor Section With WAP\*304A\* Indoor Section

Table with columns: INDOOR AIR, OUTDOOR COIL ENTERING AIR TEMPERATURES deg F (-3, 7, 17, 27, 37, 47, 57, 67), Capacity MBtuh, Total System KW, EDB, CFM.

HEATING MULTIPLIERS FOR COMBINATION RATINGS: WCH3304GKB

Table with columns: HEATING INDOOR MODEL, CAPACITY, POWER, HEATING INDOOR MODEL, CAPACITY, POWER.

EXPANDED HEATING: WCH3314GKC Outdoor Section With FSM4X3000A Indoor Section

Table with columns: INDOOR AIR, OUTDOOR COIL ENTERING AIR TEMPERATURES deg F (-3, 7, 17, 27, 37, 47, 57, 67), Capacity MBtuh, Total System KW, EDB, CFM.

HEATING MULTIPLIERS FOR COMBINATION RATINGS: WCH3314GKC

Table with columns: HEATING INDOOR MODEL, CAPACITY, POWER, HEATING INDOOR MODEL, CAPACITY, POWER.



**EXPANDED HEATING: WCH3364GKC Outdoor Section With WAP\*364A\* Indoor Section**

INDOOR AIR		OUTDOOR COIL ENTERING AIR TEMPERATURES deg F																							
		-3			7			17			27			37			47			57			67		
EDB	CFM	Capacity MBtuh		Total System KW	Capacity MBtuh		Total System KW	Capacity MBtuh		Total System KW	Capacity MBtuh		Total System KW	Capacity MBtuh		Total System KW	Capacity MBtuh		Total System KW	Capacity MBtuh		Total System KW	Capacity MBtuh		Total System KW
		Total	Integ		Total	Integ		Total	Integ		Total	Integ		Total	Integ		Total	Integ		Total	Integ		Total	Integ	
65	1050	12.79	11.77	2.17	16.58	15.24	2.26	20.53	18.72	2.35	24.72	21.96	2.46	29.59	26.93	2.60	33.44	33.44	2.71	37.48	37.48	2.84	41.96	41.96	3.04
	1200	13.08	12.04	2.19	16.92	15.55	2.28	20.91	19.07	2.36	25.18	22.36	2.46	29.99	27.29	2.58	33.84	33.84	2.68	38.05	38.05	2.80	42.68	42.68	2.97
	1350	13.35	12.28	2.22	17.22	15.83	2.30	21.25	19.37	2.37	25.56	22.70	2.46	30.31	27.58	2.58	34.23	34.23	2.66	38.53	38.53	2.77	43.26	43.26	2.93
70	1050	11.97	11.01	2.27	15.80	14.52	2.36	19.79	18.04	2.46	24.01	21.32	2.57	29.06	26.45	2.72	32.95	32.95	2.83	36.89	36.89	2.97	41.27	41.27	3.17
	1200	12.30	11.31	2.29	16.16	14.85	2.38	20.20	18.42	2.47	24.46	21.72	2.56	29.49	26.84	2.70	33.40	33.40	2.80	37.45	37.45	2.92	41.97	41.97	3.10
	1350	12.56	11.55	2.32	16.46	15.13	2.40	20.53	18.72	2.48	24.83	22.06	2.57	29.84	27.16	2.69	33.76	33.76	2.78	37.92	37.92	2.89	42.56	42.56	3.06
75	1050	11.18	10.29	2.37	15.04	13.83	2.47	19.07	17.39	2.57	23.26	20.66	2.68	27.74	25.24	2.81	32.46	32.46	2.96	36.32	36.32	3.10	40.58	40.58	3.31
	1200	11.45	10.53	2.40	15.37	14.13	2.48	19.45	17.73	2.57	23.71	21.06	2.67	28.43	25.87	2.79	32.89	32.89	2.92	36.86	36.86	3.05	41.27	41.27	3.24
	1350	11.71	10.78	2.43	15.67	14.40	2.51	19.78	18.04	2.59	24.08	21.39	2.68	29.29	26.66	2.81	33.26	33.26	2.90	37.31	37.31	3.02	41.84	41.84	3.19

**HEATING MULTIPLIERS FOR COMBINATION RATINGS: WCH3364GKC**

HEATING INDOOR MODEL	CAPACITY	POWER	HEATING INDOOR MODEL	CAPACITY	POWER
WAP*364A*	1.00	1.00	WAH*424A*	1.01	0.96
WAP*424A*	1.00	0.93	WAX*364A*	1.00	0.93
WAHA36**4A*	0.98	0.99	WAX*424A*	1.00	0.93
WAH*364A*	1.00	0.97			

**EXPANDED HEATING: WCH3374GKC Outdoor Section With FSM4X4200A Indoor Section**

INDOOR AIR		OUTDOOR COIL ENTERING AIR TEMPERATURES deg F																							
		-3			7			17			27			37			47			57			67		
EDB	CFM	Capacity MBtuh		Total System KW	Capacity MBtuh		Total System KW	Capacity MBtuh		Total System KW	Capacity MBtuh		Total System KW	Capacity MBtuh		Total System KW	Capacity MBtuh		Total System KW	Capacity MBtuh		Total System KW	Capacity MBtuh		Total System KW
		Total	Integ		Total	Integ		Total	Integ		Total	Integ		Total	Integ		Total	Integ		Total	Integ		Total	Integ	
65	1050	14.77	13.59	2.40	17.68	16.24	2.43	21.20	19.33	2.48	25.70	22.82	2.56	29.98	27.28	2.65	34.78	34.78	2.75	40.09	40.09	2.86	45.03	45.03	2.97
	1200	15.21	13.99	2.44	18.14	16.67	2.47	21.71	19.79	2.51	26.15	23.22	2.58	30.49	27.74	2.65	35.32	35.32	2.75	40.47	40.47	2.83	45.09	45.09	2.93
	1350	15.61	14.36	2.49	18.56	17.06	2.52	22.17	20.21	2.55	26.56	23.59	2.61	30.95	28.16	2.67	35.84	35.84	2.75	40.61	40.61	2.83	44.98	44.98	2.92
70	1050	13.85	12.74	2.46	16.86	15.49	2.51	20.44	18.63	2.57	25.18	22.36	2.66	29.44	26.79	2.75	34.20	34.20	2.86	39.48	39.48	2.98	44.45	44.45	3.09
	1200	14.26	13.12	2.51	17.30	15.89	2.55	20.92	19.07	2.60	25.63	22.76	2.68	29.95	27.25	2.76	34.76	34.76	2.86	39.94	39.94	2.95	44.56	44.56	3.05
	1350	14.64	13.46	2.56	17.69	16.26	2.59	21.34	19.46	2.64	26.03	23.11	2.71	30.36	27.63	2.77	35.25	35.25	2.87	40.15	40.15	2.94	44.50	44.50	3.03
75	1050	12.95	11.91	2.53	16.05	14.75	2.59	19.71	17.97	2.66	24.06	21.37	2.74	28.95	26.35	2.86	33.65	33.65	2.98	38.89	38.89	3.11	43.87	43.87	3.22
	1200	13.34	12.27	2.57	16.47	15.14	2.63	20.16	18.38	2.69	25.07	22.27	2.78	29.42	26.77	2.87	34.19	34.19	2.97	39.37	39.37	3.07	44.01	44.01	3.17
	1350	13.69	12.60	2.62	16.85	15.48	2.67	20.56	18.75	2.72	25.47	22.62	2.81	29.81	27.13	2.88	34.66	34.66	2.98	39.67	39.67	3.06	44.00	44.00	3.15

**HEATING MULTIPLIERS FOR COMBINATION RATINGS: WCH3374GKC**

HEATING INDOOR MODEL	CAPACITY	POWER	HEATING INDOOR MODEL	CAPACITY	POWER
FSM4X4200A	1.00	1.00	W*N(C,W)424CA*	0.99	0.99
W*A*364AA*	0.99	1.00	WAP*364A*	0.98	0.97
W*A*364BA*	0.99	1.00	WAP*424A*	0.99	0.95
W*A*364CA*	0.99	1.00	WAH*364B*	0.98	0.96
W*A*424CA*	0.99	0.99	WAH*424B*	0.99	0.95
W*A*424DA*	0.99	0.99	WAHA36**4A*	0.98	0.95
W*NH364BA*	0.99	1.00	WAH*364A*	0.96	0.94
W*NH424CA*	0.99	0.99	WAH*424A*	0.98	0.96
W*N(C,W)364BA*	0.99	1.00	WAX*364A*	0.98	0.91
W*NC364CA*	0.99	1.00	WAX*424A*	0.99	0.95
W*NC424BA*	1.00	0.98			

**EXPANDED HEATING: WCH3424GKC Outdoor Section With WAP\*424A\* Indoor Section**

INDOOR AIR		OUTDOOR COIL ENTERING AIR TEMPERATURES deg F																							
		-3			7			17			27			37			47			57			67		
EDB	CFM	Capacity MBtuh		Total System KW	Capacity MBtuh		Total System KW	Capacity MBtuh		Total System KW	Capacity MBtuh		Total System KW	Capacity MBtuh		Total System KW	Capacity MBtuh		Total System KW	Capacity MBtuh		Total System KW	Capacity MBtuh		Total System KW
		Total	Integ		Total	Integ		Total	Integ		Total	Integ		Total	Integ		Total	Integ		Total	Integ		Total	Integ	
65	1225	15.60	14.35	2.64	20.17	18.54	2.75	24.73	22.55	2.85	29.47	26.17	2.95	34.77	31.64	3.05	39.07	39.07	3.08	43.89	43.89	3.10	49.14	49.14	3.09
	1400	15.96	14.69	2.66	20.52	18.86	2.76	25.15	22.93	2.85	29.96	26.61	2.94	35.16	32.00	3.03	39.57	39.57	3.05	44.52	44.52	3.05	49.61	49.61	3.01
	1525	16.17	14.87	2.68	20.75	19.07	2.77	25.41	23.17	2.86	30.27	26.89	2.94	35.42	32.23	3.02	39.87	39.87	3.04	44.90	44.90	3.03	49.76	49.76	2.97
70	1225	14.87	13.68	2.80	19.40	17.83	2.88	23.98	21.87	2.97	28.70	25.49	3.06	34.24	31.16	3.17	38.52	38.52	3.21	43.24	43.24	3.23	48.43	48.43	3.23
	1400	15.18	13.97	2.82	19.76	18.16	2.90	24.40	22.25	2.98	29.18	25.91	3.06	34.67	31.55	3.15	39.00	39.00	3.17	43.85	43.85	3.18	48.95	48.95	3.15
	1525	15.33	14.10	2.84	20.00	18.37	2.91	24.66	22.49	2.99	29.49	26.19	3.06	34.94	31.79	3.14	39.30	39.30	3.16	44.23	44.23	3.16	49.17	49.17	3.11
75	1225	14.04	12.91	2.96	18.60	17.10	3.03	23.21	21.16	3.11	27.91	24.79	3.19	32.98	30.01	3.28	38.00	38.00	3.34	42.60	42.60	3.37	47.73	47.73	3.38
	1400	14.34	13.20	2.99	18.96	17.42	3.04	23.61	21.53	3.11	28.39	25.21	3.18	34.12	31.05	3.28	38.46	38.46	3.30	43.19	43.19	3.31	48.30	48.30	3.29
	1525	14.55	13.38	3.01	19.19	17.63	3.05	23.88	21.77	3.12	28.69	25.48	3.18	34.39	31.29	3.27	38.75	38.75	3.29	43.56	43.56	3.29	48.57	48.57	3.25

**HEATING MULTIPLIERS FOR COMBINATION RATINGS: WCH3424GKC**

HEATING INDOOR MODEL	CAPACITY	POWER	HEATING INDOOR MODEL	CAPACITY	POWER
WAP*424A*	1.00	1.00	WAH*484A*	1.01	0.97
WAP*484A*	1.00	0.99	WAX*424A*	1.00	0.99
WAH*424A*	1.01	1.01	WAX*484A*	1.00	0.95

EXPANDED HEATING: WCH3434GKC Outdoor Section With WAP\*424A\* Indoor Section

Table with columns for Indoor Air (EDB, CFM), Outdoor Coil Entering Air Temperatures (deg F: -3, 7, 17, 27, 37, 47, 57, 67), Capacity (MBtuh, Total, Integ), and Total System KW.

HEATING MULTIPLIERS FOR COMBINATION RATINGS: WCH3434GKC

Table with columns for Heating Indoor Model, Capacity, Power, Heating Indoor Model, Capacity, Power.

EXPANDED HEATING: WCH3484GKC Outdoor Section With WAP\*484A\* Indoor Section

Table with columns for Indoor Air (EDB, CFM), Outdoor Coil Entering Air Temperatures (deg F: -3, 7, 17, 27, 37, 47, 57, 67), Capacity (MBtuh, Total, Integ), and Total System KW.

HEATING MULTIPLIERS FOR COMBINATION RATINGS: WCH3484GKC

Table with columns for Heating Indoor Model, Capacity, Power, Heating Indoor Model, Capacity, Power.

EXPANDED HEATING: WCH3494GKC Outdoor Section With WAP\*484A\* Indoor Section

Table with columns for Indoor Air (EDB, CFM), Outdoor Coil Entering Air Temperatures (deg F: -3, 7, 17, 27, 37, 47, 57, 67), Capacity (MBtuh, Total, Integ), and Total System KW.

HEATING MULTIPLIERS FOR COMBINATION RATINGS: WCH3494GKC

Table with columns for Heating Indoor Model, Capacity, Power, Heating Indoor Model, Capacity, Power.

EXPANDED HEATING: WCH3604GKC Outdoor Section With WAX\*604A\* Indoor Section

INDOOR AIR		OUTDOOR COIL ENTERING AIR TEMPERATURES deg F																							
		-3			7			17			27			37			47			57			67		
EDB	CFM	Capacity MBtuh		Total System KW	Capacity MBtuh		Total System KW	Capacity MBtuh		Total System KW	Capacity MBtuh		Total System KW	Capacity MBtuh		Total System KW	Capacity MBtuh		Total System KW	Capacity MBtuh		Total System KW	Capacity MBtuh		Total System KW
		Total	Integ		Total	Integ		Total	Integ		Total	Integ		Total	Integ		Total	Integ		Total	Integ		Total	Integ	
65	1825	23.52	21.64	3.67	29.80	27.38	3.77	35.99	32.82	3.87	42.31	37.58	3.97	49.56	45.10	4.13	55.29	55.29	4.26	62.11	62.11	4.37	67.98	67.98	4.52
	2082	24.07	22.15	3.74	30.40	27.93	3.82	36.64	33.40	3.90	43.07	38.25	3.99	50.22	45.70	4.13	56.04	56.04	4.23	62.79	62.79	4.32	68.30	68.30	4.44
	2339	24.58	22.61	3.80	30.93	28.43	3.88	37.20	33.92	3.94	43.80	38.90	4.02	50.76	46.19	4.14	56.79	56.79	4.22	63.20	63.20	4.30	68.44	68.44	4.40
70	1825	22.29	20.50	3.82	28.67	26.35	3.92	34.96	31.88	4.03	41.23	36.62	4.14	48.89	44.49	4.32	54.50	54.50	4.45	61.26	61.26	4.56	67.08	67.08	4.71
	2082	22.83	21.01	3.88	29.27	26.90	3.97	35.61	32.46	4.06	41.96	37.27	4.15	49.53	45.07	4.31	55.23	55.23	4.42	61.98	61.98	4.50	67.46	67.46	4.63
	2339	23.32	21.46	3.95	29.81	27.39	4.03	36.18	32.98	4.11	42.61	37.85	4.18	50.06	45.55	4.32	55.95	55.95	4.41	62.43	62.43	4.48	67.63	67.63	4.58
75	1825	21.01	19.33	3.97	27.50	25.27	4.08	33.90	30.90	4.20	40.18	35.69	4.31	48.13	43.79	4.51	53.73	53.73	4.65	60.43	60.43	4.76	66.25	66.25	4.91
	2082	21.54	19.81	4.03	28.10	25.82	4.13	34.53	31.48	4.23	40.89	36.32	4.33	48.80	44.41	4.50	54.43	54.43	4.61	61.17	61.17	4.70	66.64	66.64	4.82
	2339	22.02	20.26	4.10	28.62	26.30	4.19	35.10	32.00	4.27	41.50	36.86	4.36	49.38	44.94	4.51	55.10	55.10	4.61	61.64	61.64	4.67	66.83	66.83	4.77

HEATING MULTIPLIERS FOR COMBINATION RATINGS: WCH3604GKC

HEATING INDOOR MODEL	CAPACITY	POWER
WAX*604A*	1.00	1.00
WAH*604A*	1.00	1.01

EXPANDED HEATING: WCH3614GKC Outdoor Section With WAP\*604A\* Indoor Section

INDOOR AIR		OUTDOOR COIL ENTERING AIR TEMPERATURES deg F																							
		-3			7			17			27			37			47			57			67		
EDB	CFM	Capacity MBtuh		Total System KW	Capacity MBtuh		Total System KW	Capacity MBtuh		Total System KW	Capacity MBtuh		Total System KW	Capacity MBtuh		Total System KW	Capacity MBtuh		Total System KW	Capacity MBtuh		Total System KW	Capacity MBtuh		Total System KW
		Total	Integ		Total	Integ		Total	Integ		Total	Integ		Total	Integ		Total	Integ		Total	Integ		Total	Integ	
65	1750	20.78	19.12	3.54	27.12	24.92	3.71	33.83	30.85	3.87	41.46	36.82	4.06	49.79	45.31	4.30	57.84	57.84	4.52	67.65	67.65	4.75	77.20	77.20	5.01
	2000	21.26	19.56	3.60	27.66	25.42	3.75	34.45	31.41	3.90	43.12	38.30	4.11	50.47	45.93	4.29	58.69	58.69	4.50	68.52	68.52	4.69	77.79	77.79	4.92
	2250	21.72	19.98	3.66	28.12	25.84	3.80	34.97	31.88	3.94	43.64	38.76	4.13	51.03	46.44	4.29	59.42	59.42	4.49	69.10	69.10	4.66	78.10	78.10	4.86
70	1750	19.73	18.15	3.68	26.14	24.02	3.85	32.88	29.97	4.03	40.37	35.85	4.23	49.08	44.67	4.49	57.00	57.00	4.72	66.71	66.71	4.96	76.18	76.18	5.22
	2000	20.21	18.59	3.74	26.68	24.52	3.90	33.49	30.53	4.05	41.10	36.50	4.24	49.76	45.28	4.47	57.83	57.83	4.68	67.58	67.58	4.89	76.81	76.81	5.12
	2250	20.65	19.00	3.80	27.17	24.96	3.95	34.03	31.03	4.09	41.74	37.07	4.27	50.30	45.77	4.48	58.53	58.53	4.68	68.20	68.20	4.86	77.17	77.17	5.07
75	1750	18.66	17.17	3.83	25.11	23.07	4.01	31.90	29.08	4.20	39.31	34.91	4.41	48.42	44.06	4.70	56.20	56.20	4.93	65.76	65.76	5.17	75.14	75.14	5.44
	2000	19.13	17.60	3.89	25.63	23.55	4.05	32.50	29.63	4.22	40.02	35.55	4.41	49.06	44.65	4.67	56.99	56.99	4.89	66.65	66.65	5.10	75.80	75.80	5.34
	2250	19.56	17.99	3.95	26.11	23.99	4.10	33.04	30.12	4.26	40.65	36.11	4.44	49.61	45.14	4.67	57.68	57.68	4.88	67.30	67.30	5.06	76.20	76.20	5.28

HEATING MULTIPLIERS FOR COMBINATION RATINGS: WCH3614GKC

HEATING INDOOR MODEL	CAPACITY	POWER	HEATING INDOOR MODEL	CAPACITY	POWER
WAP*604A*	1.00	1.00	W*NH604DA*	1.00	0.99
W*A*604CA*	1.00	0.99	W*N(C,W)604DA*	1.00	0.99
W*A*604DA*	1.00	0.99	WAH*604A*	0.98	0.94
			WAX*604A*	1.00	0.95

NOTES:

The Btuh heating capacities values shown are net "integrated" values from which the defrost effect has been subtracted. The Btuh heating from supplemental heaters should be added to these values to obtain total system capacity.

The Kw values include the compressor, outdoor fan motor, and indoor blower motor. The Kw from supplemental heaters should be added to these values to obtain total system kilowatts.

When the required data fall between the published data, interpolation may be performed. Extrapolation is not an acceptable practice.

**COOLING & HEATING PERFORMANCE FOR COMBINATION RATINGS  
Indoor Models**

For complete ratings information, use the AHRI website directory search: [www.AHRIdirectory.org](http://www.AHRIdirectory.org).  
New ratings may be listed online before Specification Sheets are updated.

Unit Size WCH3	Indoor Model	AHRI STANDARD RATINGS											
		COOLING						HEATING					
		Capacity	Factory Enhance	SEER				EER	High Temp		Low Temp		HSPF
				Standard	Piston	TDR	TXV		Capacity	COP	Capacity	COP	
184GKB	WAP*184A*	17,400	TDR	13.00				11.00	16,800	3.60	9,400	2.24	7.7
	WAP*244A*	17,400	TDR	13.00				11.00	16,800	3.60	9,400	2.24	7.7
	WAHA18**4A*	18,000	TDR&TXV	13.00				11.50	16,800	3.58	9,500	2.24	7.7
	WAHA24**4A*	18,000	TDR&TXV	13.20				11.70	16,300	3.62	9,400	2.30	7.8
	WAH*184A*	18,000	TDR&TXV	13.00				11.50	16,800	3.60	9,400	2.24	7.7
	WAH*244A*	18,000	TDR&TXV	13.20				11.70	16,300	3.60	9,400	2.28	7.7
	WAX*184A*	18,000	TDR&TXV	13.50				12.00	16,100	3.64	9,400	2.32	7.8
WAX*244A*	18,000	TDR&TXV	13.50				11.70	16,100	3.64	9,400	2.30	7.8	
194GKC	WAP*184A*	17,900	TDR		13.70			11.70	17,200	3.74	10,300	2.42	8.0
	WAP*244A*	17,900	TDR		13.70			11.70	17,200	3.74	10,300	2.42	8.0
	WAH*184B*	18,000	TDR&TXV	14.00				11.70	17,200	3.74	10,300	2.42	8.0
	WAH*244B*	18,000	TDR&TXV	14.00				11.70	17,200	3.74	10,300	2.42	8.0
	WAHA18**4A*	18,000	TDR&TXV	13.00				11.00	17,200	3.74	10,400	2.42	7.7
	WAHA24**4A*	18,000	TDR&TXV	13.00				11.00	17,200	3.84	10,300	2.48	7.7
	WAH*184A*	18,000	TDR&TXV	14.00				11.50	17,200	3.76	10,300	2.42	8.0
	WAH*244A*	18,200	TDR&TXV	14.00				12.00	17,200	3.80	10,300	2.46	8.0
WAX*184A*	18,000	TDR&TXV	14.50				12.20	17,200	3.90	10,300	2.50	8.2	
WAX*244A*	18,000	TDR&TXV	14.50				12.20	17,200	3.88	10,300	2.50	8.2	
244GKB	WAP*244A*	23,400	TDR	13.00				11.00	22,000	3.48	13,000	2.28	7.7
	WAP*304A*	24,000	TDR	13.50				11.50	22,000	3.64	13,000	2.36	7.7
	WAHA24**4A*	24,000	TDR&TXV	13.20				11.50	22,200	3.56	13,100	2.32	7.7
	WAHA30**4A*	24,000	TDR&TXV	13.20				11.30	22,200	3.58	13,100	2.32	7.7
	WAH*244A*	24,000	TDR&TXV	13.20				11.50	22,200	3.54	13,000	2.32	7.7
	WAH*304A*	24,000	TDR&TXV	13.70				11.70	22,200	3.66	13,000	2.38	7.8
	WAX*244A*	24,000	TDR&TXV	13.50				11.70	22,200	3.66	13,000	2.36	7.8
WAX*304A*	24,000	TDR&TXV	13.20				11.50	22,200	3.64	13,200	2.36	7.8	
254GKC	WAP*244A*	21,400	TDR		13.20			11.20	22,000	3.50	13,100	2.38	7.7
	WAP*304A*	21,800	TDR		13.20			11.20	22,200	3.56	13,200	2.40	7.8
	WAH*244B*	21,600	TDR&TXV	14.00				11.20	22,200	3.50	13,100	2.38	7.8
	WAH*304B*	22,000	TDR&TXV	14.00				11.20	22,200	3.56	13,300	2.40	7.8
	WAHA24**4A*	22,000	TDR&TXV	13.00				11.30	22,000	3.56	13,100	2.42	7.7
	WAHA30**4A*	22,000	TDR&TXV	13.00				11.70	21,600	3.60	13,100	2.46	7.7
	WAH*244A*	21,600	TDR&TXV	13.50				11.00	22,000	3.46	13,300	2.36	7.7
	WAH*304A*	22,000	TDR&TXV	14.00				11.00	21,800	3.58	13,200	2.42	7.8
	WAX*244A*	22,000	TDR&TXV	14.00				11.50	21,800	3.64	13,100	2.46	8.0
	WAX*304A*	22,200	TDR&TXV	14.50				11.70	21,400	3.62	13,100	2.46	8.0
	W*A*244AA*	21,600	TXV			13.00		10.50	22,600	3.42	13,600	2.32	7.7
	W*A*244BA*	21,600	TXV			13.00		10.50	22,600	3.42	13,600	2.32	7.7
	W*A*304AA*	21,800	TXV			13.00		10.50	22,400	3.44	13,600	2.32	7.7
	W*A*304BA*	21,800	TXV			13.00		10.50	22,400	3.44	13,600	2.32	7.7
	W*NH244BA*	21,400	TXV			13.00		10.50	22,600	3.50	13,600	2.32	7.7
	W*NH304BA*	21,800	TXV			13.00		10.50	22,400	3.46	13,600	2.34	7.7
	W*NC244AA*	21,400	TXV			13.00		10.50	22,800	3.50	13,600	2.32	7.7
W*NC244BA*	21,400	TXV			13.00		10.50	22,800	3.50	13,600	2.32	7.7	
W*NC304AA*	21,800	TXV			13.00		10.50	22,400	3.46	13,600	2.34	7.7	
W*NC304BA*	21,800	TXV			13.00		10.50	22,400	3.46	13,600	2.34	7.7	
304GKB	WAP*304A*	28,600	TDR	13.00				11.00	28,600	3.50	17,700	2.34	7.7
	WAP*364A*	28,600	TDR	13.00				11.00	28,600	3.50	17,700	2.34	7.7
	WAHA30**4A*	30,000	TDR&TXV	13.20				11.30	29,800	3.48	17,600	2.36	7.7
	WAHA36**4A*	30,000	TDR&TXV	13.00				11.20	30,000	3.52	17,800	2.36	7.7
	WAH*304A*	30,000	TDR&TXV	13.20				11.30	30,000	3.52	17,700	2.36	7.7
	WAH*364A*	30,000	TDR&TXV	13.00				11.20	30,000	3.52	17,900	2.36	7.7
	WAX*304A*	30,000	TDR&TXV	13.50				11.50	30,000	3.60	17,600	2.40	7.8
WAX*364A*	30,000	TDR&TXV	13.70				11.70	29,400	3.68	17,700	2.44	8.0	

Unit Size WCH3	Indoor Model	AHRI STANDARD RATINGS											
		COOLING							HEATING				
		Capacity	Factory Enhance	SEER				EER	High Temp		Low Temp		HSPF
Standard	Piston			TDR	TXV	Capacity	COP		Capacity	COP			
314GKC	WAP*304A*	28,800	TDR		13.20			11.20	29,200	3.50	18,000	2.42	8.0
	WAH*304B*	29,800	TDR&TXV	14.00				11.20	29,200	3.50	18,000	2.42	8.0
	WAH*364B*	29,400	TDR&TXV	13.20				11.00	29,400	3.40	18,300	2.36	7.8
	WAHA30**4A*	29,800	TDR&TXV	13.00				11.00	29,200	3.48	18,000	2.42	7.7
	WAHA36**4A*	30,000	TDR&TXV	13.00				11.00	29,200	3.54	18,100	2.44	7.7
	WAH*304A*	29,600	TDR&TXV	13.50				11.00	29,400	3.44	18,300	2.36	7.8
	WAH*364A*	29,800	TDR&TXV	13.00				11.00	29,600	3.42	18,500	2.36	7.8
	WAX*304A*	30,000	TDR&TXV	14.00				11.50	29,200	3.54	18,100	2.44	8.0
	WAX*364A*	30,000	TDR&TXV	14.50				12.00	29,200	3.70	18,000	2.52	8.2
	W*A*304AA*	29,600	TXV			13.00		10.60	29,600	3.38	18,600	2.34	7.8
	W*A*304BA*	29,600	TXV			13.00		10.60	29,600	3.38	18,600	2.34	7.8
	W*A*364AA*	29,600	TXV			13.00		10.70	29,800	3.40	18,700	2.34	7.8
	W*A*364BA*	29,600	TXV			13.00		10.70	29,800	3.40	18,700	2.34	7.8
	W*A*364CA*	29,600	TXV			13.00		10.70	29,800	3.40	18,700	2.34	7.8
	W*NH304BA*	29,600	TXV			13.00		10.60	29,600	3.40	18,700	2.34	7.8
	W*NH364BA*	29,600	TXV			13.00		10.60	29,600	3.40	18,700	2.34	7.8
	W*NC304AA*	29,600	TXV			13.00		10.60	29,600	3.40	18,700	2.34	7.8
	W*NC304BA*	29,600	TXV			13.00		10.60	29,600	3.40	18,700	2.34	7.8
W*N(C,W)364BA*	29,600	TXV			13.00		10.60	29,600	3.40	18,700	2.34	7.8	
W*NC364CA*	29,600	TXV			13.00		10.60	29,600	3.40	18,700	2.34	7.8	
364GKC	WAP*364A*	33,600	TDR	13.00				11.00	33,400	3.50	20,200	2.40	7.7
	WAP*424A*	34,200	TDR	13.50				11.50	33,400	3.76	20,800	2.56	8.0
	WAHA36**4A*	33,600	TDR&TXV	13.00				11.20	32,800	3.46	20,200	2.42	7.7
	WAH*364A*	34,400	TDR&TXV	13.50				11.70	33,400	3.62	20,600	2.48	8.0
	WAH*424A*	35,000	TDR&TXV	13.50				11.70	33,800	3.70	21,000	2.52	8.0
	WAX*364A*	35,200	TDR&TXV	14.00				12.20	33,400	3.78	20,600	2.56	8.2
WAX*424A*	35,200	TDR&TXV	14.00				12.20	33,400	3.78	20,600	2.56	8.2	
374GKC*	WAP*364A*	33,400	TDR		13.00			11.30	33,400	3.54	21,000	2.48	8.0
	WAP*424A*	34,200	TDR		13.20			11.50	33,800	3.64	21,400	2.54	8.2
	WAH*364B*	33,600	TDR&TXV	13.50				11.50	33,400	3.56	21,000	2.48	8.0
	WAH*424B*	34,400	TDR&TXV	14.00				11.50	33,800	3.64	21,400	2.54	8.2
	WAHA36**4A*	34,000	TDR&TXV	13.00				11.00	33,400	3.58	21,000	2.50	7.7
	WAH*364A*	34,000	TDR&TXV	13.70				11.50	33,000	3.60	21,200	2.52	8.0
	WAH*424A*	34,400	TDR&TXV	13.50				11.00	33,600	3.58	21,600	2.50	8.0
	WAX*364A*	34,800	TDR&TXV	14.50				12.20	33,400	3.76	21,000	2.60	8.2
	WAX*424A*	34,600	TDR&TXV	14.00				11.70	33,800	3.66	21,400	2.54	8.2
	W*A*364AA*	33,600	TXV			13.00		11.00	34,000	3.48	21,600	2.44	7.8
	W*A*364BA*	33,600	TXV			13.00		11.00	34,000	3.48	21,600	2.44	7.8
	W*A*364CA*	33,600	TXV			13.00		11.00	34,000	3.48	21,600	2.44	7.8
	W*A*424CA*	33,800	TXV			13.00		11.00	34,000	3.52	21,800	2.46	8.0
	W*A*424DA*	33,800	TXV			13.00		11.00	34,000	3.52	21,800	2.46	8.0
	W*NH364BA*	33,600	TXV			13.00		11.00	34,000	3.48	21,600	2.44	7.7
	W*NH424CA*	33,800	TXV			13.00		11.00	34,000	3.52	21,800	2.46	8.0
	W*N(C,W)364BA*	33,600	TXV			13.00		11.00	34,000	3.48	21,600	2.44	7.7
	W*NC364CA*	33,600	TXV			13.00		11.00	34,000	3.48	21,600	2.44	7.7
W*NC424BA*	34,200	TXV			13.20		11.20	34,200	3.58	21,800	2.48	8.0	
W*N(C,W)424CA*	33,800	TXV			13.00		11.00	34,000	3.52	21,800	2.46	8.0	
424GKC	WAP*424A*	41,500	TDR	13.00				11.00	39,000	3.60	24,400	2.40	8.0
	WAP*484A*	41,500	TDR	13.00				11.00	39,000	3.64	24,200	2.42	8.0
	WAH*424A*	42,000	TDR&TXV	13.00				11.00	39,500	3.60	24,400	2.38	8.0
	WAH*484A*	42,000	TDR&TXV	13.50				11.50	39,500	3.76	24,600	2.46	8.2
	WAX*424A*	42,000	TDR&TXV	13.20				11.30	39,000	3.62	24,200	2.40	8.0
	WAX*484A*	42,000	TDR&TXV	13.70				11.70	39,000	3.80	24,400	2.48	8.2

Unit Size WCH3	Indoor Model	AHRI STANDARD RATINGS											
		COOLING							HEATING				
		Capacity	Factory Enhance	SEER				EER	High Temp		Low Temp		HSPF
				Standard	Piston	TDR	TXV		Capacity	COP	Capacity	COP	
434GKC	WAP*424A*	41,000	TDR		13.00			11.50	39,000	3.68	23,800	2.46	7.7
	WAP*484A*	41,500	TDR		13.50			11.30	38,500	3.70	23,600	2.48	8.0
	WAH*424B*	41,500	TDR&TXV	13.70				11.30	39,500	3.68	23,800	2.46	7.8
	WAH*484B*	41,500	TDR&TXV	14.00				11.50	38,500	3.70	23,600	2.48	8.0
	WAH*424A*	41,500	TDR&TXV	13.70				11.00	39,000	3.66	23,800	2.44	7.8
	WAH*484A*	42,500	TDR&TXV	14.00				11.50	39,000	3.80	23,800	2.52	8.0
	WAX*424A*	41,500	TDR&TXV	14.00				11.30	38,500	3.70	23,800	2.46	8.0
	WAX*484A*	42,000	TDR&TXV	14.50				12.00	39,500	3.84	23,800	2.54	8.2
	W*A*484BA*	41,000	TXV			13.00		10.85	39,500	3.66	24,600	2.42	7.8
	W*A*484CA*	41,000	TXV			13.00		10.75	39,500	3.62	24,400	2.40	7.8
	W*A*484DA*	41,000	TXV			13.00		10.75	39,500	3.62	24,400	2.40	7.8
	W*NH424CA*	40,500	TXV			13.00		10.80	39,000	3.54	24,400	2.36	7.7
	W*NH484CA*	41,000	TXV			13.00		10.80	39,500	3.62	24,400	2.40	7.8
	W*NC424BA*	40,000	TXV			13.00		10.80	39,000	3.58	24,400	2.38	7.7
	W*N(C,W)424CA*	40,000	TXV			13.00		10.80	39,000	3.54	24,400	2.36	7.7
W*N(C,W)484CA*	41,000	TXV			13.00		10.80	39,500	3.62	24,400	2.40	7.8	
W*NC484DA*	41,000	TXV			13.00		10.80	39,500	3.62	24,400	2.40	7.8	
484GKC	WAP*484A*	47,000	TDR	13.00				11.00	45,000	3.48	28,600	2.44	8.0
	WAP*604A*	47,500	TDR&TXV	13.50				11.50	45,000	3.60	28,600	2.50	8.0
	WAH*484A*	48,000	TDR&TXV	13.20				11.70	46,000	3.58	28,600	2.50	7.8
	WAH*604A*	48,000	TDR&TXV	13.70				12.00	45,500	3.70	28,600	2.54	8.2
	WAX*484A*	48,000	TDR&TXV	13.70				11.80	46,000	3.64	28,400	2.54	8.0
	WAX*604A*	48,000	TDR&TXV	14.00				12.00	45,000	3.74	28,400	2.58	8.2
494GKC*	WAP*484A*	46,000	TDR		13.00			11.20	46,000	3.64	28,200	2.46	7.7
	WAP*604A*	48,000	TDR&TXV	14.00				11.50	45,500	3.74	28,200	2.52	8.2
	WAH*484B*	47,000	TDR&TXV	13.70				11.00	45,500	3.64	28,200	2.48	8.0
	WAH*484A*	48,000	TDR&TXV	14.00				11.50	45,500	3.74	28,200	2.52	8.2
	WAH*604A*	49,000	TDR&TXV	14.50				12.00	46,000	3.86	28,400	2.58	8.2
	WAX*484A*	48,000	TDR&TXV	14.50				12.00	45,500	3.80	28,000	2.56	8.2
	WAX*604A*	49,000	TDR&TXV	14.50				12.00	45,500	3.90	28,200	2.60	8.2
	W*A*484BA*	46,500	TXV			13.50		11.00	45,500	3.62	28,200	2.44	7.8
	W*A*484CA*	46,500	TXV			13.00		11.00	46,000	3.64	28,600	2.44	8.0
	W*A*484DA*	46,500	TXV			13.00		11.00	46,000	3.64	28,600	2.44	8.0
	W*A*604CA*	48,000	TXV			13.70		11.00	46,500	3.68	28,800	2.48	8.0
	W*A*604DA*	48,000	TXV			13.70		11.00	46,500	3.68	28,800	2.48	8.0
	W*NH484CA*	47,000	TXV			13.00		11.00	46,000	3.64	28,800	2.46	8.0
	W*NH604DA*	47,500	TXV			13.70		11.00	46,000	3.68	28,800	2.48	8.0
	W*N(C,W)484CA*	47,000	TXV			13.00		11.00	46,000	3.64	28,800	2.46	8.0
W*NC484DA*	47,000	TXV			13.00		11.00	46,000	3.64	28,800	2.46	8.0	
W*N(C,W)604DA*	47,500	TXV			13.70		11.00	46,000	3.68	28,800	2.48	8.0	
604GKC	WAX*604A*	57,500	TDR&TXV	13.00				11.00	55,000	3.64	35,400	2.56	8.0
	WAH*604A*	57,500	TDR&TXV	13.00				10.80	55,000	3.62	35,600	2.54	8.0
614GKC*	WAP*604A*	57,000	TDR&TXV	13.00				11.00	57,000	3.54	35,400	2.50	7.7
	WAH*604A*	58,000	TDR&TXV	13.70				11.00	56,000	3.70	35,400	2.58	8.0
	WAX*604A*	58,000	TDR&TXV	14.00				11.50	57,000	3.72	35,200	2.60	8.0
	W*A*604CA*	57,000	TXV			13.00		11.00	57,000	3.56	35,800	2.50	7.7
	W*A*604DA*	57,000	TXV			13.00		10.85	57,000	3.56	35,800	2.50	7.7
	W*NH604DA*	56,500	TXV			13.00		11.00	57,000	3.56	35,800	2.50	7.7
W*N(C,W)604DA*	56,500	TXV			13.00		11.00	57,000	3.56	35,800	2.50	7.7	

ACCESSORY USAGE GUIDELINES				
Accessory	Required for applications in snow belt region	Required for Low-Ambient Cooling Applications {Below 55°F (13°C)}	Required for Long Line Applications* {Over 80 Ft. (24.4m)}	Required for Seacoast Applications (Within 2 miles/3.22km)
Crankcase Heater	Standard (if required)	Yes	Yes	No
Evaporator Freeze Thermostat	No	Yes	No	No
Accumulator	Standard	Standard	Standard	Standard
Compressor Start Assist Capacitor and Relay	No	Yes	Yes	No
Low-ambient Control	No	Yes***	No	No
Support Feet	Yes	Recommended	No	Recommended
Liquid Line Solenoid Valve	No	No	See Long-Line Application Guideline	No

\* For Tubing Set lengths between 80 and 200 ft (24.4 and 61m) horizontal or 20 ft (6.1m) vertical differential, refer to the Application Guideline and Service Manual-Air Conditioners and Heat Pumps using R-410A

\*\*\* For heat pump application, isolation relay required (see kit below)

ACCESSORIES		
Part Number	Description	Used On Model Size
NASA001SC	Start Component – PTC Device	ALL
NASA001FS	Evaporator Freeze Thermostat	ALL
NASA001LS	Liquid Line Solenoid Valve	ALL
NASA001TD	Time Delay Relay, Indoor Blower	ALL
NASA001AC	Anti-Cycle Timer (5 minute delay)	ALL
NASA401LA	Low Ambient Kit (Pressure Switch)	ALL
NASA00101IK	Low Ambient Isolation Relay Kit	ALL
NASA404PS	High Pressure Switch	ALL
NASA00201SF	Support Feet, 4" (102mm) tall (5 blocks)	18, 19, 24
NASA001SF	Support Feet, 4" (102mm) tall (4 blocks)	25, 30, 31, 36, 37, 42, 43, 48, 49, 60, 61
NASA003SC	Hard Start Kit (Capacitor & Relay)	ALL
NASA003CH	Crankcase Heater for Compressor	18, 19, 24, 25, 30, 31, 36, 37
NASA001CH	Crankcase Heater for Compressor	42, 43, 48, 49, 60, 61
NASA002SJ	Sound Jacket, Compressor	18, 19, 24, 25, 30, 31
NASA001SJ	Sound Jacket, Compressor	36, 37, 42, 43, 48, 49
NASA003SJ	Sound Jacket, Compressor	60, 61
EBAC05TXVX	TXV Kit, R-410A – 2005–2009 R-22 TXV Fancoils (air handlers)	18, 19, 24, 25, 30, 31
EBAC06TXVX	TXV Kit, R-410A – 2005–2009 R-22 TXV Fancoils (air handlers)	36, 37, 42, 43
EBAC07TXVX	TXV Kit, R-410A – 2005–2009 R-22 TXV Fancoils (air handlers)	43, 48, 49, 60, 61