

FAN COILS



Use of the AHRI Certified TM Mark indicates a manufacturer's participation in the program. For verification of certification for individual products, go to www.ahrirectory.org.



Model Series	Model Size	Tons	Nom. CFM (L/s)	Dimensions H x W x D in. (mm)	Filter Size in. (mm)	Ship Wt lbs. (kg)
WAX*184A	18	1-1/2	600 (283)	49-5/8 x 17-5/8 x 22-1/16 (1261 x 448 x 560)	16-3/8 x 21-1/2 (416 x 546)	122 (55)
WAX*244A	24	2	800 (378)	49-5/8 x 17-5/8 x 22-1/16 (1261 x 448 x 560)	16-3/8 x 21-1/2 (416 x 546)	122 (55)
WAX*304A	30	2-1/2	1000 (472)	53-7/16 x 21-3/8 x 22-1/16 (1357 x 537 x 560)	19-7/8 x 21-1/2 (505 x 546)	146 (66)
WAX*364A	36	3	1200 (566)	49-5/8 x 21-3/8 x 22-1/16 (1261 x 537 x 560)	19-7/8 x 21-1/2 (505 x 546)	157 (71)
WAX*424A	42	3-1/2	1400 (661)	49-5/8 x 21-3/8 x 22-1/16 (1261 x 537 x 560)	19-7/8 x 21-1/2 (505 x 546)	157 (71)
WAX*484A	48	4	1600 (755)	53-7/16 x 24-11/16 x 22-1/16 (1357 x 627 x 560)	23-5/16 x 21-1/2 (592 x 546)	185 (84)
WAX*604A	60	5	2000 (944)	59-3/16 x 24-11/16 x 22-1/16 (1503 x 627 x 560)	23-5/16 x 21-1/2 (592 x 546)	201 (91)

* L = Aluminum Tube, Aluminum Fin Evaporator
 M = Copper Tube, Aluminum Fin Evaporator
 T = Tin Coated Copper Tube, Aluminum Fin Evaporator

ALL MODELS

- 1-1/2 thru 5 tons
- Environmentally Sound R-410A systems
- Multiposition installation – Upflow or horizontal left standard.
 - Horizontal right with minor modification.
 - Field convertible to downflow with available accessory kit.
- TXV metering device factory installed
- Sweat connections
- Primary and secondary drain fittings with brass inserts
- 3 amp automotive type fuse in wire harness
- Multiple electrical entry locations
- Time delay relay (TDR) programmed in motor
- Field installed heater packages from 5 kW – 30 kW available separately
- HUD approved for manufactured housing
- 208/230-1-60 supply voltage
- Units tested and certified by manufacturer to achieve a 2% or less leakage rate at 1.0 inch water column
- 1 inch (25mm) thick insulation with R value of 4.2
- ECM motor
- No Heat (Plug) Kit factory installed
- Filter (washable) factory supplied

LIMITED WARRANTY*

- 5 year parts limited warranty
 - With timely registration, an additional 5 year parts limited warranty
- * For owner occupied, residential applications only. See warranty certificate for complete details and restrictions, including warranty coverage for other applications.

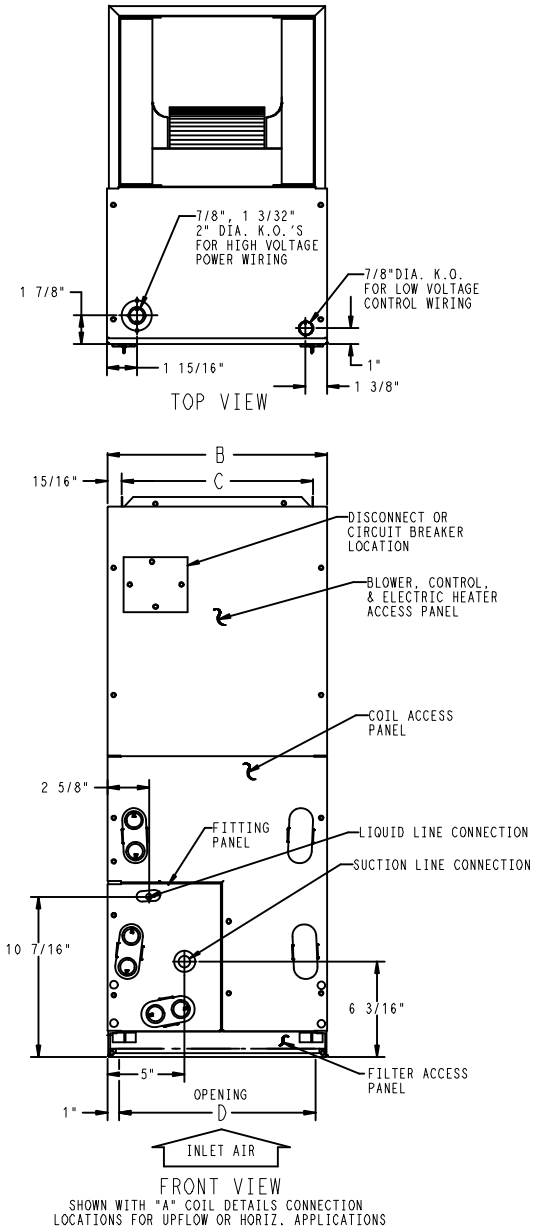
WAXL, WAXM, WAXT

Product Specifications

FAN COIL MODEL NUMBER IDENTIFICATION GUIDE							
Digit Position:	1, 2	3	4	5, 6	7	8	9
Example Part Number:	WA	X	M	24	4	A	1
WA = Air Handler							
X = High Efficiency Motor		MOTOR TYPE					
L = Multiposition Aluminum Tube, Aluminum Fin Evaporator Coil							
M = Multiposition Copper Tube, Aluminum Fin Evaporator Coil							
T = Multiposition Tin Coated Copper Tube, Aluminum Fin Evaporator Coil							
INSTALLATION TYPE							
18 = 18,000 BTU/hr = 1-1/2 TONS							
24 = 24,000 BTU/hr = 2 TONS							
30 = 30,000 BTU/hr = 2-1/2 TONS							
36 = 36,000 BTU/hr = 3 TONS							
42 = 42,000 BTU/hr = 3-1/2 TONS							
48 = 48,000 BTU/hr = 4 TONS							
60 = 60,000 BTU/hr = 5 TONS							
NOMINAL COOLING CAPACITY							
4 = R-410A						REFRIGERANT	
SALES DIGIT							
EXTRA DIGIT							

ACCESSORIES PART NUMBER IDENTIFICATION GUIDE					
	EB	AC	01	NCB	A
EB = Evaporator Blower					
AC = Accessory					
01 = Product Identifier Number					
NCB = Non-Combustible Base Kit					
DFK = Down Flow Kit					
PLG = Power Plug (no heat kit)					
SPK = Single Point Wiring Kit					
FKS = Filter Kit Small					
FKM = Filter Kit Medium					
FKL = Filter Kit Large					
FKX = Filter Kit Extra Large					
CTK = Condensate Trap Kit (PVC pipe)					
Sales Code					

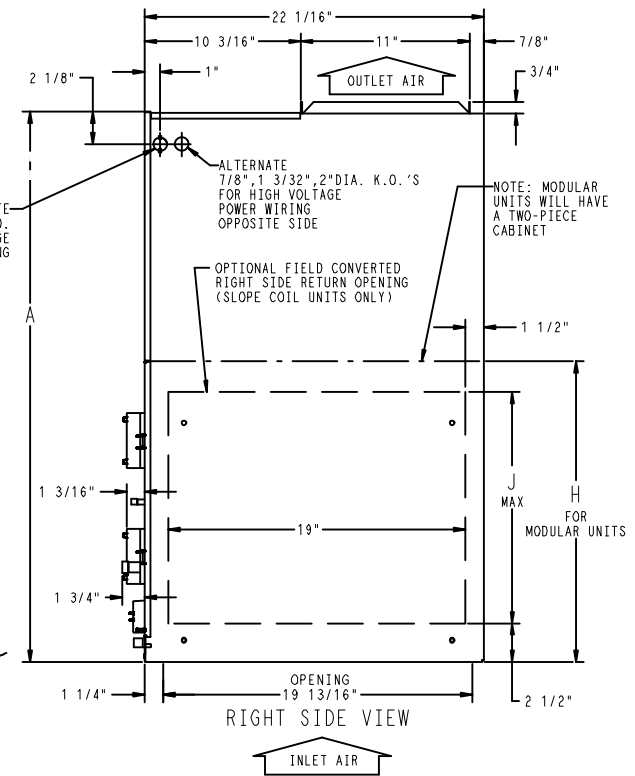
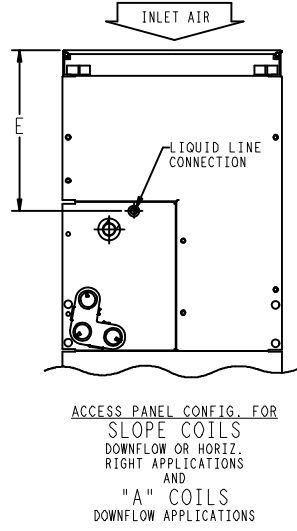
ELECTRIC HEATER MODEL NUMBER IDENTIFICATION GUIDE						
	EHK	05	A	K	N	1
EHK = Electric Heater Kit						
05 = 5 kW						
07 = 7 kW						
09 = 9 kW						
10 = 10 kW						
15 = 15 kW						
18 = 18 kW						
20 = 20 kW						
25 = 25 kW						
30 = 30 kW						
NOMINAL HEAT VALUE						
Sales Code						
K = 208 / 230 single-phase						
H = 208 / 230, 3-phase						
KC = 208 / 230, supplied as single phase, field convertible to 3-phase						
HC = 208 / 230 supplied as 3-phase, field convertible to single phase						
VOLTAGE (60 Hz)						
Product Identifier						
Engineering Code						



UNIT CONNECTION SIZES

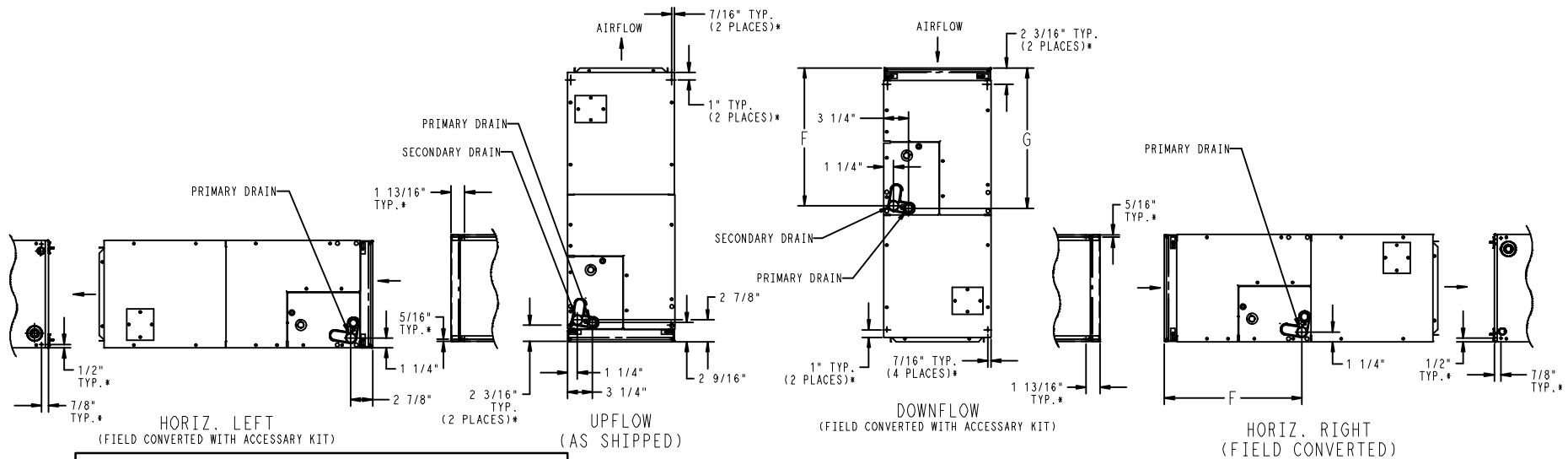
SUCTION: 18 & 24 - 5/8" I.D. SWEAT
 30 THRU 36 - 3/4" I.D. SWEAT
 42 THRU 60 - 7/8" I.D. SWEAT
 LIQUID: 3/8" I.D. SWEAT
 CONDENSATE: 3/4" FPT

NOTE: ALLOW 21" FROM FRONT FOR SERVICE

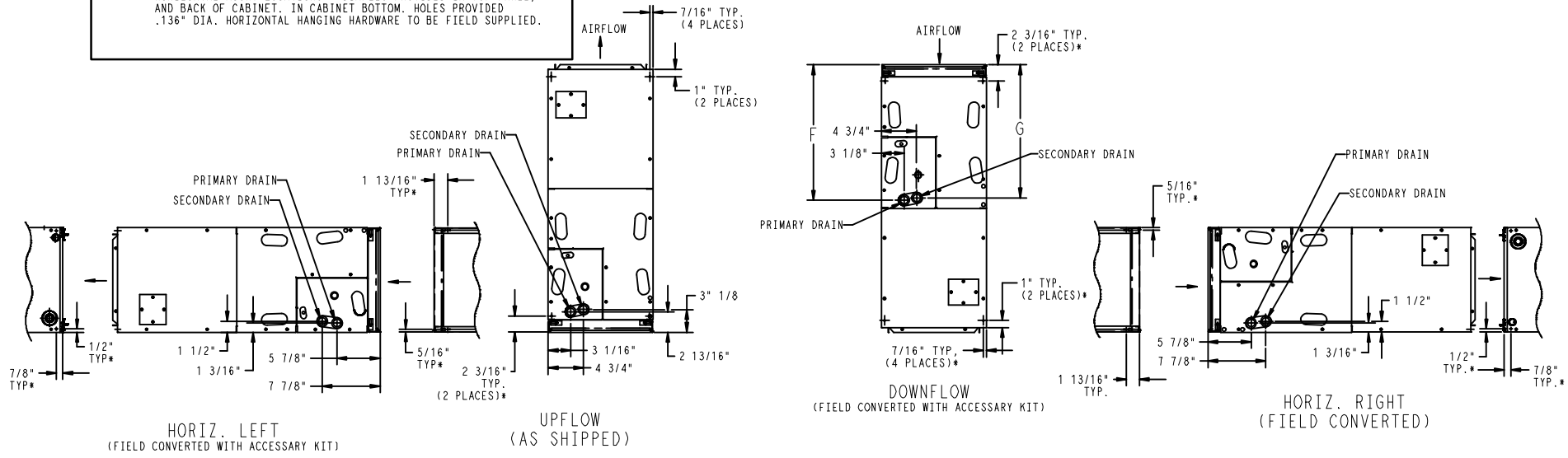


SD4962-4_A

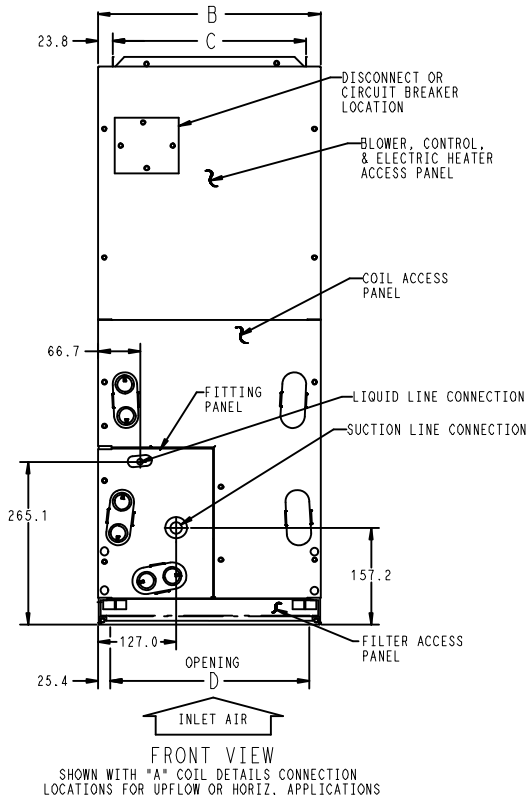
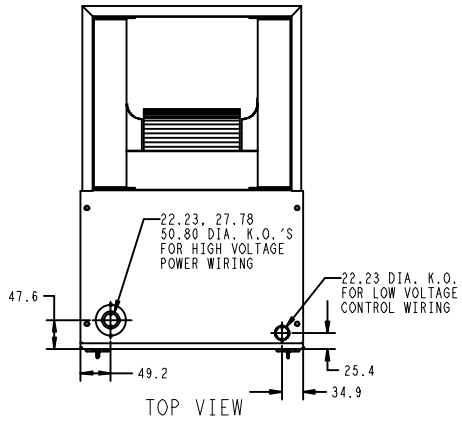
Dimensions Inches (English)



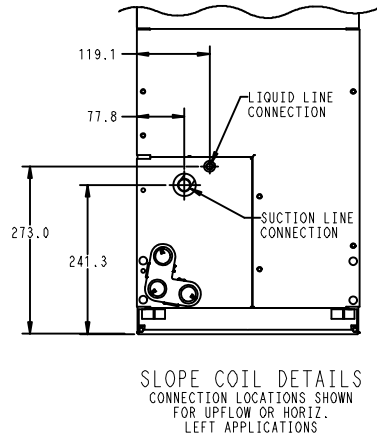
* HORIZONTAL MOUNT LOCATIONS - DIMPLES PROVIDED IN TOP PANEL, AND BACK OF CABINET. IN CABINET BOTTOM. HOLES PROVIDED .136" DIA. HORIZONTAL HANGING HARDWARE TO BE FIELD SUPPLIED.



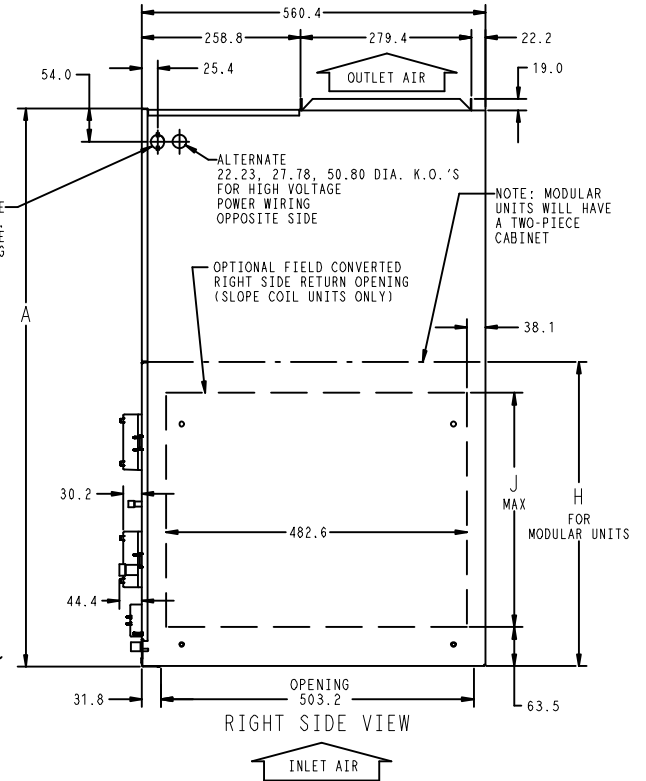
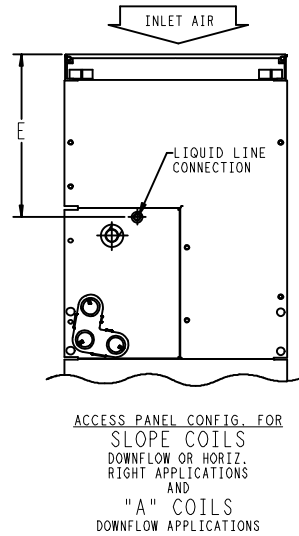
Dimensions Inches (English)



UNIT CONNECTION SIZES
 SUCTION: 18 & 24 - 15.88 I.D. SWEAT
 30 THRU 36 - 19.05 I.D. SWEAT
 42 THRU 60 - 22.23 I.D. SWEAT
 LIQUID: 9.53 I.D. SWEAT
 CONDENSATE: 19.0 FPT

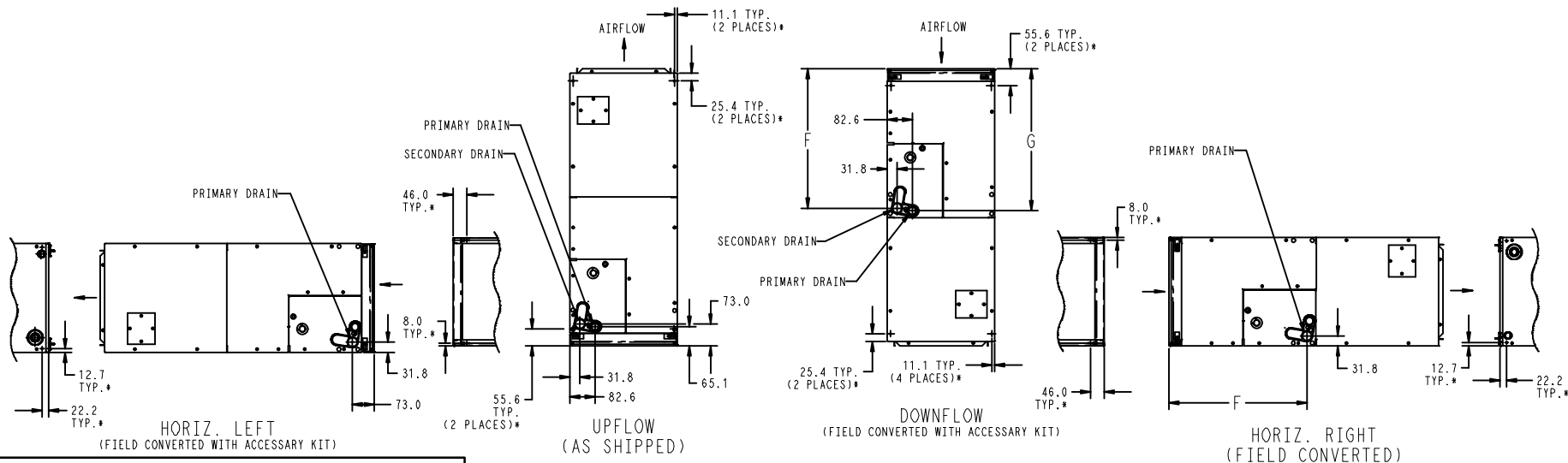


NOTE: ALLOW 533.4 FROM FRONT FOR SERVICE
 ALTERNATE 22, 23 DIA. K.O. FOR LOW VOLTAGE CONTROL WIRING

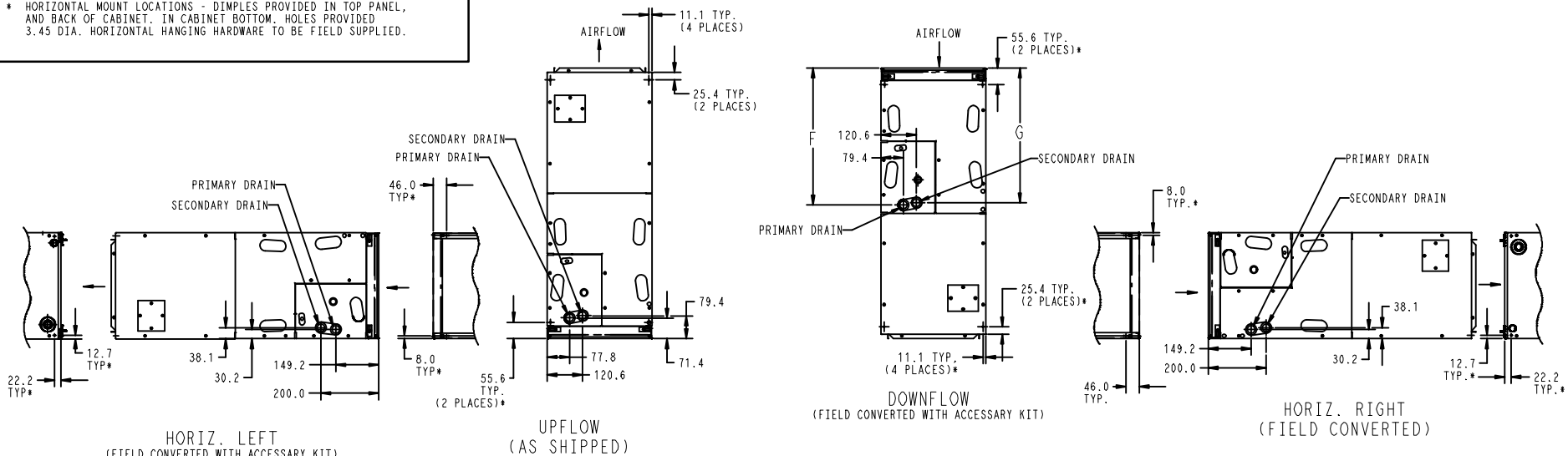


Dimensions MM (SI Metric)

SLOPE COIL



* HORIZONTAL MOUNT LOCATIONS - DIMPLES PROVIDED IN TOP PANEL, AND BACK OF CABINET. IN CABINET BOTTOM. HOLES PROVIDED 3.45 DIA. HORIZONTAL HANGING HARDWARE TO BE FIELD SUPPLIED.



A-COIL

Dimensions MM (SI Metric)

6 Specifications are subject to change without notice. 496 55 7101 00

DIMENSIONAL DATA (refer to drawings on previous pages)

Model	Size (tons)	Dimensions inches (mm)											Coil Type	Ship. Weight lbs (kg)
		A	B	C	D	E	F	G	H	J	Suct	Liquid		
184A	1-1/2	49-5/8 (1261)	17-5/8 (448)	15-3/4 (400)	15-5/8 (397)	15-3/8 (391)	23-1/8 (587)	23-5/8 (600)	—	17 (305)	5/8 (16)	3/8 (10)	Slope	122 (55)
244A	2	49-5/8 (1261)	17-5/8 (448)	15-3/4 (400)	15-5/8 (397)	15-3/8 (391)	23-1/8 (587)	23-5/8 (600)	—	17 (432)	5/8 (16)	3/8 (10)	Slope	122 (55)
304A	2-1/2	53-7/16 (1357)	21-1/8 (537)	19-1/4 (489)	19-1/8 (486)	19-3/16 (487)	26-15/16 (684)	27-1/2 (699)	—	19 (483)	3/4 (19)	3/8 (10)	Slope	146 (66)
364A	3	49-5/8 (1261)	21-1/8 (537)	19-1/4 (489)	19-1/8 (486)	15-11/16 (399)	23-7/16 (595)	23-1/8 (587)	—	—	3/4 (19)	3/8 (10)	"A"	157 (71)
424A	3-1/2	49-5/8 (1261)	21-1/8 (537)	19-1/4 (489)	19-1/8 (486)	15-11/16 (399)	23-7/16 (595)	23-1/8 (587)	—	—	7/8 (22)	3/8 (10)	"A"	157 (71)
484A	4	53-7/16 (1357)	24-11/16 (627)	22-3/4 (578)	22-11/16 (576)	19-1/2 (495)	27-1/4 (692)	26-15/16 (684)	—	—	7/8 (22)	3/8 (10)	"A"	185 (84)
604A	5	59-3/16 (1503)	24-11/16 (627)	22-3/4 (578)	22-11/16 (576)	25-1/4 (641)	32-15/16 (837)	32-5/8 (829)	34 1/16 (865)	—	7/8 (22)	3/8 (10)	"A"	201 (91)

PHYSICAL DATA

	Model Size						
	18	24	30	36	42	48	60
Blower Data							
CFM nominal (L/s)	600 (283)	800 (378)	1000 (472)	1200 (566)	1400 (661)	1600 (755)	2000 (944)
Motor type	High efficiency ECM						
HP	1/3	1/3	1/2	1/2	1/2	3/4	3/4
Filter Data (factory installed, washable)							
Filter Size in. (mm)	16-3/8 x 21-1/2 (416 x 546)		19-7/8 x 21-1/2 (505 x 546)			23-5/16 x 21-1/2 (592 x 546)	
Coil Data (all coils 14-1/2 fins per inch, wavy lanced bare aluminum fin)							
Face area ft ² (m ²)	2.97 (0.28)	2.97 (0.28)	3.46 (0.32)	4.45 (0.41)	4.45 (0.41)	5.93 (0.55)	7.42 (0.69)
Refrigerant Line Connections (sweat)							
Liquid inch (mm)	3/8 (10)	3/8 (10)	3/8 (10)	3/8 (10)	3/8 (10)	3/8 (10)	3/8 (10)
Suction inch (mm)	5/8 (16)	5/8 (16)	3/4 (19)	3/4 (19)	7/8 (22)	7/8 (22)	7/8 (22)

ELECTRICAL DATA, FAN COIL ONLY WITHOUT ELECTRIC HEAT

Model Size	208/230V, single phase, 60 Hz		
	Motor Full Load Amps (FLA)	Minimum Circuit Ampacity (MCA)	Maximum Fuse/Ckt Bkr Amps (Max OverCurrent Protection – MOCP)
184A	2.8	3.5	15
244A	2.8	3.5	15
304A	4.1	5.1	15
364A	4.1	5.1	15
424A	4.1	5.1	15
484A	6.0	7.5	15
604A	6.0	7.5	15

AIRFLOW PERFORMANCE – CFM at a given Speed and Static reading							
Model Size	Blower Speed	Measured Static Pressure, inlet to outlet (inches water column)					
		0.10	0.20	0.30	0.40	0.50	0.60
184A	Tap 5	776	745	696	660	609	572
	Tap 4	683	644	589	548	494	461
	Tap 3	683	644	589	548	494	461
	Tap 2	631	563	500	443	409	361
	Tap 1	625	524	457	417	367	319
244A	Tap 5	956	920	891	851	816	780
	Tap 4	825	795	757	722	674	634
	Tap 3	825	795	757	722	674	634
	Tap 2	726	695	635	598	543	509
	Tap 1	631	563	500	443	409	361
304A	Tap 5	1189	1151	1104	1050	1003	959
	Tap 4	1041	998	944	886	837	772
	Tap 3	1041	998	944	886	837	772
	Tap 2	924	876	817	752	704	660
	Tap 1	779	693	628	571	526	476
364A	Tap 5	1363	1332	1294	1253	1207	1157
	Tap 4	1237	1206	1160	1121	1070	1013
	Tap 3	1237	1206	1160	1121	1070	1013
	Tap 2	1095	1058	1007	951	888	824
	Tap 1	1014	885	773	673	609	549
424A	Tap 5	1519	1490	1454	1419	1379	1332
	Tap 4	1437	1403	1366	1333	1294	1245
	Tap 3	1437	1403	1366	1333	1294	1245
	Tap 2	1257	1226	1191	1141	1090	1033
	Tap 1	1237	1206	1160	1121	1070	1013
484A	Tap 5	1757	1725	1693	1653	1614	1576
	Tap 4	1664	1626	1593	1552	1517	1477
	Tap 3	1664	1626	1593	1552	1517	1477
	Tap 2	1459	1420	1379	1336	1298	1259
	Tap 1	1301	1241	1195	1150	1102	1039
604A	Tap 5	2030	1995	1961	1927	1888	1842
	Tap 4	1811	1775	1740	1703	1664	1613
	Tap 3	1811	1775	1740	1703	1664	1613
	Tap 2	1665	1632	1593	1556	1507	1453
	Tap 1	1462	1418	1371	1327	1278	1228

NOTES:

- Airflow based upon dry coil at 230v with factory approved filter and electric heater (2 element heater sizes 18 through 36, 3 element heater sizes 42 through 60).
- Airflow at 208 volts is approximately the same as 230 volts because the X13 motor is a constant torque motor. The torque doesn't drop off at the speeds the motor operates.
- To avoid potential for condensate blowing out of drain pan prior to making drain trap: Return static pressure must be less than 0.40 in. wc. Horizontal applications of 42 – 60 sizes must have supply static greater than 0.20 in. wc.
- Airflow above 400 cfm/ton on 48 – 60 size could result in condensate blowing off coil or splashing out of drain pan.
- Shading – Airflow outside 450 cfm/ton.

STATIC PRESSURE DROP ACROSS FILTER (inches of water column)									
Model Size	CFM								
	400	600	800	1000	1200	1400	1600	1800	2000
184A	.020	.044	.075	–	–	–	–	–	–
244A	–	.022	.048	.072	.100	–	–	–	–
304A	–	.022	.048	.072	.100	–	–	–	–
364A	–	–	–	.051	.070	.092	.120	.152	–
424A	–	–	–	.051	.070	.092	.120	.152	–
484A	–	–	–	.051	.070	.092	.120	.152	–
604A	–	–	–	–	–	–	.086	.105	.130

STATIC PRESSURE CORRECTION FROM DRY TO WET COIL (inches of water column)

Airflow performance chart was developed using fan coils with DRY coils. When taking a static reading across a WET coil, adjust the static pressure numbers by **adding** the values in this table (for a given CFM, wet coil will have greater static pressure drop than dry coil).

Model Size	CFM															
	500	600	700	800	900	1000	1100	1200	1300	1400	1500	1600	1700	1800	1900	2000
184A	.034	.049	.063	-	-	-	-	-	-	-	-	-	-	-	-	-
244A	.016	.027	.038	.049	.059	-	-	-	-	-	-	-	-	-	-	-
304A	-	-	-	.049	.059	.070	.080	-	-	-	-	-	-	-	-	-
364A	-	-	-	-	-	.055	.064	.073	.081	-	-	-	-	-	-	-
424A	-	-	-	-	-	-	-	.049	.056	.063	.070	-	-	-	-	-
484A	-	-	-	-	-	-	-	-	-	.038	.043	.049	.054	.059	-	-
604A	-	-	-	-	-	-	-	-	-	-	-	.027	.031	.035	.039	.043

STATIC PRESSURE CORRECTION FOR ELECTRIC HEATERS (inches of water column)

Airflow performance chart was developed using fan coils with 10 kW electric heater (2 elements) in the 18 – 36 model sizes, and 15 kW electric heaters (3 elements) in the 42 – 60 model sizes. When using a different number of heater elements, adjust the static pressure numbers by adding or subtracting the values in this table (for a given CFM, more electric heater elements create higher static pressure drop).

Model Size	Heater kW				
	No Heater	3 or 5	8 or 10	9 or 15	20
	Number of Heat Elements				
	0	1	2	3	4
184A	+0.02	+0.01	0	-0.02	-0.04
244A	+0.02	+0.01	0	-0.02	-0.04
304A	+0.02	+0.01	0	-0.02	-0.04
364A	+0.02	+0.01	0	-0.02	-0.04
424A	+0.04	-	+0.02	0	-0.02
484A	+0.04	-	+0.02	0	-0.02
604A	+0.04	-	+0.02	0	-0.02

ELECTRIC HEATER ELECTRICAL DATA

Heater Model	Heater kW		P H A S E	INTERNAL CIRCUIT PROTECTION	HEATER AMPS 208/230V		BRANCH CIRCUIT															
							Min Ampacity ☆ 208/230V			Min Wire Size (AWG) 208/230V †			Min Gnd Wire Size 208/230V			Max Fuse/Ckt Bkr Amps 208/230V			Max Wire Length 208/230V (FT) ‡			
	230v	208v			Single Circuit	Dual Circuit		Single Circuit	Dual Circuit		Single Circuit	Dual Circuit		Single Circuit	Dual Circuit		Single Circuit	Dual Circuit		Single Circuit	Dual Circuit	
						L1,L2	L3,L4		L1,L2	L3,L4		L1, L2	L3, L4		L1, L2	L3,L4		L1,L2	L3,L4		L1,L2	L3,L4
EHK05AKN*	5	3.8	1	None	18.1/20.0	—	—	26.0/28.4	—	—	10/10	—	—	10/10	—	—	30/30	—	—	66/66	—	—
EHK05AKN**	5	3.8	1	None	18.1/20.0	—	—	31.2/33.5	—	—	8/8	—	—	10/10	—	—	35/35	—	—	85/88	—	—
EHK05AKB*	5	3.8	1	Ckt Bkr	18.1/20.0	—	—	26.0/28.4	—	—	10/10	—	—	10/10	—	—	30/30	—	—	66/66	—	—
EHK05AKB**	5	3.8	1	Ckt Bkr	18.1/20.0	—	—	31.2/33.5	—	—	8/8	—	—	10/10	—	—	35/35	—	—	85/88	—	—
EHK07AKN	8	6.0	1	None	28.9/32.0	—	—	44.7/48.5	—	—	8/8	—	—	10/10	—	—	45/50	—	—	59/60	—	—
EHK07AKB	8	6.0	1	Ckt Bkr	28.9/32.0	—	—	44.7/48.5	—	—	8/8	—	—	10/10	—	—	45/50	—	—	59/60	—	—
EHK09AKCN†	9	6.8	1	None	32.8/36.0	—	—	49.5/53.5	—	—	8/6	—	—	10/10	—	—	50/60	—	—	54/87	—	—
	9	6.8	3	None	18.8/20.8	—	—	32.0/34.5	—	—	8/8	—	—	10/10	—	—	35/35	—	—	83/85	—	—
EHK10AKN	10	7.5	1	None	36.2/40.0	—	—	53.8/58.5	—	—	6/6	—	—	10/10	—	—	60/60	—	—	78/80	—	—
EHK10AKB	10	7.5	1	Ckt Bkr	36.2/40.0	—	—	53.8/58.5	—	—	6/6	—	—	10/10	—	—	60/60	—	—	78/80	—	—
EHK15AKF	15	11.3	1	Fuse	54.2/59.9	36.2/40.0	18.1/20.0	76.3/83.4	53.8/58.5	22.7/25.0	4/4	6/6	10/10	8/8	10/10	10/10	80/90	60/60	25/25	88/89	78/80	75/76
EHK15AKB	15	11.3	1	Ckt Bkr	—	36.2/40.0	18.1/20.0	—	53.8/58.5	22.7/25.0	—	6/6	10/10	—	10/10	10/10	—	60/60	25/25	—	78/80	75/76
EHK15AHN	15	11.3	3	None	31.3/34.6	—	—	47.7/51.8	—	—	8/6	—	—	10/10	—	—	50/60	—	—	56/90	—	—
EHK18AHN	18	13.5	3	None	37.6/41.5	—	—	55.5/60.4	—	—	6/6	—	—	10/8	—	—	60/70	—	—	76/77	—	—
EHK20AKF	20	15.0	1	Fuse	72.3/79.9	36.2/40.0	36.2/40.0	98.9/108.4	53.8/58.5	45.3/50.0	3/2	6/6	8/8	8/6	10/10	10/10	100/110	60/60	50/50	85/109	78/80	59/59
EHK20AKB	20	15.0	1	Ckt Bkr	—	36.2/40.0	36.2/40.0	—	53.8/58.5	45.3/50.0	—	6/6	8/8	—	10/10	10/10	—	60/60	50/50	—	78/80	59/59
EHK25AHCF‡	24	18.0	3	Fuse	50.1/55.4	—	—	71.2/77.8	—	—	4/4	—	—	8/8	—	—	80/80	—	—	94/95	—	—
	24	18.0	1	Fuse	86.7/95.5	—	—	116.9/127.9	—	—	1/1	—	—	6/6	—	—	125/150	—	—	115/116	—	—
EHK30AHCF‡	30	22.5	3	Fuse	62.6/69.2	—	—	86.8/95.0	—	—	3/3	—	—	8/8	—	—	90/100	—	—	97/98	—	—
	30	22.5	1	Fuse	109.0/120.0	—	—	144.8/158.5	—	—	0/00	—	—	6/6	—	—	150/175	—	—	117/150	—	—

FIELD MULTIPOINT WIRING OR 24 AND 30 KW SINGLE PHASE

Heater Model	Heater kW		P H A S E	Heater Amps 208/230V			Minimum Circuit Ampacity 208/230V ☆			Minimum Wire Size (AWG) 208/230V †			Min Gnd Wire Size 208/230 V	Max Fuse/Ckt Bkr Amps 208/230V			Max Wire Length 208/230V (FT) ‡		
				L1, L2	L3, L4	L5, L6	L1, L2	L3, L4	L5, L6	L1, L2	L3, L4	L5, L6		L1, L2	L3, L4	L5, L6	L1, L2	L3, L4	L5, L6
EHK25AHCF‡	24	18.0	1	28.9/32.0	28.9/32.0	28.9/32.0	44.7/48.5	36.2/40.0	36.2/40.0	8/8	8/8	8/8	10/10	45/50	40/40	40/40	59/60	73/73	73/73
EHK30AHCF‡	30	22.5	1	36.2/40.0	36.2/40.0	36.2/40.0	53.8/58.5	45.3/50.0	45.3/50.0	6/6	8/8	8/8	10/10	60/60	50/50	50/50	78/80	59/59	59/59

NOTES:

- 1 Copper wire must be used. If other than uncoated (non-plated), 75° C ambient, copper wire (solid wire for 10 AWG and smaller, stranded wire for larger than 10 AWG) is used, consult applicable tables of the National Electric Code (ANSI/NFPA 70).
- * When used with Fan Coil model sizes 24 - 36.
- ** When used with Fan Coil model sizes 42 - 60.
- ☆ Includes blower motor amps of largest Fan Coil used with heater.
- † Supplied as single phase, field convertible to 3-phase.
- ‡ Supplied as 3-phase, field convertible to single phase, single or multiple supply circuits.
- ‡‡ Length shown is as measured one way along wire path between unit and service panel for a voltage drop not to exceed 2%.

ACCESSORIES		
Part Number	Description	Use with model size
EBAC01DSC	Disconnect Kit	use with All Heaters 5 kW thru 10 kW
EBAC02NCB	Downflow Base Kit	18, 24
EBAC03NCB		30, 36, 42, 48
EBAC04NCB		60
EBAC01DFS	Downflow Conversion Kit – Slope Coil	18, 24, 30
EBAC02DFA	Downflow Conversion Kit – “A” Coil	36, 42, 48, 60
EBAC01SPK	Single Point Wiring Kit	only for use with 15 kW & 20 kW fused heaters
AMFK20SPA or Square D® part # QOU14100JBAF	Single Point Wiring Kit – Square D® Jumper Bar Assembly	Only for use with EHK15AKB and EHK20AKB breaker heaters
EBAC01FKM	Filter Kit (washable, box of 12)	18, 24
EBAC01FKL		30, 36, 42
EBAC01FKX		48, 60
NASA00201FR	Standard Filter Rack (16 x 20 x 1 filter required)	18, 24
NASA00301FR	Standard Filter Rack (20 x 20 x 1 filter required)	30, 36, 42
NASA00401FR	Standard Filter Rack [quantity 2] (12 x 20 x 1 filter required)	48, 60
EBAC01PLG	No Heat (Plug) Kit (box of 6)	Factory Installed (1 ea.)
EBAC01CTK	PVC Condensate Trap Kit (box of 50)	ALL
EBAC01GSK	Horizontal Gasket Kit	ALL (required for horizontal right and downflow)

ELECTRIC HEATERS		
Part Number	Description	Use with Models
EHK05AKN	5 kW, single phase, no internal circuit protection	ALL
EHK05AKB	5 kW, single phase, with circuit breakers	ALL
EHK07AKN	8 kW, single phase, no internal circuit protection	ALL
EHK07AKB	8 kW, single phase, with circuit breakers	ALL
EHK09AKCN	9 kW, supplied as single phase, field convertible to 3-phase, no internal circuit protection	36, 42, 48, 60
EHK10AKN	10 kW, single phase, no internal circuit protection	ALL
EHK10AKB	10 kW, single phase, with circuit breakers	ALL
EHK15AKF	15 kW, single phase, with fuses	24, 30, 36, 42, 48, 60
EHK15AKB	15 kW, single phase, with circuit breakers	24, 30, 36, 42, 48, 60
EHK15AHN	15 kW, 3-phase, no internal circuit protection	36, 42, 48, 60
EHK18AHN	18 kW, 3-phase, no internal circuit protection	42, 48, 60
EHK20AKF	20 kW, single phase, with fuses	30, 36, 42, 48, 60
EHK20AKB	20 kW, single phase, with circuit breakers	30, 36, 42, 48, 60
EHK25AHCF	24 kW, supplied as 3-phase, field convertible to single phase, with fuses	48, 60
EHK30AHCF	30 kW, supplied as 3-phase, field convertible to single phase, with fuses	48, 60