

Hef-T-Bracket

PRODUCT

230-B3M, 230-B3L

PURPOSE

The DiversiTech Hef-T-Bracket is used for supporting condensing units.

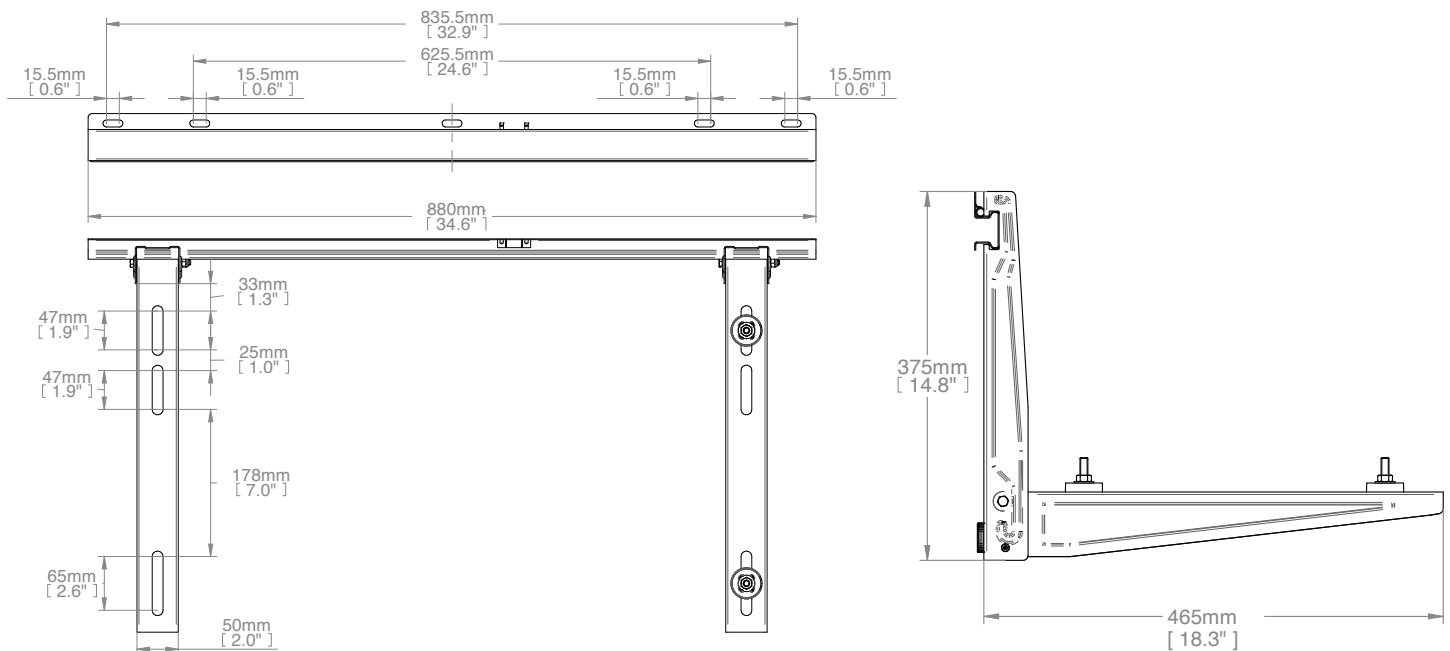
FEATURES

- 16 GA powder-coated steel
- Cross bar with pre-drilled slots for mounting to walls with studs at 12" or 16" on center
- L-shaped brackets with hooking to align with crossbar
- Assembly hardware for installation

GENERAL SPECIFICATIONS

- Amount per box: 1 EA
- Maximum mounting width: 32.9 in
- 500 lb. holding capacity
- Arm length: 18.3 in. (230-B3M) | 21.7 in. (230-B3L)

230-B3M DIAGRAMS



230-B3L DIAGRAMS

