

Description

Low noise ceiling mount ventilating fan rated for continuous running. Fan is ENERGY STAR[®] qualified, HVI-certified, ASHRAE 62.2 (continuous and intermittent operation) and CA Title 24 compliant, and is evaluated by Underwriter Laboratories, conforming to both UL and cUL safety standards.

Motor/Blower

- Power rating of 120volts / 60Hz
- DC brushless motor engineered to run continuously
- Motor equipped with thermal cutoff fuse
- Removable with permanently lubricated plug-in motor

Housing

- Galvanized steel body
- Detachable 6" diameter metal duct adapter
- Built-in backdraft damper
- Easy installation with expandable extension bracket

Grille

- Attractive design using ABS material
- Attaches directly to housing with torsion springs

Warranty

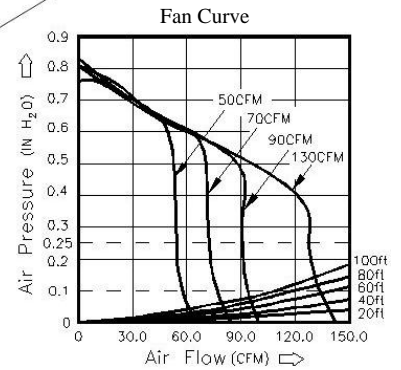
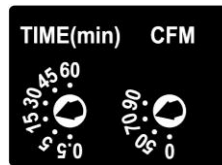
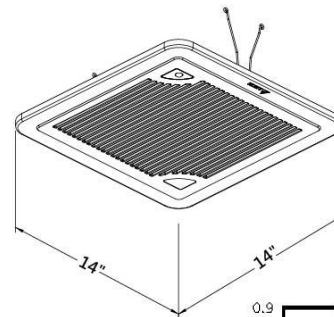
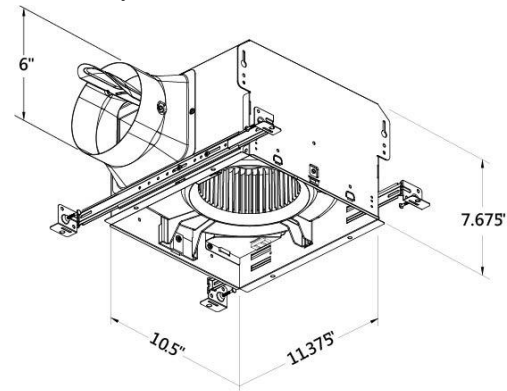
- 3-year limited warranty

Feature

- Green and amber LED indicator lights to show continuous low speed and full speed modes
- For ceiling mount only, airflow of 130 CFM ($\pm 10\%$) and < 0.3 sones at 0.1" static pressure
- Power consumption approximately 11.6 Watts with an efficiency rating approximately 11.2 CFM/Watt at 0.1" static pressure
- UL and cUL listed for tub/shower enclosure when used with GFCI-protected branch circuit wiring
- When motion is detected, fan runs at full speed (130 CFM). When user leaves, fan remains running at full speed until user-preset delay time has passed. Fan runs continuously at a user-preset lower level (0, 50, 70, 90 CFM)
- Adjustable delay time preset positions (0.5, 5, 15, 30, 45, 60 minutes)

DC Motor Technology

- Built-in soft start function to increase bearings' life.
- Automatically powers off when the impeller is locked abnormally.



BreezSmart SMT130M	Continuous low speed						Full speed	
	0.1	0.25	0.1	0.25	0.1	0.25	0.1	0.25
Static Pressure (inches w.g.)	0.1	0.25	0.1	0.25	0.1	0.25	0.1	0.25
Air Flow (CFM)	50	49	70	68	90	88	130	124
Sones	<0.3	0.7	<0.3	0.7	<0.3	0.7	<0.3	0.7
Power Consumption (Watts)	5.6	10.7	6.9	12.0	8.0	14.0	11.6	20.0
Energy Efficiency (CFM/Watt)	8.9	4.5	10.1	5.6	11.2	6.2	11.2	6.2
Current (Amps)	0.44 Max.							
Power Rating (V/Hz)	120 / 60							



Model	Quantity	Comments	Project:
			Location:
			Architect:
			Engineer:
			Contractor:
			Submitted by:
			Date: