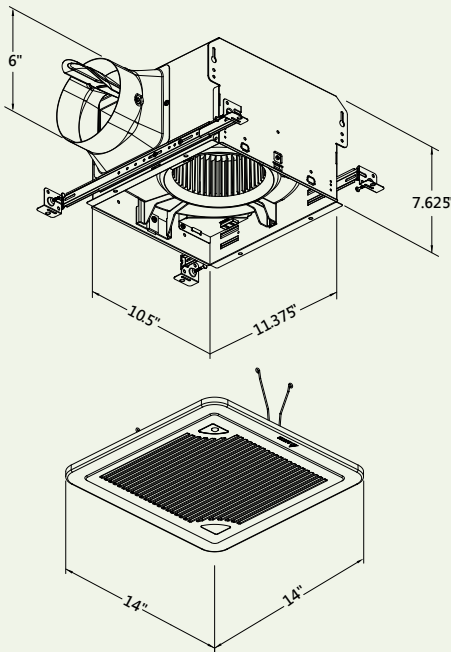




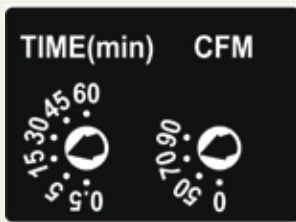
Delta BreezSmart Ventilation Motion Sensor Fan Specifications

SMT130M
(130 CFM)

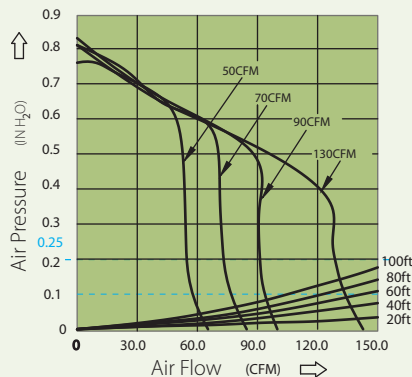
Dimensions



Built-in Controls



Fan Curve



Description

Low noise ceiling mount ventilating fan rated for continuous running. Fan has been awarded ENERGY STAR® Most Efficient in 2013. It is certified by the Home Ventilating Institute (HVI), ASHRAE 62.2 (continuous and intermittent operation) and CA Title 24 compliant, and is evaluated by Underwriter Laboratories, conforming to both UL and cUL safety standards.

Motor/Blower

- Power rating of 120volts/60Hz
- DC brushless motor engineered to run continuously
- Motor equipped with thermal cutoff fuse
- Removable with permanently lubricated plug-in motor

Housing

- Galvanized steel body
- Detachable 6" diameter metal duct adapter
- Built-in backdraft damper
- Easy installation with expandable extension bracket

Grille

- Attractive design using ABS material
- Attaches directly to housing with torsion springs

Warranty

- 3-year limited warranty

Features

- Green and amber LED indicator lights to show continuous low speed and full speed modes
- For ceiling mount only, airflow of 130 CFM ($\pm 10\%$), and < 0.3 sones at $0.1''$ static pressure
- Power consumption approximately 11.6 Watts with an efficiency rating approximately 11.2 CFM/Watt at $0.1''$ static pressure
- UL and cUL listed for tub/shower enclosure when used with GFCI-protected branch circuit wiring
- When motion is detected, fan runs at full speed (130 CFM). When user leaves, fan remains running at full speed until user-preset delay time has passed. Fan runs continuously at a user-preset lower level (0, 50, 70, 90 CFM)
- Adjustable delay time preset positions (0.5, 5, 15, 30, 45, 60 minutes)

DC Motor Technology

- Built-in soft start function to increase bearings' life
- Automatically powers off when the impeller is locked abnormally

Specifications

SMT130M	6" Duct (Standard)							
	Continuous Low Speed						Full Speed	
Fan Speed								
Static Pressure (Inches w.g.)	0.1	0.25	0.1	0.25	0.1	0.25	0.1	0.25
Air Flow (CFM)	50	49	70	68	90	88	130	124
Sones	< 0.3	0.7	< 0.3	0.7	< 0.3	0.7	< 0.3	0.7
Power Consumption (Watts)	5.6	10.7	6.9	12.0	8.0	14.0	11.6	20.0
Energy Efficiency (CFM/Watt)	8.9	4.5	10.1	5.6	11.2	6.2	11.2	6.2
Current (Amps)	0.44 Max							
Power Rating (V/Hz)	120/60							