

	4" Oval Duct: 80 CFM/0.6 Sones @ 0.1 SP, 8.5 Watts 66 CFM/1.1 Sones @ 0.25 SP, 10.9 Watts		
	3" Round Duct: 70 CFM/0.9 Sones @ 0.1 SP, 10.5 Watts 57 CFM/1.5 Sones @ 0.25 SP, 12.0 Watts		

Description

Low noise ceiling or wall mount ventilating fan, rated for continuous running. ENERGY STAR® qualified. HVI, UL and cUL certified to comply with ASHRAE 62.2 local and whole building continuous and intermittent operation. Meets CA Title 24 and CALGreen requirements.

Motor/Blower

- Power rating of 120 volts/60 Hz
- DC brushless motor engineered to run continuously
- Motor equipped with thermal cutoff fuse
- Removable with permanently lubricated motor

Housing

- Galvanized steel body
- Detachable 4" oval metal duct adapter
- Built-in backdraft damper
- Includes 4" oval duct to 3" round duct reducer
- Easy installation

Grille

- Attractive design using ABS material
- Attaches directly to housing with torsion springs

LED Indicator

- Turn the power switch on/off to operate on/off. LED indicator will be green when power is on

Warranty

- 3-year limited warranty

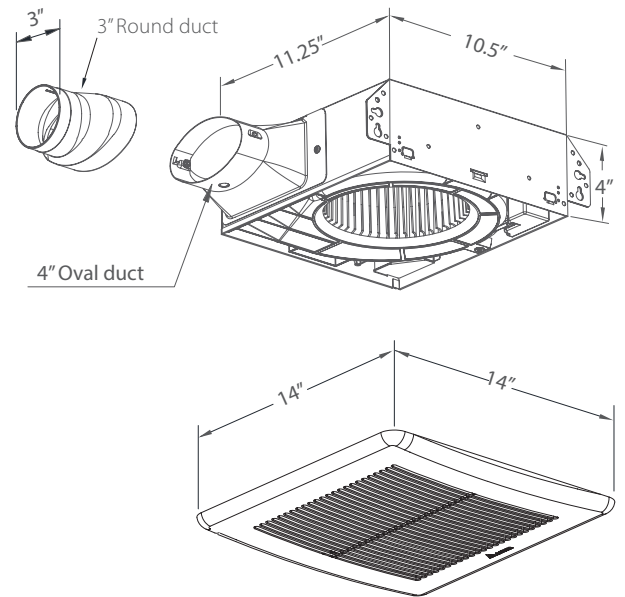
Feature

- Green LED indicator.
- Airflow of 80 CFM (±10%) and 0.6 Sones at 0.1 static pressure
- Power consumption approximately 8.5 Watts with an efficiency rating approximately 9.4 CFM/Watt
- UL and cUL listed for tub/shower enclosure when used with GFCI-protected branch circuit wiring

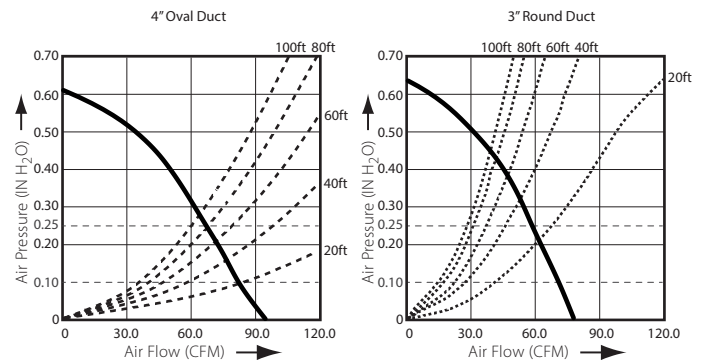
DC Motor Technology

- Built-in soft start function to increase bearings' life
- Automatically powers OFF when the impeller is locked abnormally

SLM80 Dimensions



Fan Curve SLM80



SLM80	4" oval duct		3" round duct	
Static Pressure (inches w.g.)	0.1	0.25	0.1	0.25
Air Flow (CFM)	80	66	70	57
Sones	0.6	1.1	0.9	1.5
Power Consumption (Watts)	8.5	10.9	10.5	12.0
Energy Efficiency (CFM/Watt)	9.4	6.0	6.6	4.7
Current (Amps)	0.26 Max			
Power Rating (V/Hz)	120/60			

Model	Quantity	Comments	Project:
			Location:
			Architect:
			Engineer:
			Contractor:
			Submitted by:
			Date: