



	<p><b>4" Duct (Standard):</b> 80 CFM/&lt;0.3 Sones @ 0.1 SP, 8.2 Watts 65 CFM/0.5 Sones @ 0.25 SP, 10.8 Watts</p>		
--	---	--	--

**Description**

Low noise ceiling mount ventilating fan rated for continuous running. Fan has been awarded ENERGY STAR® Most Efficient in 2014. It is HVI, UL, and cUL certified, and can be used to comply with ASHRAE 62.2 (local and whole building continuous and intermittent operation), CA Title 24, and CALGreen requirements.

**Motor/Blower**

- Power rating of 120 volts/60Hz
- DC brushless motor engineered to run continuously
- Motor equipped with thermal cutoff fuse.
- Removable with permanently lubricated plug-in motor

**Housing**

- Galvanized steel body
- Detachable 4" diameter metal duct adapter
- Built-in backdraft damper
- Easy installation with expandable extension bracket

**Grille**

- Attractive design using ABS material
- Attaches directly to housing with torsion springs

**LED Indicator**

- Turn the power switch on/off to operate on/off.  
LED indicator will be green when power is on

**Warranty**

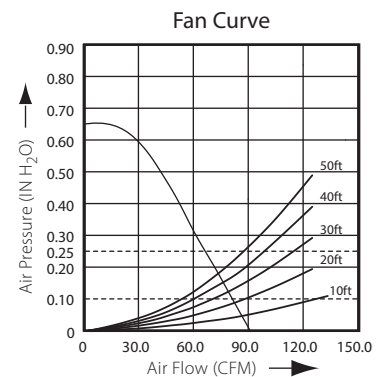
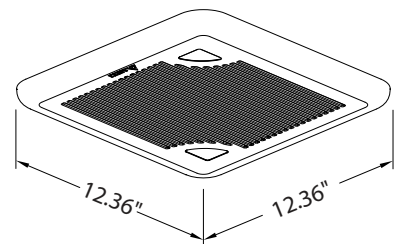
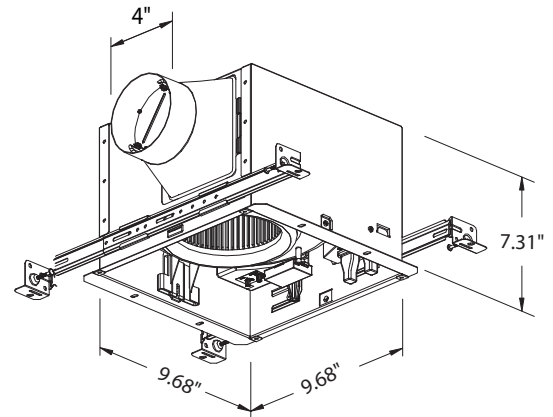
- 3-year limited warranty.

**Features**

- For ceiling mount only, airflow of 80 CFM (±10%) and <0.3 Sones at 0.1" static pressure
- Power consumption approximately 8.2 Watts with an efficiency rating approximately 9.8 CFM/Watt at 0.1" static pressure
- Duct diameter no less than 4"
- UL and cUL listed for tub/shower enclosure when used with GFCI-protected branch circuit wiring

**DC Motor Technology**

- Built-in soft start function to increase bearings' life.
- Automatically powers OFF when impeller is locked abnormally.



BreezSignature SIG80	4" Duct (Standard)	
Static Pressure (inches w.g.)	0.1	0.25
Air Flow (CFM)	80	65
Sones	<0.3	0.5
Power Consumption (Watts)	8.2	10.8
Energy Efficiency (CFM/Watt)	9.8	6.0
Current (Amps)	0.30 Max	
Power Rating (V/Hz)	120 / 60	

Model	Quantity	Comments	Project:
			Location:
			Architect:
			Engineer:
			Contractor:
			Submitted by:
			Date: