



(Fan/LED Light/Night-Light - 110 CFM)

	4" Duct (Standard): 110 CFM/0.5 Sones @ 0.1 SP, 13.1 Watts 94 CFM/0.8 Sones @ 0.25 SP, 15.3 Watts		
--	--	--	--

Description

Low noise ceiling mount ventilating fan/LED Light/Night-Light rated for continuous running. ENERGY STAR® Most Efficient 2014. HVI, UL and cUL certified to comply with ASHRAE 62.2 local and whole building continuous and intermittent operation. Meets CA Title 24 requirements.

Motor/Blower

- Power rating of 120 volts/60Hz
- DC brushless motor engineered to run continuously
- Motor equipped with thermal cutoff fuse
- Removable with permanently lubricated plug-in motor

Housing

- Galvanized steel body
- Detachable 4" diameter metal duct adapter
- Built-in backdraft damper
- Easy installation with expandable extension bracket

Grille

- Attractive design using ABS material
- Attaches directly to housing with torsion springs

Light

- (1) 13-Watt LED main light included
- (1) 2-Watt LED night light included
- Main light output 800 Lumens, 2700K

LED Indicator

- Turn the power switch on/off to operate on/off. LED indicator will be green when power is on

Warranty

- 3-year limited warranty.

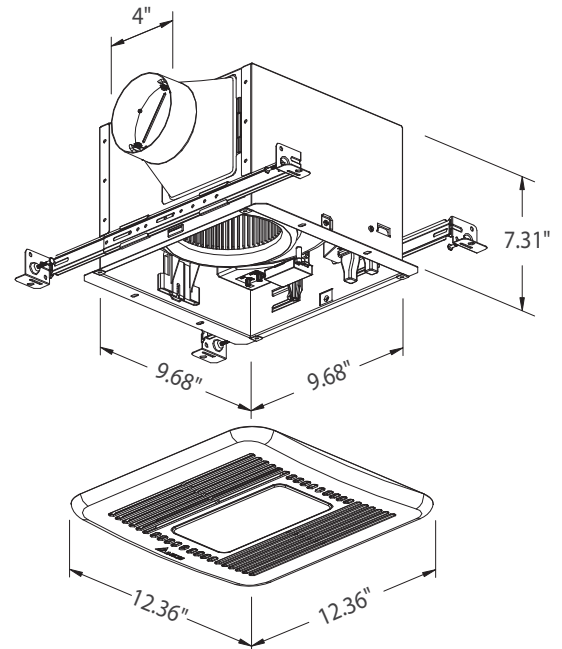
Features

- For ceiling mount only, airflow of 110 CFM (±10%) and 0.5 Sones at 0.1" static pressure

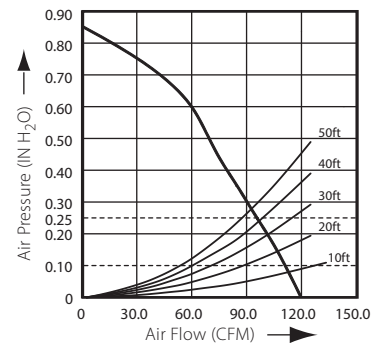
- Power consumption approximately 13.1 Watts with an efficiency rating approximately 8.6 CFM/Watt at 0.1" static pressure.
- Duct diameter no less than 4"
- UL and cUL listed for tub/shower enclosure when used with GFCI-protected branch circuit wiring

DC Motor Technology

- Built-in soft start function to increase bearings' life
- Automatically powers OFF when impeller is locked abnormally



Fan Curve



BreezSignature SIG110LED	4" Duct (Standard)	
Static Pressure (inches w.g.)	0.1	0.25
Air Flow (CFM)	110	94
Sones	0.5	0.8
Power Consumption (Watts)	13.1	15.3
Energy Efficiency (CFM/Watt)	8.6	6.3
Current (Amps)	0.38 Max	
Power Rating (V/Hz)	120 / 60	
LED Main Light (Watt)	13	
LED Night Light (Watt)	2	

Model	Quantity	Comments	Project:
			Location:
			Architect:
			Engineer:
			Contractor:
			Submitted by:
			Date: