



4" Duct (Standard):

50 CFM / <0.3 Sones @ 0.1 SP, 4.5 Watts
38 CFM / 0.7 Sones @ 0.25 SP, 5.8 Watts



Description

Low noise ceiling mount ventilating fan/light combo rated for continuous running. Fan has been awarded ENERGY STAR® Most Efficient in 2014. It is HVI, UL, and cUL certified, and can be used to comply with ASHRAE 62.2 (local and whole building continuous operation), CA Title 24, and CALGreen requirements.

Motor/Blower

- Power rating of 120 volts/60Hz
- DC brushless motor engineered to run continuously
- Motor equipped with thermal cutoff fuse.
- Removable with permanently lubricated plug-in motor

Housing

- Galvanized steel body
- Detachable 4" diameter duct adapter
- Built-in backdraft damper
- Easy installation

Grille

- Attractive design using ABS material
- Attached to housing with included grille bracket

Light

- (1) GU24 26-Watt CFL lamp included
- Main light output 1850 Lumens, 2700K

LED Indicator

- Turn the power switch on/off to operate on/off. LED indicator will be green when power is on.

Warranty

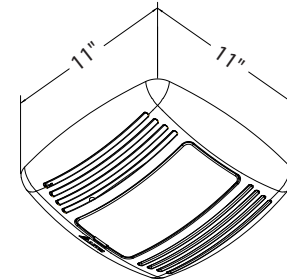
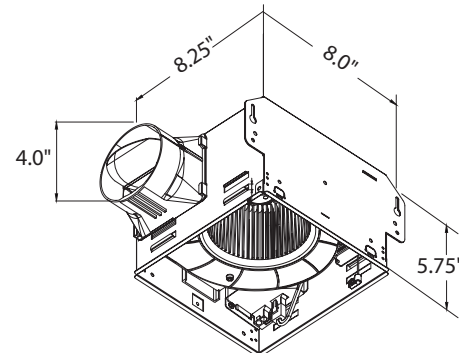
- 3-year limited warranty

Features

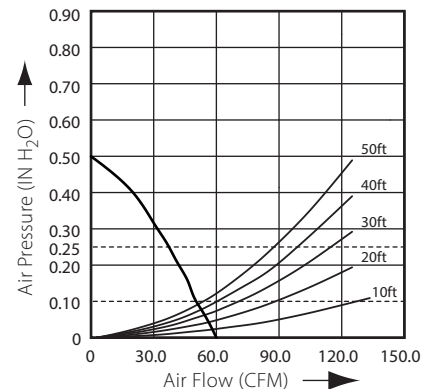
- For ceiling mount only, airflow of 50 CFM (±10%) and <0.3 Sones at 0.1" static pressure
- Power consumption approximately 4.5 Watts with an efficiency rating approximately 11.1 CFM/Watt at 0.1" static pressure
- UL and cUL listed for tub/shower enclosure when used with GFCI-protected branch circuit wiring

DC Motor Technology

- Built-in soft start function to increase bearings' life
- Automatically powers off when the impeller is locked abnormally



Fan Curve



GreenBuilder GBR50L	4" Duct (Standard)	
Static Pressure (inches w.g.)	0.1	0.25
Air Flow (CFM)	50	38
Sones	<0.3	0.7
Power Consumption (Watts)	4.5	5.8
Energy Efficiency (CFM/Watt)	11.1	6.5
Current (Amps)	0.14 Max	
Power Rating (V/Hz)	120/60	

Model	Quantity	Comments	Project:
			Location:
			Architect:
			Engineer:
			Contractor:
			Submitted by:
			Date: