



(Fan/Light Combo - 100 CFM)



**4" Duct (Standard):**  
 100 CFM /1.4 Sones @ 0.1 SP, 13.9 Watts  
 76 CFM /1.3 Sones @ 0.25 SP, 11.9 Watts



**Description**

Low noise ceiling mount ventilating fan/light combo rated for continuous running. Fan has been awarded ENERGY STAR® Most Efficient in 2014. It is HVI, UL, and cUL certified, and can be used to comply with ASHRAE 62.2 (intermittent operation), CA Title 24, and CALGreen requirements.

**Motor/Blower**

- Power rating of 120 volts/60Hz
- DC brushless motor engineered to run continuously
- Motor equipped with thermal cutoff fuse.
- Permanently lubricated motor

**Housing**

- Galvanized steel body
- Detachable 4" diameter duct adapter
- Built-in backdraft damper
- Easy installation

**Grille**

- Attractive design using ABS material
- Attached to housing with included grille bracket

**Light**

- (1) GU24 26-Watt CFL lamp included
- Main light output 1850 Lumens, 2700K

**LED Indicator**

- Turn the power switch on/off to operate on/off. LED indicator will be green when power is on

**Warranty**

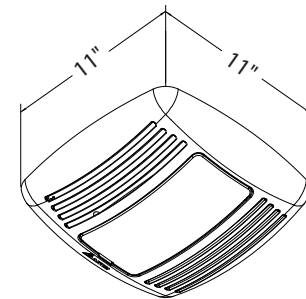
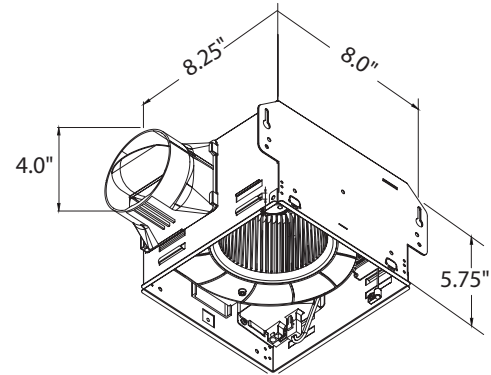
- 3-year limited warranty

**Features**

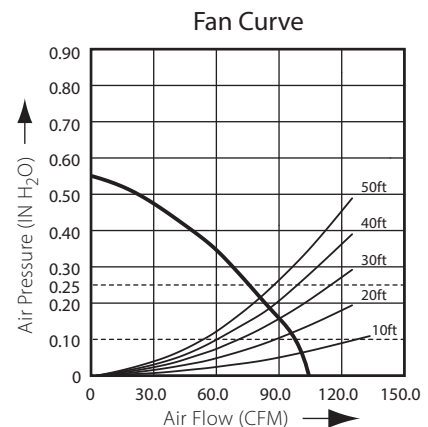
- For ceiling mount only, air flow of 100 CFM (±10%) and 1.4 Sones at 0.1" static pressure
- Power consumption approximately 13.9 Watts with an efficiency rating approximately 7.1 CFM/Watt at 0.1" static pressure
- UL and cUL listed for tub/shower enclosure when used with GFCI-protected branch circuit wiring

**DC Motor Technology**

- Built-in soft start function to increase bearings' life
- Automatically powers off when the impeller is locked abnormally



GreenBuilder GBR100L	4" Duct (Standard)	
	Static Pressure (inches w.g.)	0.1
Air Flow (CFM)	100	76
Sones	1.4	1.3
Power Consumption (Watts)	13.9	11.9
Energy Efficiency (CFM/Watt)	7.1	6.3
Current (Amps)	0.14 Max	
Power Rating (V/Hz)	120/60	
Lamp (Watts)	26	



Model	Quantity	Comments	Project:
			Location:
			Architect:
			Engineer:
			Contractor:
			Submitted by:
			Date: