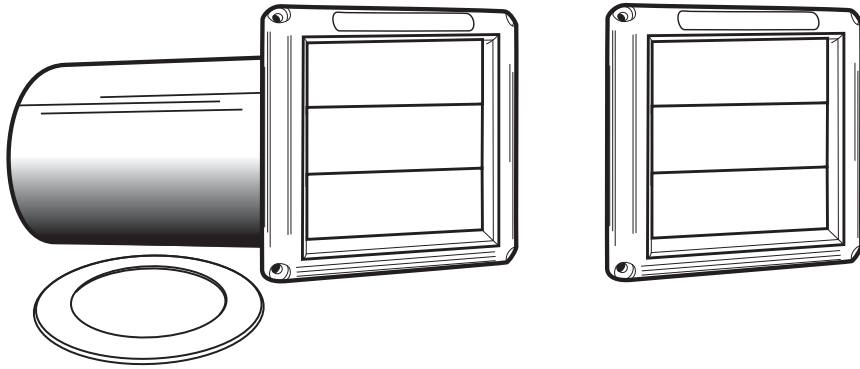


### Bathroom Vent - 3" (7.6 cm) Supurr-Vent<sup>®</sup> Louvered Vent Hood, pipe & collar



SVHAW<sub>3</sub>, SVHAB<sub>3</sub>, SVHUW<sub>3</sub>, SVHUB<sub>3</sub>

HS<sub>3</sub>W/48, HS<sub>3</sub>B/48

Model No.	Description	Color
HS <sub>3</sub> W/48	Hood	White
HS <sub>3</sub> B/48	Hood	Brown
SVHAW <sub>3</sub>	Hood/pipe assem.	White
SVHAB <sub>3</sub>	Hood/pipe assem.	Brown
SVHUW <sub>3</sub>	Hood/pipe unassem.	White
SVHUB <sub>3</sub>	Hood/pipe unassem.	Brown

### Performance Data

for all plastic molded 3" (7.6 cm) Bath Fan Vents

#### Hood

- Polypropylene
- Melting point: 325° F+ (163° C approx.)
- UV Inhibitor added

#### Pipe

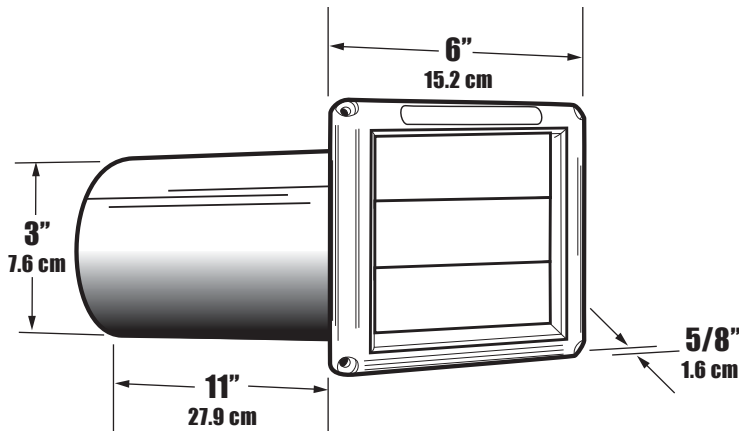
- Aluminum

#### Collar

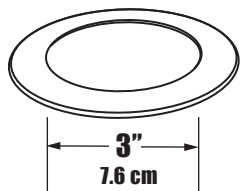
- Styrene

### General Information

- 3" (7.6 cm) dia. opening
- quick, easy installation
- louvered construction helps prevent wind and rain from entering vent
- opens with ease for maximum airflow
- durable weather resistant
- curved louvers for quieter operation

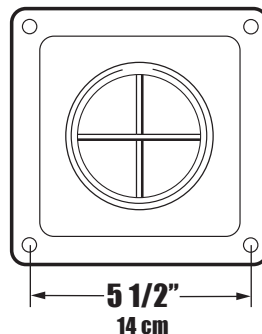


Hood Dia.	CFM	p/d in/w.c.
3" (7.6 cm)	50	.09
3" (7.6 cm)	75	.13
3" (7.6 cm)	100	.2
3" (7.6 cm)	125	.23
3" (7.6 cm)	150	.20



Plastic collar

Rear View



Molded for easy connection of pipe

Side View

